



US00D890616S

(12) **United States Design Patent**  
**Burns**

(10) **Patent No.:** **US D890,616 S**

(45) **Date of Patent:** **\*\* Jul. 21, 2020**

(54) **COMPACT ALIGNMENT TOOL FOR ELECTRICAL DEVICES**

(71) Applicant: **John Martin Burns**, Harbor City, CA (US)

(72) Inventor: **John Martin Burns**, Harbor City, CA (US)

(\*\*) Term: **15 Years**

(21) Appl. No.: **29/690,213**

(22) Filed: **May 7, 2019**

(51) **LOC (12) Cl.** ..... **10-04**

(52) **U.S. Cl.**  
USPC ..... **D10/65; D8/14**

(58) **Field of Classification Search**  
USPC ..... D8/14, 45, 71; D10/64, 65, 69  
CPC ..... H02G 3/00; H02G 2200/30; G01C 9/26;  
G01C 9/28; Y10S 33/01

See application file for complete search history.

(56) **References Cited**

**U.S. PATENT DOCUMENTS**

2,733,513	A *	2/1956	Gatineau	.....	H02G 3/12 33/528
2,990,172	A *	6/1961	Gianotta	.....	H02G 3/125 269/50
D250,255	S *	11/1978	Douglas	.....	D10/64
4,888,880	A *	12/1989	Parker	.....	G01C 9/28 33/645

5,348,274	A *	9/1994	Breen	.....	H02G 1/00 269/3
6,209,214	B1 *	4/2001	Talavera	.....	G01C 9/28 33/528
D483,682	S *	12/2003	Cahill	.....	D10/78
7,032,297	B2 *	4/2006	Cahill	.....	H01R 43/22 29/739
8,099,878	B2 *	1/2012	Guzallis	.....	H02G 1/00 33/528
D736,105	S *	8/2015	Hoyt	.....	D10/64
D754,498	S *	4/2016	Robinson	.....	D8/14

\* cited by examiner

*Primary Examiner* — Philip S Hyder

(74) *Attorney, Agent, or Firm* — Barry Choobin; Patent 360

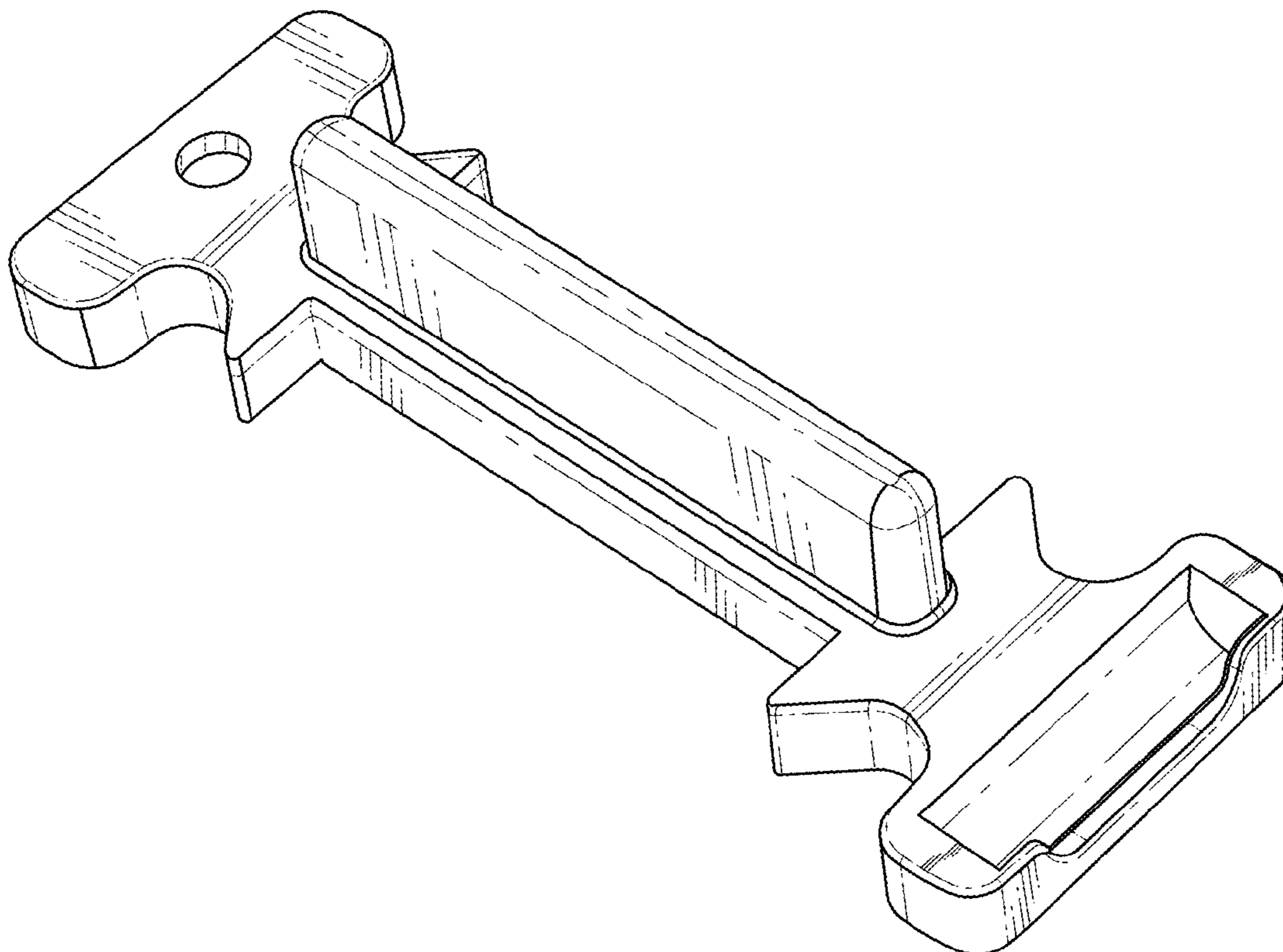
(57) **CLAIM**

The ornamental design for a compact alignment tool for electrical device, as shown and described herein.

**DESCRIPTION**

FIG. 1 is a perspective view of a compact alignment tool for electrical devices, according to the new design. FIG. 2 is a front view of the design of FIG. 1. FIG. 3 is a right view of the design of FIG. 1. FIG. 4 is a left view of the design of FIG. 1. FIG. 5 is a rear view of the design of FIG. 1; and, FIG. 6 is a top view of the design of FIG. 1.

**1 Claim, 4 Drawing Sheets**



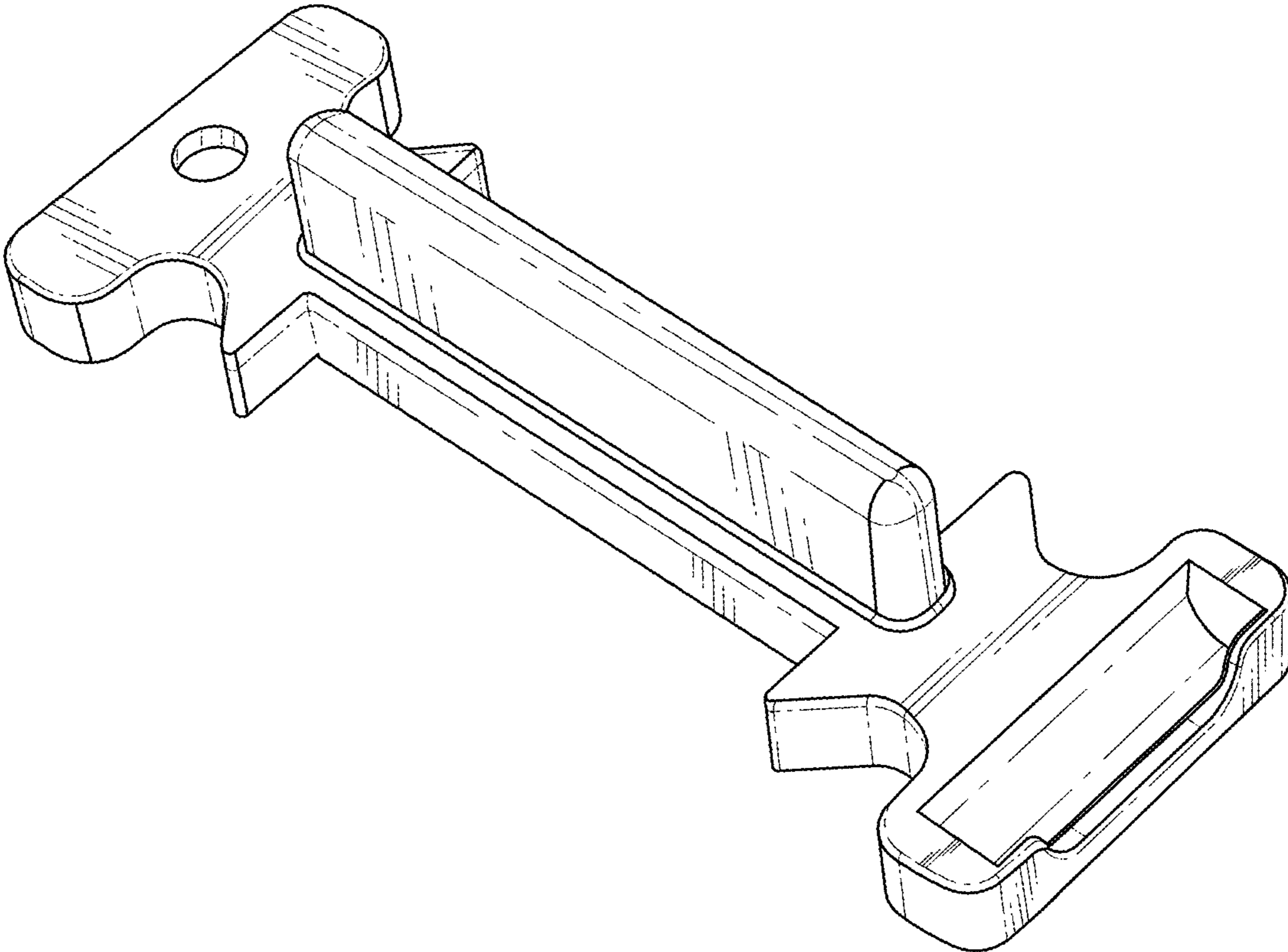


FIG. 1

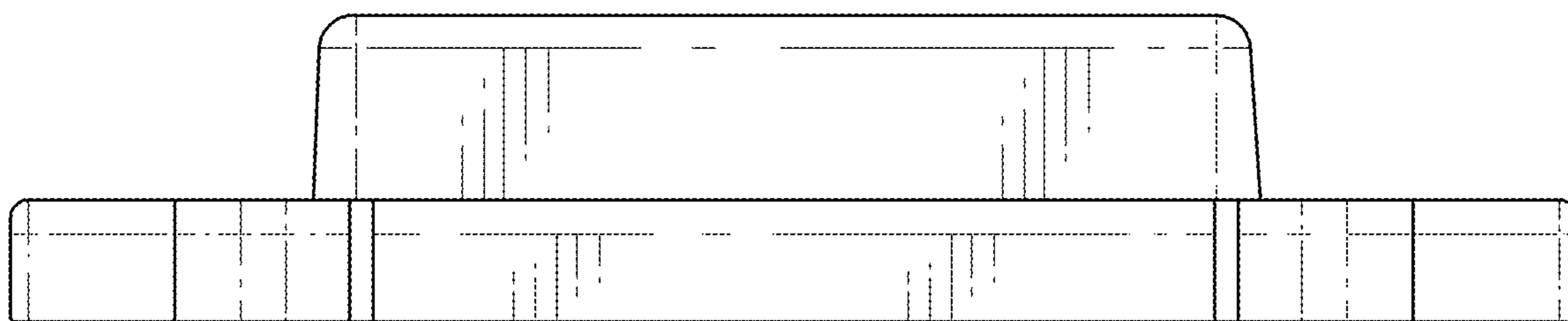


FIG. 2

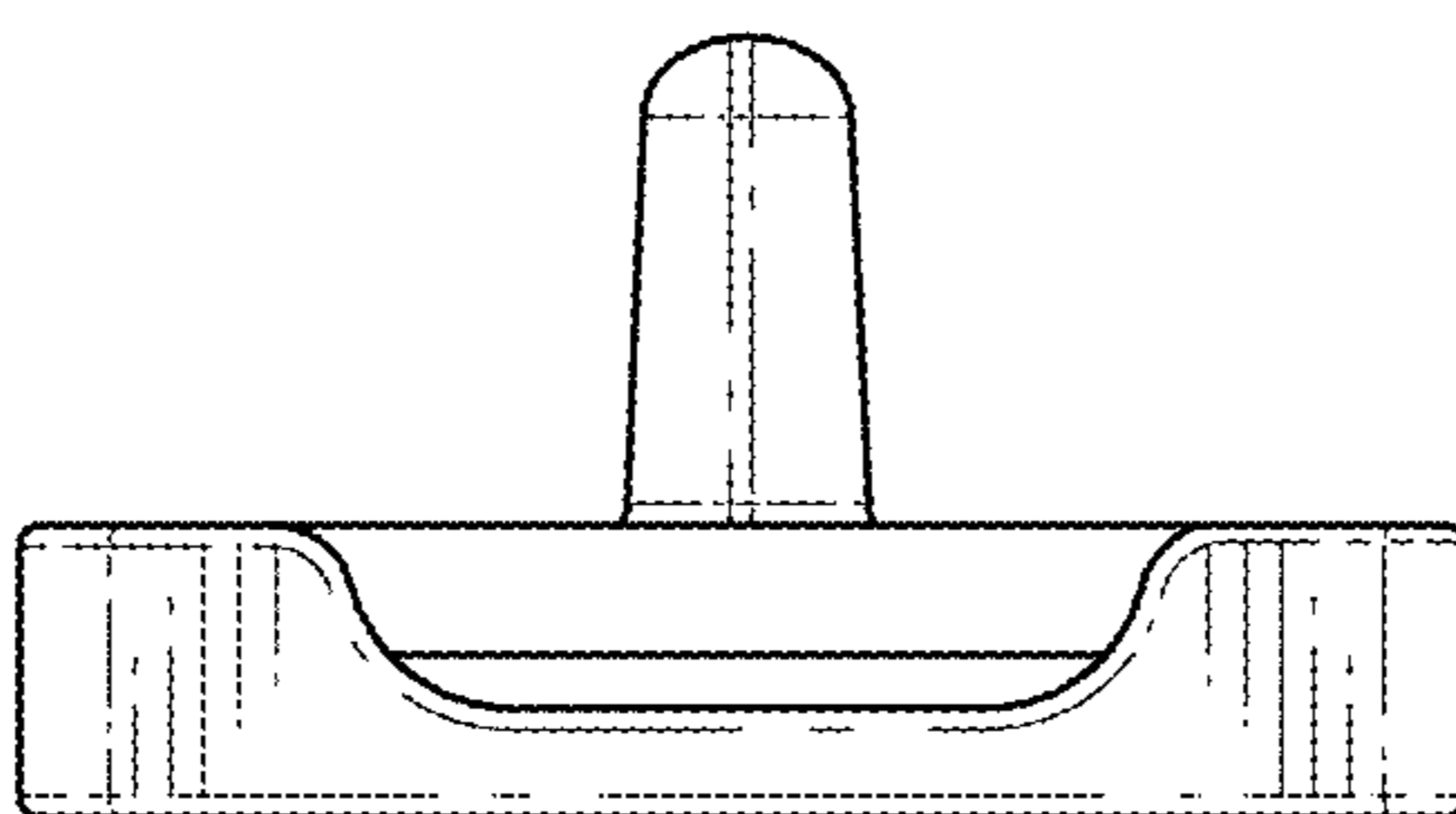


FIG. 3

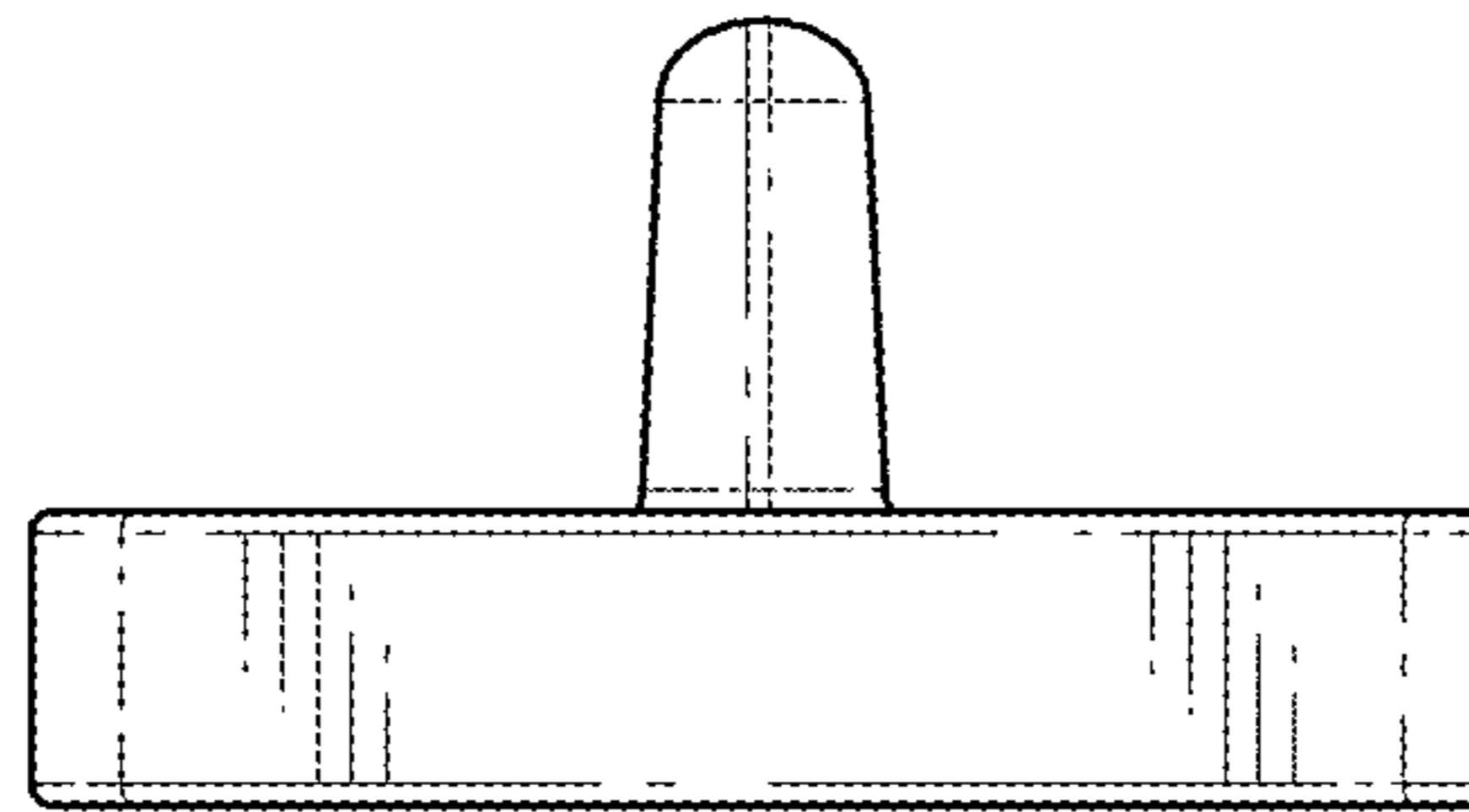


FIG. 4

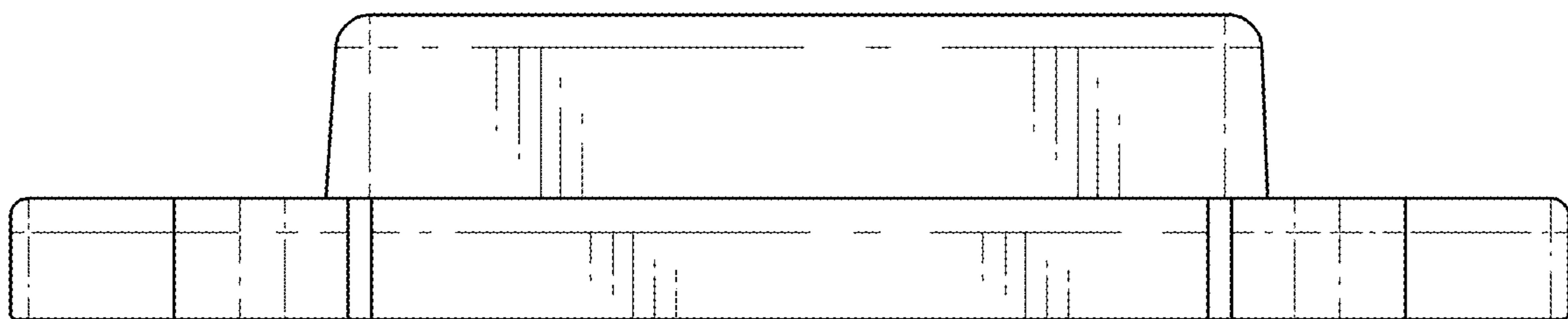


FIG. 5

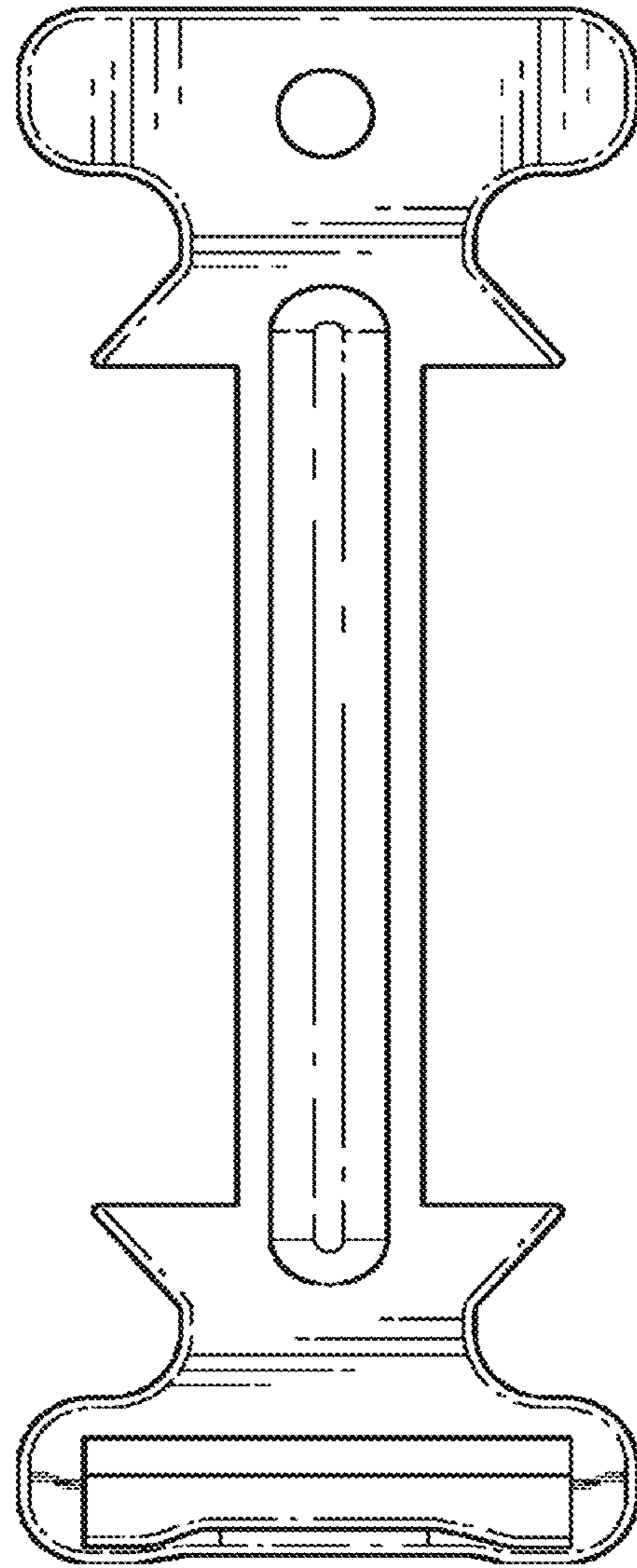


FIG. 6