



US00D890615S

(12) **United States Design Patent**
Kimball et al.

(10) **Patent No.:** **US D890,615 S**

(45) **Date of Patent:** **** Jul. 21, 2020**

(54) **APPLIANCE LOCATION MARKER**

D853,937 S * 7/2019 Hubley D12/217

(71) Applicant: **Brooks Equipment Company, LLC**,
Charlotte, NC (US)

* cited by examiner

(72) Inventors: **Roy Charles Kimball**, Belmont, NC
(US); **Scott Kincaid**, Iron Station, NC
(US)

Primary Examiner — Antoine Duval Davis

(74) *Attorney, Agent, or Firm* — Parker Poe Adams &
Bernstein, LLP

(73) Assignee: **Brooks Equipment Company, LLC**,
Charlotte, NC (US)

(**) Term: **15 Years**

(21) Appl. No.: **29/674,495**

(22) Filed: **Dec. 21, 2018**

(51) **LOC (12) Cl.** **10-04**

(52) **U.S. Cl.**
USPC **D10/65; D12/217**

(58) **Field of Classification Search**
USPC D10/46, 64, 65; D12/217
CPC B60T 3/00
See application file for complete search history.

(57) **CLAIM**

The ornamental design for an appliance location marker, as shown and described.

DESCRIPTION

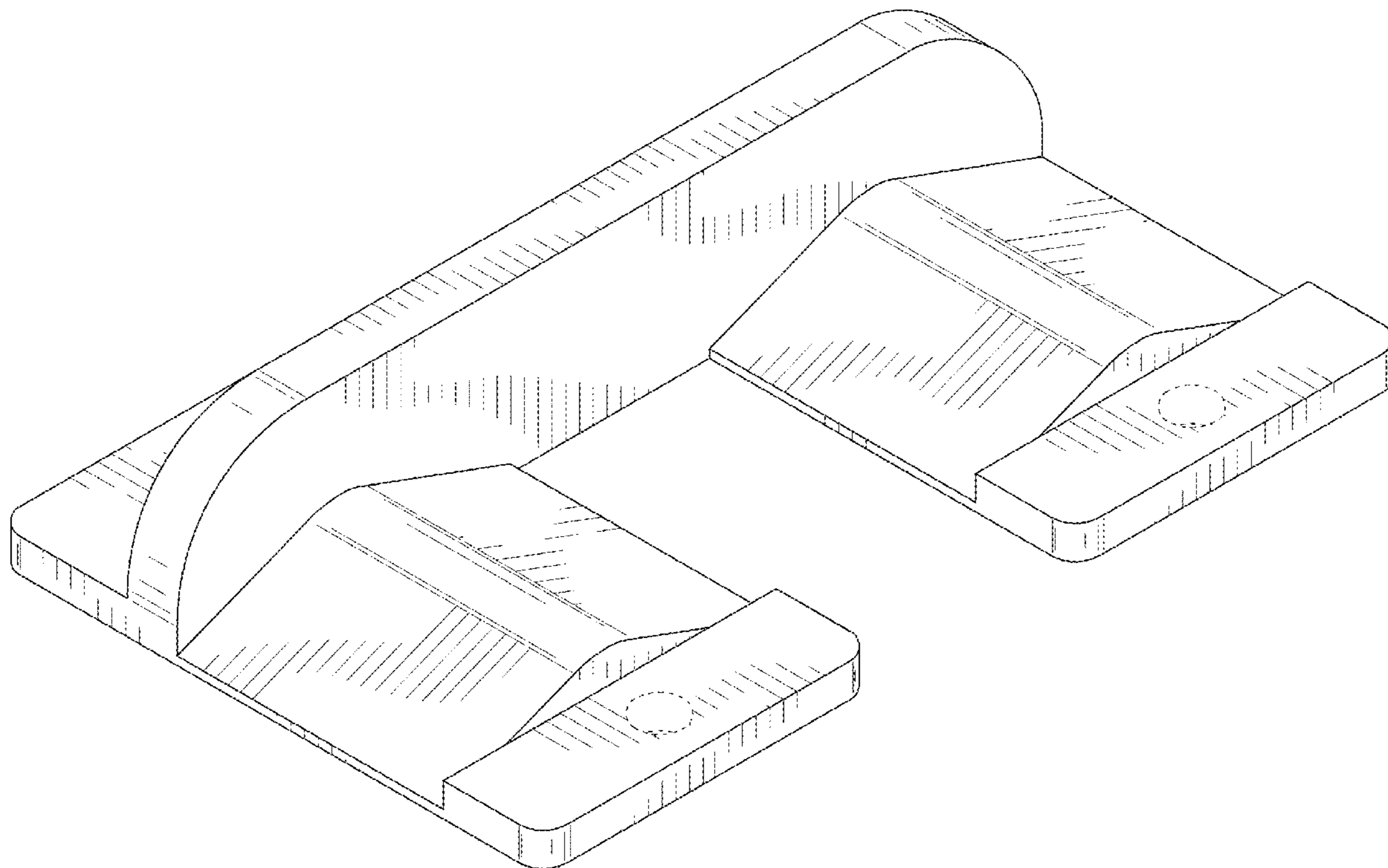
FIG. 1 is a perspective view of the present invention;
FIG. 2 is a front side elevation view thereof;
FIG. 3 is a back side elevation view thereof;
FIG. 4 is a left side elevation view thereof;
FIG. 5 is a right side elevation view thereof;
FIG. 6 is a top plan view thereof; and,
FIG. 7 is a bottom plan view thereof.
Any broken lines shown in the figures depict portions of the appliance location marker and form no part of the claimed design.

(56) **References Cited**

U.S. PATENT DOCUMENTS

- 5,887,462 A * 3/1999 Stone B60R 25/093
188/36
- D655,667 S 3/2012 Angus et al.
- D775,579 S * 1/2017 Hughes D12/217

1 Claim, 6 Drawing Sheets



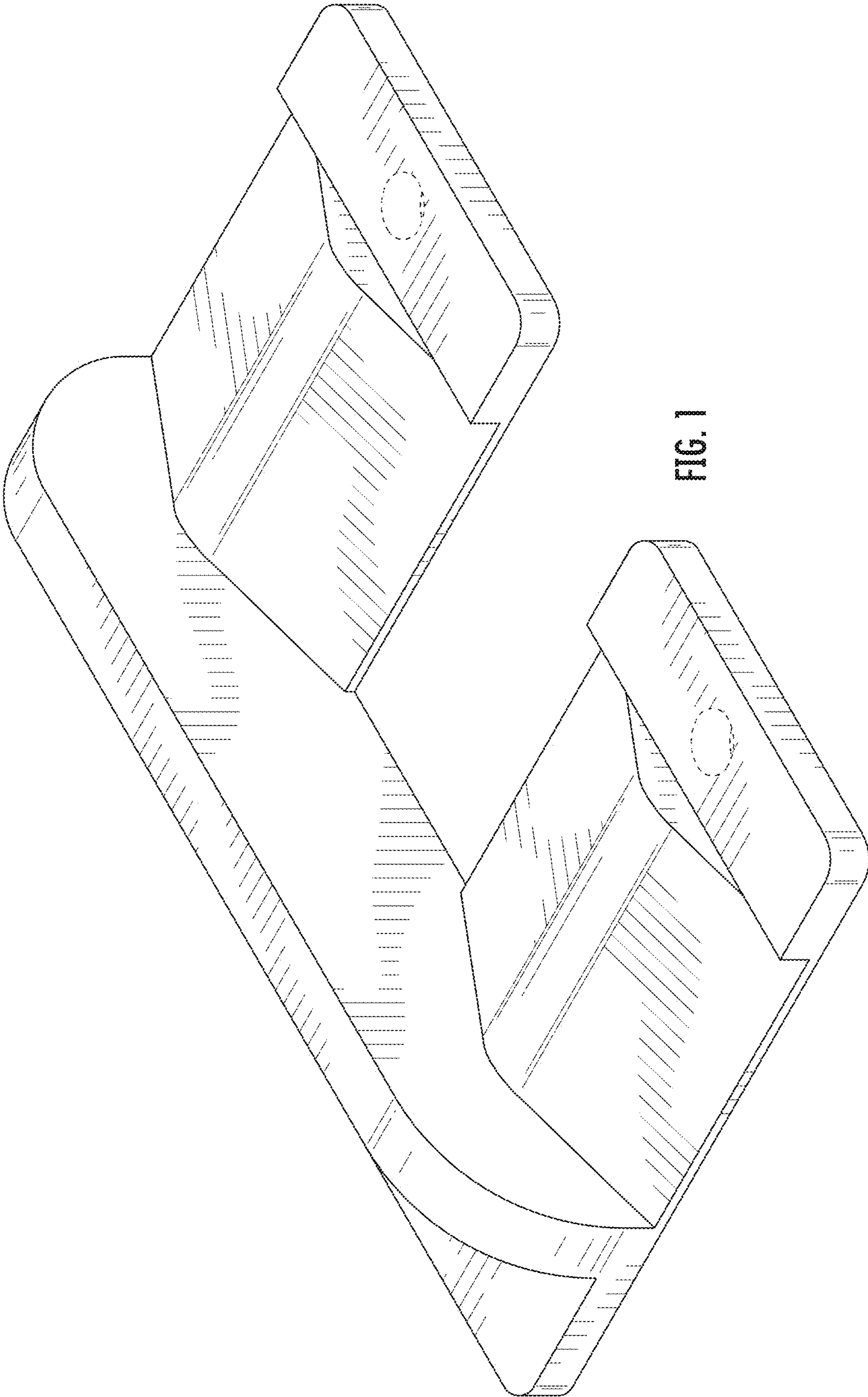


FIG. 1

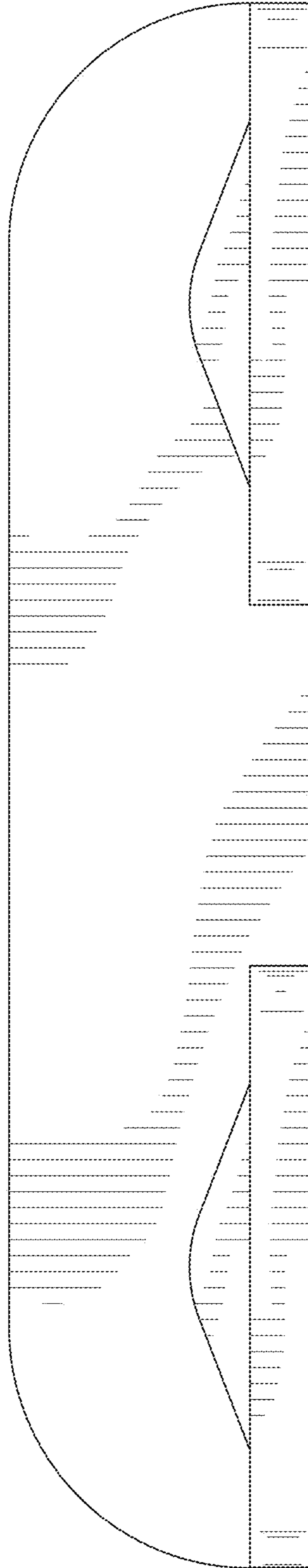


FIG. 2

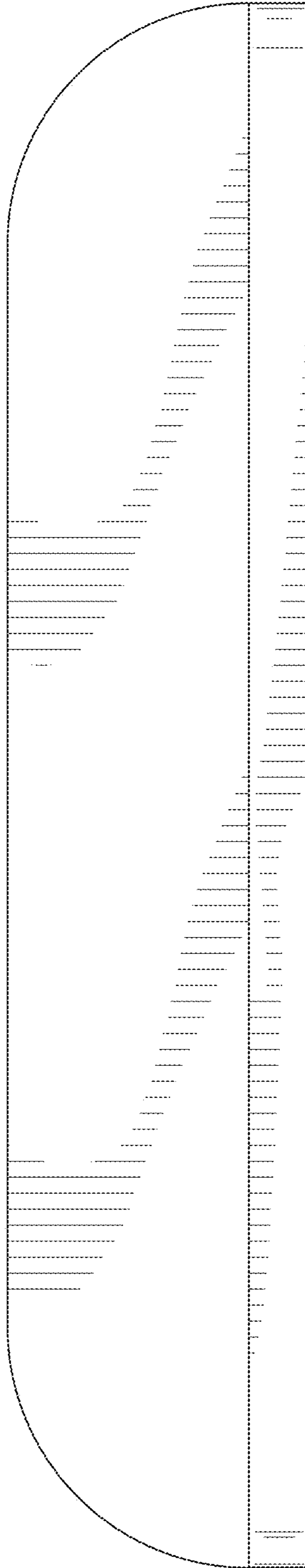


FIG. 3

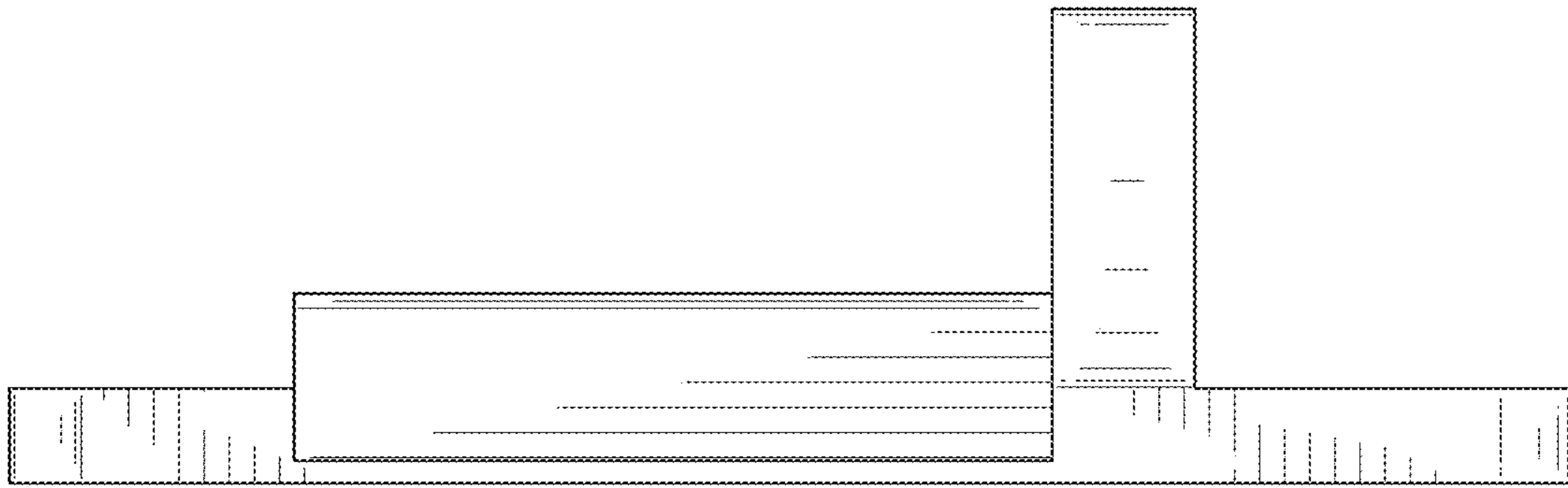


FIG. 4



FIG. 5

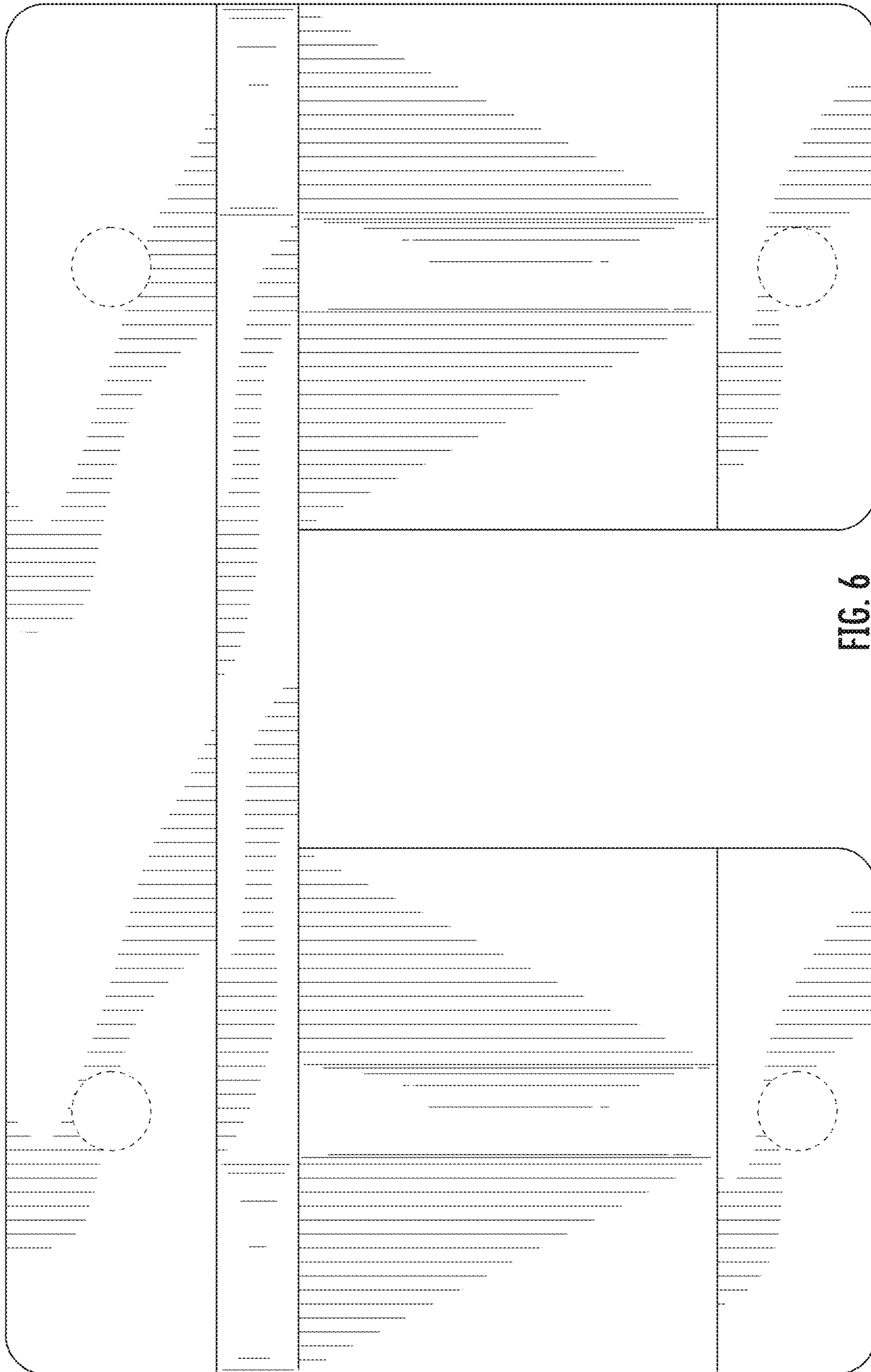


FIG. 6

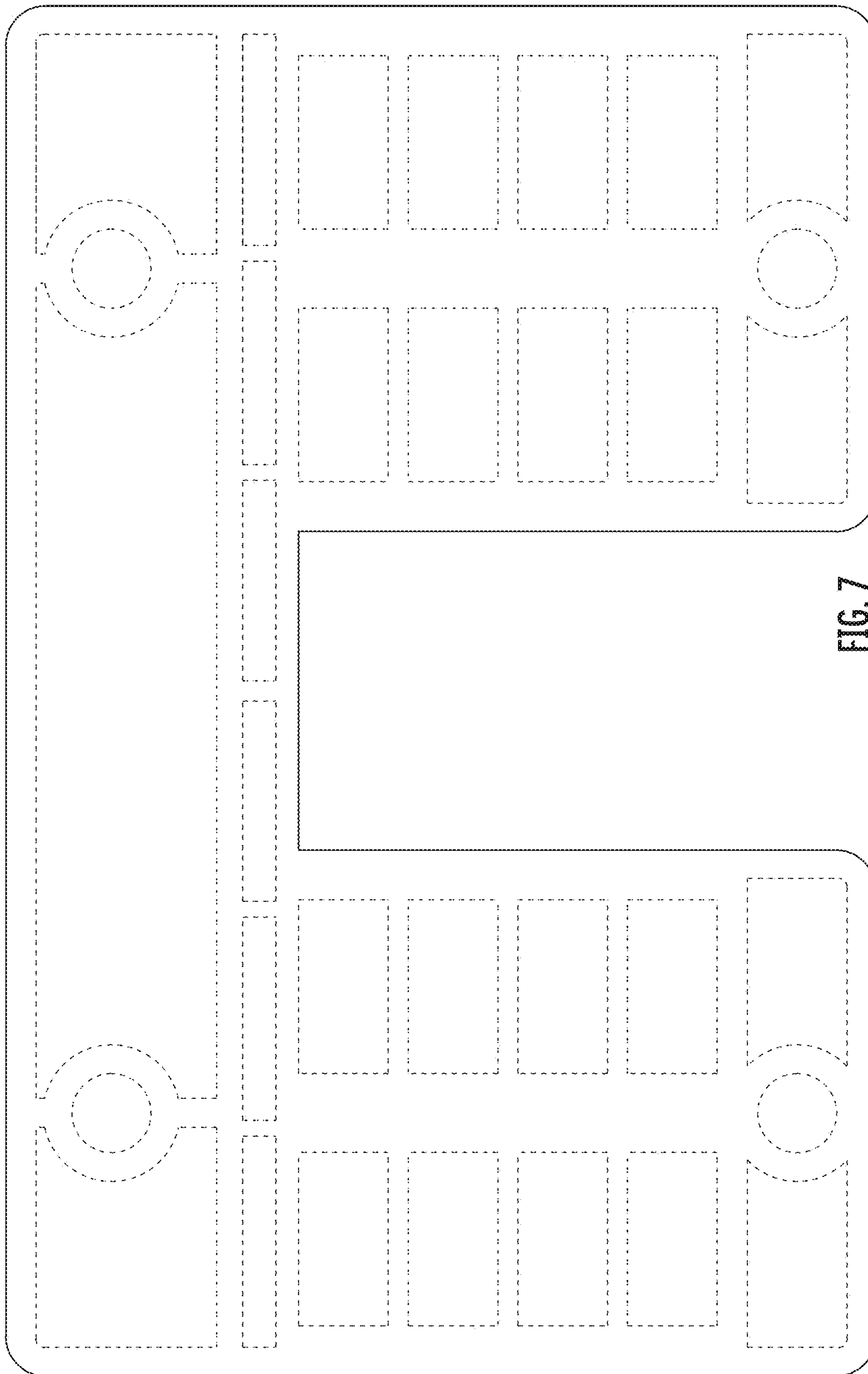


FIG. 7