



US00D890614S

(12) **United States Design Patent**
Smith

(10) **Patent No.: US D890,614 S**
(45) **Date of Patent: ** Jul. 21, 2020**

(54) **MEASURING CUP**

(71) Applicant: **CAMBRO MANUFACTURING COMPANY**, Huntington Beach, CA (US)
(72) Inventor: **Anthony Smith**, Long Beach, CA (US)
(73) Assignee: **CAMBRO MANUFACTURING COMPANY**, Huntington Beach, CA (US)

(**) Term: **15 Years**

(21) Appl. No.: **29/661,606**

(22) Filed: **Aug. 29, 2018**

(51) **LOC (12) Cl.** **10-04**

(52) **U.S. Cl.**
USPC **D10/46.2; D7/319**

(58) **Field of Classification Search**
USPC D10/46.2, 46.3; D24/116; D7/642, 643, D7/653, 664, 691, 509, 533, 535, 536, D7/316-319, 320-322, 688, 312, 395, D7/401.2, 689, 690, 692, 392, 393; 73/426
CPC G01F 19/00-007; A47G 21/04; A47J 43/288; A47J 19/12; A47J 43/27
See application file for complete search history.

(56) **References Cited**

U.S. PATENT DOCUMENTS

1,708,416 A * 4/1929 Herburger, Sr. A47G 19/12 222/566
D166,774 S * 5/1952 Russel D7/317
D203,852 S * 2/1966 Douglas D7/317
D227,142 S * 6/1973 Swett D7/319
D229,917 S * 1/1974 Swett D10/46.3
D236,314 S * 8/1975 Surgai D7/319

(Continued)

FOREIGN PATENT DOCUMENTS

HU 86577-0001 * 7/1997

OTHER PUBLICATIONS

Cambro Camwear 2Qt, Aug. 19, 2017, AceMart, <https://www.acemart.com/kitchen/weights-measure-portion-control/measuring-pitchers/cambro-200mccw135-camwear-2-qt-plastic-measure-pitcher/CAM200MCCW> (Year: 2017).*

(Continued)

Primary Examiner — Brett Miller
(74) *Attorney, Agent, or Firm* — George Bethel

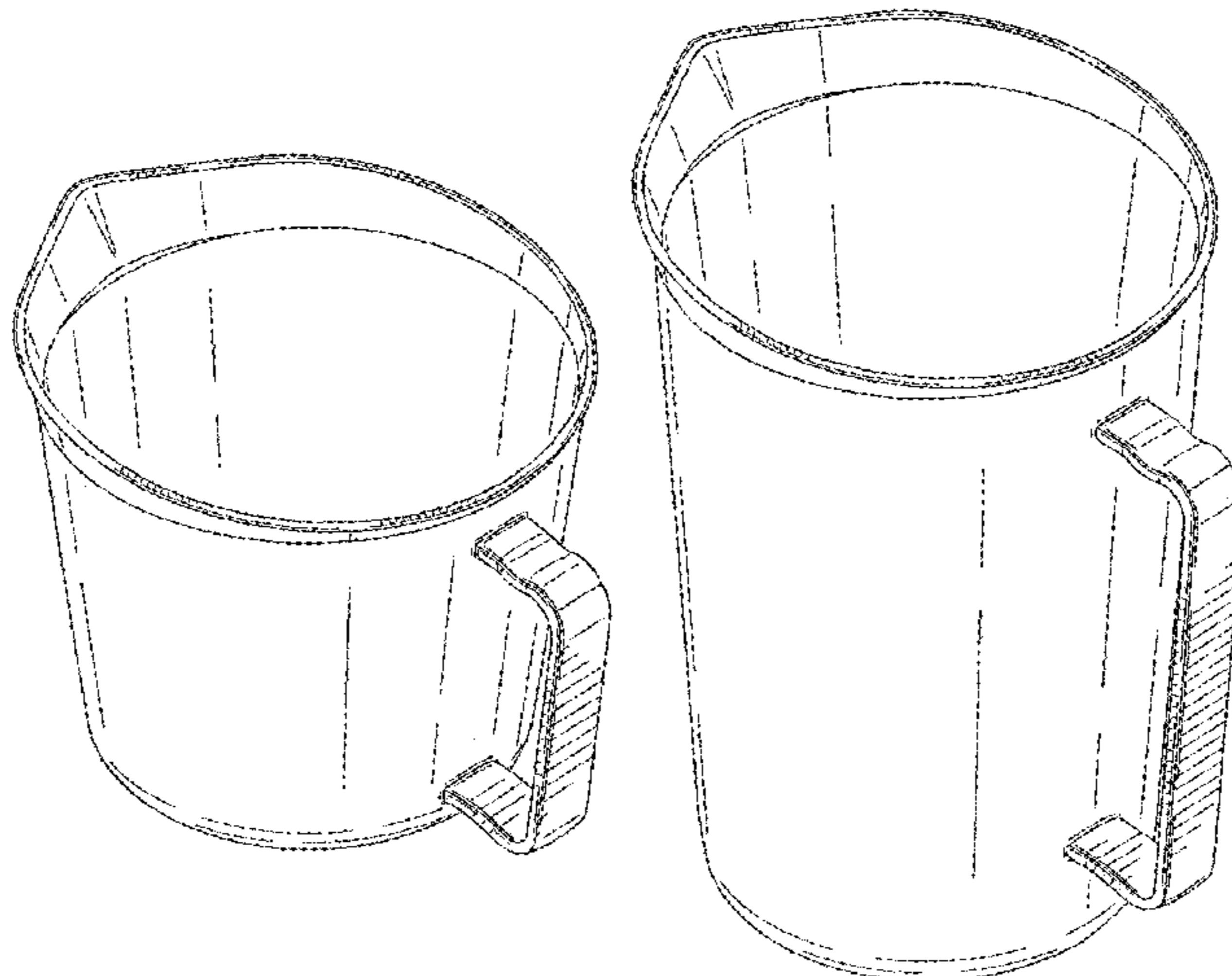
(57) **CLAIM**

I claim the ornamental design for a measuring cup, as shown and described.

DESCRIPTION

FIG. 1 is a perspective view of the measuring cup.
FIG. 2 is a left side elevation view.
FIG. 3 is a top plan view.
FIG. 4 is a front elevation view.
FIG. 5 is a bottom plan view.
FIG. 6 is a right side elevation view.
FIG. 7 is a rear side elevation view.
FIG. 8 is a sectional view to show the interior along lines 8-8 of FIG. 3.
FIG. 9 is a perspective view of an alternative embodiment.
FIG. 10 is a left side elevation view of the alternative embodiment.
FIG. 11 is a top plan view of the alternative embodiment.
FIG. 12 is a front elevation view of the alternative embodiment.
FIG. 13 is a top plan view of the alternative embodiment.
FIG. 14 is right side elevation view of the alternative embodiment.
FIG. 15 is a rear elevation view of the alternative embodiment; and,
FIG. 16 is a cross sectional view along lines 16-16 of FIG. 13 of the alternative embodiment.

1 Claim, 6 Drawing Sheets



(56)

References Cited

U.S. PATENT DOCUMENTS

4,010,934 A * 3/1977 McCord A47G 19/12
366/142
D246,413 S * 11/1977 Wildgen D7/319
D247,604 S * 3/1978 Wildgen D7/317
D248,917 S * 8/1978 Kikuchi D7/321
D250,869 S * 1/1979 Boelter D7/319
D268,726 S * 4/1983 Trombly D7/317
D270,602 S * 9/1983 Fritz D10/46.2
D283,584 S * 4/1986 Morin D7/317
D287,325 S * 12/1986 Schmidt D10/46.2
D323,093 S * 1/1992 Picozza D7/319
5,154,306 A * 10/1992 Wyatt A47G 19/12
220/770
D379,732 S * 6/1997 Jeppesen D7/318
D395,784 S * 7/1998 Michaeli D7/318
D595,534 S * 7/2009 Mankowitz D7/317
D678,006 S * 3/2013 Suess D10/46.2
D678,007 S * 3/2013 Suess D10/46.2
D814,243 S * 4/2018 Pape D7/536
D846,410 S * 4/2019 Anzalone D10/46.2
D852,065 S * 6/2019 Rivkin D10/46.2
D872,539 S * 1/2020 Hewitt D7/536

OTHER PUBLICATIONS

Rubbermaid Commercial Products, Bouncer Measuring Cup 4-Quart,
Sep. 26, 2005, Amazon, <https://www.amazon.com/Rubbermaid-Commercial-Products-Measuring-FG321800CLR/dp/B000BC5GME> (Year: 2005).*

Winco, Winco Polycarbonate Measuring Cup, Apr. 15, 2010, Amazon, <https://www.amazon.com/dp/B003YP294I> (Year: 2010).*

* cited by examiner

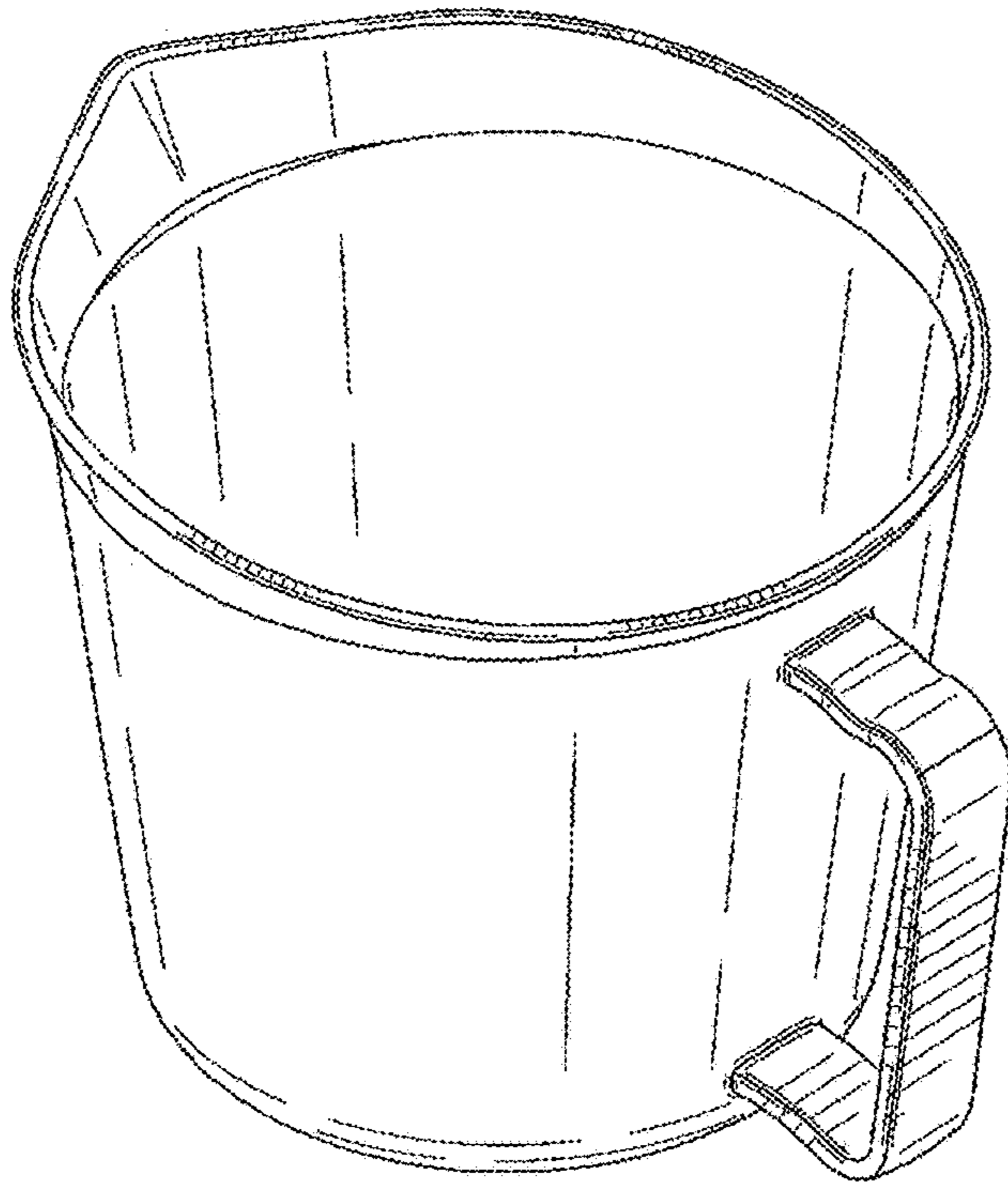


FIG. 1

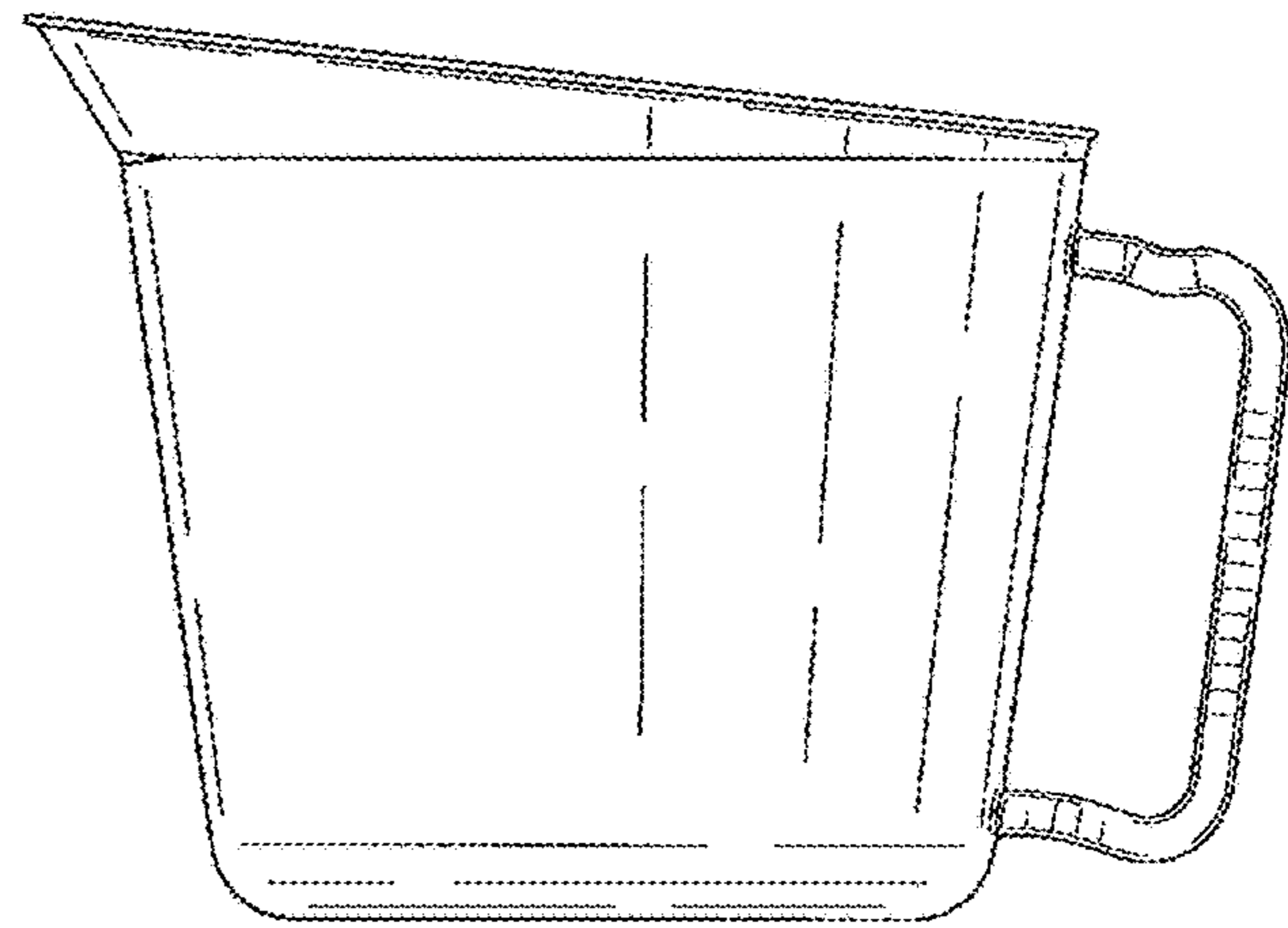


FIG. 2

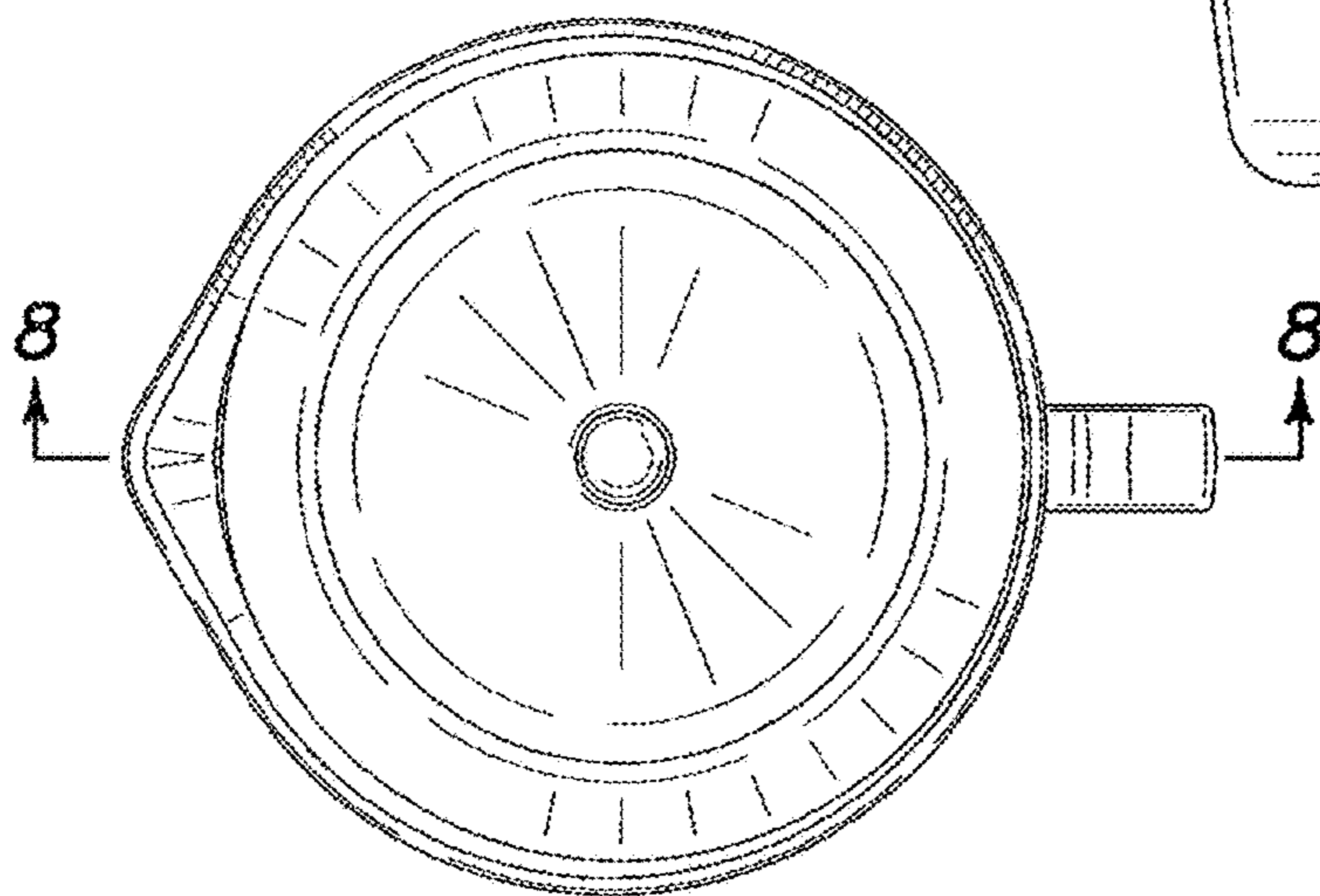


FIG. 3

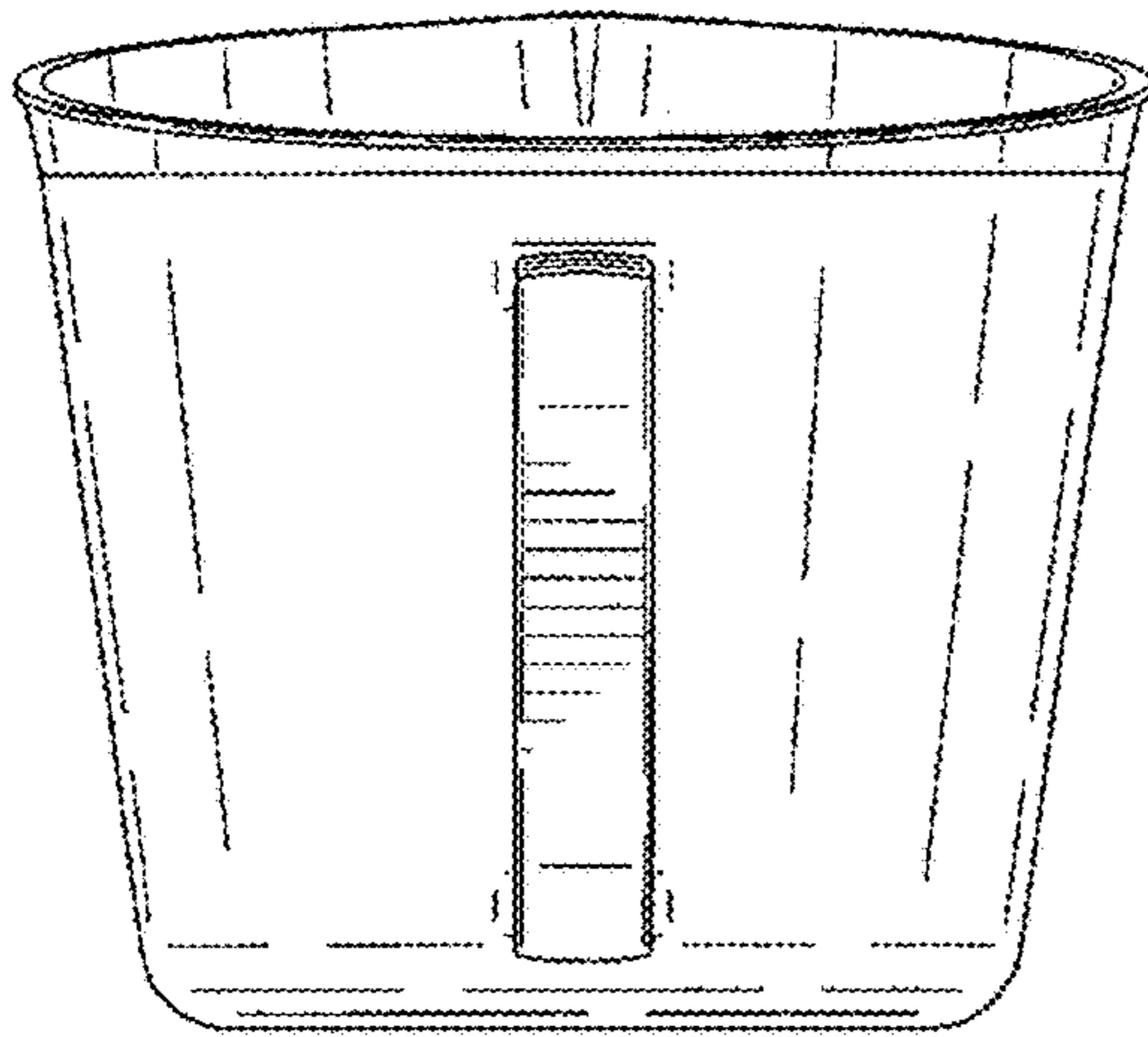


FIG. 4

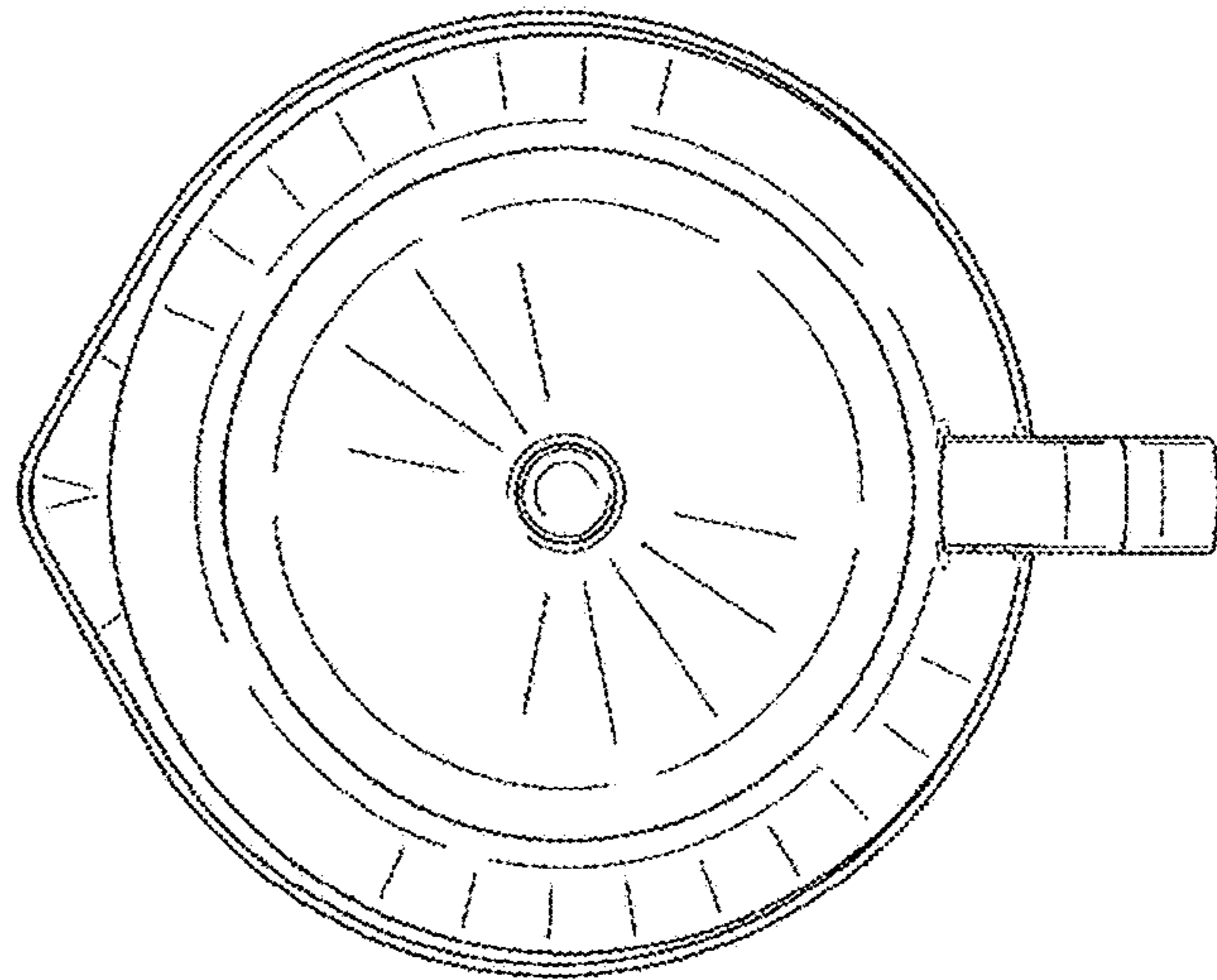


FIG. 5

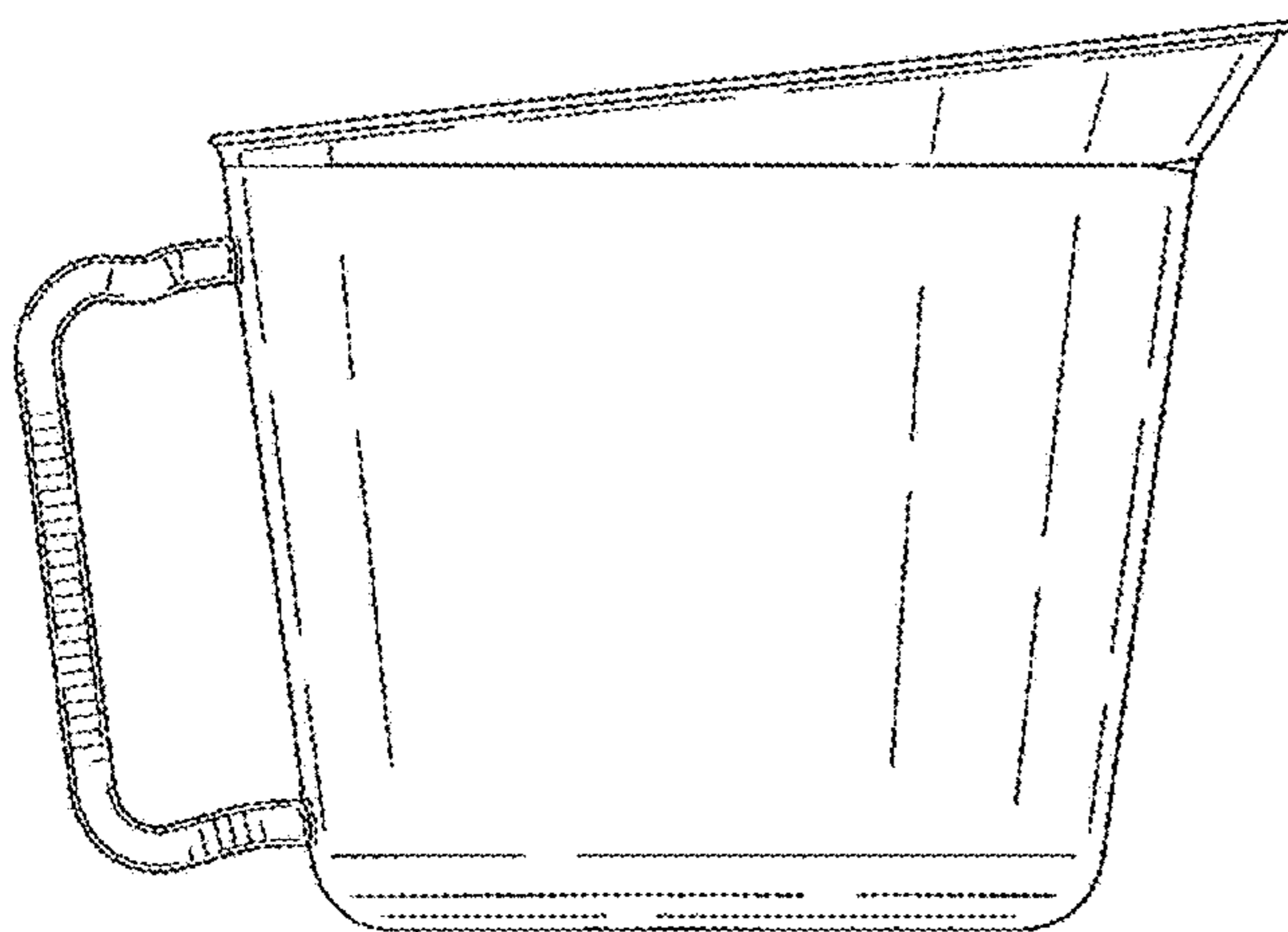


FIG. 6

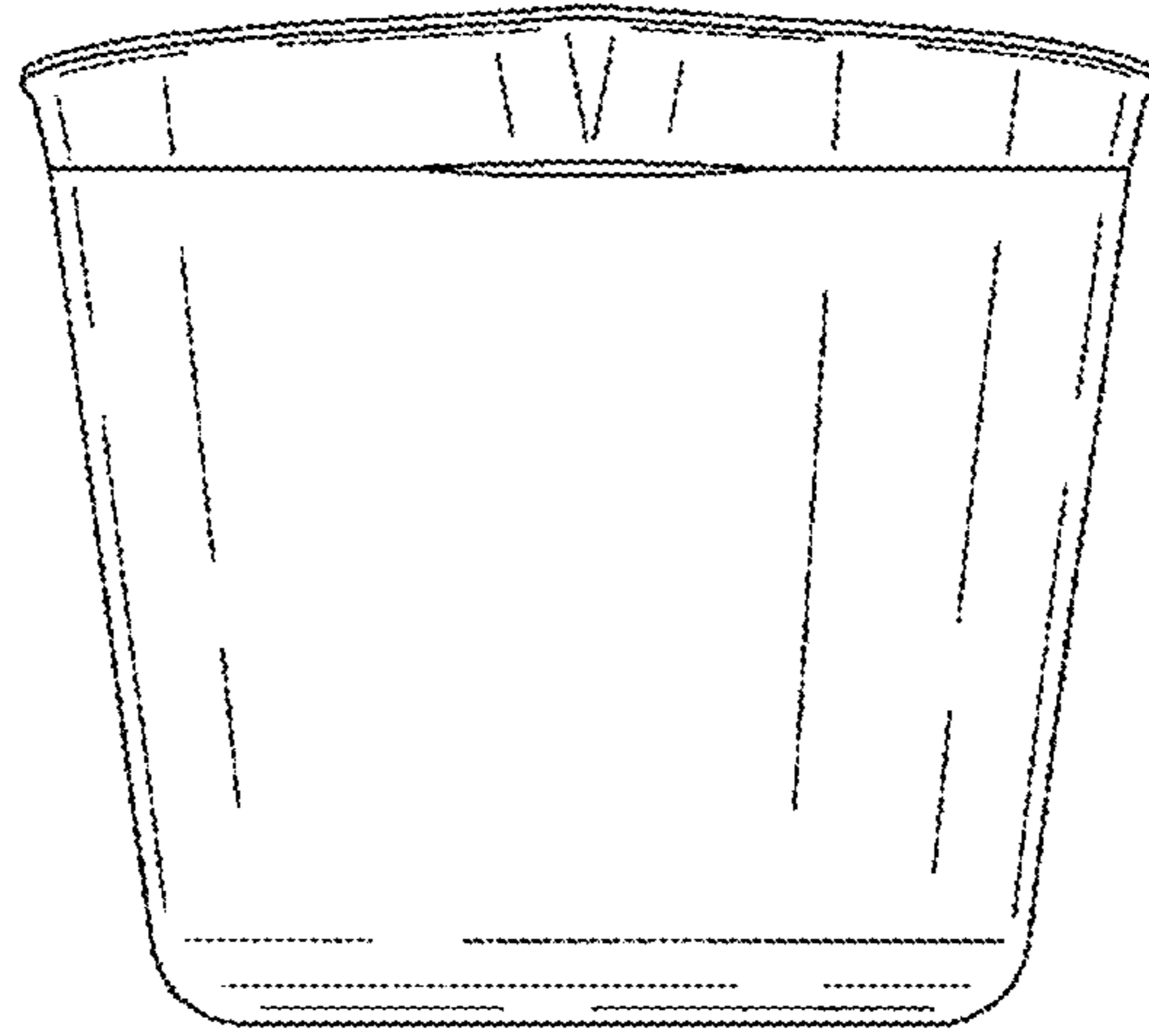


FIG. 7

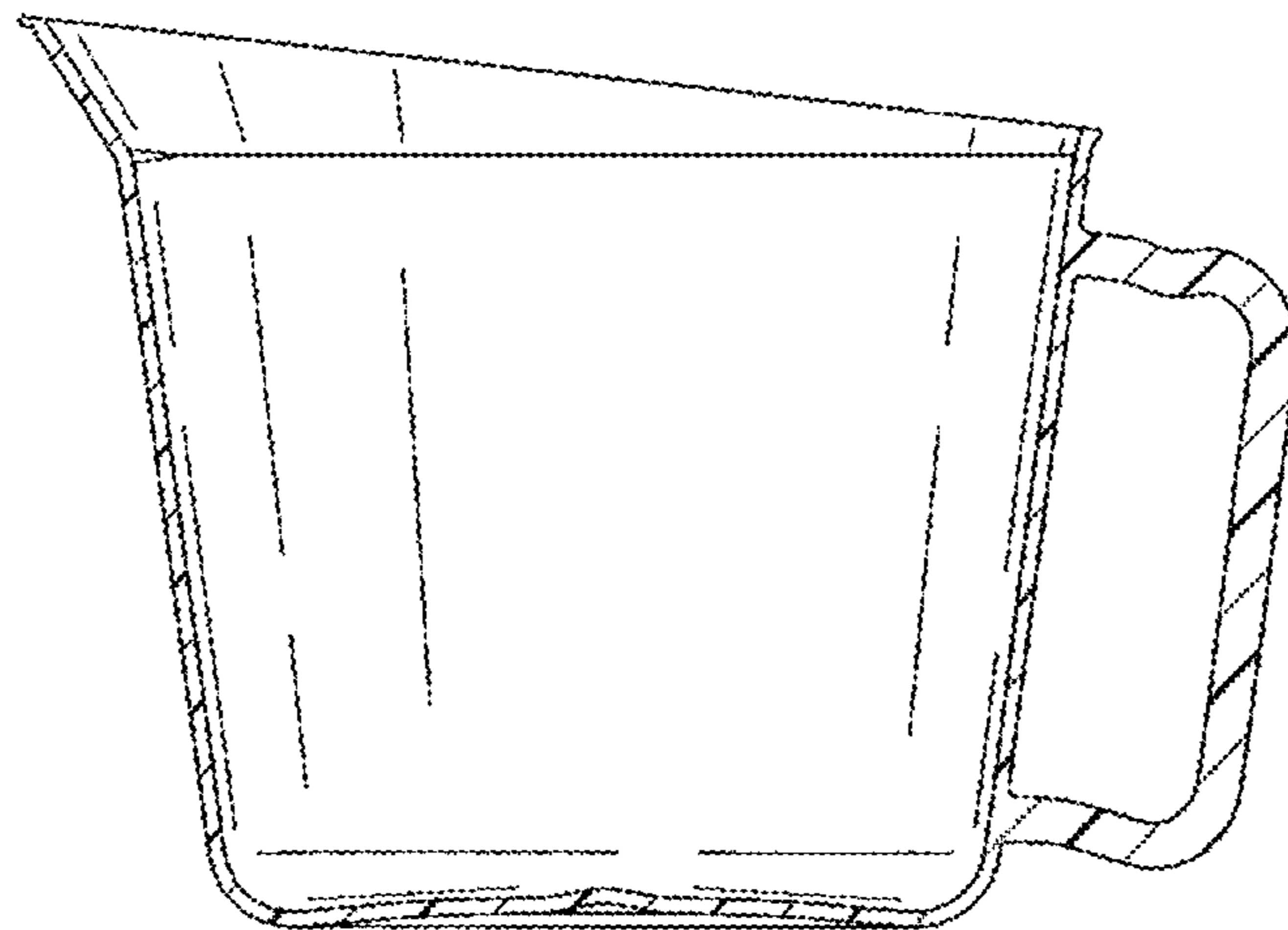


FIG. 8

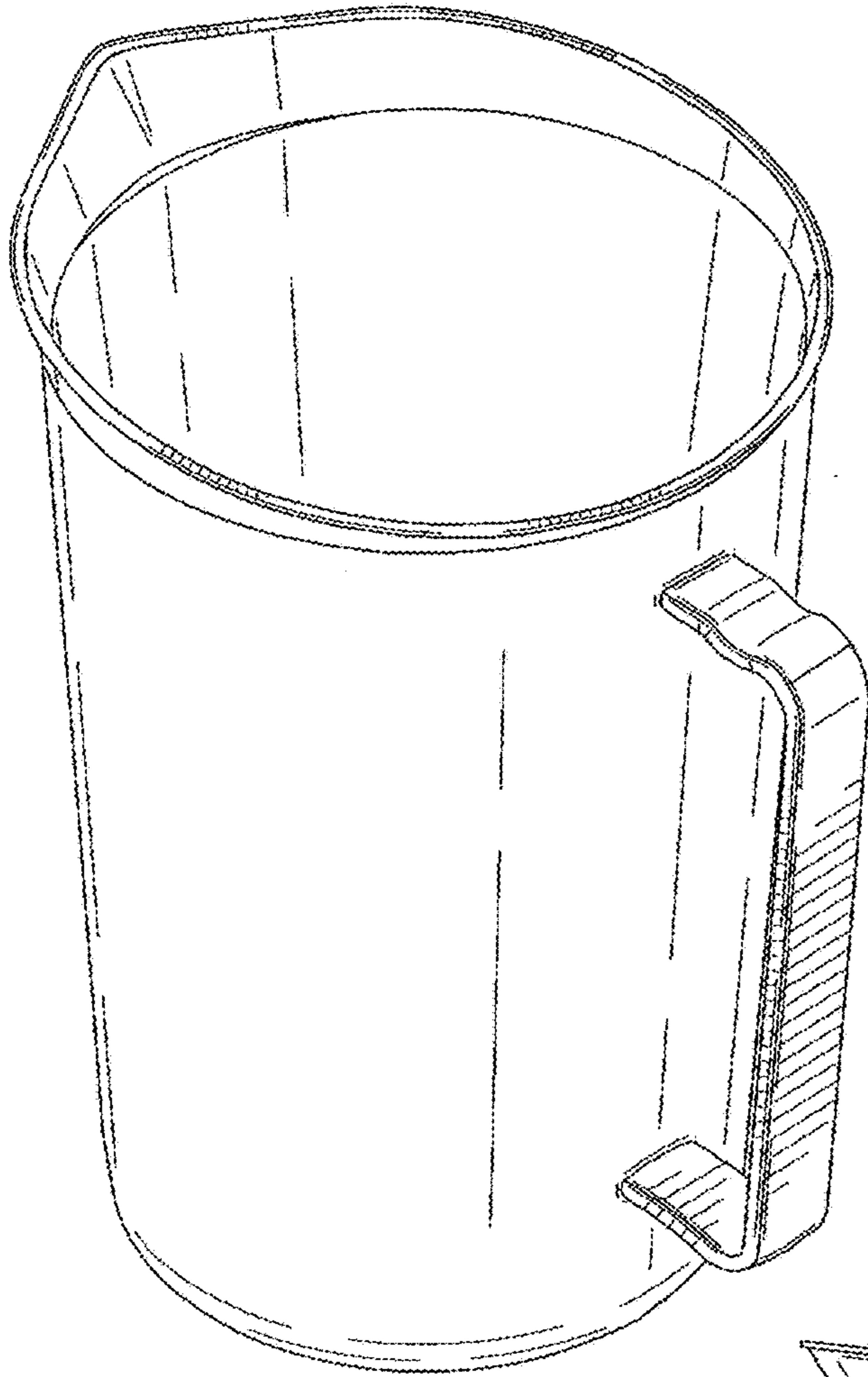


FIG. 9

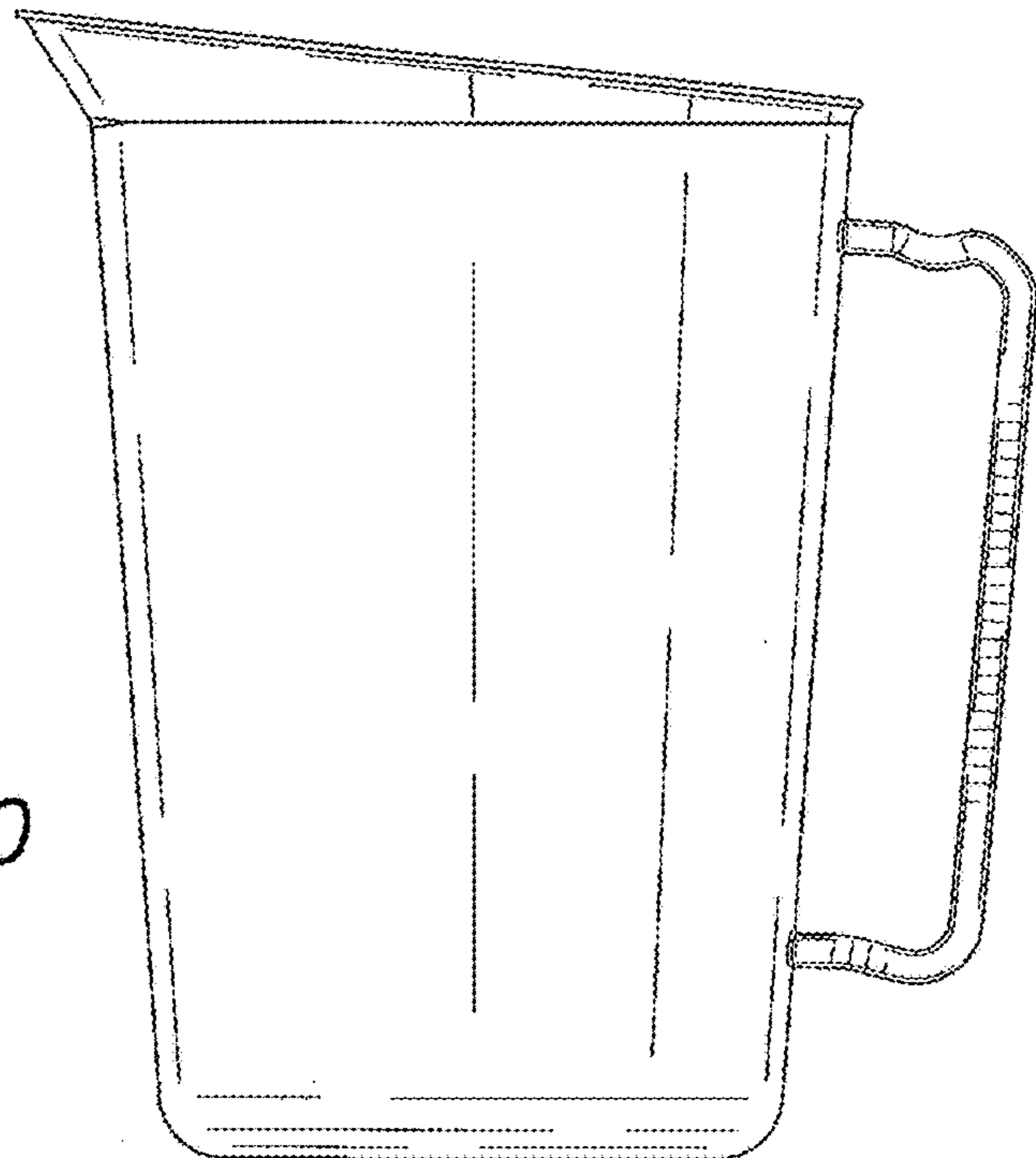


FIG. 10

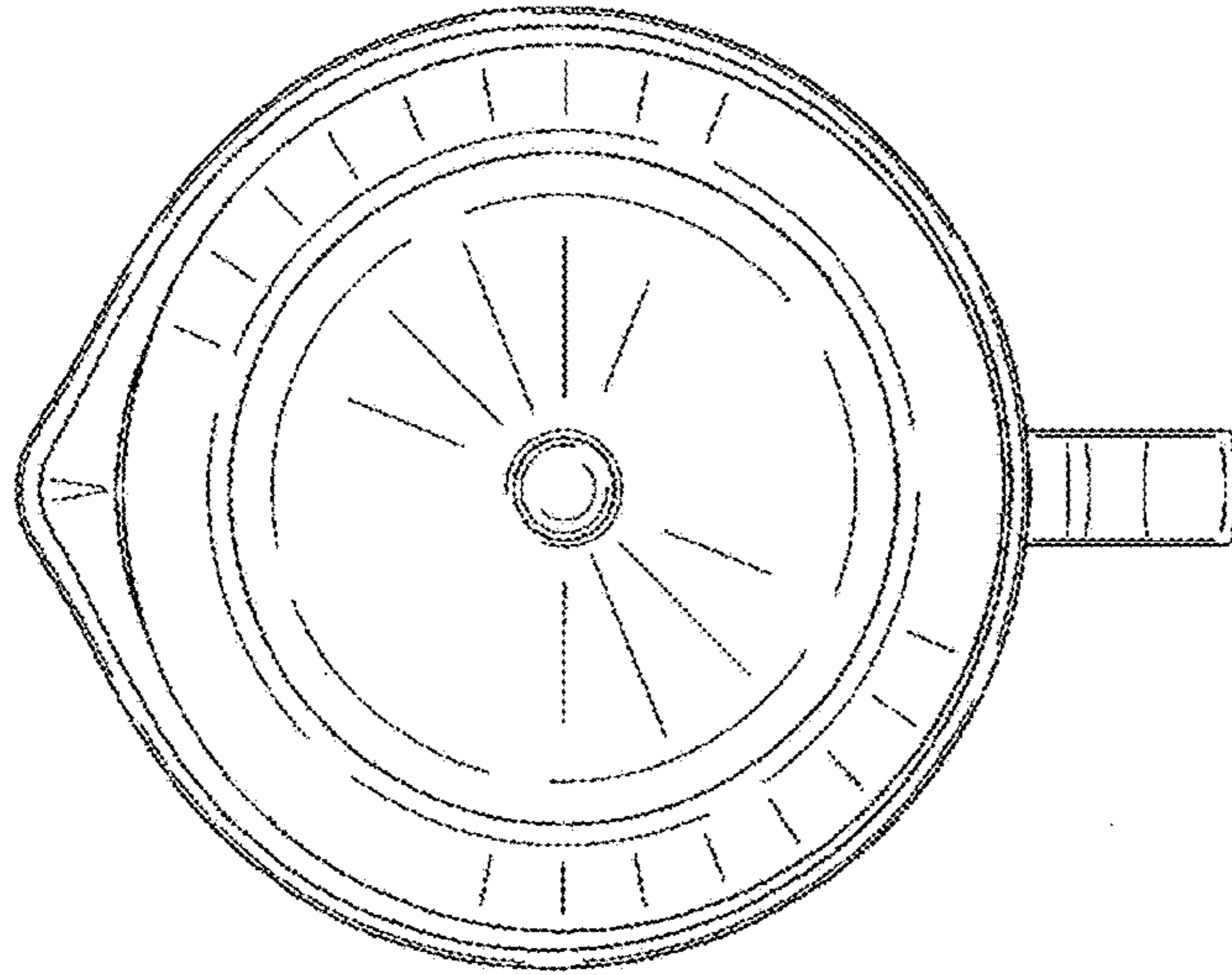


FIG. 11

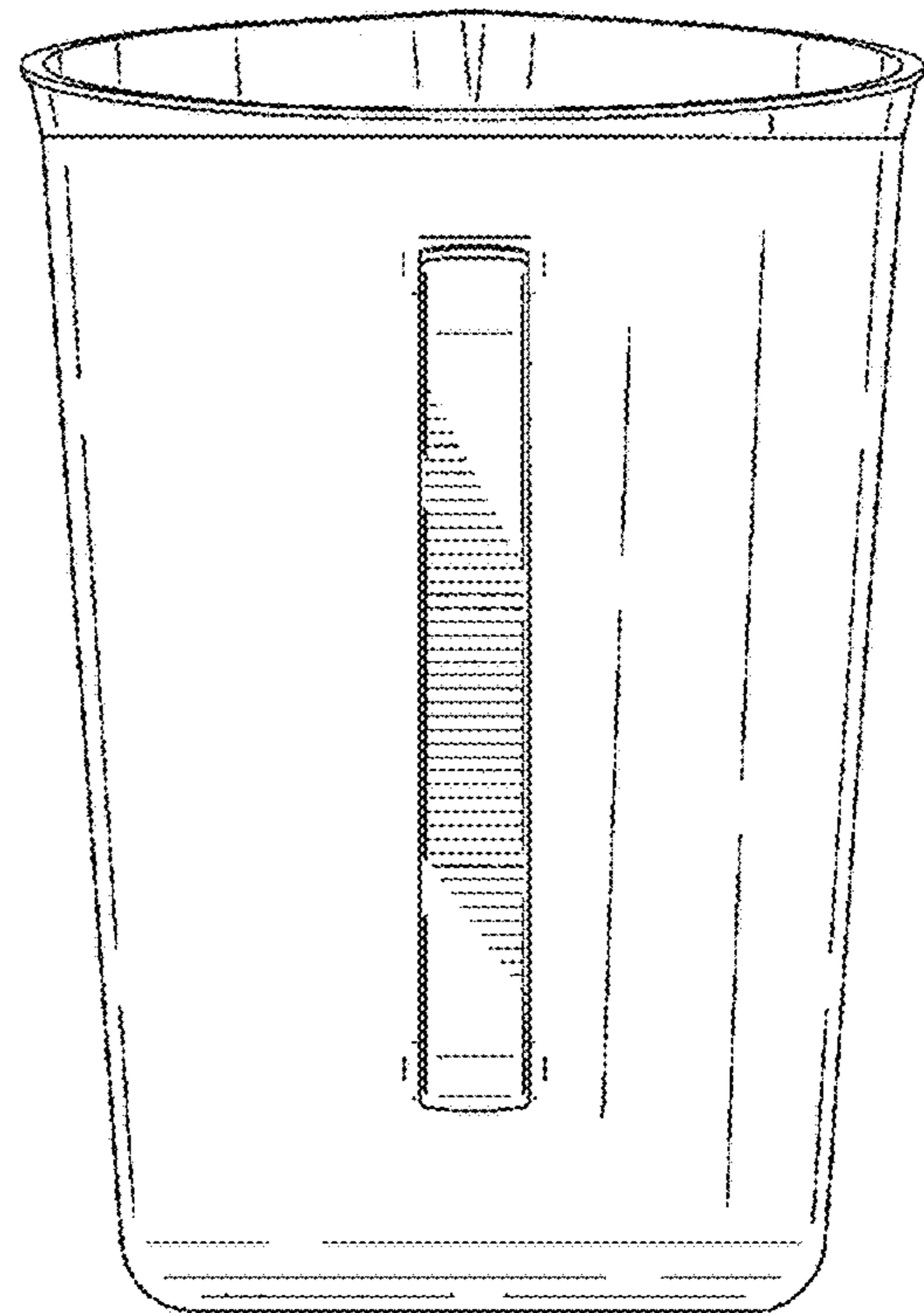


FIG. 12

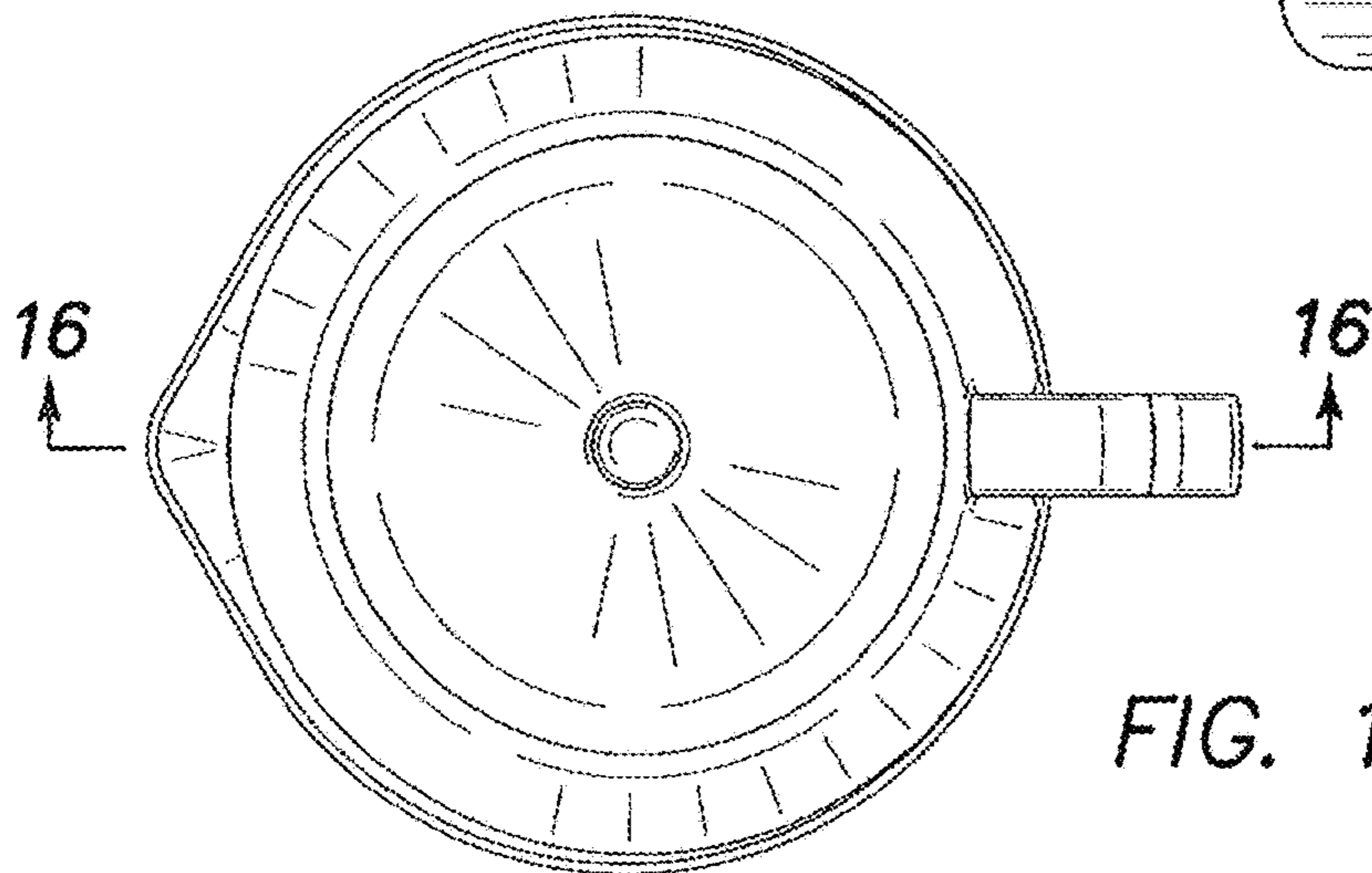


FIG. 13

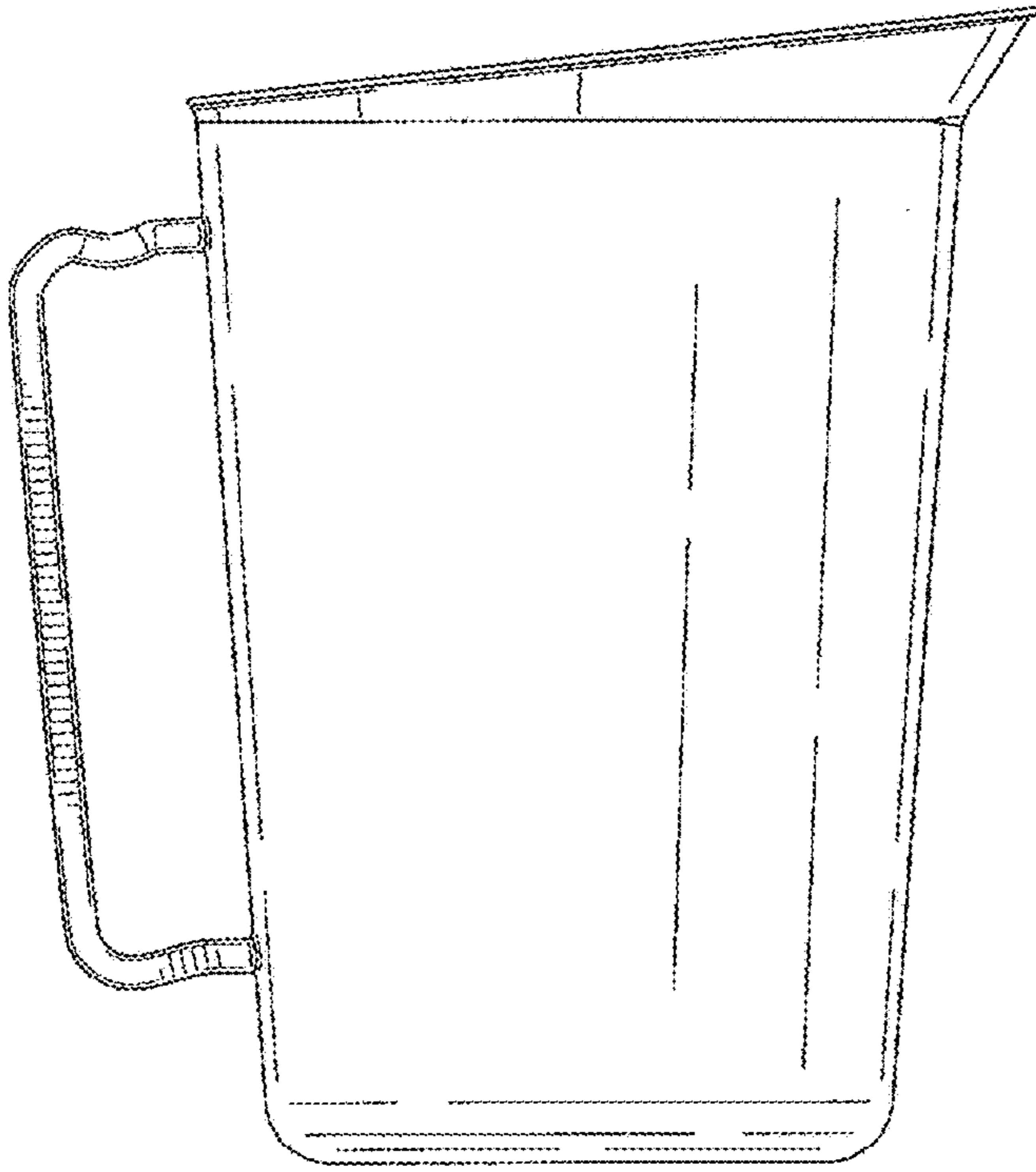


FIG. 14

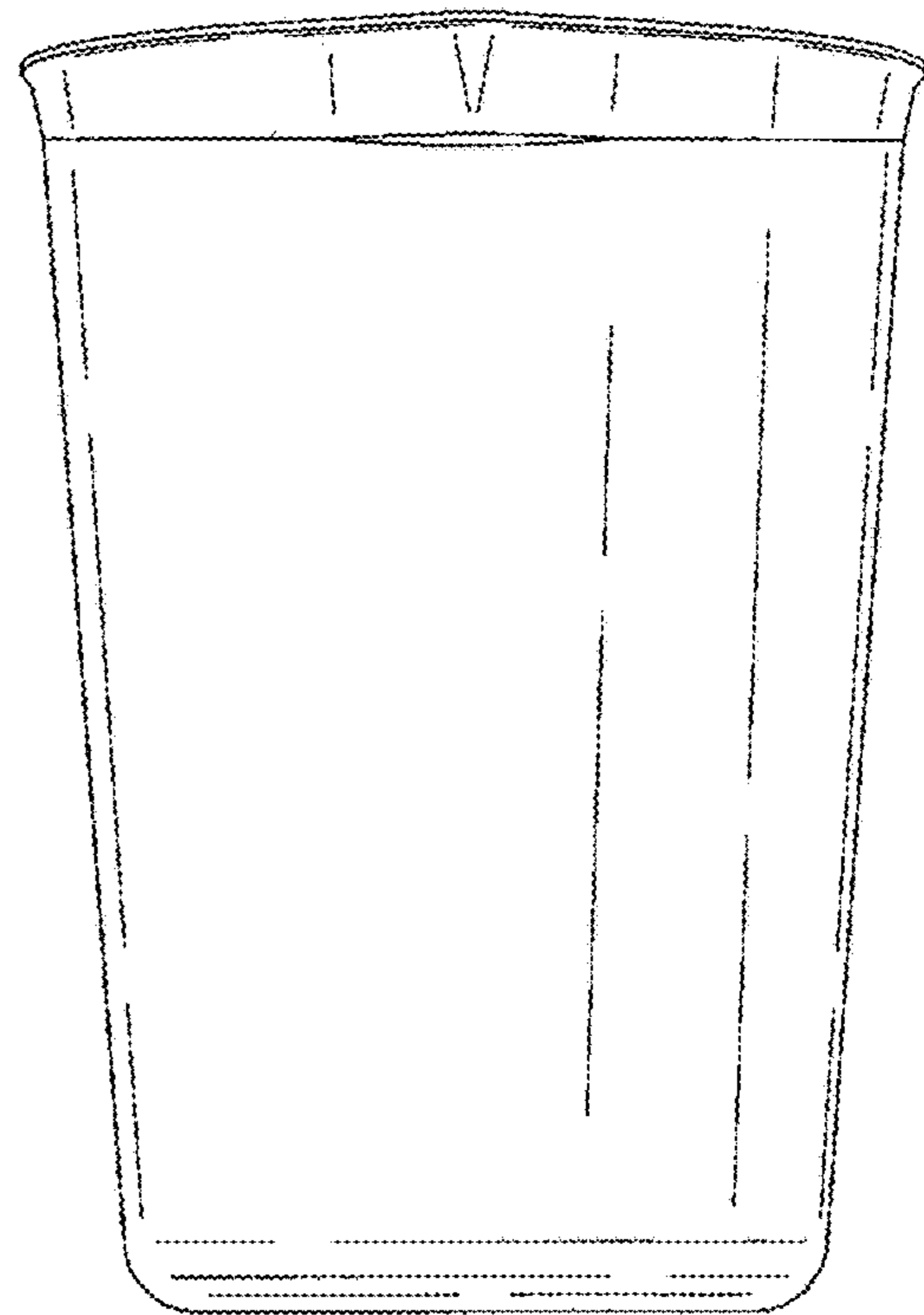


FIG. 15

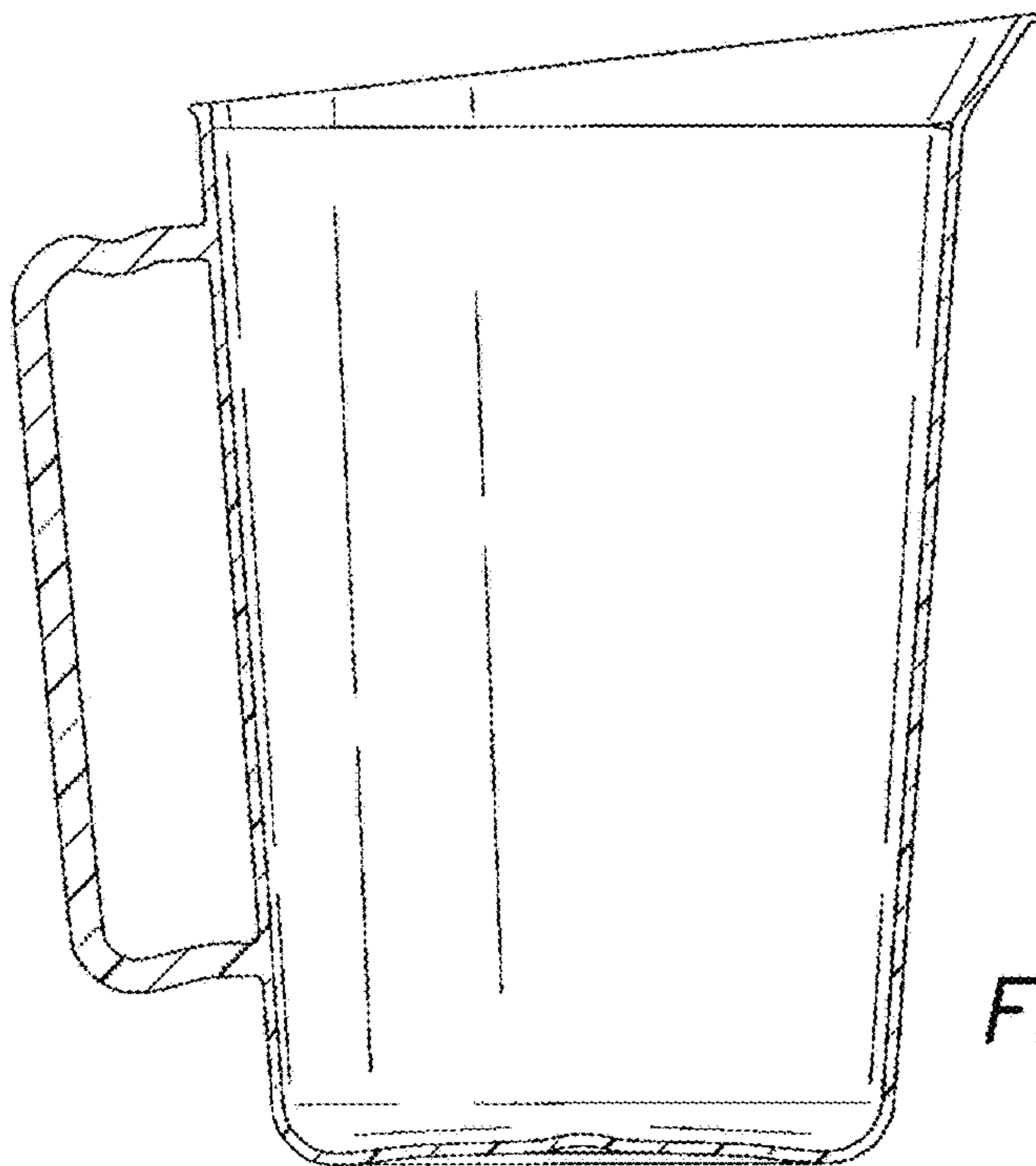


FIG. 16