



US00D890606S

(12) **United States Design Patent**
Lebeau

(10) **Patent No.:** **US D890,606 S**
(45) **Date of Patent:** **** Jul. 21, 2020**

(54) **TRANSPORT TRAY**
(71) Applicant: **BIP Floral inc.**, Montreal (CA)
(72) Inventor: **France Lebeau**, Montreal (CA)
(73) Assignee: **BIP Floral Inc.**, Montreal (CA)
(**) Term: **15 Years**

D792,761 S * 7/2017 Duval D9/431
D833,865 S * 11/2018 Petty D9/431
D858,270 S * 9/2019 Requena D9/420
D860,780 S * 9/2019 Requena D9/420
D861,482 S * 10/2019 Lebeau D9/431
D864,751 S * 10/2019 Exner D9/705
D864,753 S * 10/2019 Exner D9/705
2001/0010328 A1* 8/2001 Itey B65D 5/46104
229/117.15

(21) Appl. No.: **29/670,027**
(22) Filed: **Nov. 13, 2018**
(30) **Foreign Application Priority Data**

Nov. 13, 2018 (CA) 184581

(51) **LOC (12) Cl.** **09-03**
(52) **U.S. Cl.**
USPC **D9/431; D9/433**
(58) **Field of Classification Search**
USPC D9/414-423, 430-433, 434, 456, 457,
D9/711, 713, 721-722; D20/10, 22, 27,
D20/40, 42
CPC ... B65D 5/00; B65D 5/02; B65D 5/18; B65D
5/20
See application file for complete search history.

(56) **References Cited**
U.S. PATENT DOCUMENTS
6,105,853 A * 8/2000 Lamare B65D 71/36
229/117.09
D519,366 S * 4/2006 Epstein D9/431
D709,953 S * 7/2014 Williams D20/22
D710,213 S * 8/2014 Birchmeier D9/711

OTHER PUBLICATIONS

Good Vibes Bip floral inc. [online] Retrieved Nov. 12, 2019 from
URL: <https://bipfloral.com/collections/frontpage/products/good-vibes>.*

* cited by examiner

Primary Examiner — Vy N Koenig
(74) *Attorney, Agent, or Firm* — IP Delta Plus Inc.

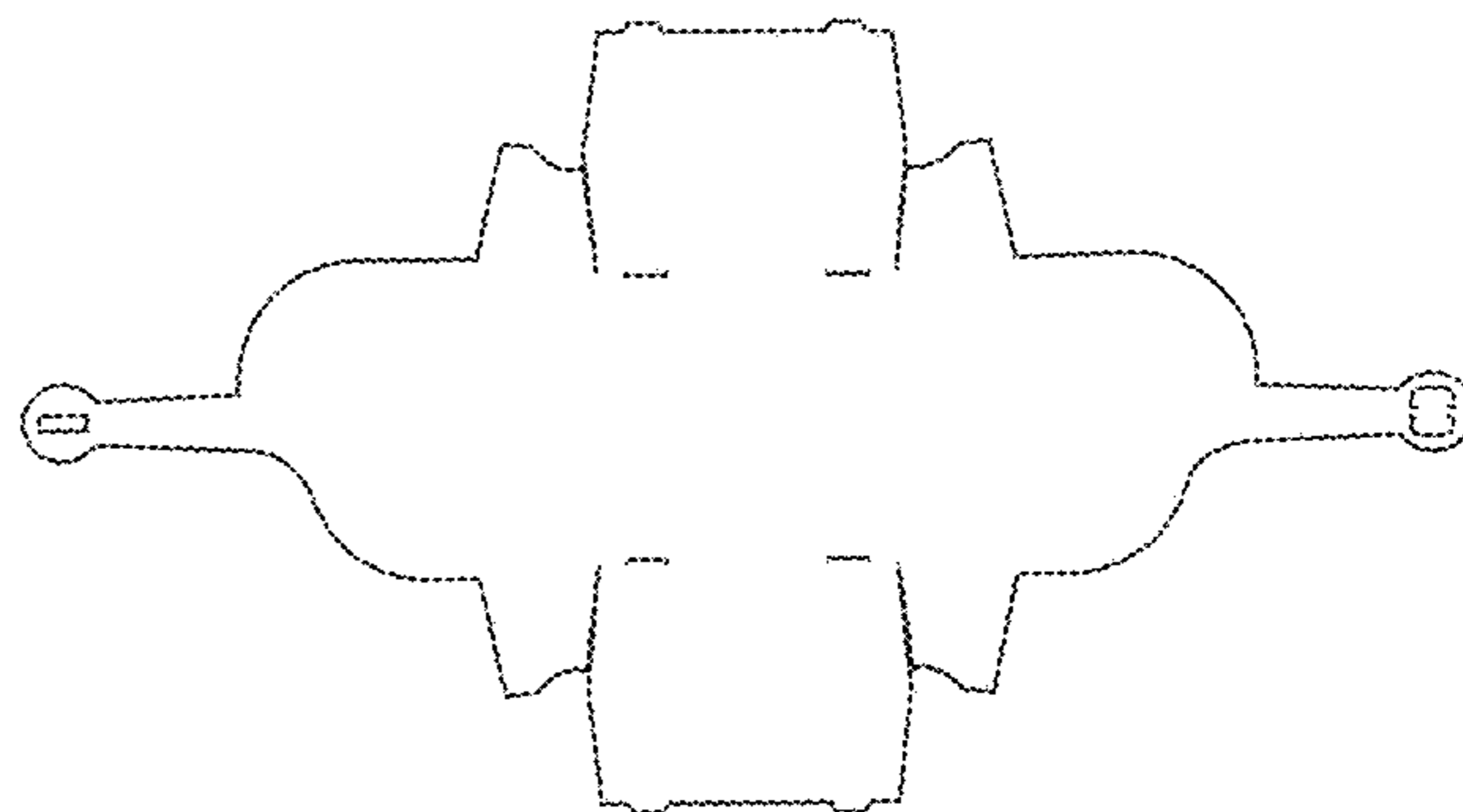
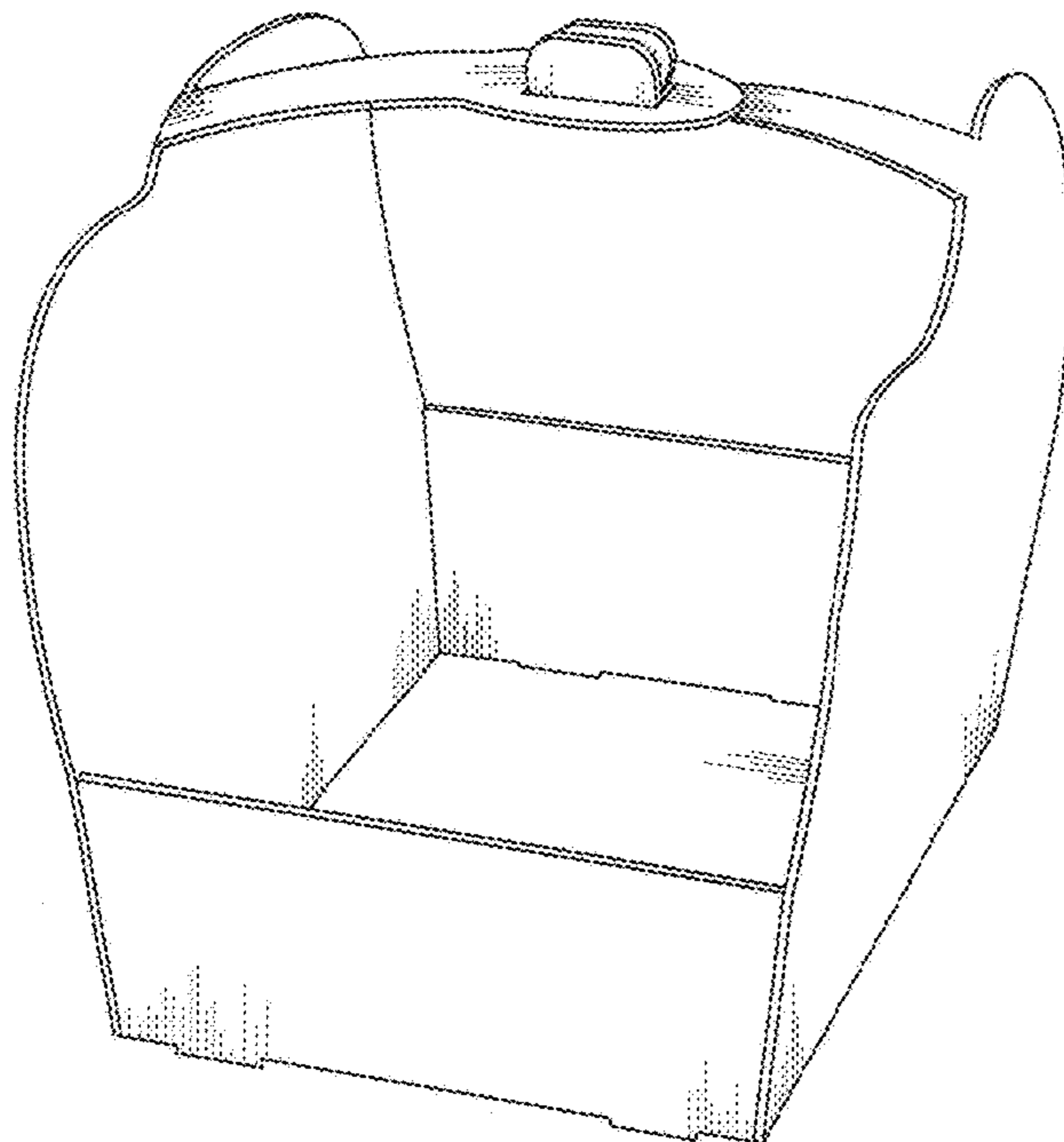
(57) **CLAIM**

The ornamental design for a transport tray, as shown and described.

DESCRIPTION

FIG. 1 is a perspective view of a transport tray showing my new design;
FIG. 2 is a top plan view the present transport tray thereof;
FIG. 3 is a front elevation view thereof;
FIG. 4 is side elevation view thereof; and,
FIG. 5 is a top plan view of the transport tray in a disassembled and flat configuration.

1 Claim, 5 Drawing Sheets



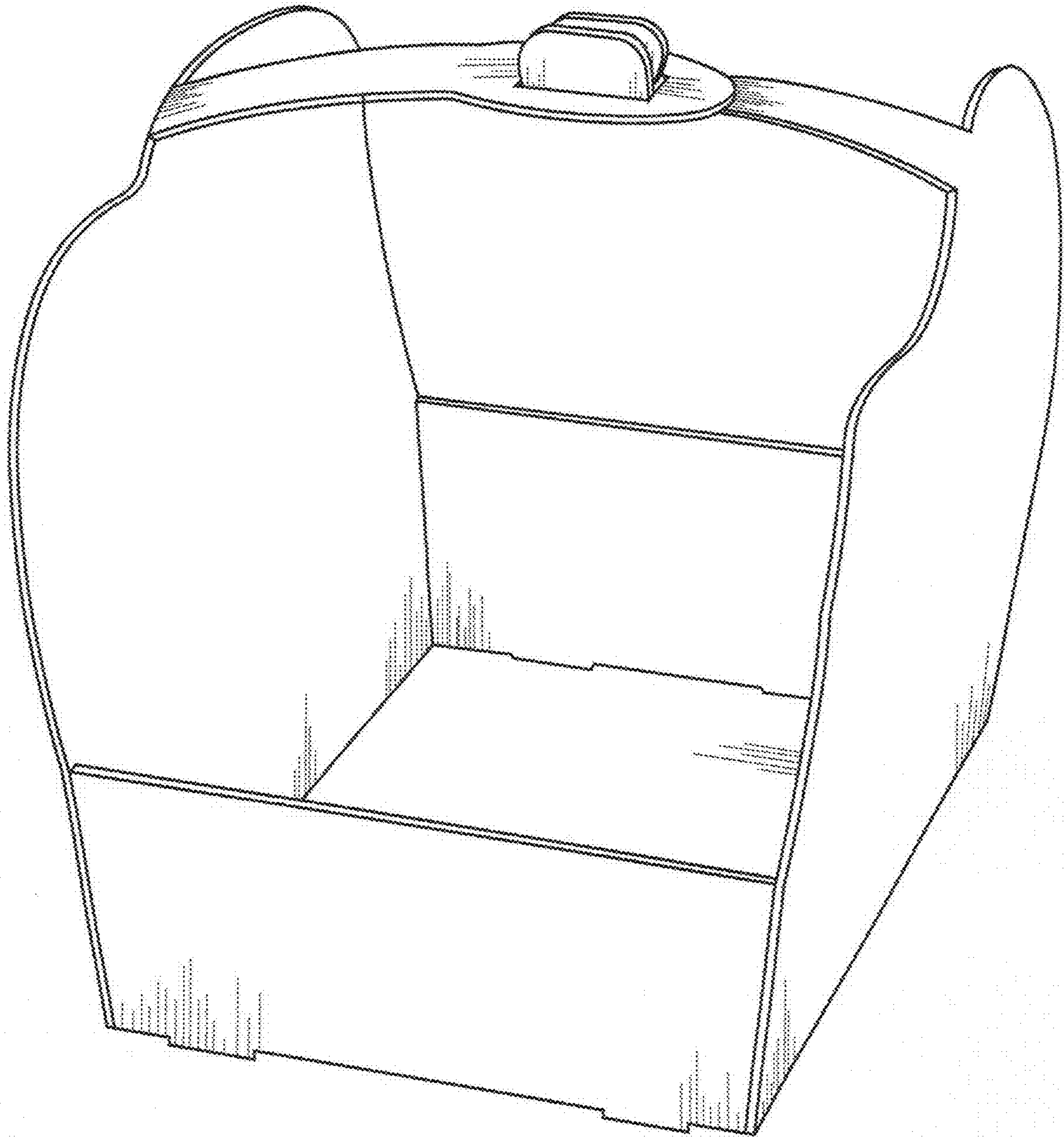


Fig. 1

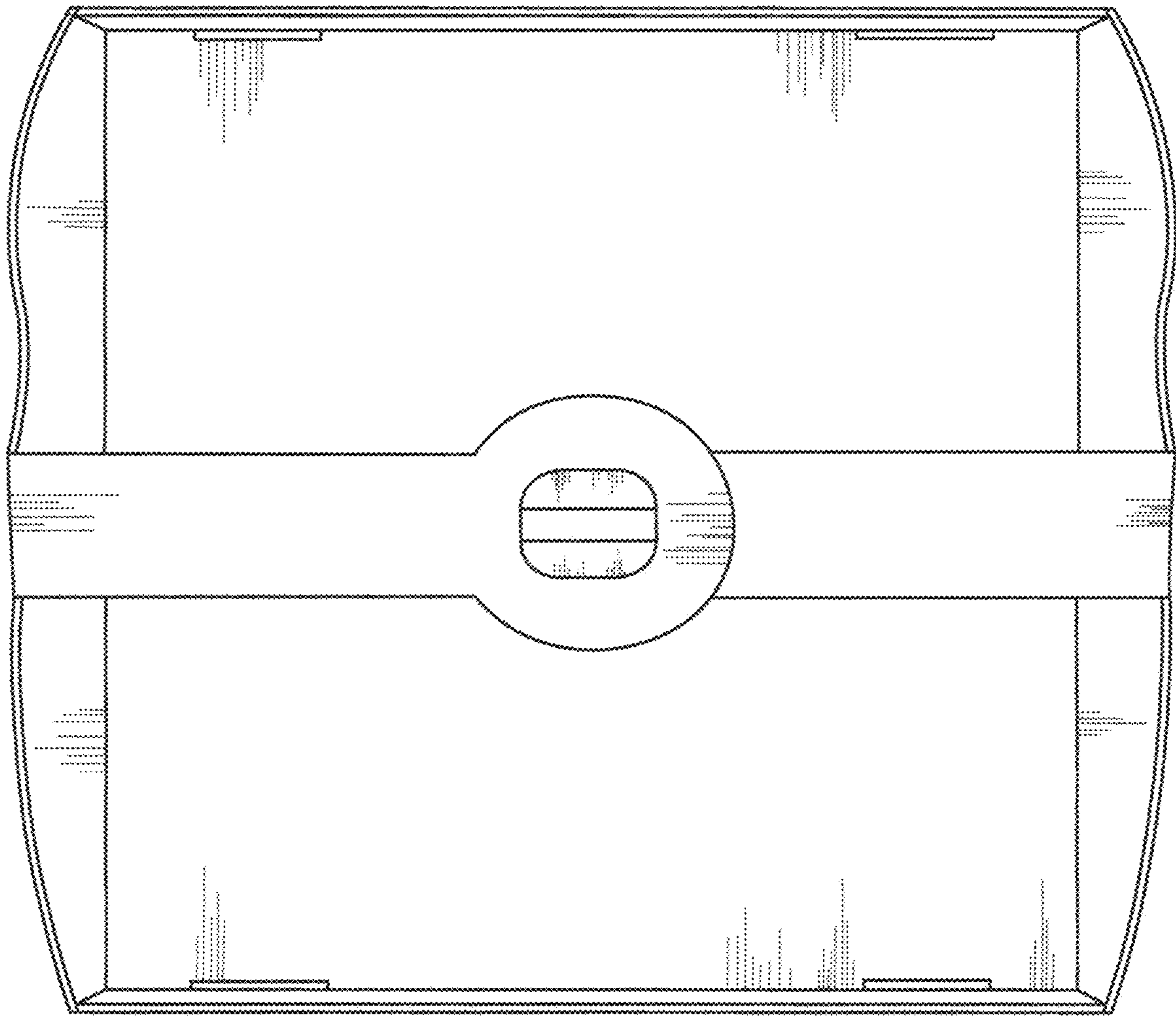


Fig. 2

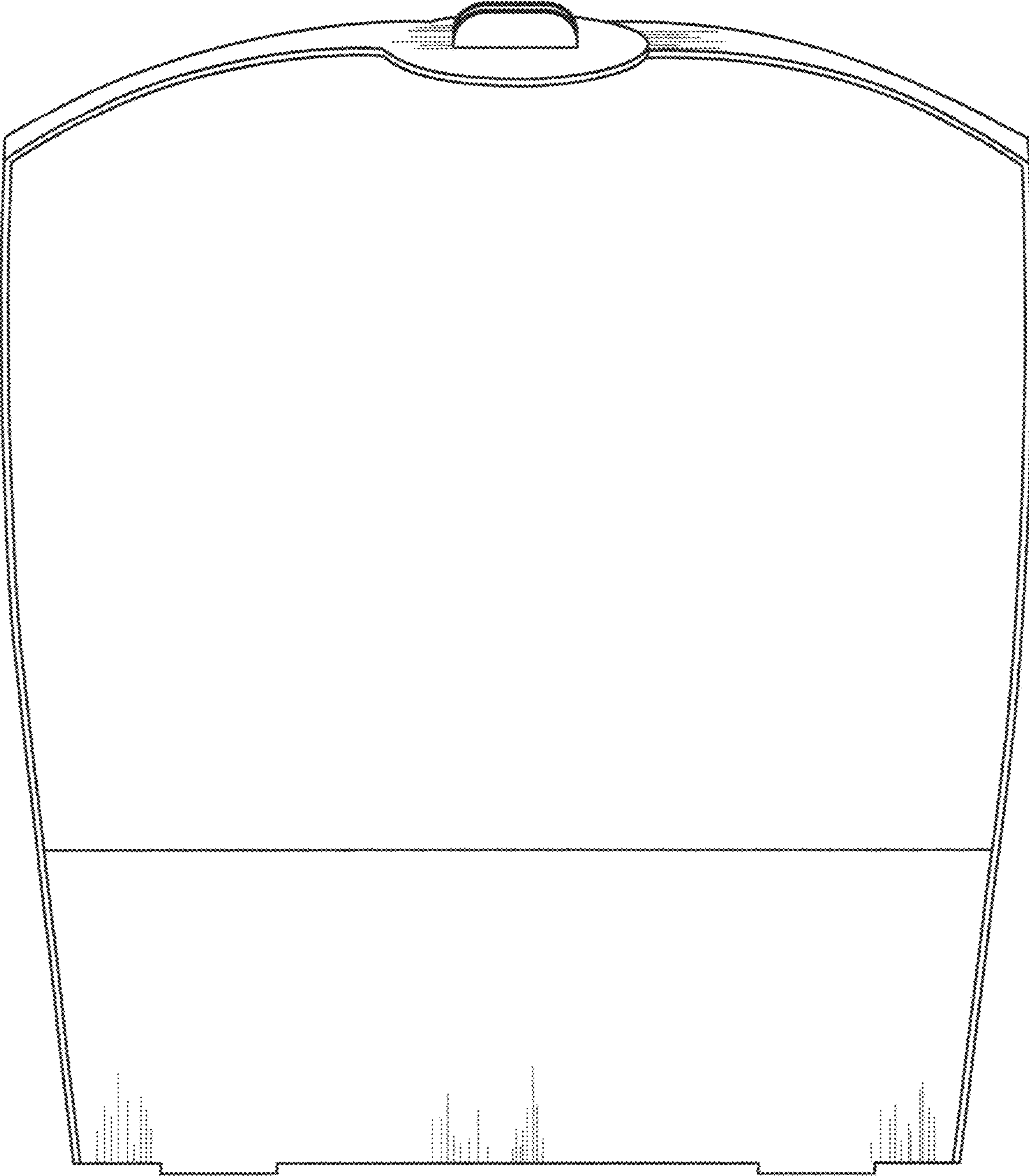


Fig. 3

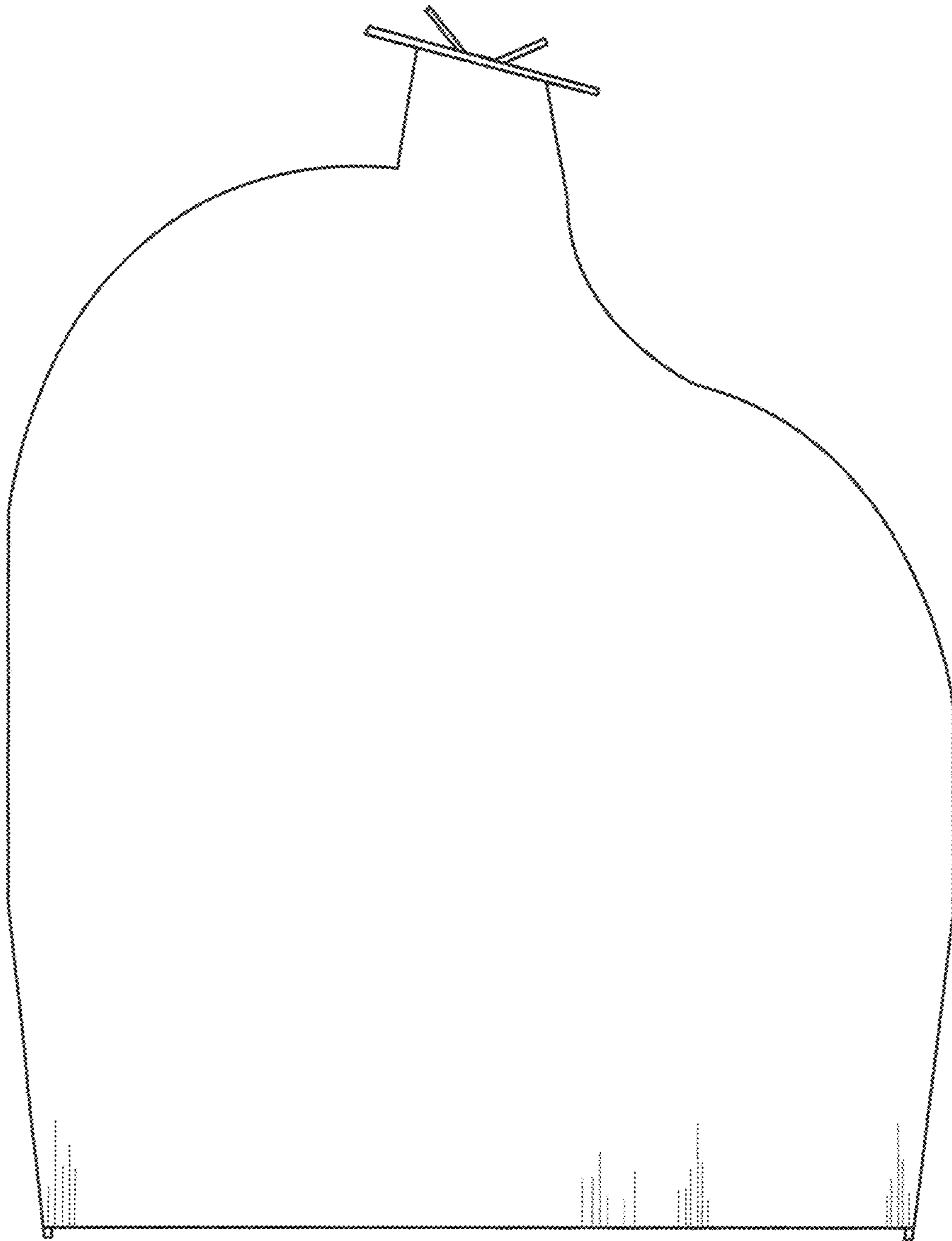


Fig. 4

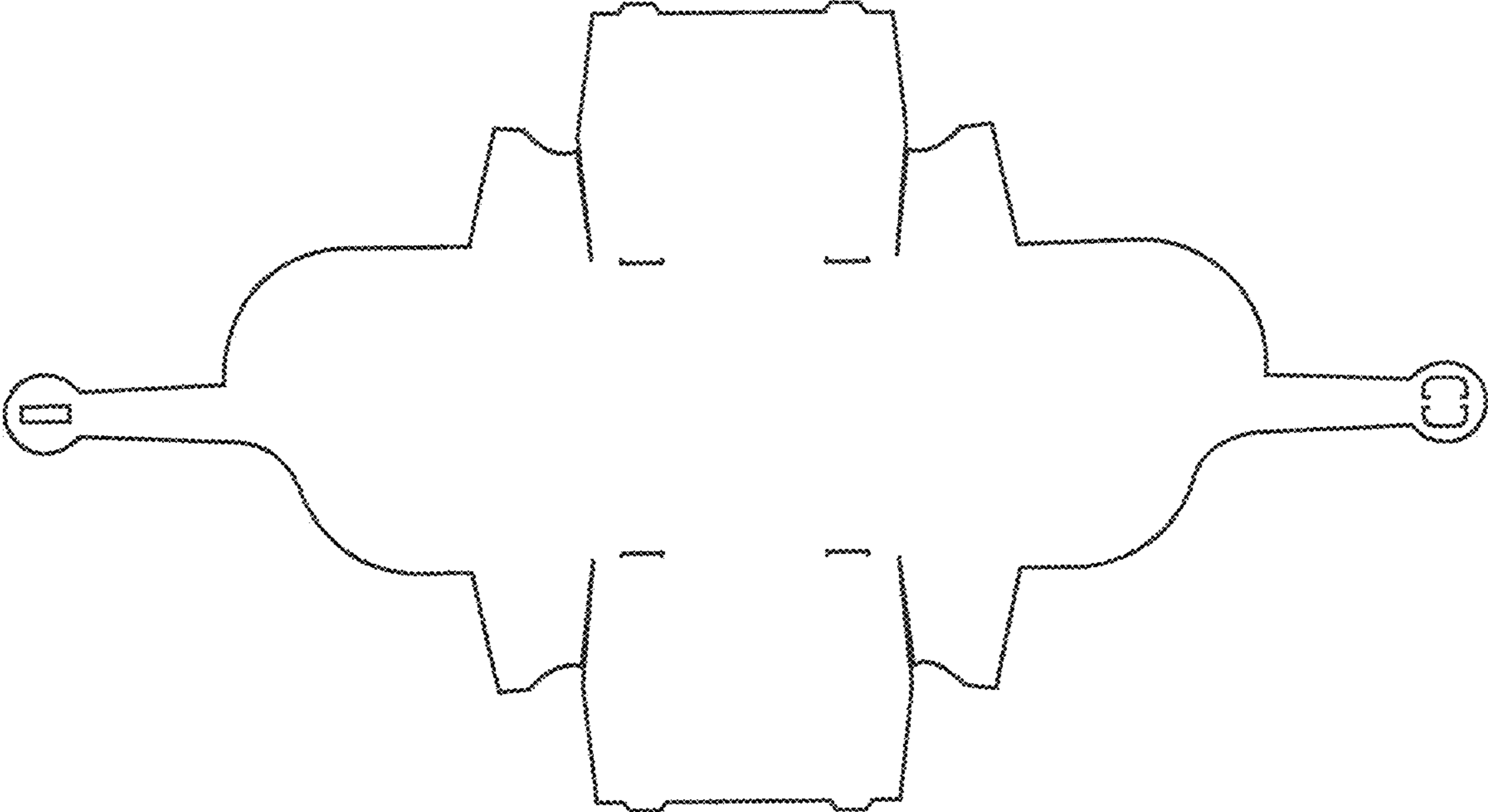


Fig. 5