



US00D890605S

(12) **United States Design Patent**  
**Nelson**

(10) **Patent No.:** **US D890,605 S**

(45) **Date of Patent:** **\*\* Jul. 21, 2020**

(54) **POP-UP GIFT CARD HOLDER BOX**

(71) Applicant: **American Greetings Corporation,**  
Cleveland, OH (US)

(72) Inventor: **Gary Nelson,** Avon, OH (US)

(73) Assignee: **American Greetings Corporation,**  
Cleveland, OH (US)

(\*\*) Term: **15 Years**

(21) Appl. No.: **29/695,112**

(22) Filed: **Jun. 16, 2019**

(51) **LOC (12) Cl.** ..... **09-03**

(52) **U.S. Cl.**  
USPC ..... **D9/423; D9/432**

(58) **Field of Classification Search**  
USPC ..... D9/414-423, 430-433, 434, 456, 457,  
D9/600, 652, 667, 711, 713, 721-722,  
D9/737, 756, 758, 759, 760; D14/480,  
D14/489, 490; D20/10, 22, 27, 40, 42  
CPC ... B65D 5/00; B65D 5/02; B65D 5/18; B65D  
5/20

See application file for complete search history.

(56) **References Cited**

**U.S. PATENT DOCUMENTS**

- 1,104,253 A \* 7/1914 Dunphee ..... B65D 5/5206  
206/45.2
- 2,511,211 A \* 6/1950 Klein ..... B65D 5/4258  
206/45.28
- D339,287 S \* 9/1993 Levin ..... D9/432
- 5,682,999 A \* 11/1997 Larson ..... A63H 3/18  
206/45.28
- 6,305,533 B1 \* 10/2001 Welty ..... B65D 5/5206  
206/278
- D536,610 S \* 2/2007 Katz ..... D6/626
- 7,627,967 B1 \* 12/2009 Torvik ..... G09F 5/00  
206/45.25
- D765,778 S \* 9/2016 Larson ..... D19/1

- D829,569 S \* 10/2018 O'Neill ..... D9/759
- D843,827 S 3/2019 Nelson et al.
- 2006/0006080 A1 \* 1/2006 Gustafsson ..... B42D 15/045  
206/308.1
- 2013/0220088 A1 8/2013 Glass et al.  
(Continued)

**OTHER PUBLICATIONS**

Presentation Pop-Up Gift Card Box. [online] Published on Nov. 28, 2018. Retrieved May 20, 2020 from URL: [https://www.brilliantpromos.com/ap/Presentation-Pop-Up-Gift-Card-Box-551054429.\\*](https://www.brilliantpromos.com/ap/Presentation-Pop-Up-Gift-Card-Box-551054429.*)

(Continued)

*Primary Examiner* — Vy N Koenig

(74) *Attorney, Agent, or Firm* — Christine Flanagan

(57) **CLAIM**

The ornamental design for a pop-up gift card holder box, as shown and described.

**DESCRIPTION**

FIG. 1 is a perspective view of the pop-up gift card holder box of the present invention, in an open position.

FIG. 2 is a left side view of the pop-up gift card holder box of FIG. 1, the right side view being a mirror image thereof.

FIG. 3 is a top down view of the pop-up gift card holder box of FIG. 1.

FIG. 4 is a bottom up view of the pop-up gift card holder box of FIG. 1.

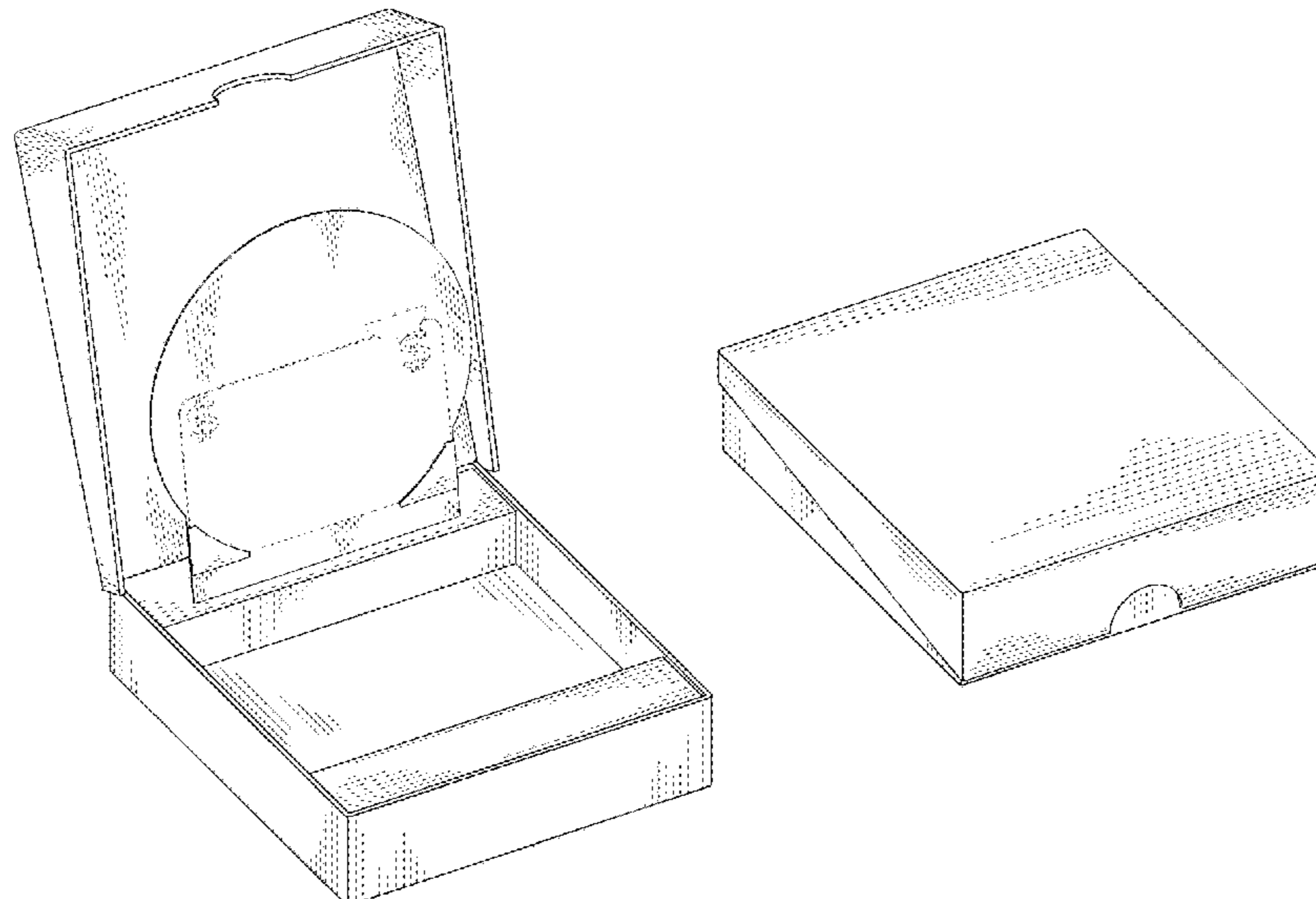
FIG. 5 is a front view of the pop-up gift card holder box of FIG. 1.

FIG. 6 is a rear view of the pop-up gift card holder box of FIG. 1; and,

FIG. 7 is a perspective view of the pop-up gift card holder box of FIG. 1, in a closed position.

The broken lines are for the purpose of illustrating the environment of the design only and form no part of the claimed design.

**1 Claim, 5 Drawing Sheets**



(56)

**References Cited**

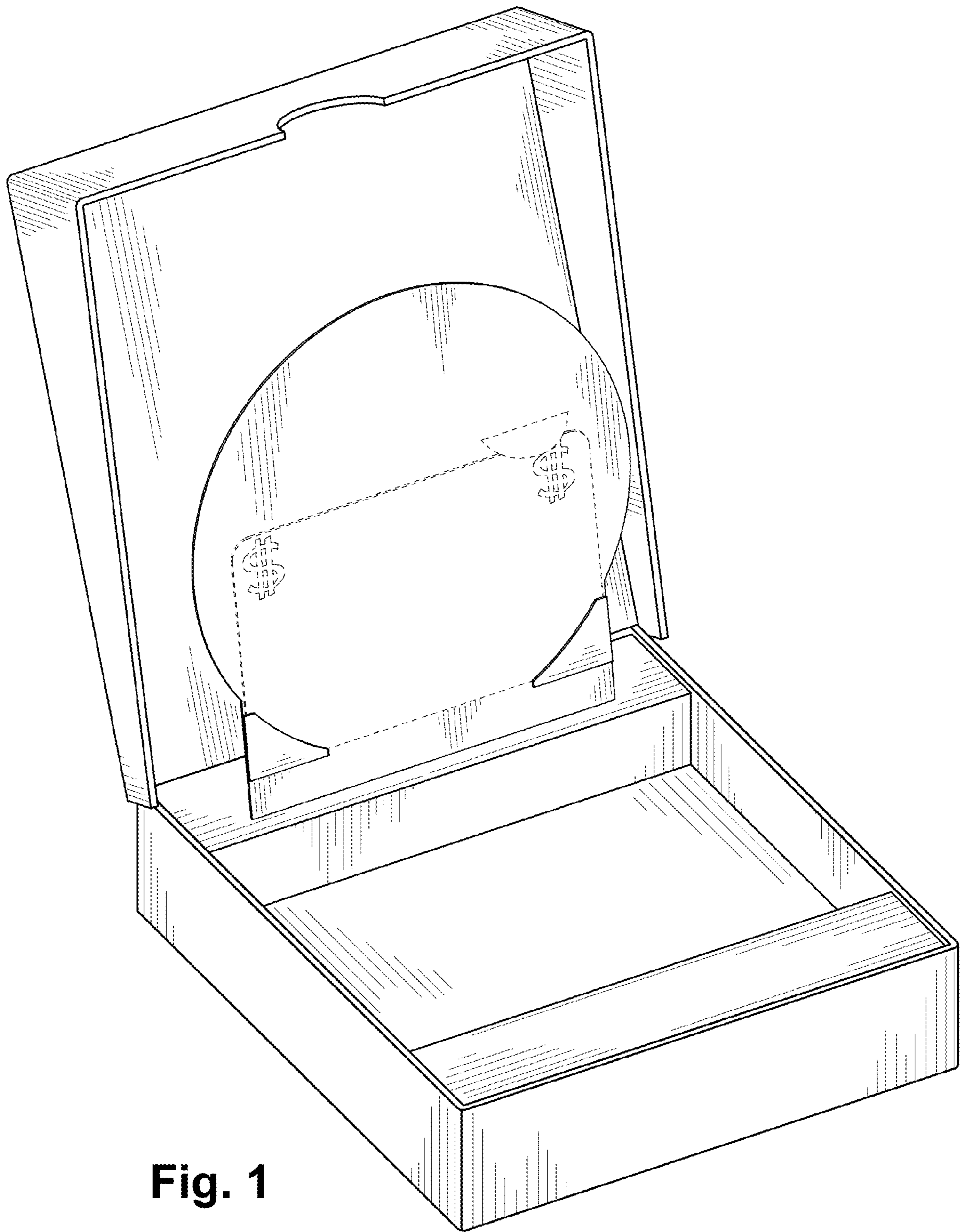
U.S. PATENT DOCUMENTS

2014/0090995 A1 4/2014 Hahn et al.  
2014/0231278 A1\* 8/2014 Glass ..... G06Q 20/387  
206/39  
2018/0072086 A1\* 3/2018 Mayer ..... B65D 73/0007

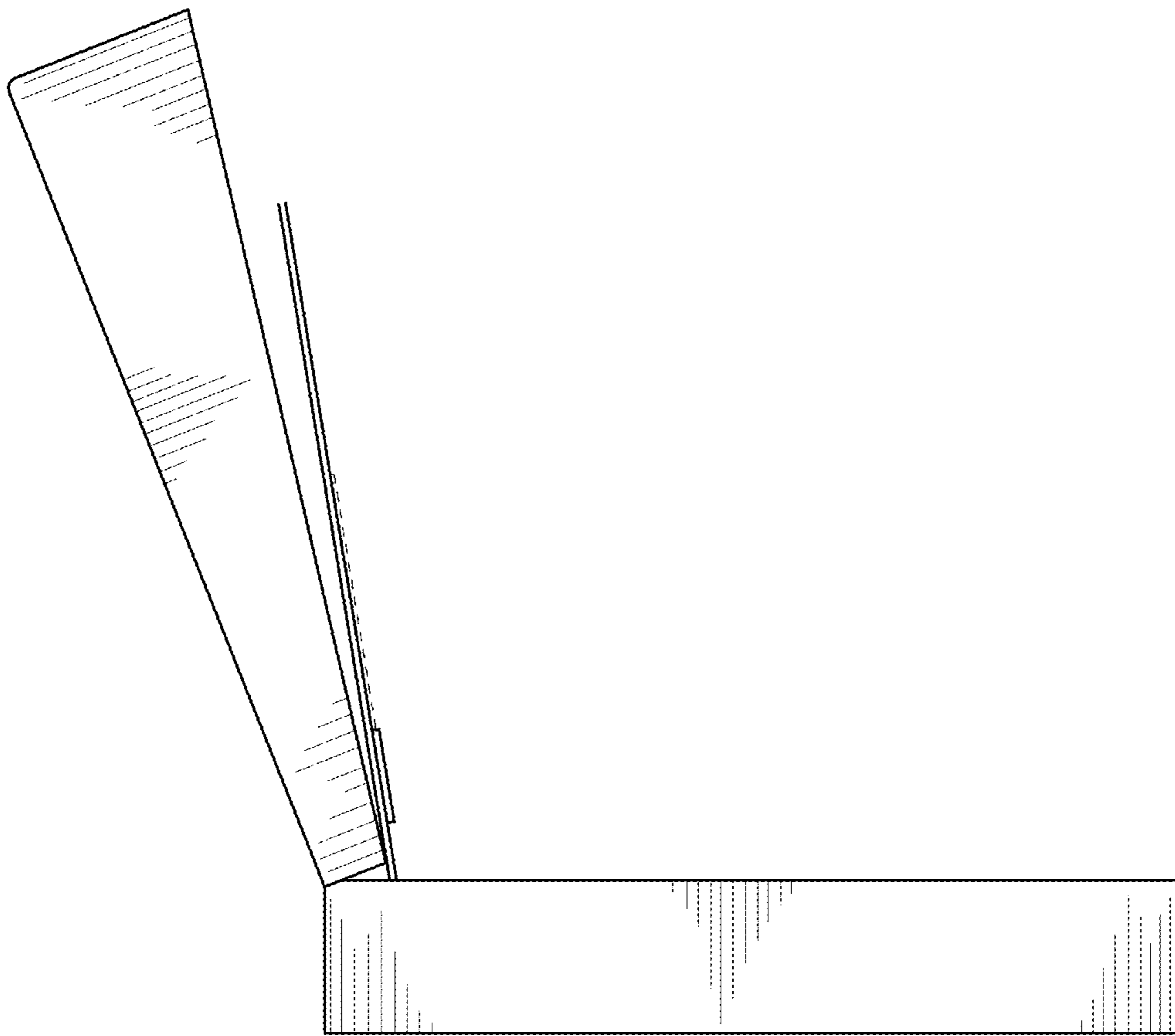
OTHER PUBLICATIONS

Gifts Pop-Up Gift Card Holder Birthday Card American Greetings. [online] Retrieved May 15, 2020 from URL: [https:// www.americangreetings.com/detail/paper-cards/birthday/gifting-pop-up-gift-card-holder-birthday-card/pn/prod4037](https://www.americangreetings.com/detail/paper-cards/birthday/gifting-pop-up-gift-card-holder-birthday-card/pn/prod4037).\*

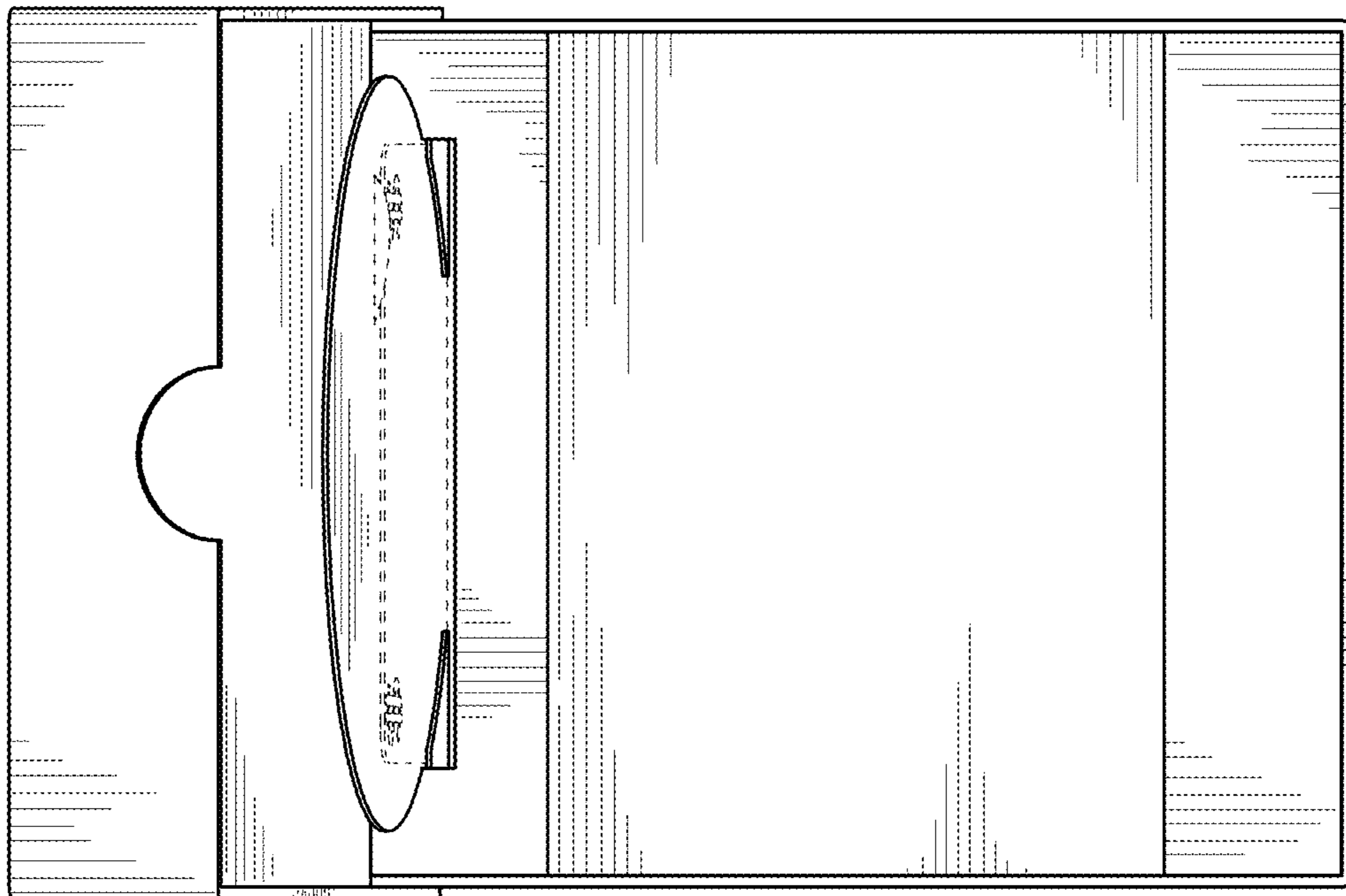
\* cited by examiner



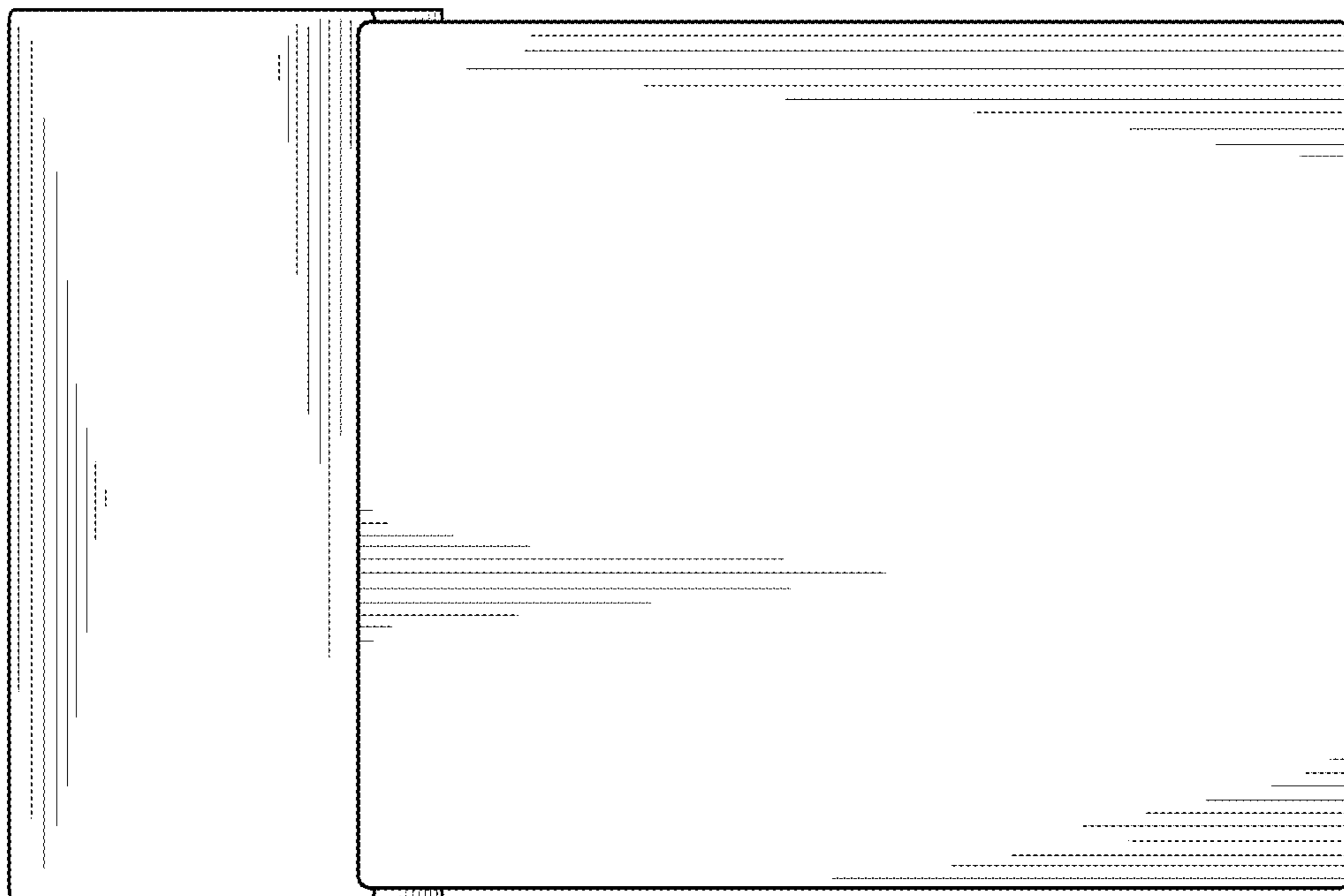
**Fig. 1**



**Fig. 2**

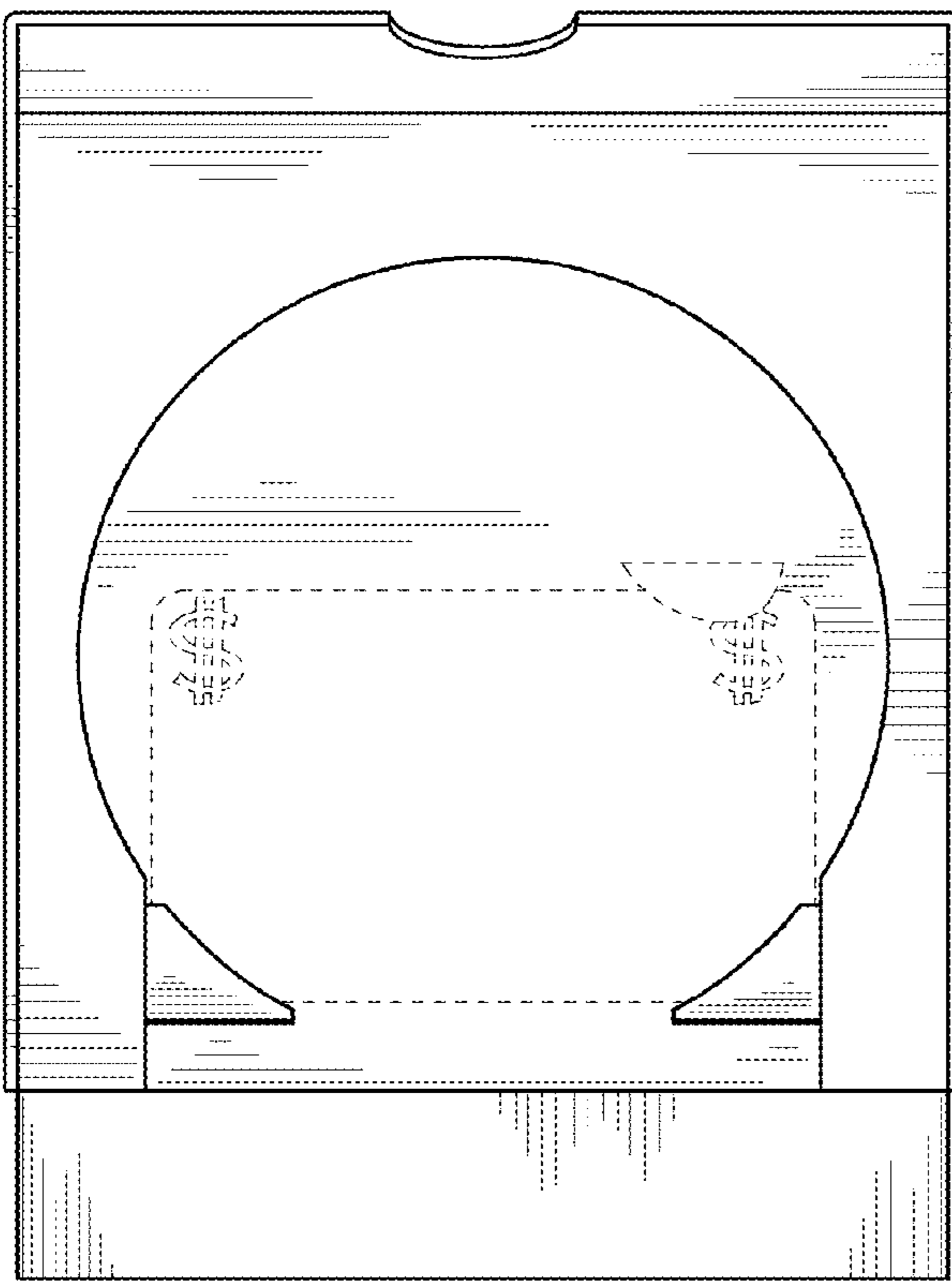


**Fig. 3**

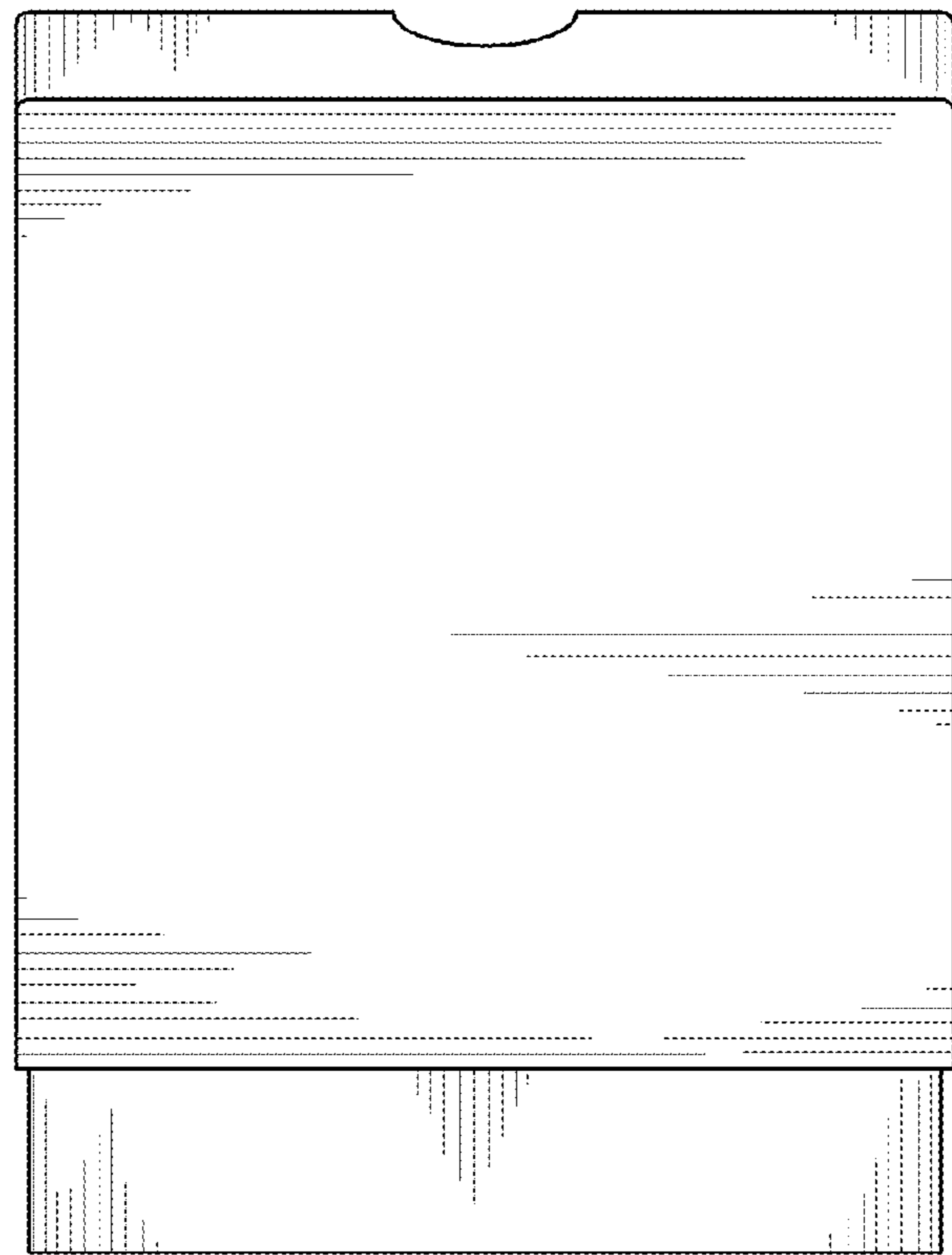


**Fig. 4**

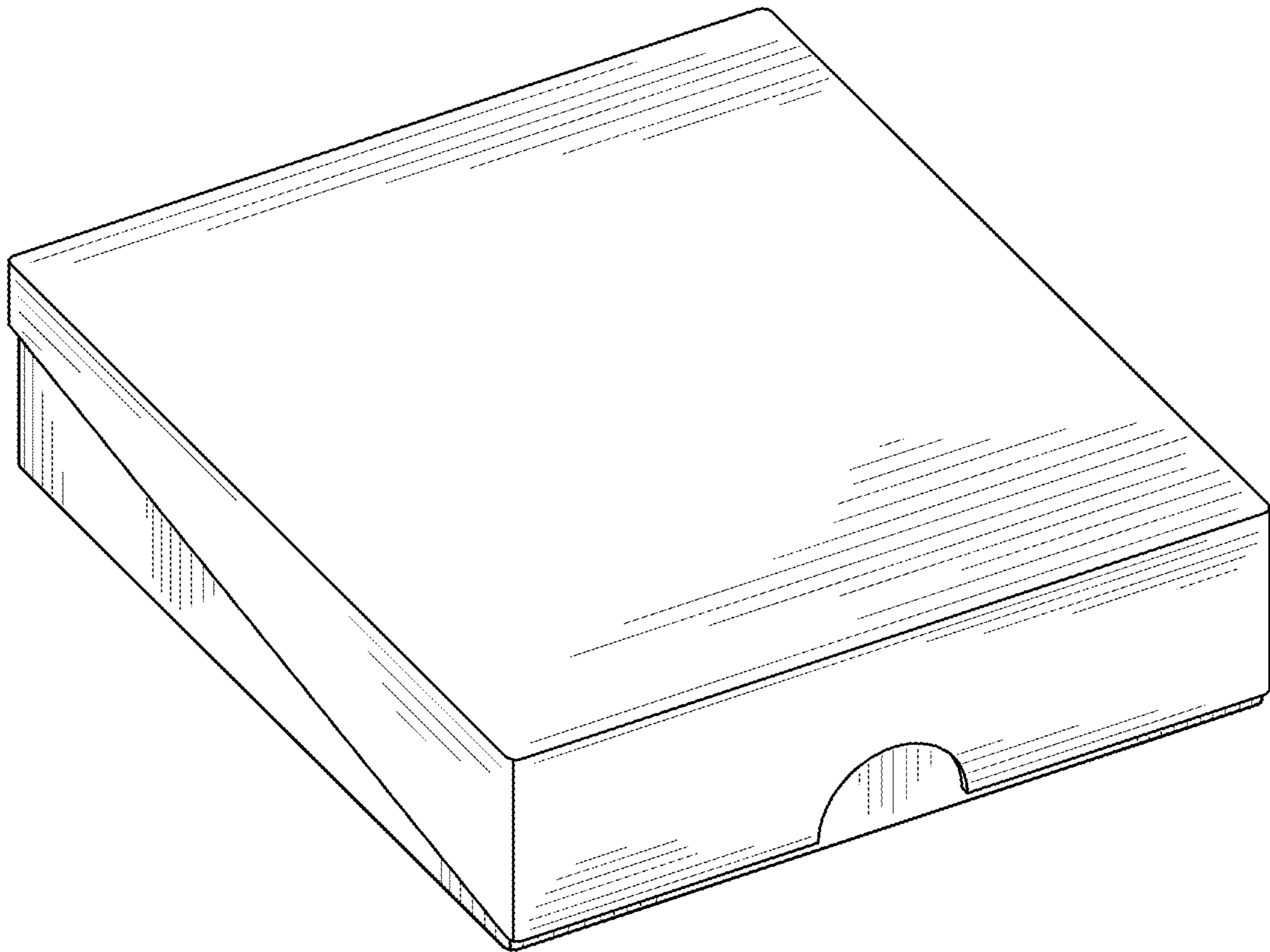




**Fig. 5**



**Fig. 6**



**Fig. 7**