

US00D890604S

(12) **United States Design Patent**  
**Kirkpatrick**

(10) **Patent No.:** **US D890,604 S**

(45) **Date of Patent:** **\*\* Jul. 21, 2020**

- (54) **ADAPTER**
- (71) Applicant: **Roger Kirkpatrick**, Moreno Valley, CA (US)
- (72) Inventor: **Roger Kirkpatrick**, Moreno Valley, CA (US)
- (\*\*) Term: **15 Years**
- (21) Appl. No.: **29/659,154**
- (22) Filed: **Aug. 7, 2018**
- (51) **LOC (12) Cl.** ..... **08-08**
- (52) **U.S. Cl.**  
USPC ..... **D8/397**
- (58) **Field of Classification Search**  
USPC ..... D8/399, 382, 397, 394, 349; 411/140, 411/508, 418, 427, 374; 72/267; 292/327; 248/318; 29/434; 24/595.1  
CPC ..... F16B 43/00; F16B 35/00; F16B 37/14; F16B 23/0061; F16B 41/002; E04G 25/065; E04D 13/1476; A61B 17/0401  
See application file for complete search history.

- D290,639 S \* 6/1987 Movshovitz ..... D23/209
- D325,226 S \* 4/1992 Bryen ..... D21/478
- 5,147,093 A \* 9/1992 Tisdale ..... A63F 9/0876  
273/153 R
- D335,077 S \* 4/1993 Haney ..... D8/387
- 5,324,149 A \* 6/1994 Bainbridge ..... F16B 37/14  
411/377
- D364,882 S \* 12/1995 Junkers ..... D15/199
- 5,810,532 A \* 9/1998 Huang ..... F16B 37/14  
411/377
- D422,255 S \* 4/2000 Gonzales ..... D12/197
- 6,062,263 A \* 5/2000 Donovan ..... F16B 25/0021  
138/89
- D484,785 S \* 1/2004 Plumer ..... D8/397
- D488,715 S \* 4/2004 Plumer ..... D8/397
- D513,380 S \* 1/2006 Bruni ..... D8/397
- D627,039 S \* 11/2010 Yu ..... D23/260
- D648,006 S \* 11/2011 Morishita ..... D23/259
- D649,031 S \* 11/2011 Rand ..... D8/397
- D669,968 S \* 10/2012 Morishita ..... D23/259

(Continued)

*Primary Examiner* — Cynthia R Underwood  
(74) *Attorney, Agent, or Firm* — Grant's Law firm; Allan Grant

(57) **CLAIM**

I claim the ornamental design for a adapter, as shown and as described.

**DESCRIPTION**

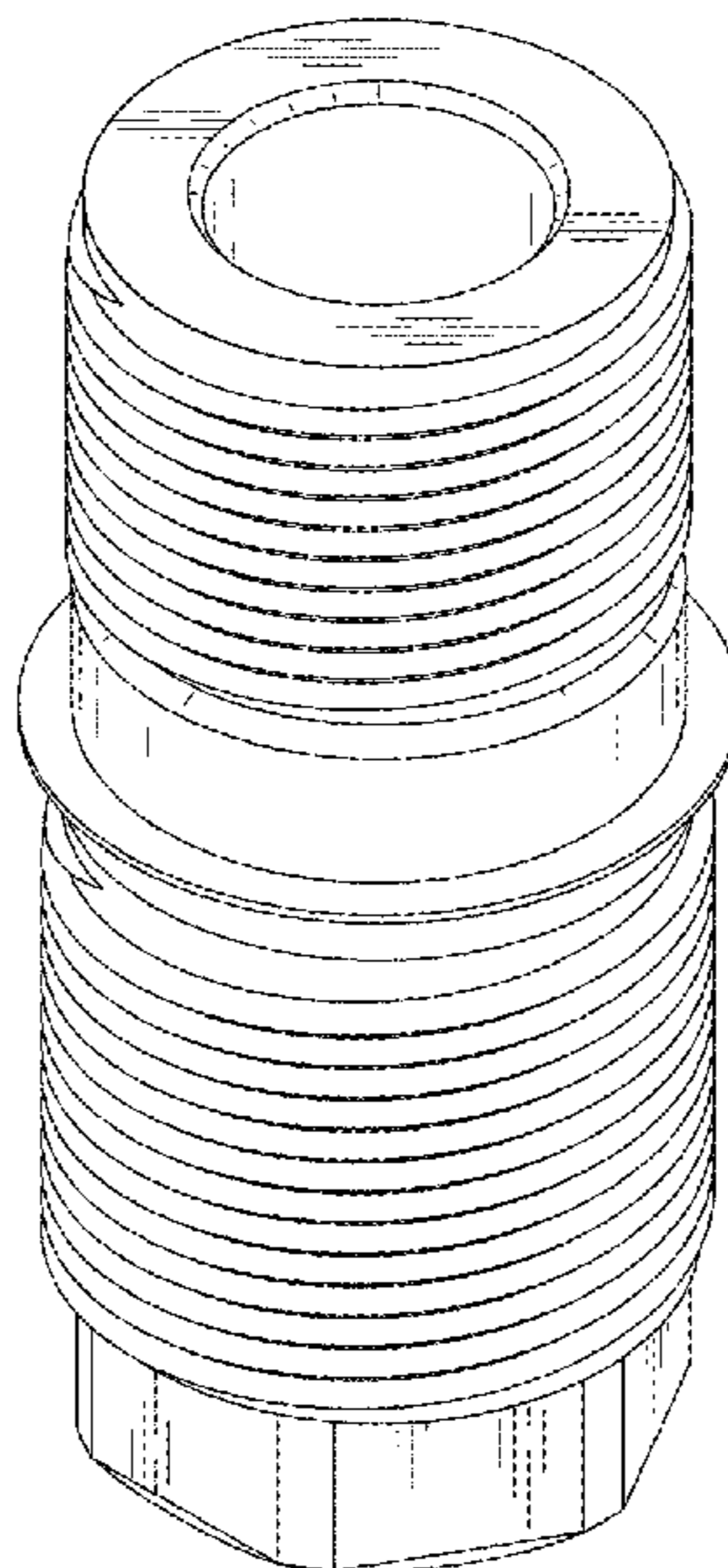
FIG. 1 is a perspective top view of the adapter;  
FIG. 2 is a perspective bottom view of the adapter;  
FIG. 3 is the front view of the adapter;  
FIG. 4 is a back view of the adapter;  
FIG. 5 is a side view of the adapter;  
FIG. 6 is the other side view of the adapter;  
FIG. 7 is a top view of the adapter;  
FIG. 8 is bottom view of the adapter; and,  
FIG. 9 is a cross-section taken in the direction of markers "9-9" on FIG. 6.

**1 Claim, 2 Drawing Sheets**

(56) **References Cited**

U.S. PATENT DOCUMENTS

- 2,440,944 A \* 5/1948 Green ..... F16B 39/286  
411/282
- D157,484 S \* 2/1950 Gade ..... 411/437
- 2,835,720 A \* 5/1958 Buskirk ..... H01M 2/1205  
429/89
- 3,543,826 A \* 12/1970 Forgaard ..... F16B 39/284  
411/284
- D223,231 S \* 4/1972 Miller ..... D8/385
- 3,693,495 A \* 9/1972 Wagner ..... F16B 23/003  
411/377
- 4,337,875 A \* 7/1982 Lyons ..... B65D 51/1611  
220/368
- 4,604,202 A \* 8/1986 Movshovitz ..... B01D 35/02  
210/409



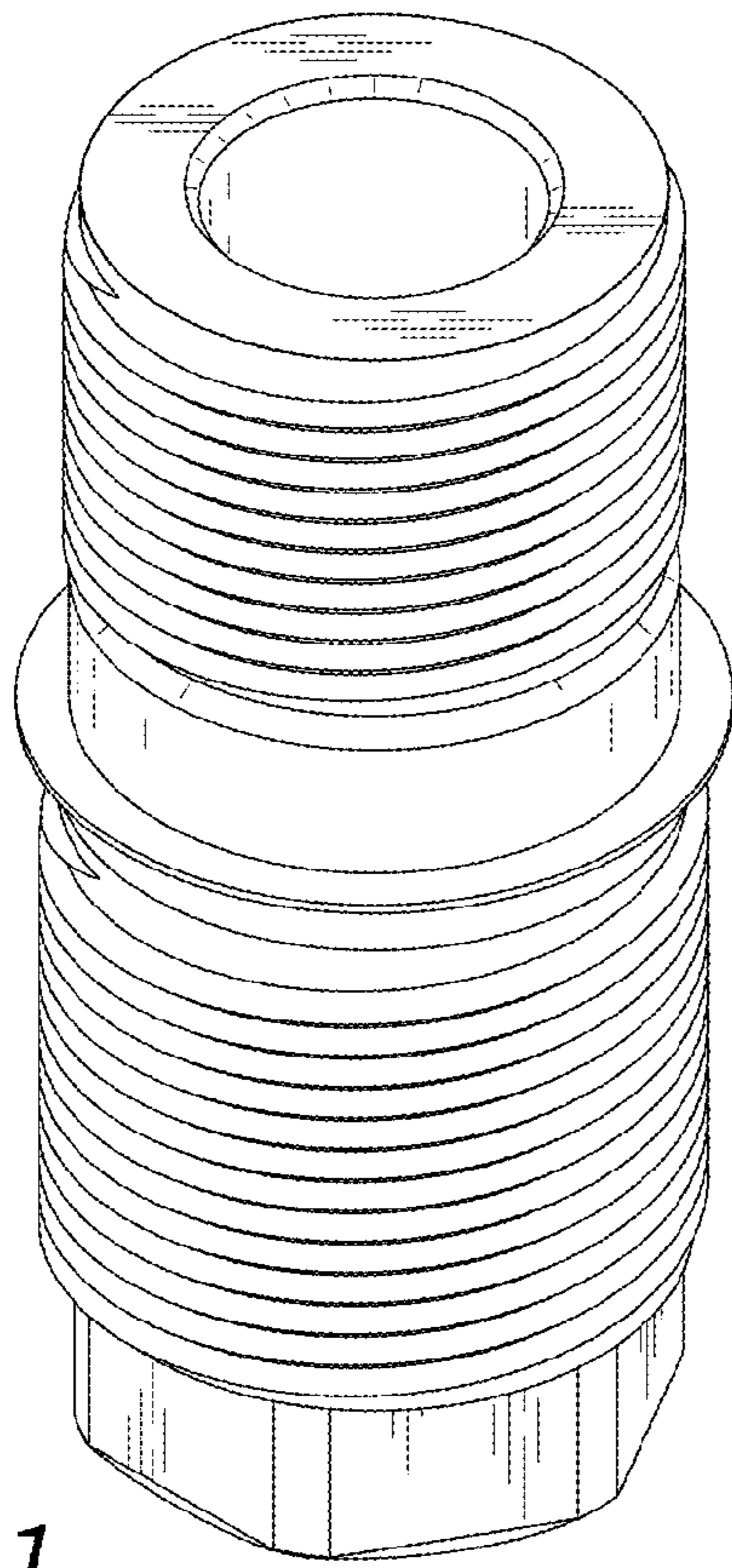
(56)

## References Cited

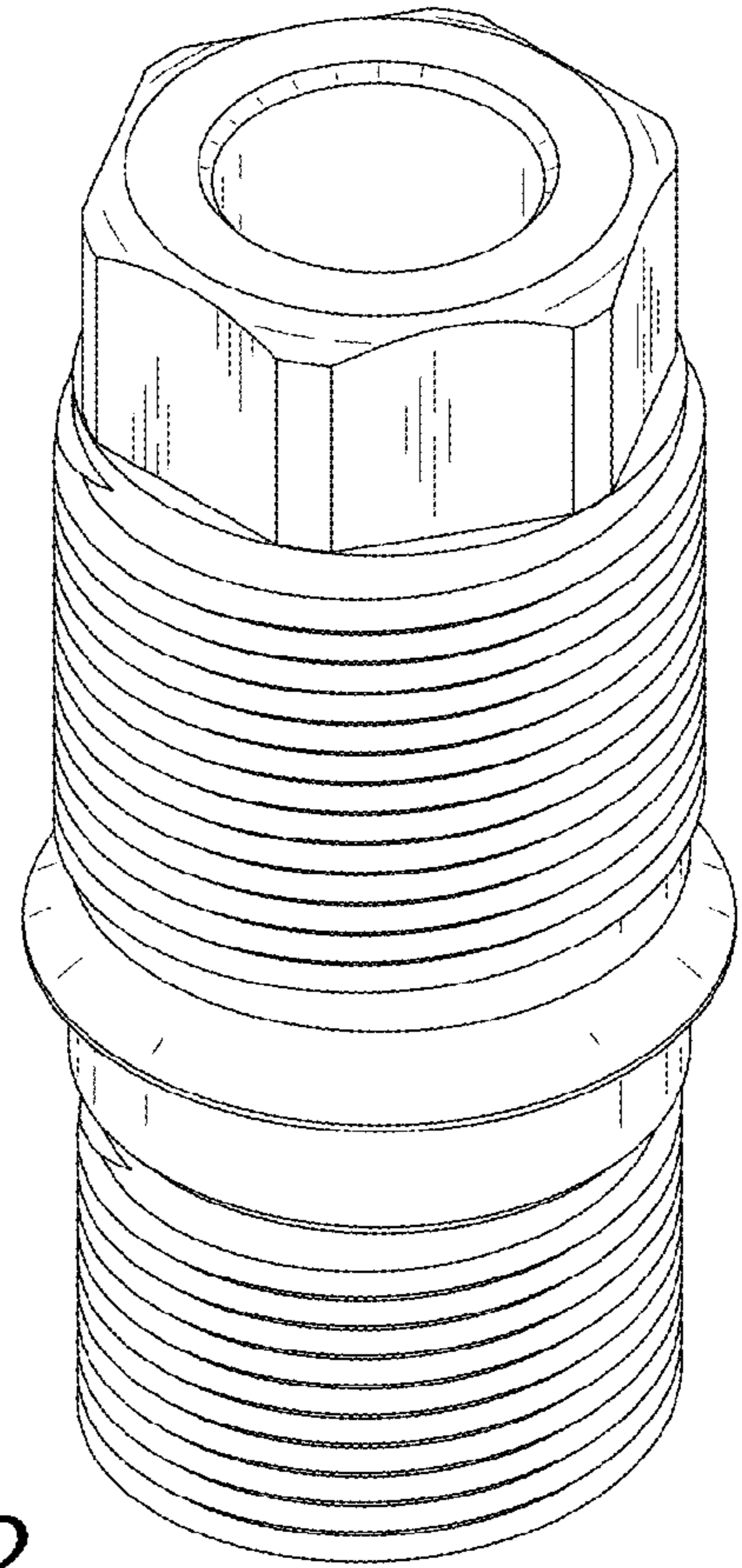
## U.S. PATENT DOCUMENTS

D713,715 S \* 9/2014 Kury ..... D8/397  
D721,423 S \* 1/2015 Jacques ..... D23/260  
D738,714 S \* 9/2015 Kuhmichel ..... D8/397  
D748,227 S \* 1/2016 von Lepel ..... D23/260  
D749,197 S \* 2/2016 Von Lepel ..... D23/260  
D749,198 S \* 2/2016 von Lepel ..... D23/260  
D749,199 S \* 2/2016 von Lepel ..... D23/260  
9,297,407 B2 \* 3/2016 Pudvah ..... F16B 41/002  
D766,069 S \* 9/2016 Miller ..... D8/349  
D766,075 S \* 9/2016 Milbank ..... D8/394  
9,593,707 B2 \* 3/2017 Weis ..... F16B 37/14  
9,624,962 B2 \* 4/2017 Unseld ..... F16B 37/00  
D787,924 S \* 5/2017 Baiz ..... D8/387  
D789,781 S \* 6/2017 Johnson ..... D8/397  
D792,201 S \* 7/2017 Baiz ..... D8/387  
D825,371 S \* 8/2018 Bonner ..... D11/79  
D825,372 S \* 8/2018 Bonner ..... D11/79  
D851,331 S \* 6/2019 Grace ..... D28/18  
D874,245 S \* 2/2020 Whited ..... D8/354  
2003/0068212 A1 \* 4/2003 Wilson ..... F16B 37/14  
411/429  
2004/0065376 A1 \* 4/2004 Kristofferson ..... F01M 11/0408  
138/89  
2008/0095593 A1 \* 4/2008 McLean ..... F16B 5/025  
411/360  
2011/0123293 A1 \* 5/2011 Matlock ..... F16B 37/14  
411/429  
2012/0292235 A1 \* 11/2012 Fink ..... E03F 5/0404  
210/90  
2015/0184687 A1 \* 7/2015 Weis ..... F16B 37/14  
411/373

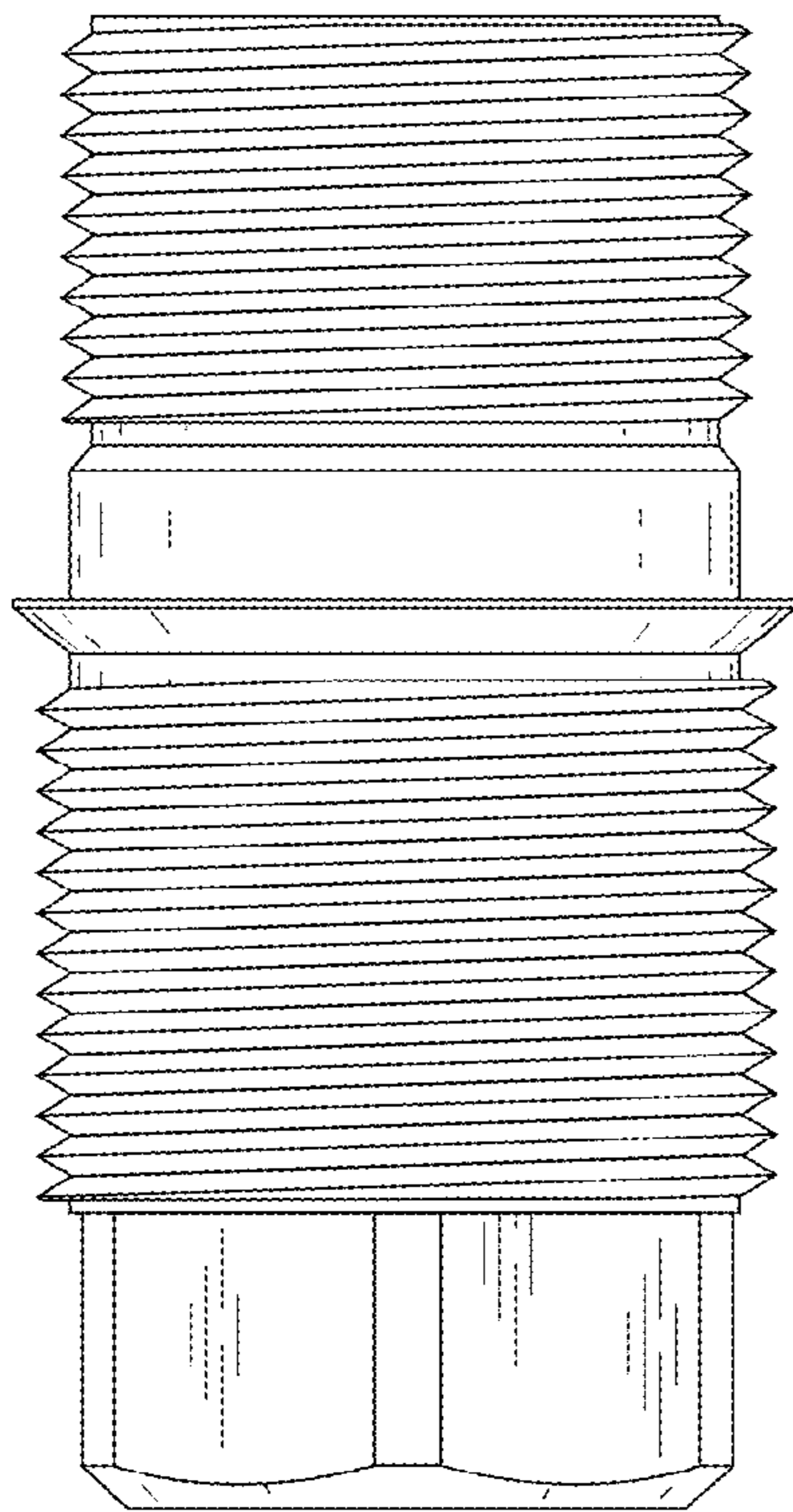
\* cited by examiner



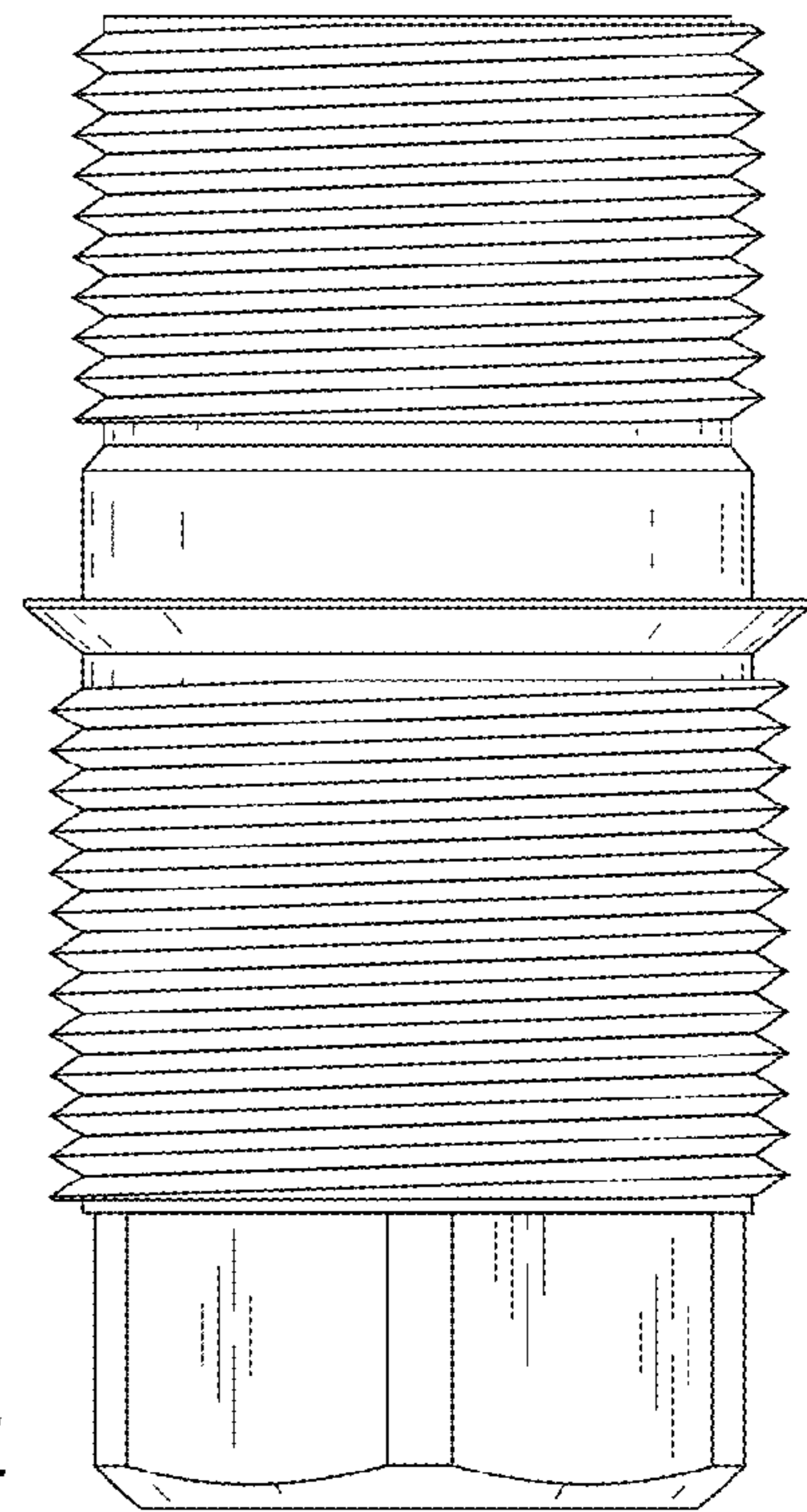
*Fig. 1*



*Fig. 2*



*Fig. 3*



*Fig. 4*

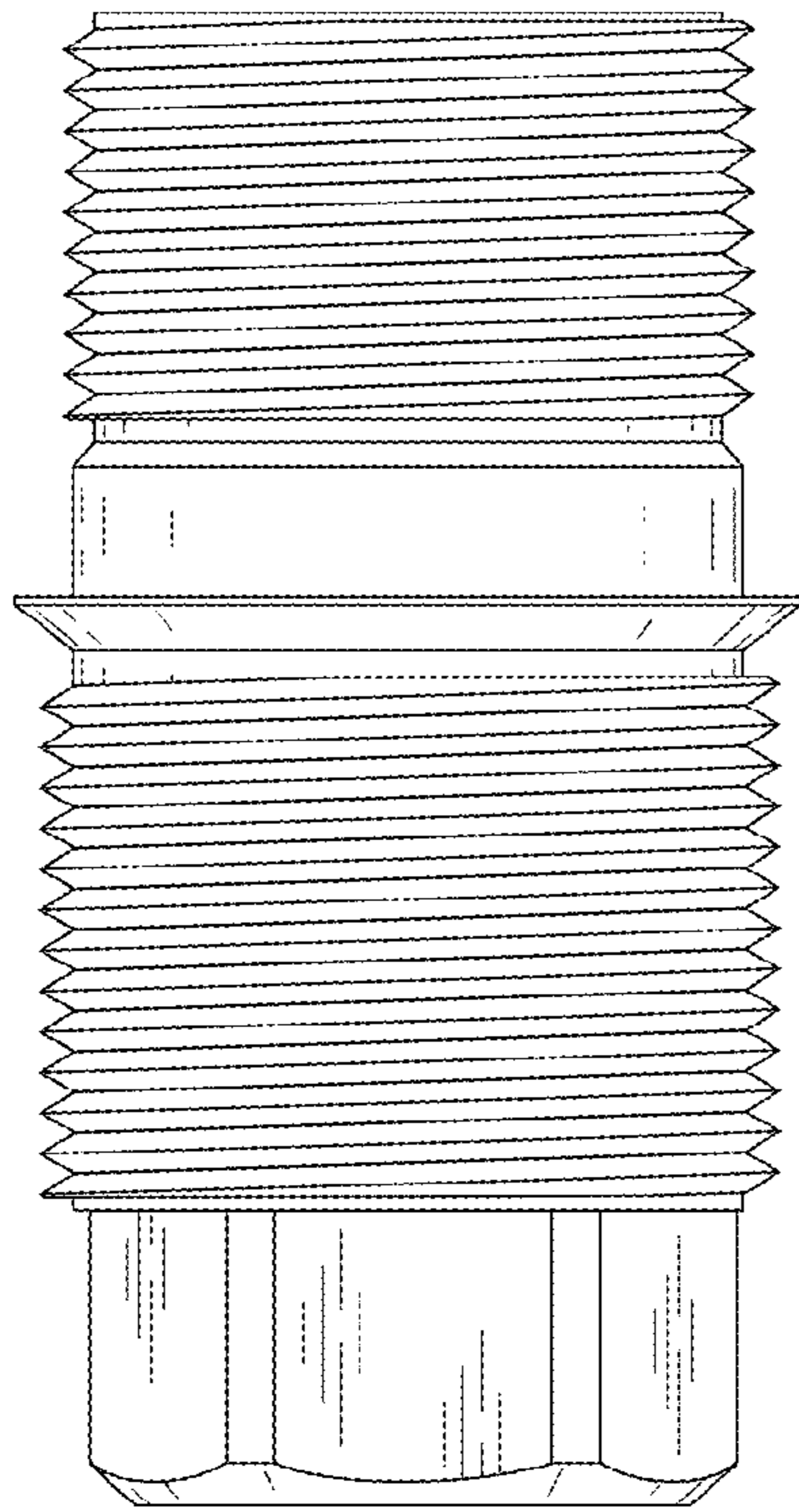


Fig. 5

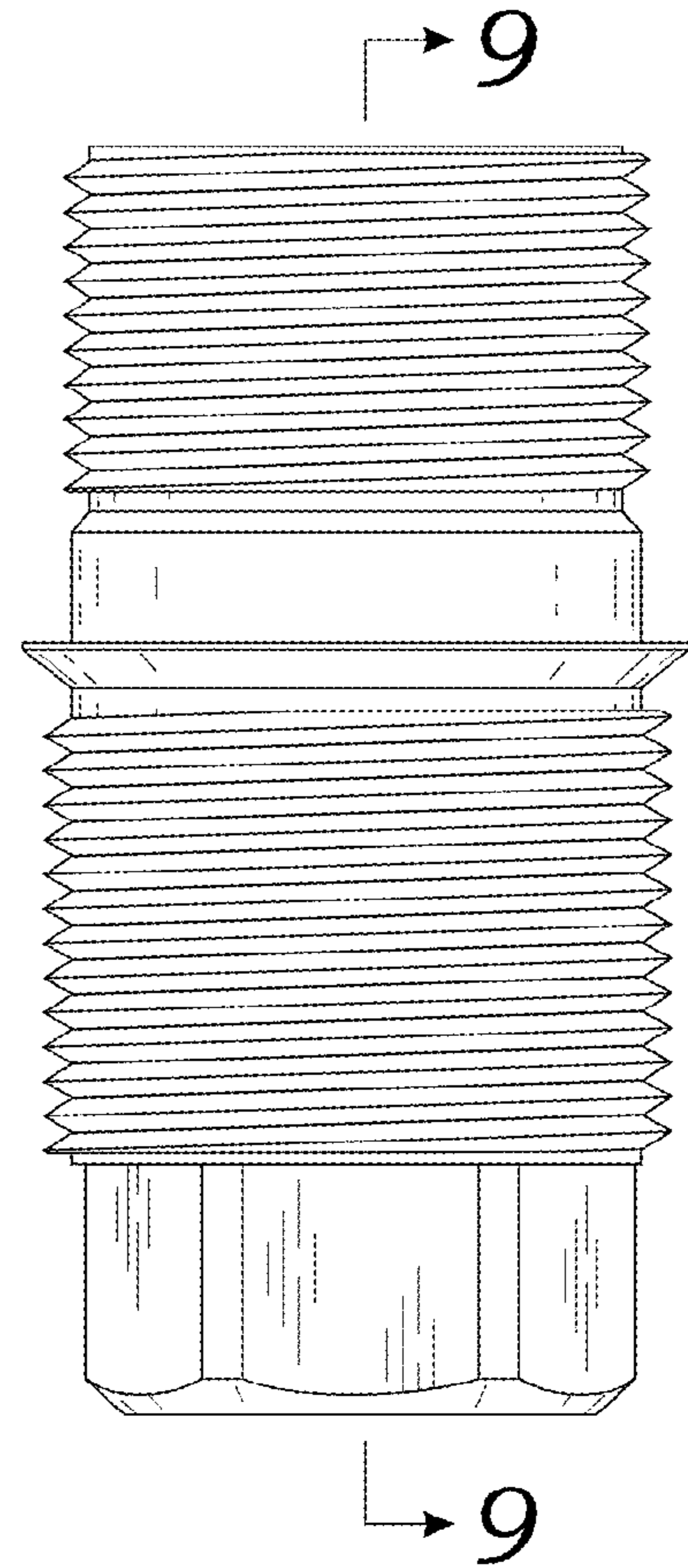


Fig. 6

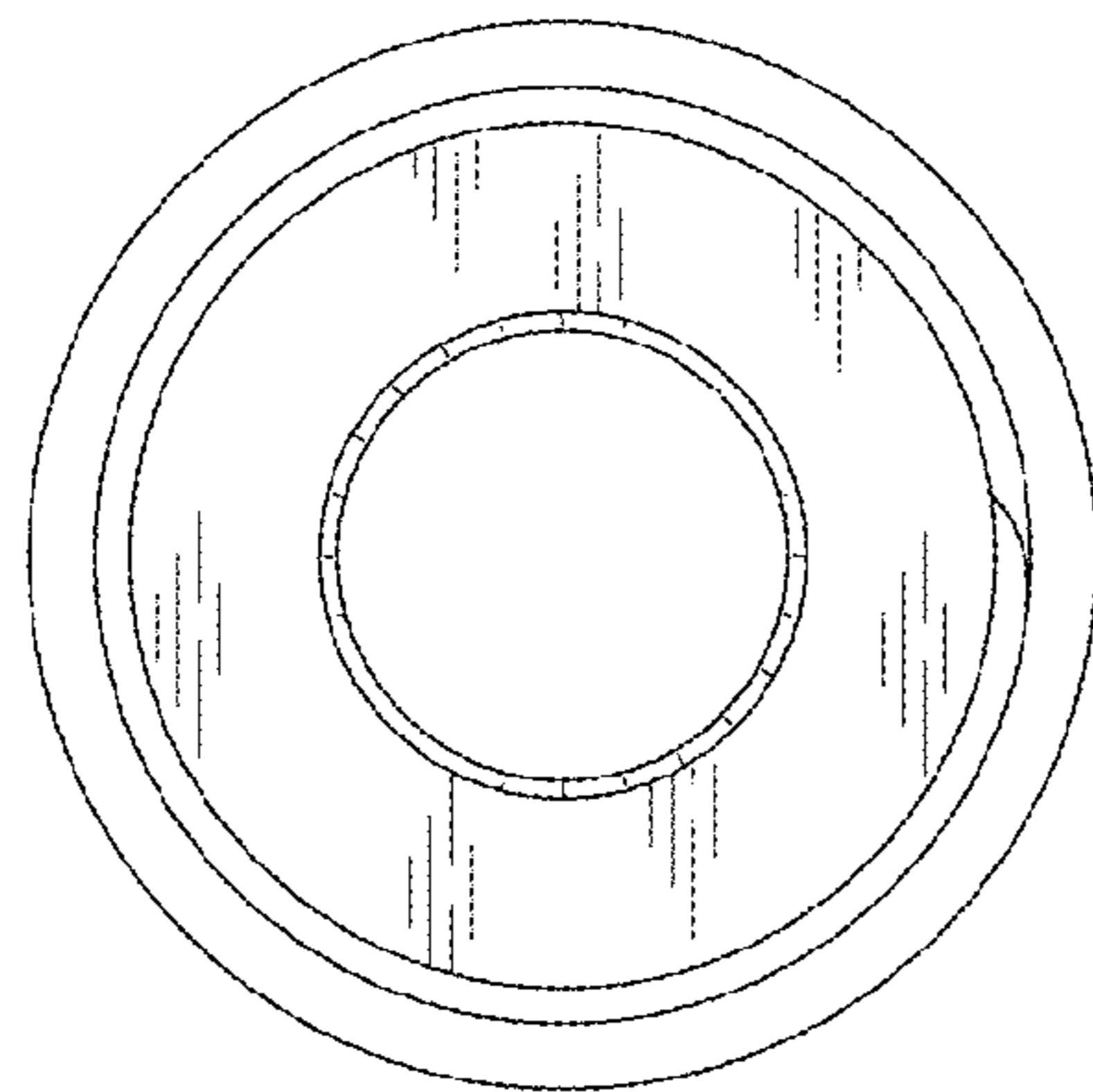


Fig. 7

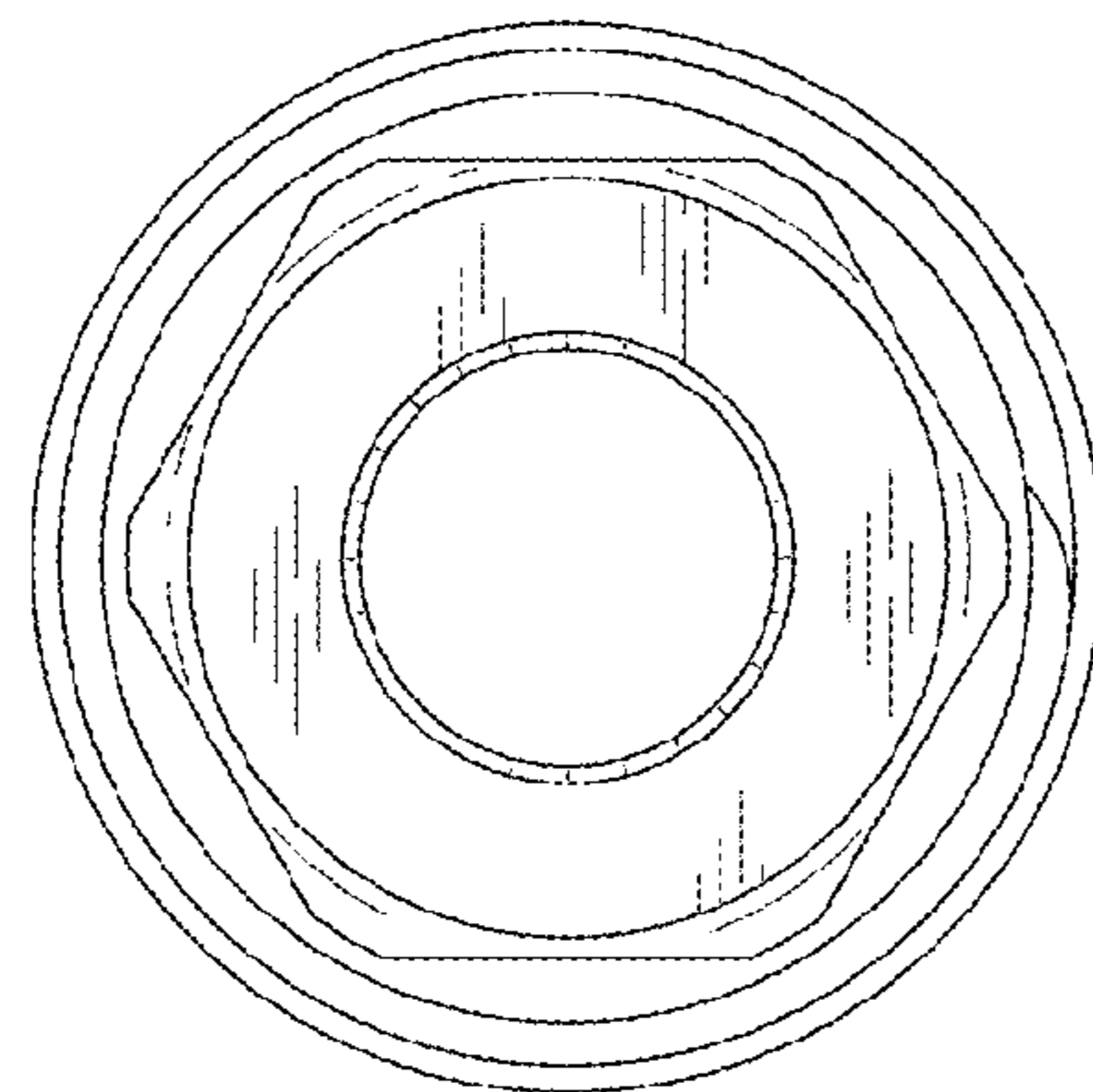


Fig. 8

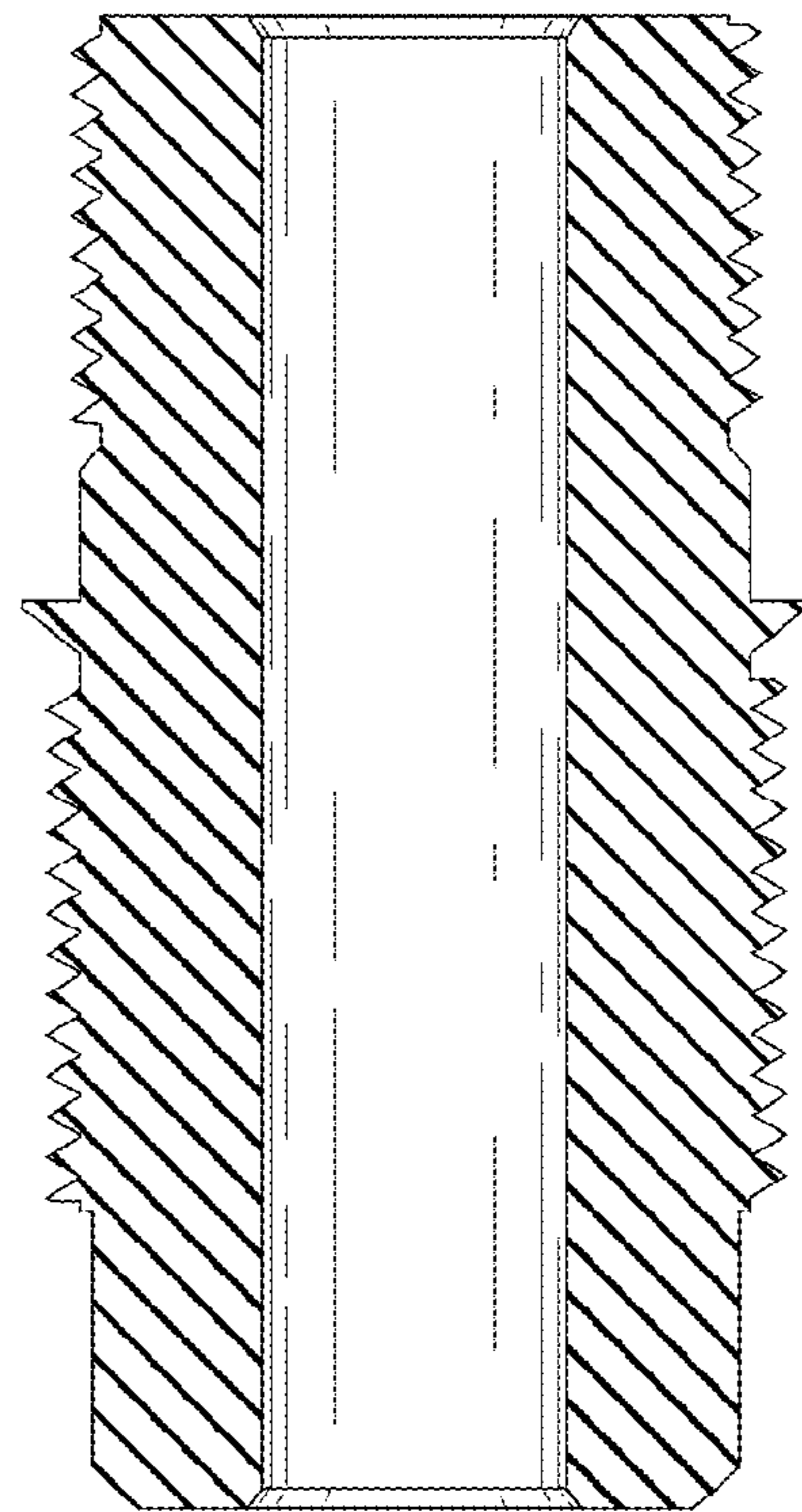


Fig. 9