

US00D890603S

(12) **United States Design Patent**
Maurer

(10) **Patent No.:** **US D890,603 S**

(45) **Date of Patent:** **** Jul. 21, 2020**

- (54) **ANCHOR DEVICE FOR TOOLS**
- (71) Applicant: **Pure Safety Group, Inc.**, Kent, WA (US)
- (72) Inventor: **Blake A. Maurer**, Renton, WA (US)
- (73) Assignee: **Pure Safety Group, Inc.**, Pasadena, TX (US)
- (**) Term: **15 Years**

D523,330	S	*	6/2006	Mattesky	D8/395
D597,827	S	*	8/2009	Brassard	D8/395
D686,910	S	*	7/2013	Towell, Jr.	D8/395
D754,964	S	*	5/2016	Hernandez	D3/207
D787,925	S	*	5/2017	Moerer	D11/208
D810,555	S	*	2/2018	O'Brien	D8/394
D834,932	S	*	12/2018	Babbage	D8/394
D834,933	S	*	12/2018	Pi	D8/395
2006/0213036	A1	*	9/2006	Flowers	A41F 17/02 24/72.1
2015/0157078	A1	*	6/2015	Kendis	A42B 1/24 24/3.12

- (21) Appl. No.: **29/653,361**
- (22) Filed: **Jun. 14, 2018**
- (51) **LOC (12) Cl.** **08-08**
- (52) **U.S. Cl.**
USPC **D8/394**; D8/395
- (58) **Field of Classification Search**
USPC D8/394-396, 72; D19/56, 65;
D32/60-64; D28/40
CPC . D06F 55/00; A44D 2203/00; A61B 17/0664;
A61B 17/04; A61B 17/1265; A43D
79/00; A41B 3/08; A41F 15/02; A62F
2/0063
See application file for complete search history.

* cited by examiner

Primary Examiner — John Windmuller

(74) *Attorney, Agent, or Firm* — Dicke, Billig & Czaja, PLLC

(57) **CLAIM**

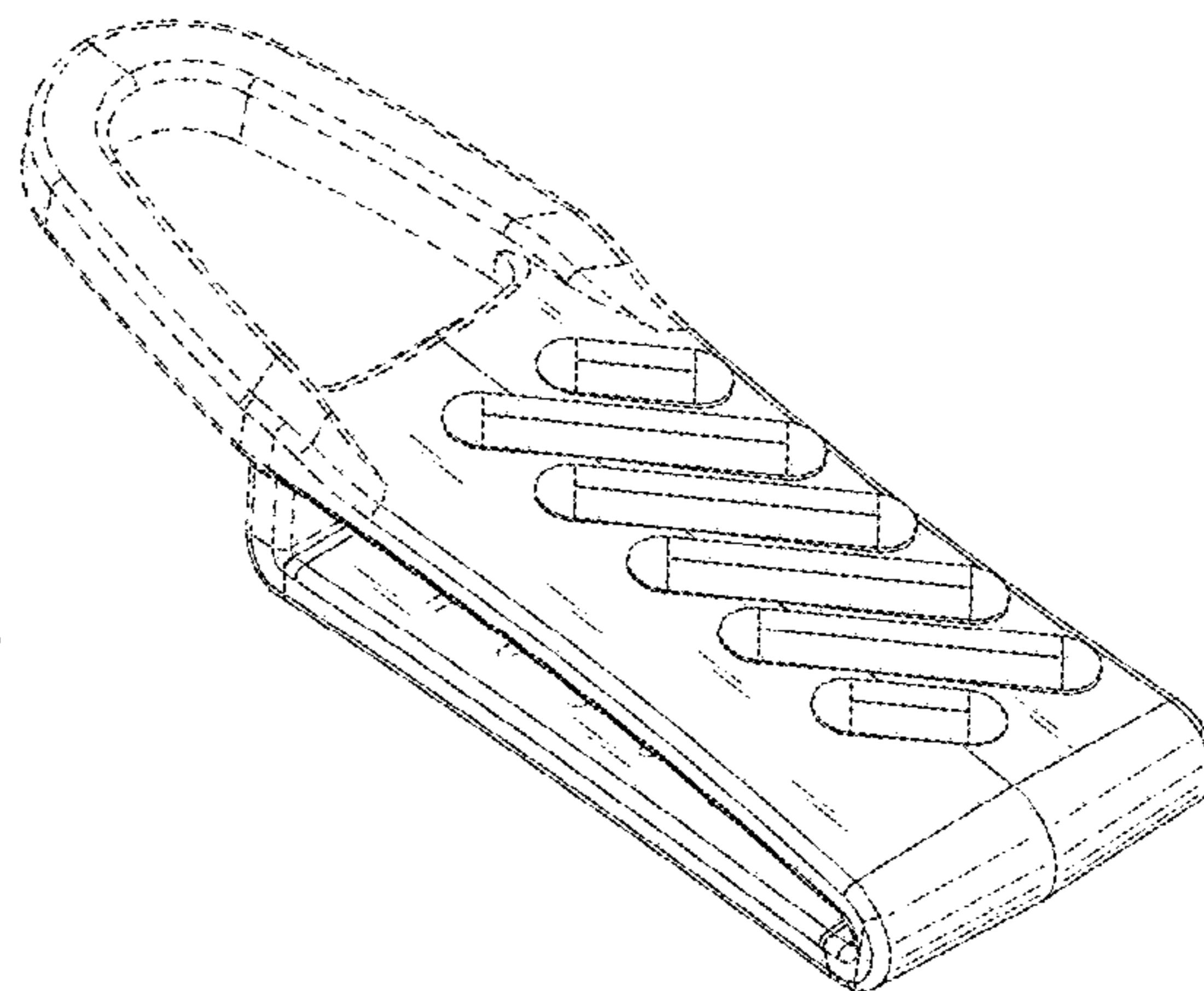
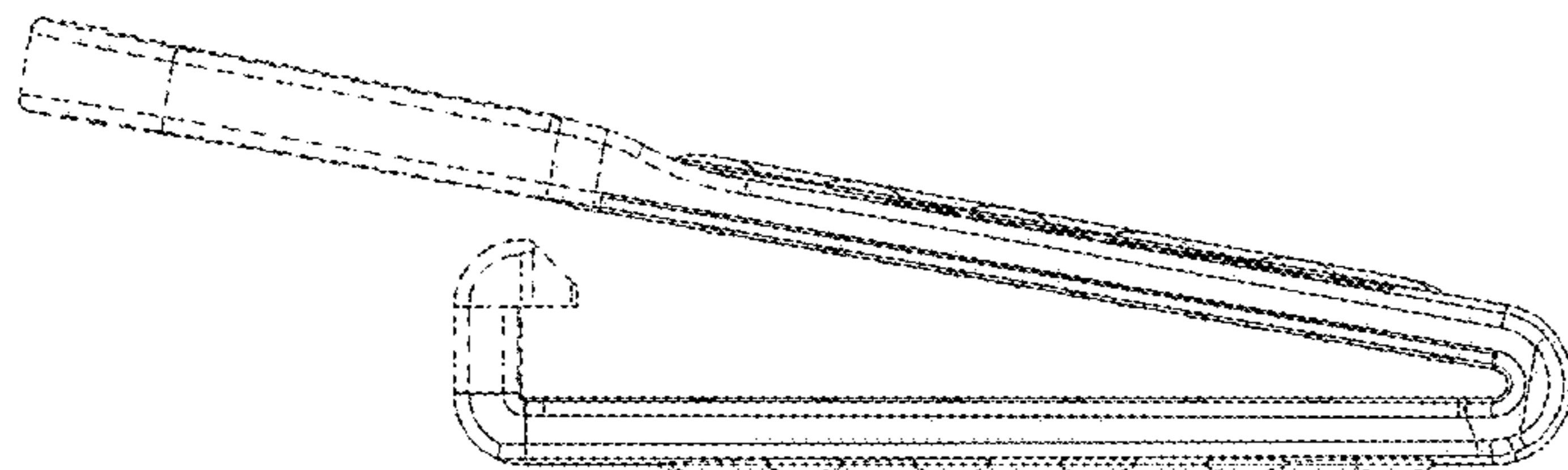
The ornamental design for an anchor device for tools, as shown and described.

DESCRIPTION

FIG. 1 is a front view of an anchor device for tools showing my new design;
 FIG. 2 is a rear view thereof;
 FIG. 3 is a top view thereof;
 FIG. 4 is a bottom view thereof;
 FIG. 5 is a left side view thereof;
 FIG. 6 is a right side view thereof; and,
 FIG. 7 is a perspective view thereof.

The portions of the anchor device for tools bounded by broken lines and having no shading form no part of the claimed design.

1 Claim, 7 Drawing Sheets



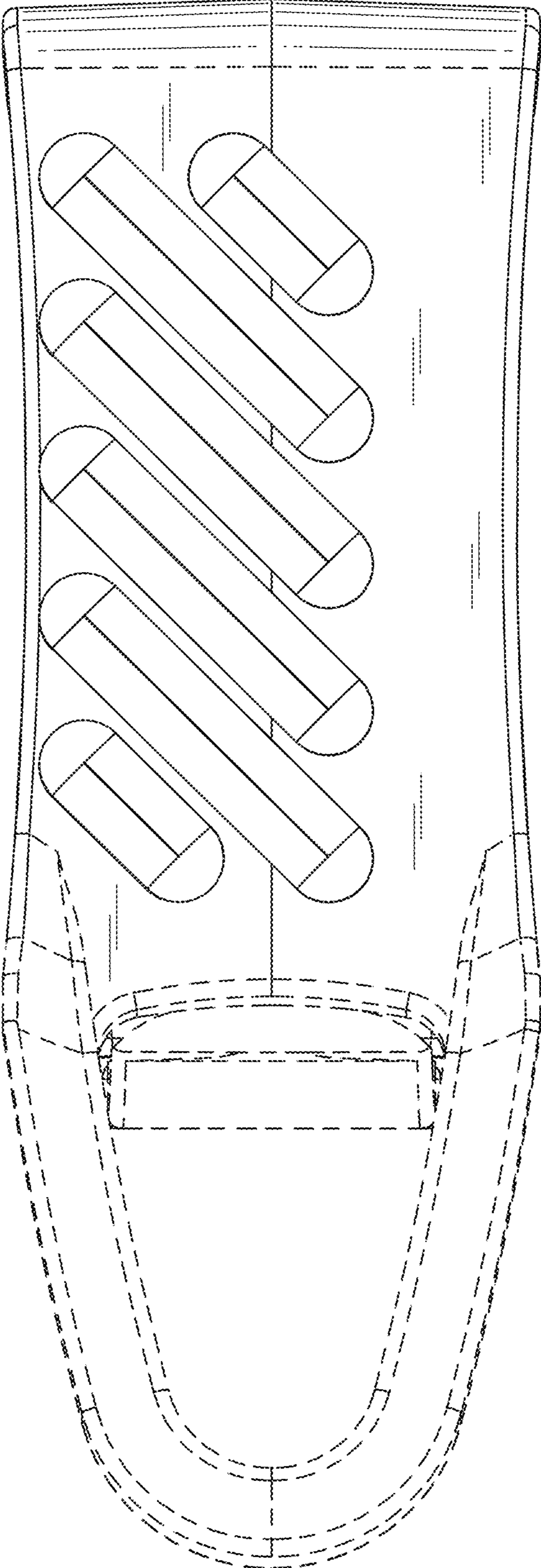


FIG. 1

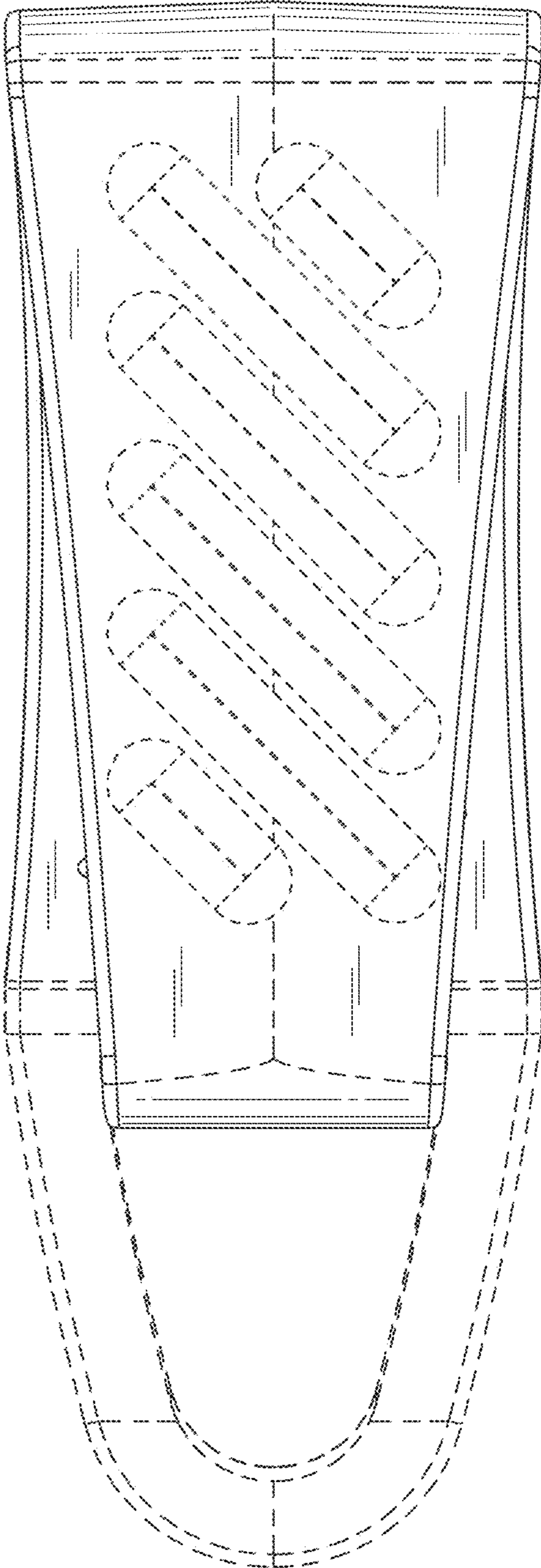
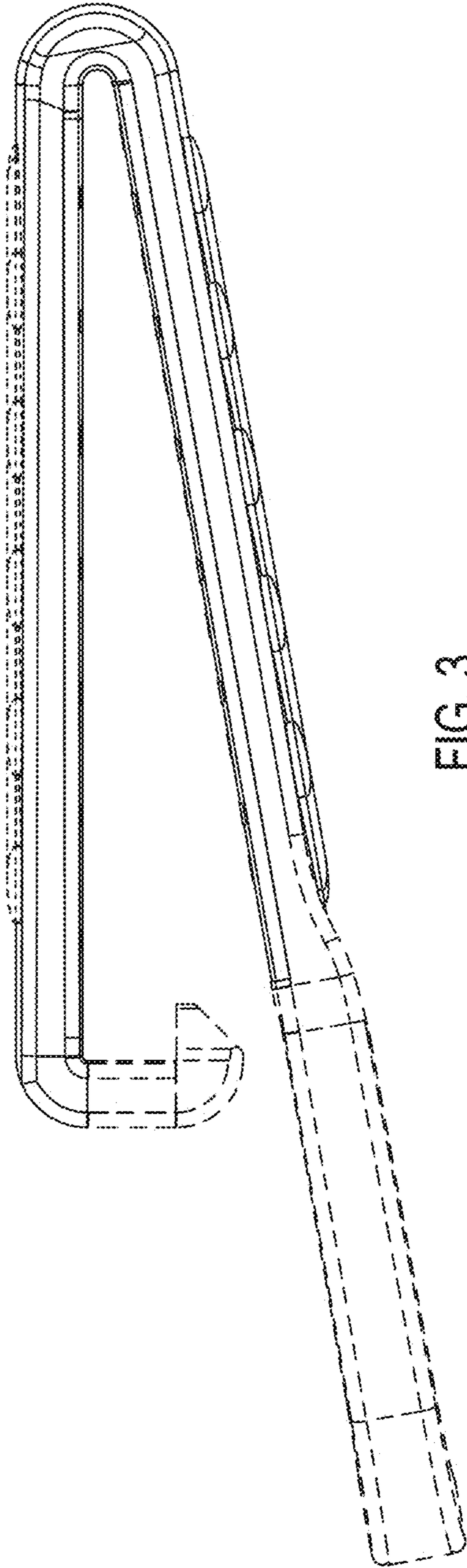


FIG. 2



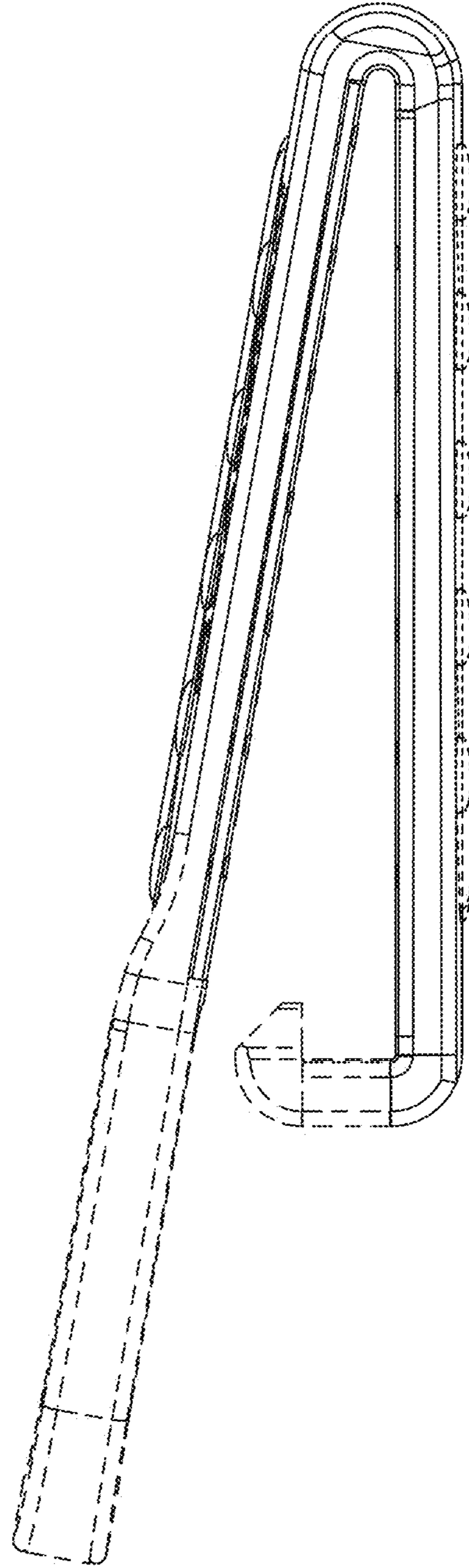


FIG. 4

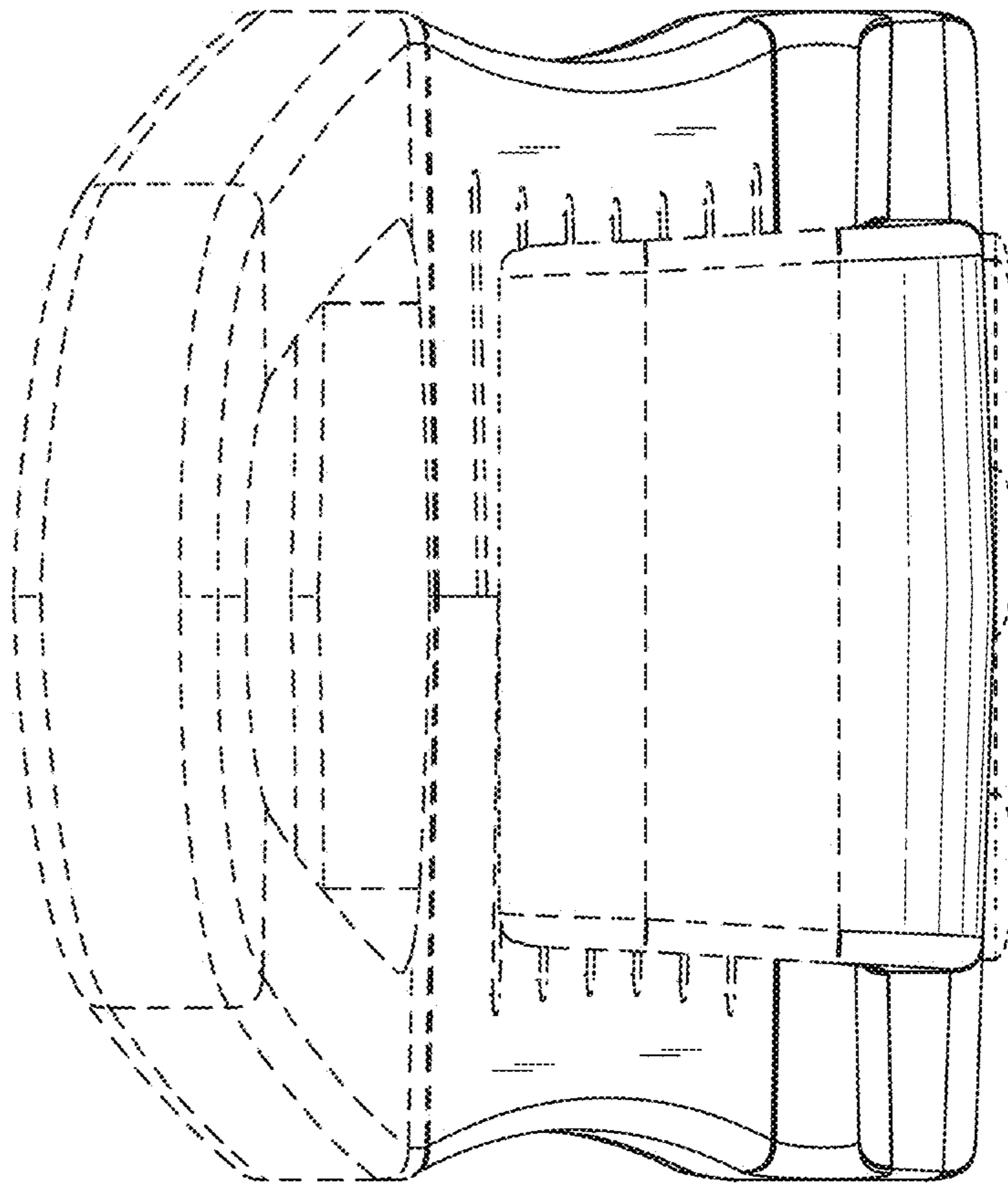


FIG. 5

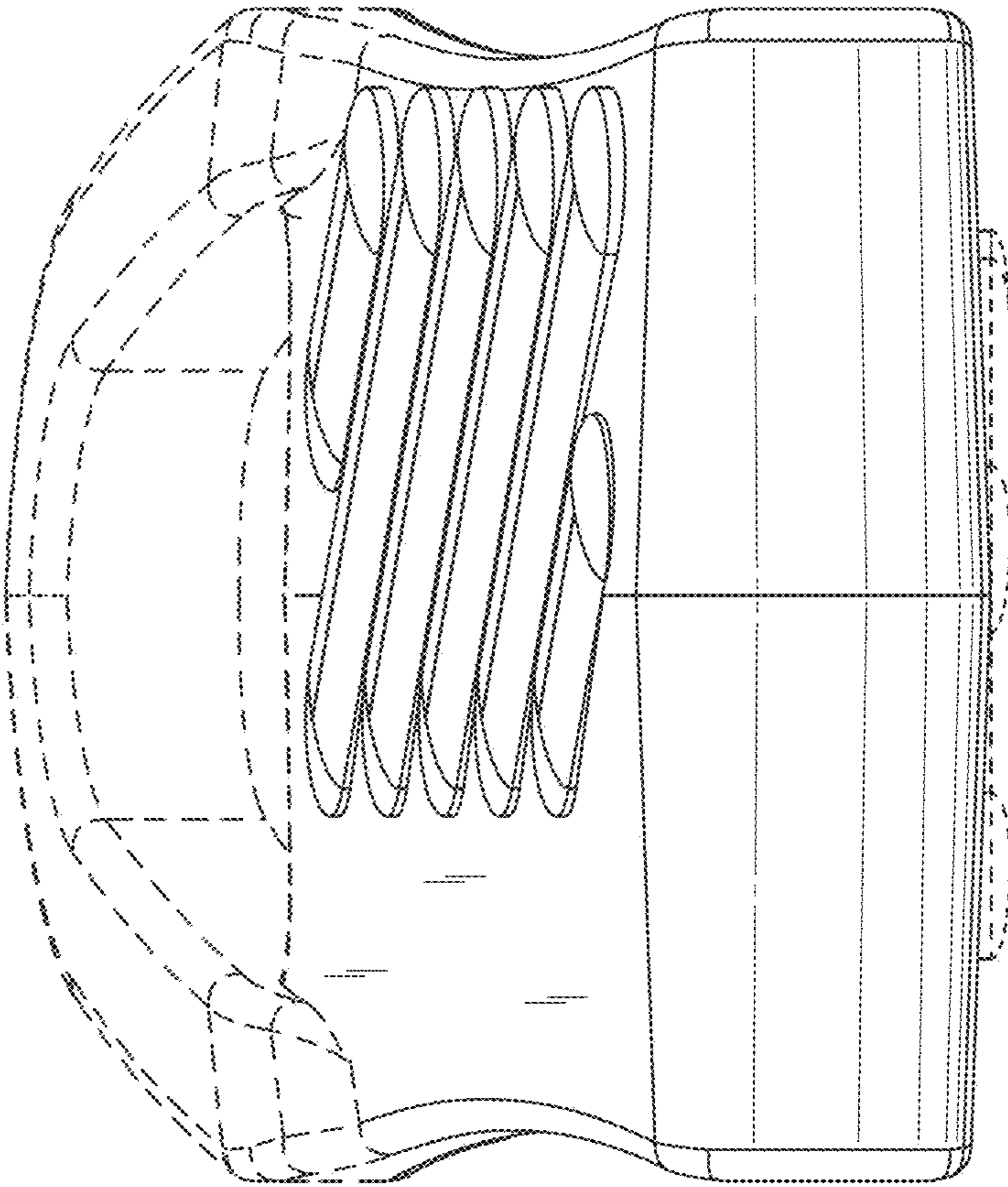


FIG. 6

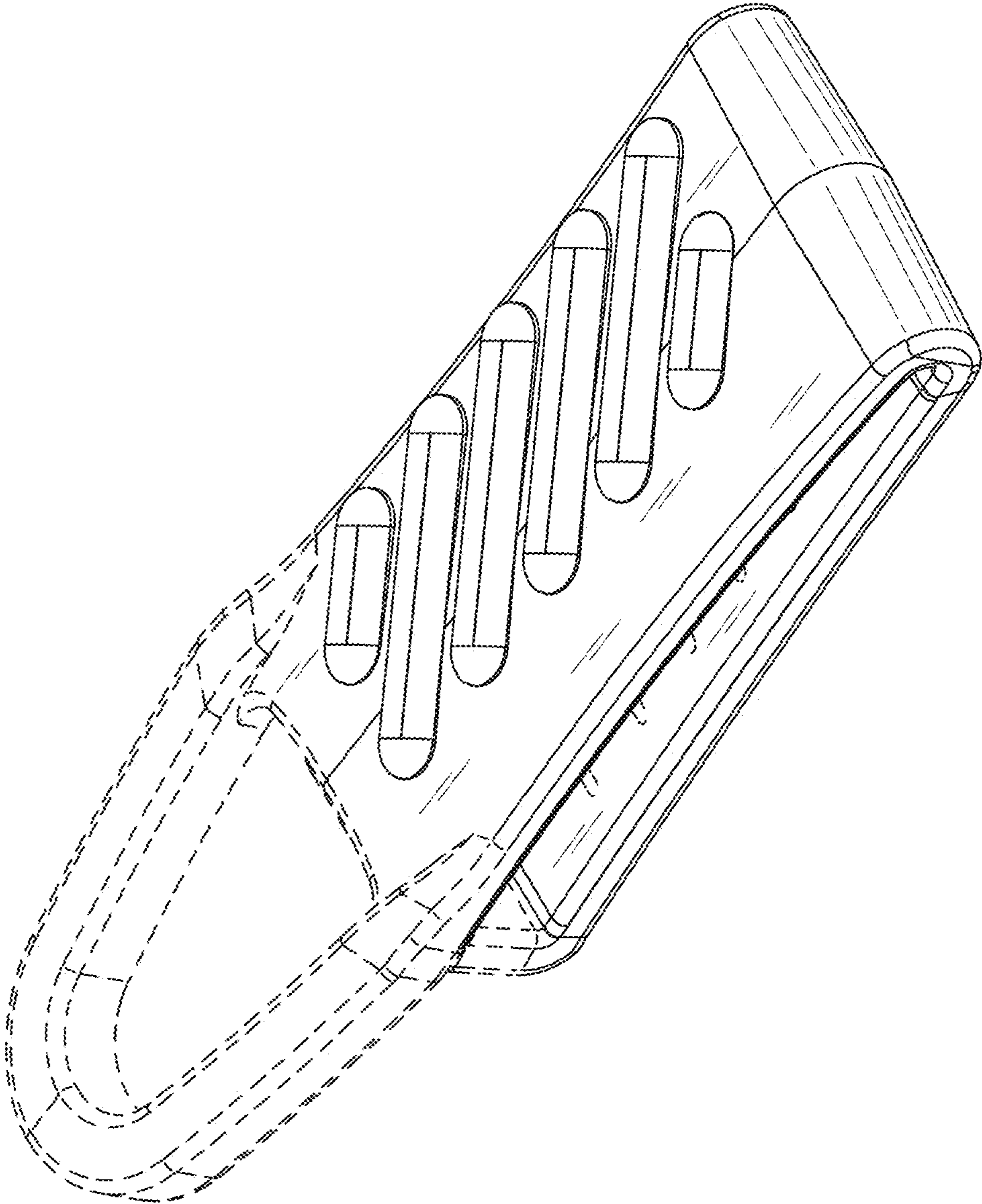


FIG. 7