



US00D890602S

(12) **United States Design Patent**
Gori et al.

(10) **Patent No.:** **US D890,602 S**

(45) **Date of Patent:** **** *Jul. 21, 2020**

(54) **GUTTER GUARD BRACKET**

(71) Applicant: **LEAFFILTER NORTH, LLC**,
Hudson, OH (US)

(72) Inventors: **Michael Gori**, Norton, OH (US);
Michael J. Peck, Fairlawn, OH (US);
Scott M. Garbe, Massillon, OH (US)

(73) Assignee: **LEAFFILTER NORTH, LLC**,
Hudson, OH (US)

(*) Notice: This patent is subject to a terminal disclaimer.

(**) Term: **15 Years**

(21) Appl. No.: **29/647,741**

(22) Filed: **May 15, 2018**

(51) **LOC (12) Cl.** **08-08**

(52) **U.S. Cl.**
USPC **D8/394**

(58) **Field of Classification Search**
USPC D8/349, 354, 366, 380, 382, 394, 395,
D8/499; D23/259, 262, 267
CPC . E04D 1/34; E04D 2001/3452; E04D 13/064;
E04D 13/068; E04D 5/145
See application file for complete search history.

(56) **References Cited**

U.S. PATENT DOCUMENTS

2,997,763	A *	8/1961	Serfass	E04D 13/076 24/531
3,420,378	A *	1/1969	Turner	E04D 13/076 210/474
3,599,916	A *	8/1971	Szabo	F16L 3/24 24/339
D265,625	S *	8/1982	Buck	D8/354
4,395,852	A *	8/1983	Tang	E04D 13/076 52/12

(Continued)

Primary Examiner — John Windmuller

Assistant Examiner — Steven J Czyz

(74) *Attorney, Agent, or Firm* — Benesch, Friedlander,
Coplan & Aronoff LLP

(57) **CLAIM**

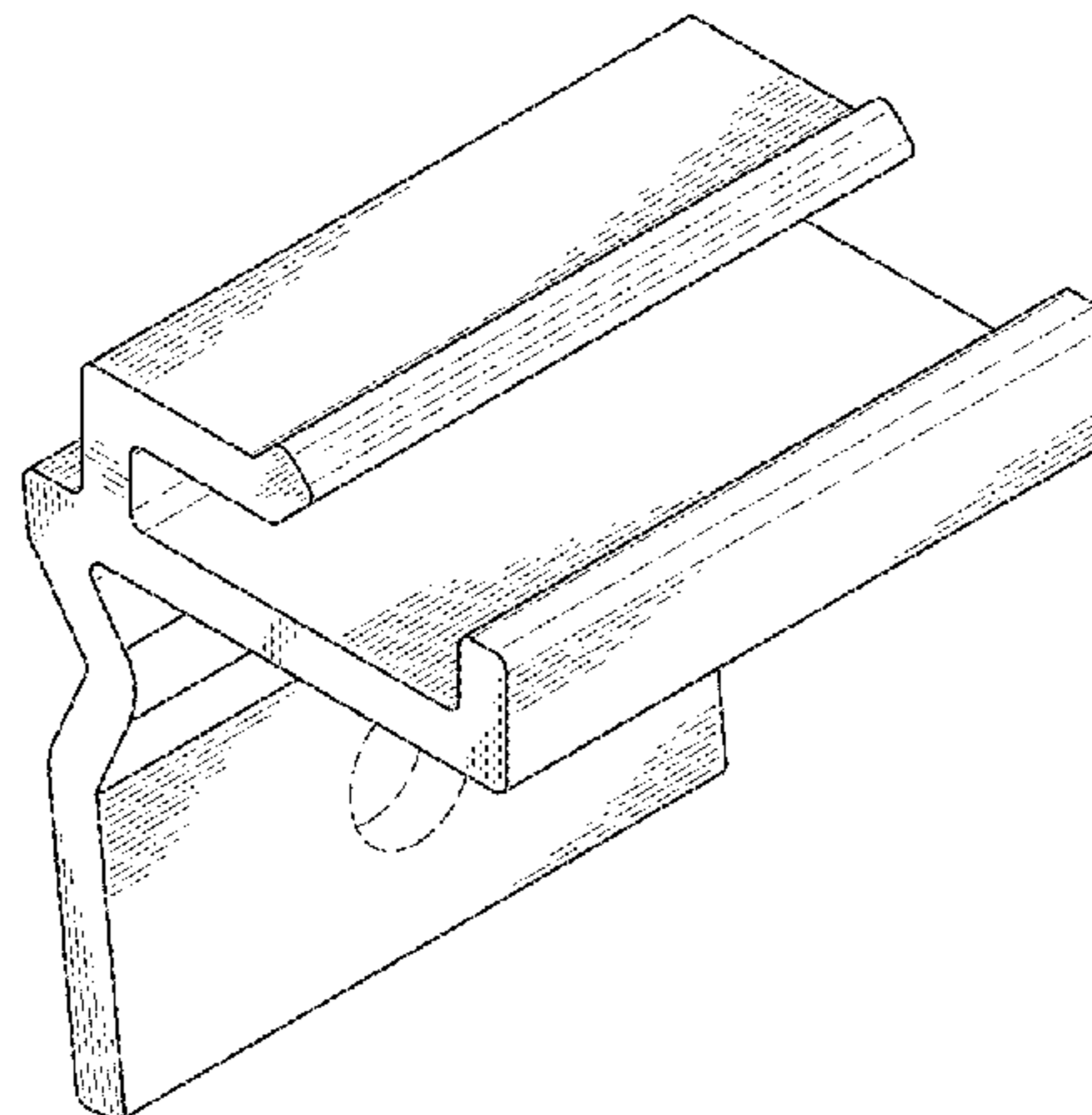
The ornamental design for a gutter guard bracket, as shown and described.

DESCRIPTION

FIG. 1 is a perspective view of a gutter guard bracket;
 FIG. 2 is a right-side elevation view of the gutter guard bracket of FIG. 1;
 FIG. 3 is a left-side elevation view of the gutter guard bracket of FIG. 1;
 FIG. 4 is a front elevation view of the gutter guard bracket of FIG. 1;
 FIG. 5 is a rear elevation view of the gutter guard bracket of FIG. 1;
 FIG. 6 is a top plan view of the gutter guard bracket of FIG. 1;
 FIG. 7 is a bottom plan view of the gutter guard bracket of FIG. 1;
 FIG. 8 is a perspective view of a second embodiment of the gutter guard bracket;
 FIG. 9 is a right-side elevation view of the gutter guard bracket of FIG. 8;
 FIG. 10 is a left-side elevation view of the gutter guard bracket of FIG. 8;
 FIG. 11 is a front elevation view of the gutter guard bracket of FIG. 8;
 FIG. 12 is a rear elevation view of the gutter guard bracket of FIG. 8;
 FIG. 13 is a top plan view of the gutter guard bracket of FIG. 8; and,
 FIG. 14 is a bottom plan view of the gutter guard bracket of FIG. 8.

The broken lines depict portions of the article that form no part of the claimed design.

1 Claim, 14 Drawing Sheets



(56)

References Cited

U.S. PATENT DOCUMENTS

4,467,570 A * 8/1984 Kriegel E04D 13/076
210/162
4,506,479 A * 3/1985 Matthison-Hansen
E04D 13/0722
52/15
D298,738 S * 11/1988 Rumpel D8/371
4,965,969 A * 10/1990 Antenen E04D 13/076
248/48.1
D317,558 S * 6/1991 Daigle D8/354
D341,078 S * 11/1993 Saavedra D8/395
5,570,860 A * 11/1996 Schoenherr E04D 13/0725
248/48.2
D410,192 S * 5/1999 Giese D8/354
6,047,502 A * 4/2000 Kimmitt E04D 13/076
52/11
D437,546 S * 2/2001 McElroy, Jr. D8/380
D438,778 S * 3/2001 Ribe D8/354
D468,812 S * 1/2003 Doyle D23/267
D471,788 S * 3/2003 Gebara D8/354
D472,456 S * 4/2003 Snyder D8/353

D481,932 S * 11/2003 Bess D25/141
6,959,512 B2 * 11/2005 Cobb E04D 13/0481
219/213
D532,291 S * 11/2006 Geers D8/394
D557,112 S * 12/2007 Franssen D8/349
D559,053 S * 1/2008 Tsuda D8/14
D612,919 S * 3/2010 DeHart, Sr. D23/267
8,225,556 B2 * 7/2012 Brown E04D 13/076
248/48.1
8,322,081 B2 * 12/2012 Desotell E04D 13/0765
248/48.1
D739,709 S * 9/2015 Wright D8/354
D751,024 S * 3/2016 Burhanidust D12/223
D767,382 S * 9/2016 Libreiro D25/119
D781,681 S * 3/2017 Nagaki D8/354
9,631,369 B2 * 4/2017 Cullen E04D 13/068
D821,858 S * 7/2018 Bergelin D8/382
D831,175 S * 10/2018 Jackson D23/267
D834,397 S * 11/2018 Macdonald D8/349
D834,398 S * 11/2018 Macdonald D8/349
D834,399 S * 11/2018 Macdonald D8/349
D834,400 S * 11/2018 Macdonald D8/349
10,190,318 B2 * 1/2019 Iannelli E04D 13/0725

* cited by examiner

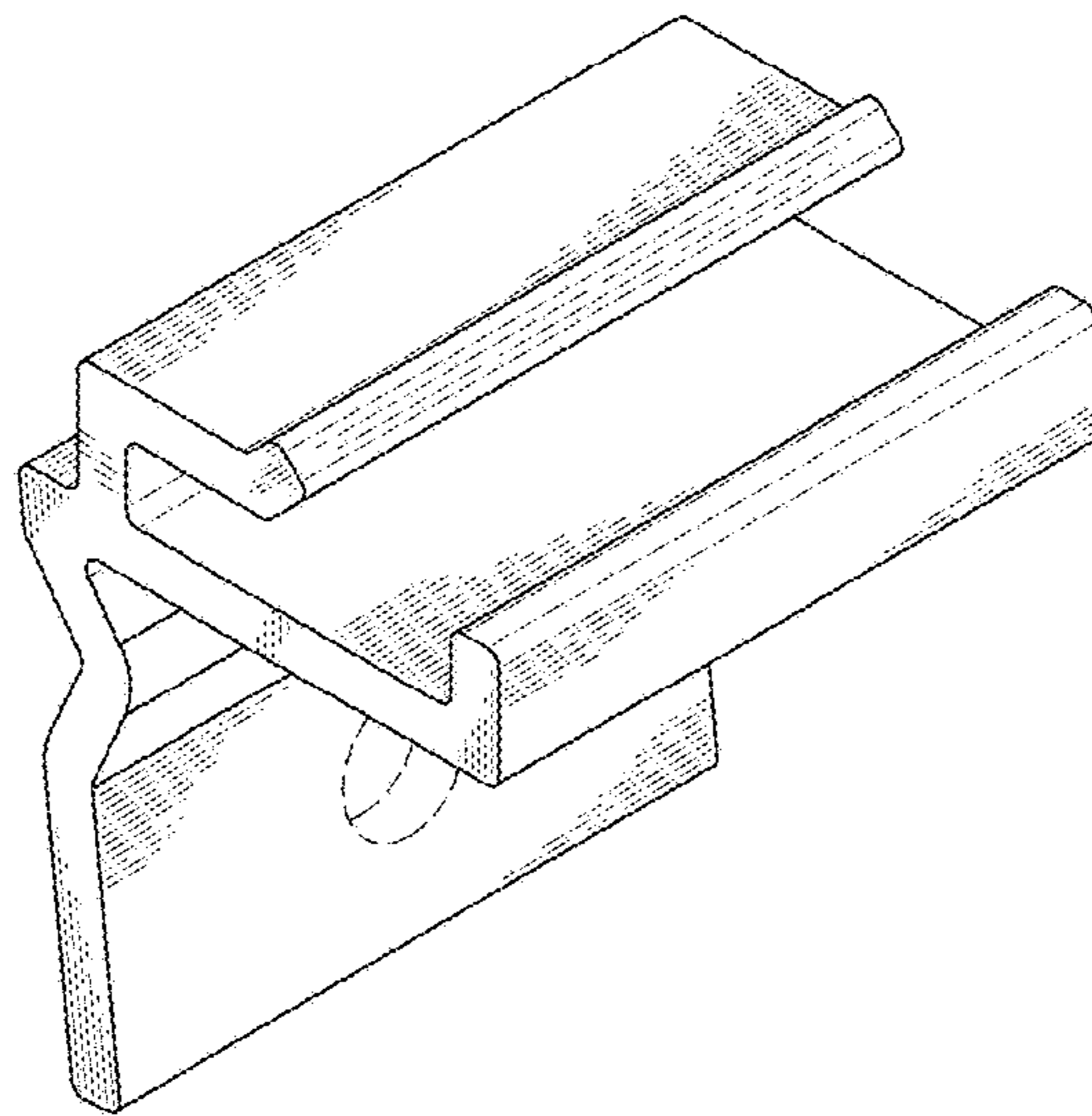


FIG. 1

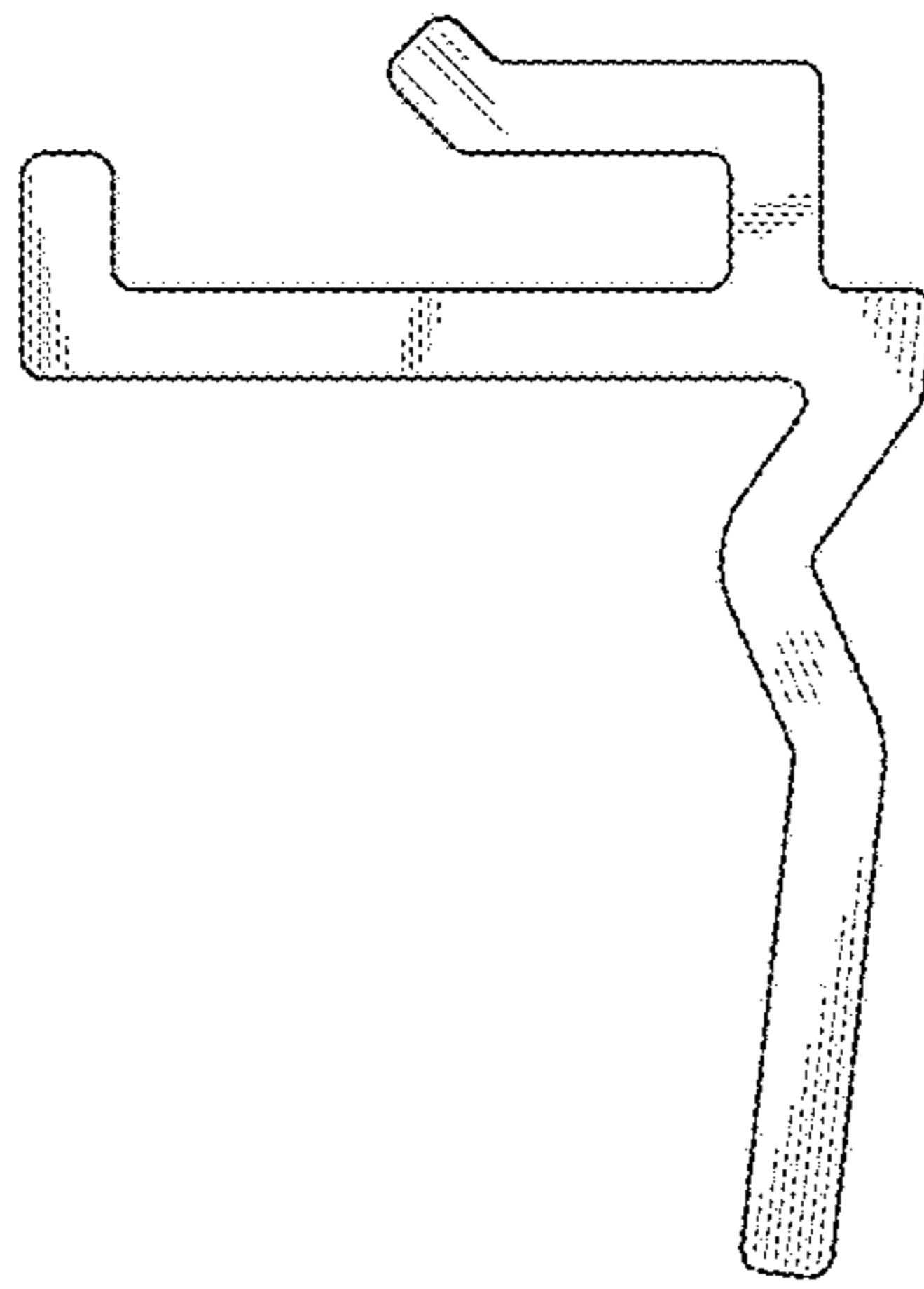


FIG. 2

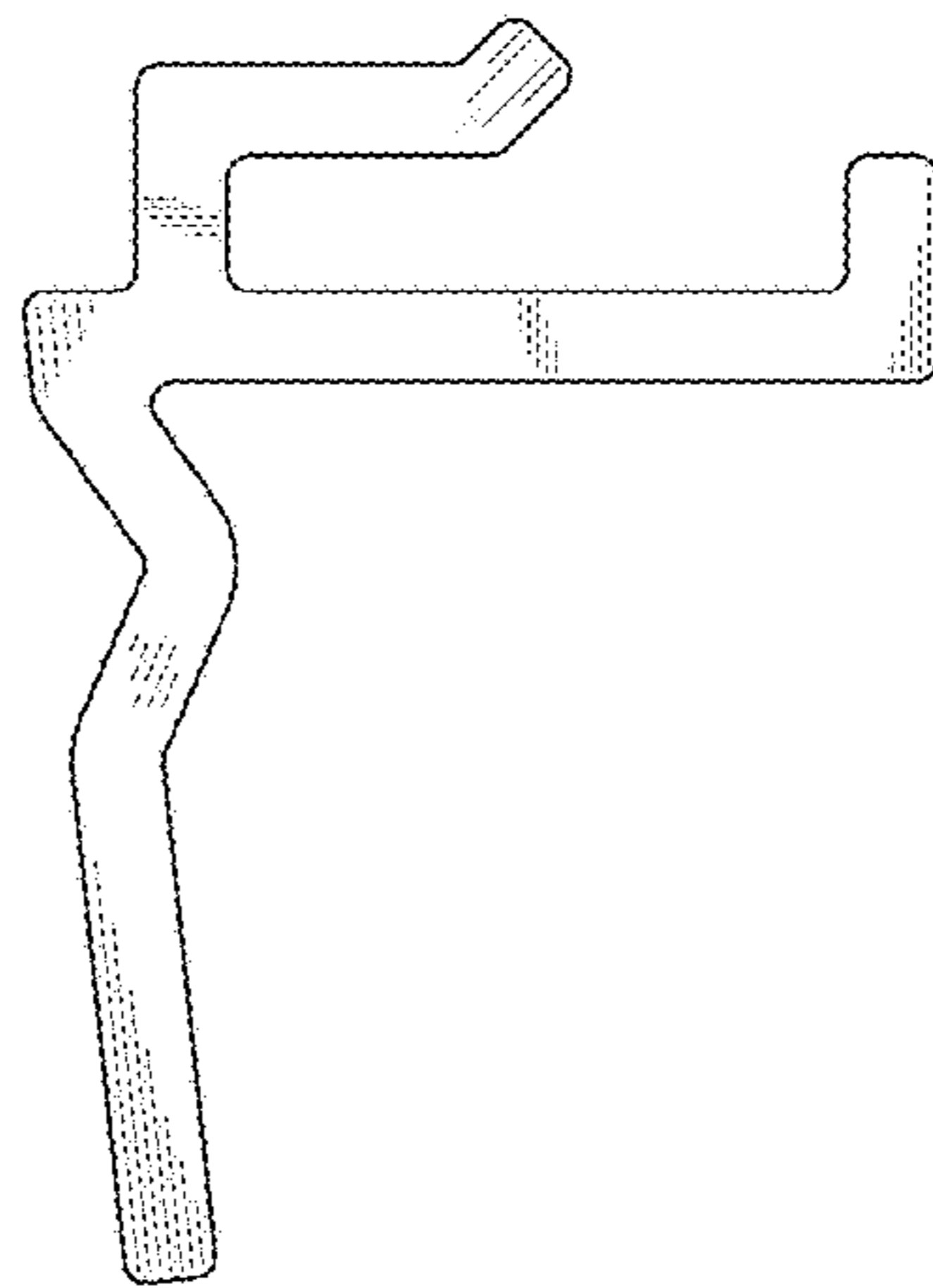


FIG. 3

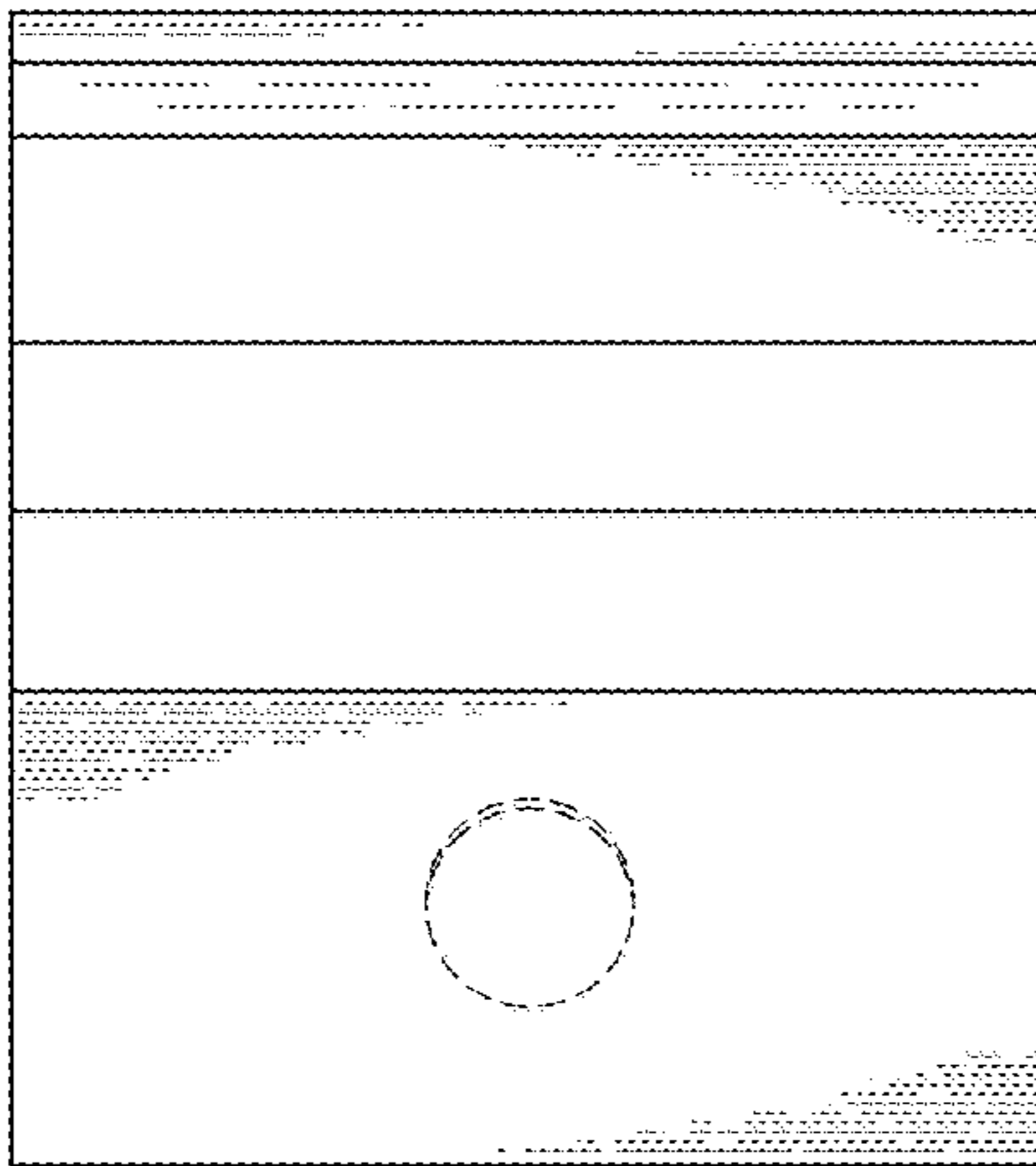


FIG. 4

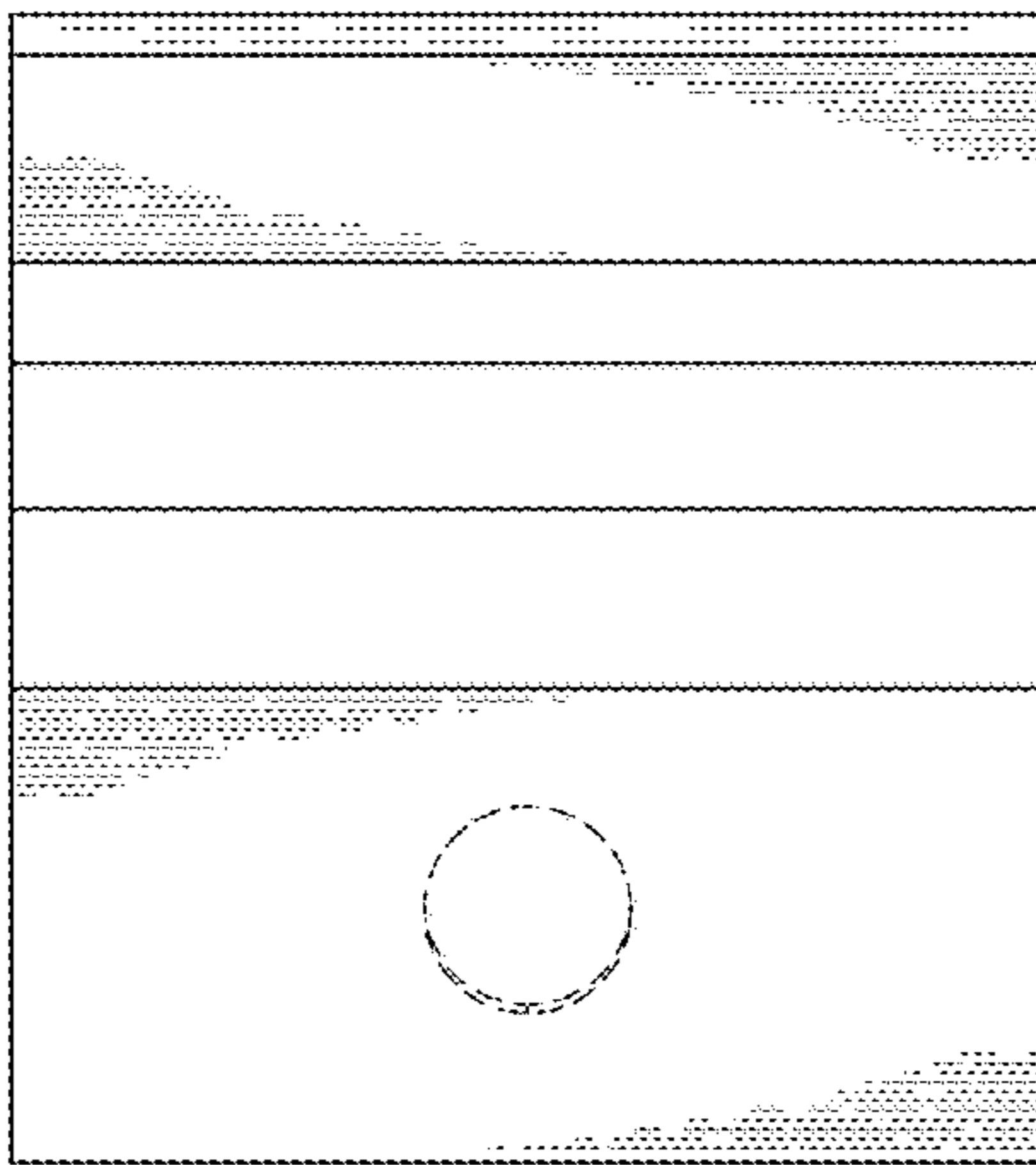


FIG. 5

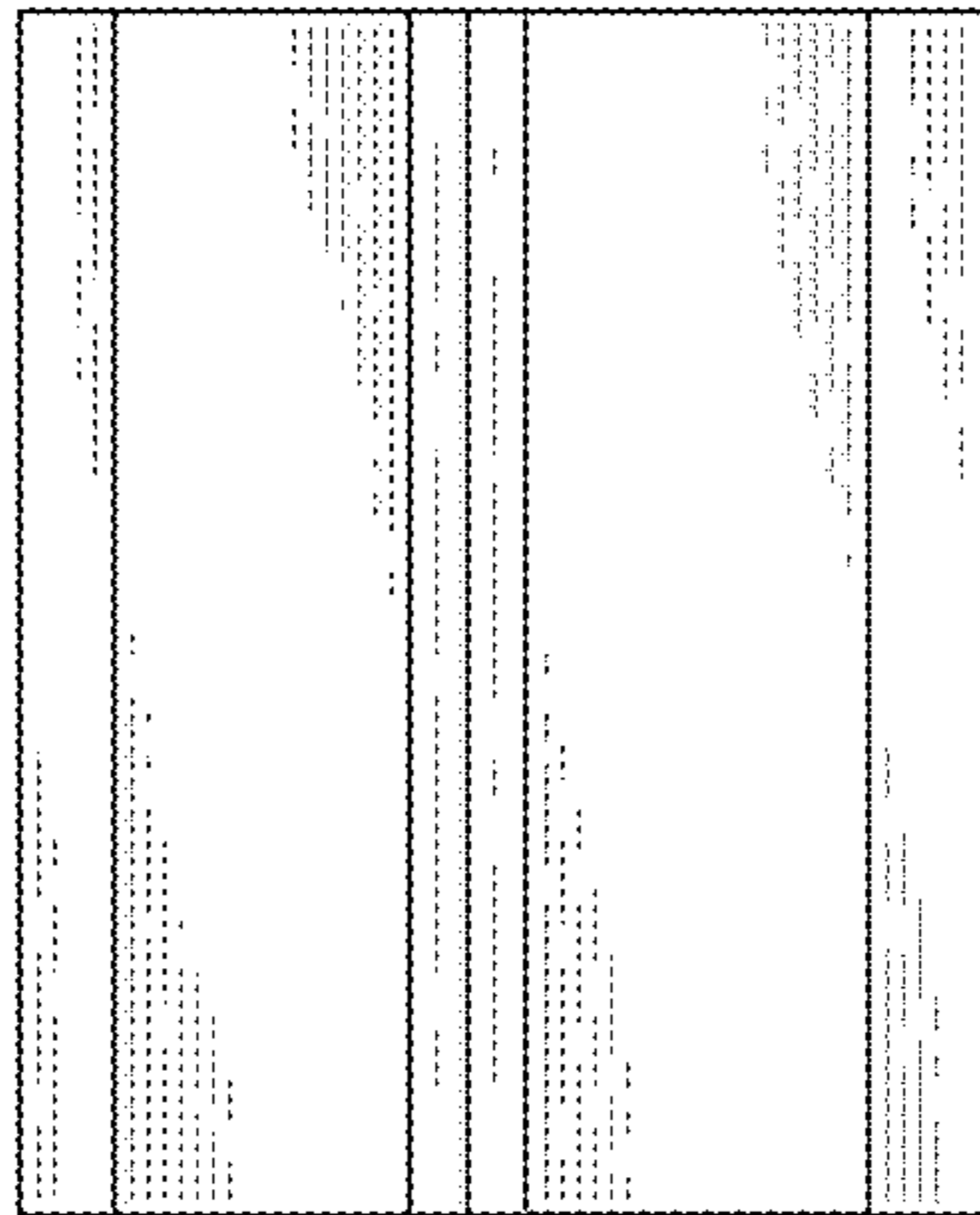


FIG. 6

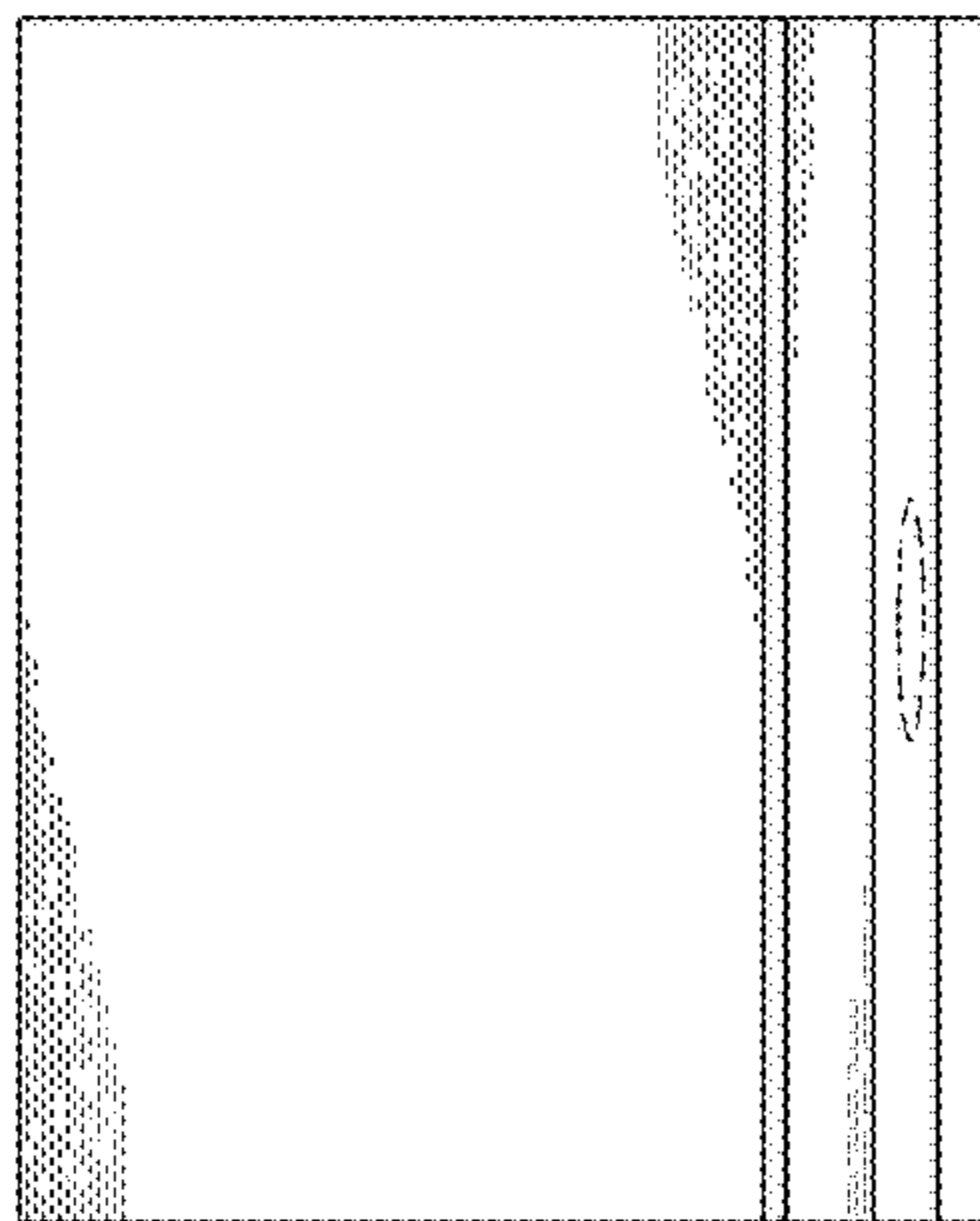


FIG. 7

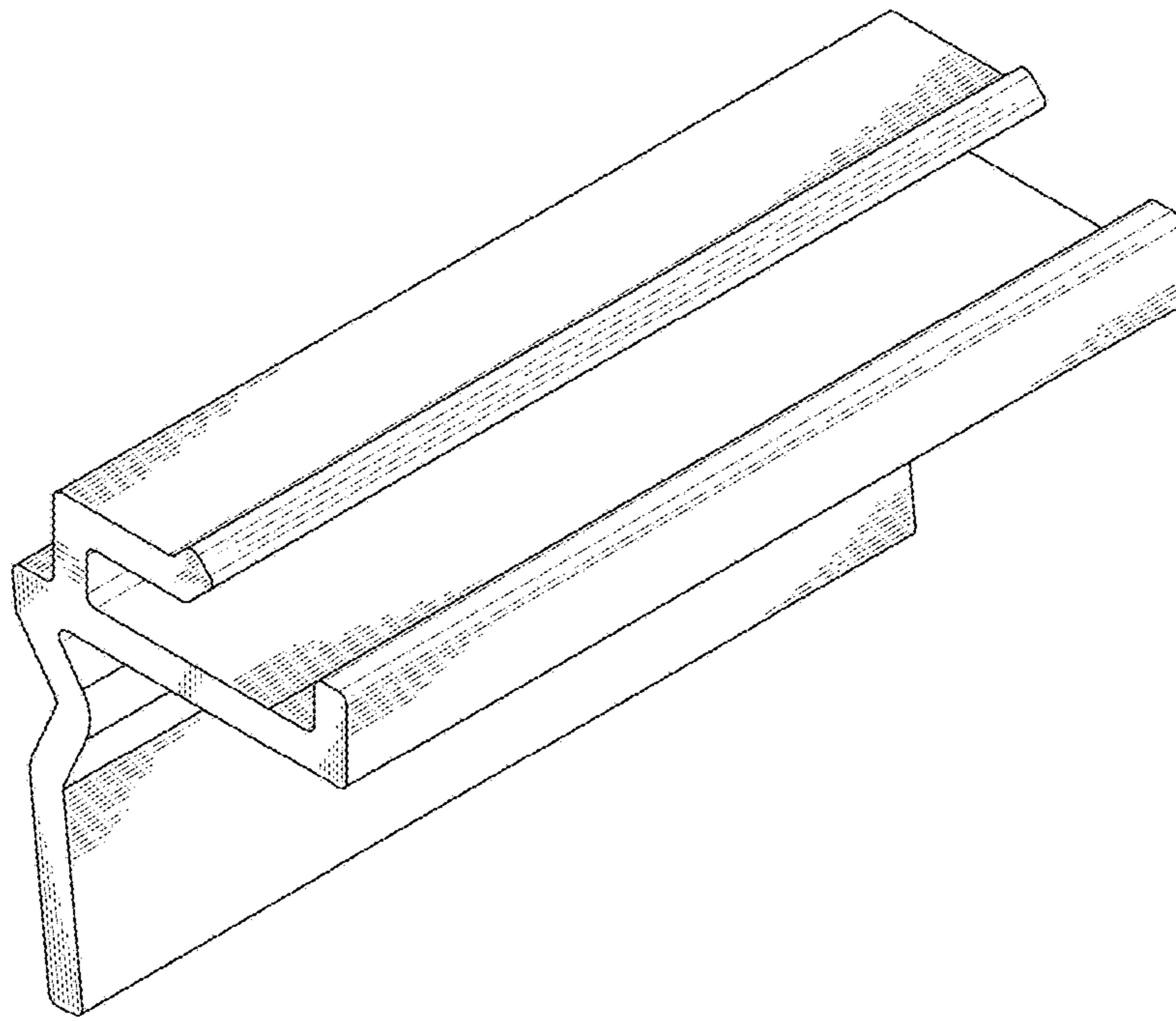


FIG. 8

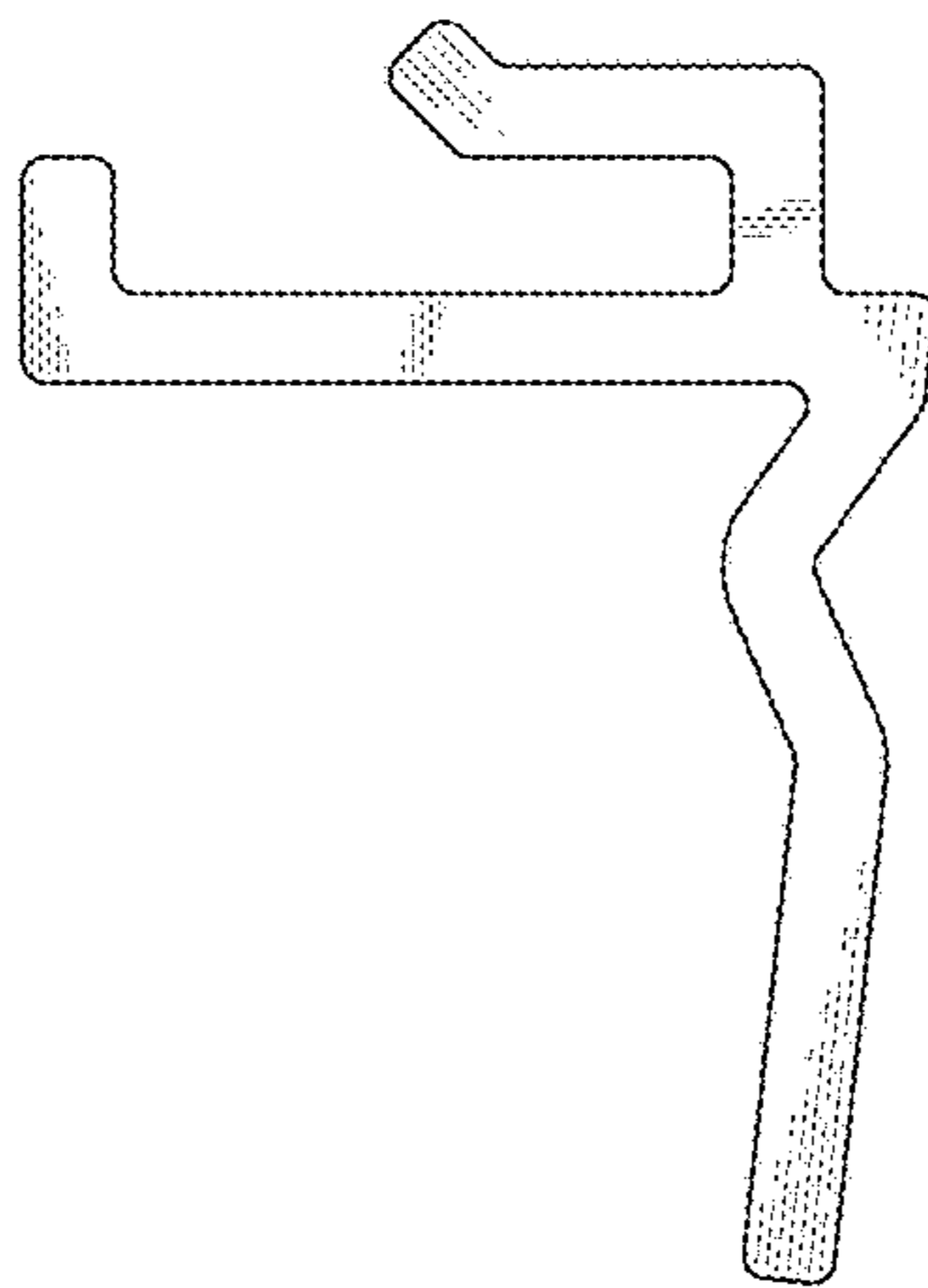


FIG. 9

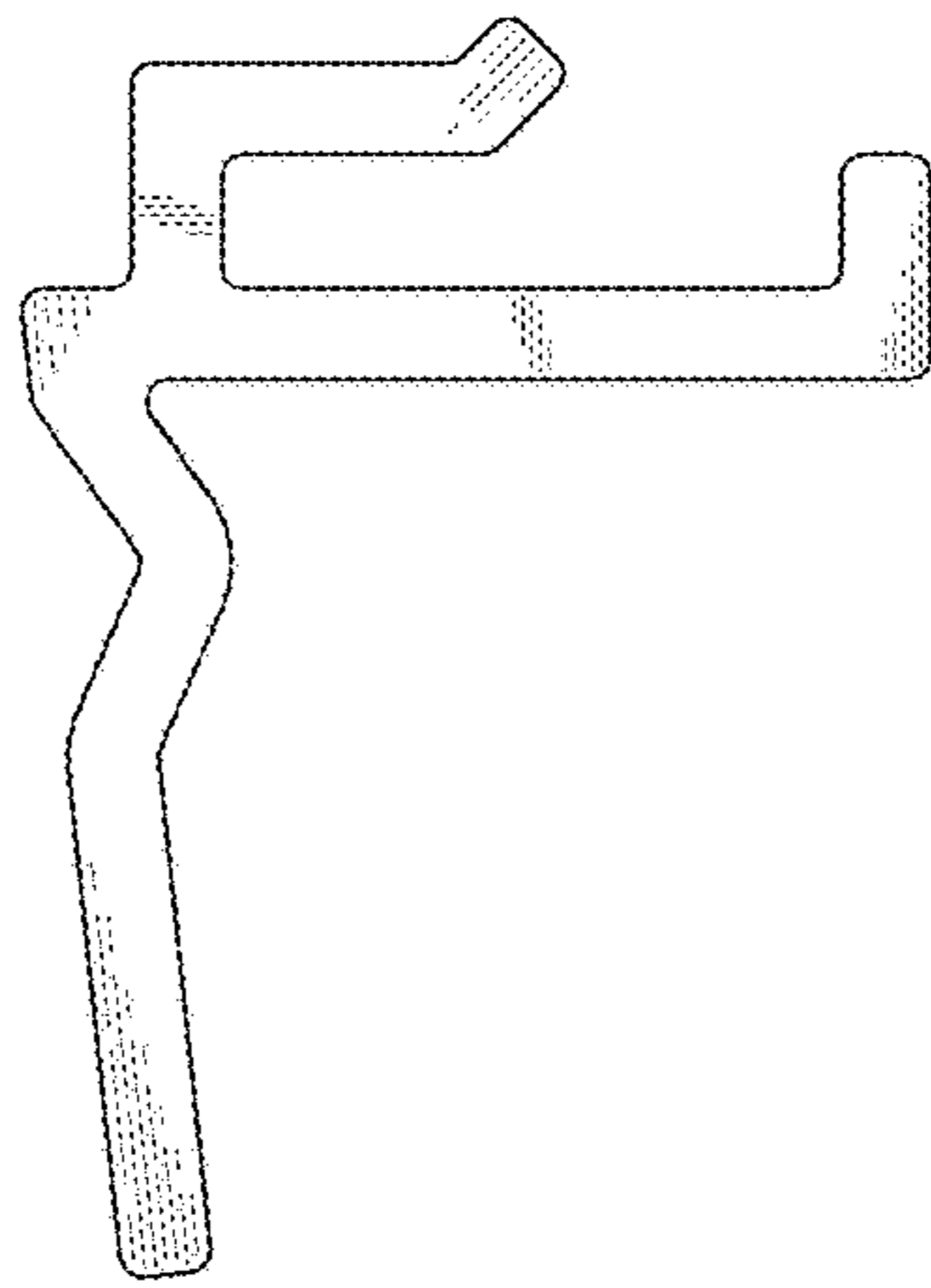


FIG. 10

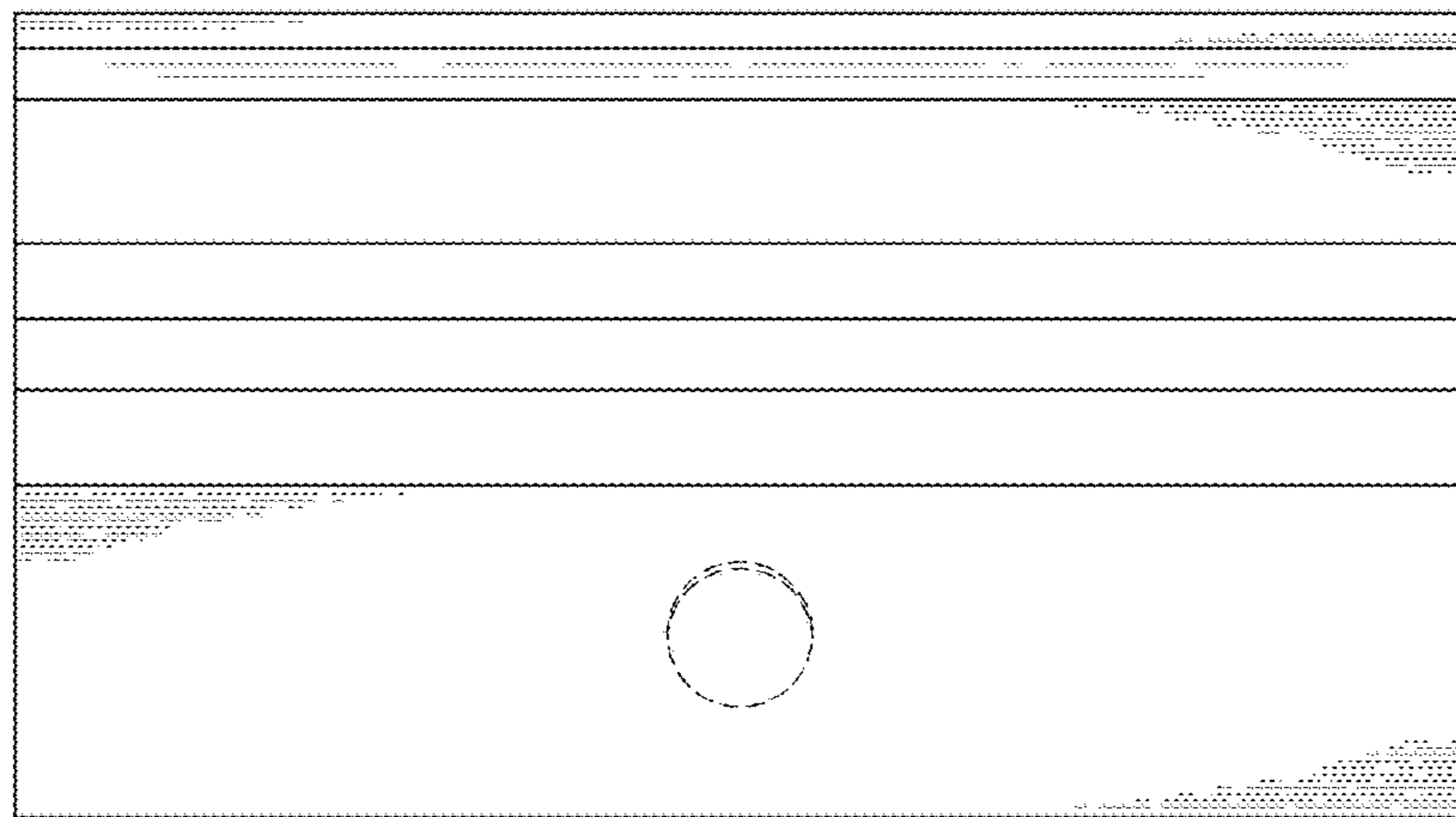


FIG. 11

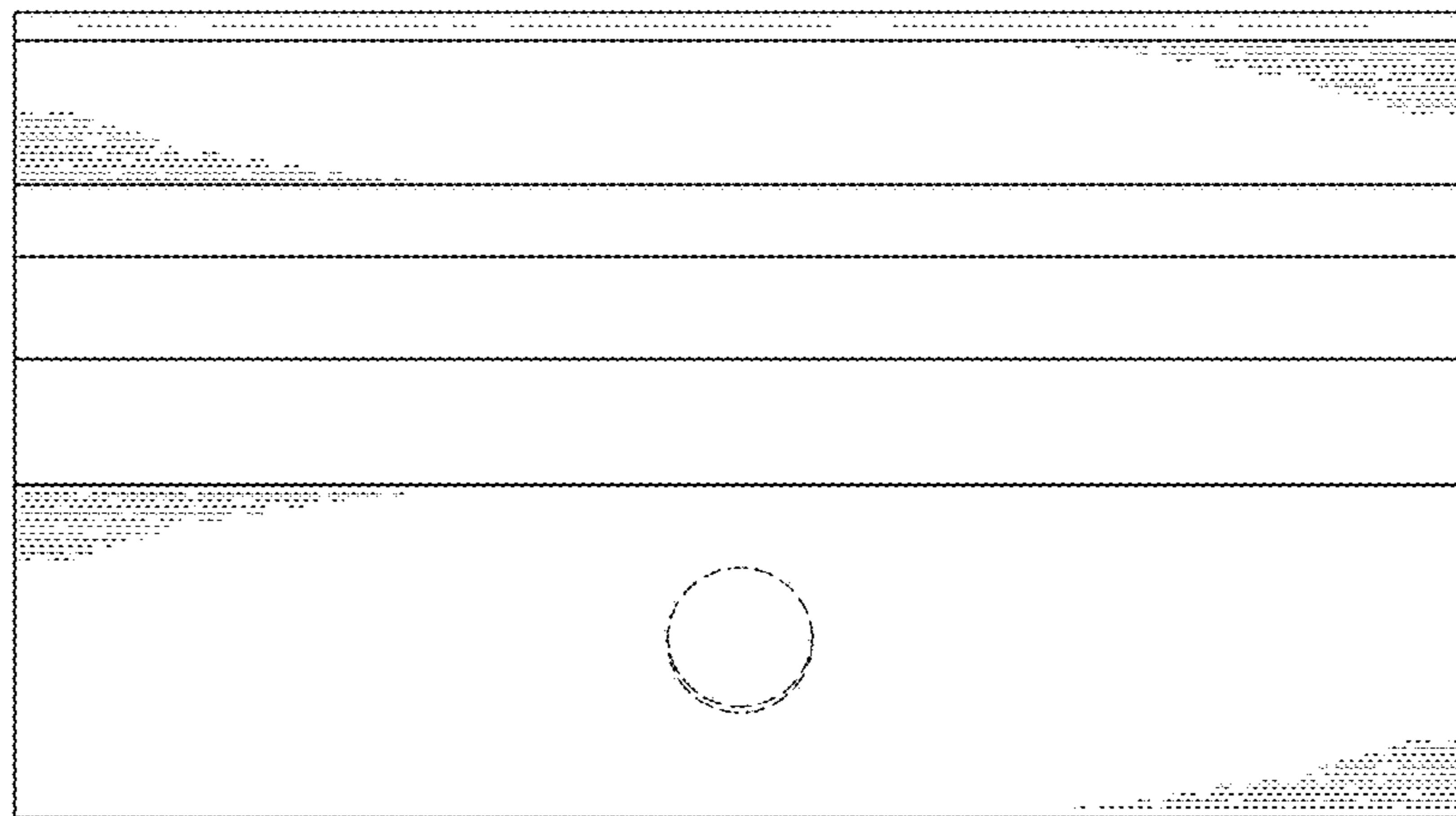


FIG. 12

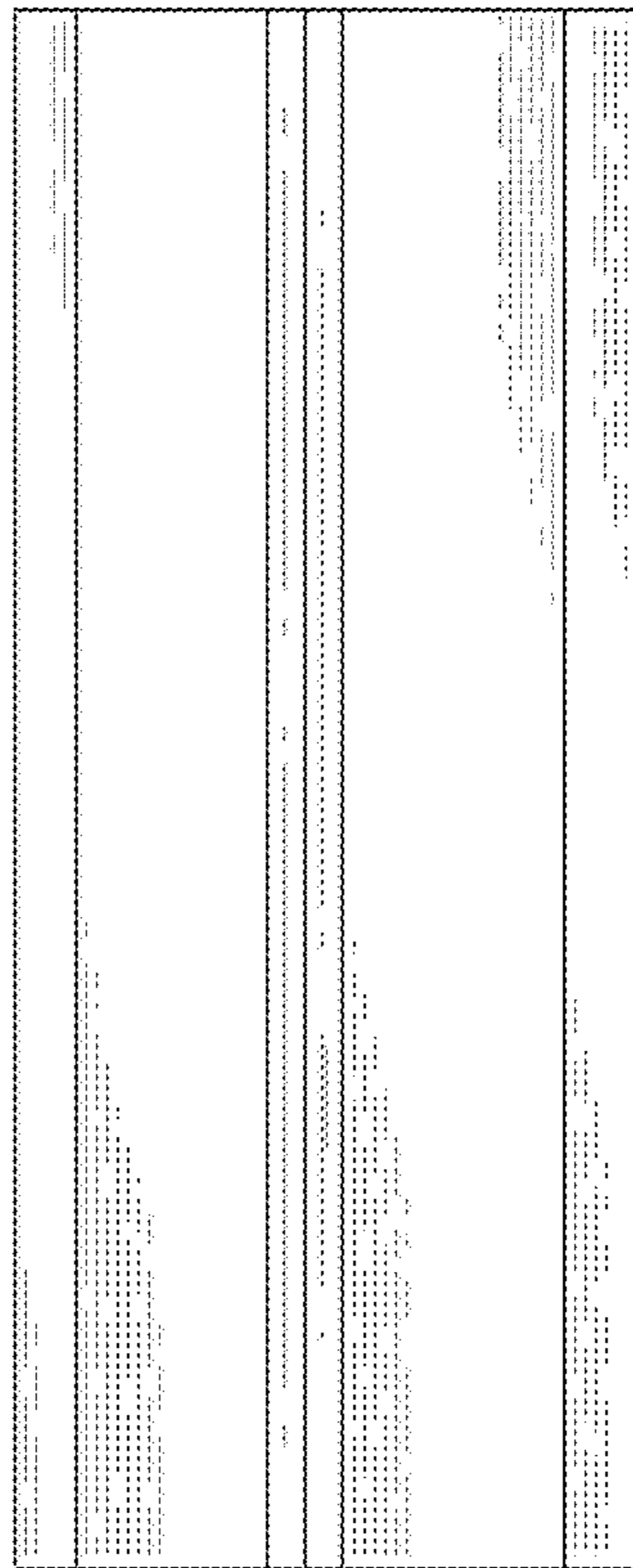


FIG. 13

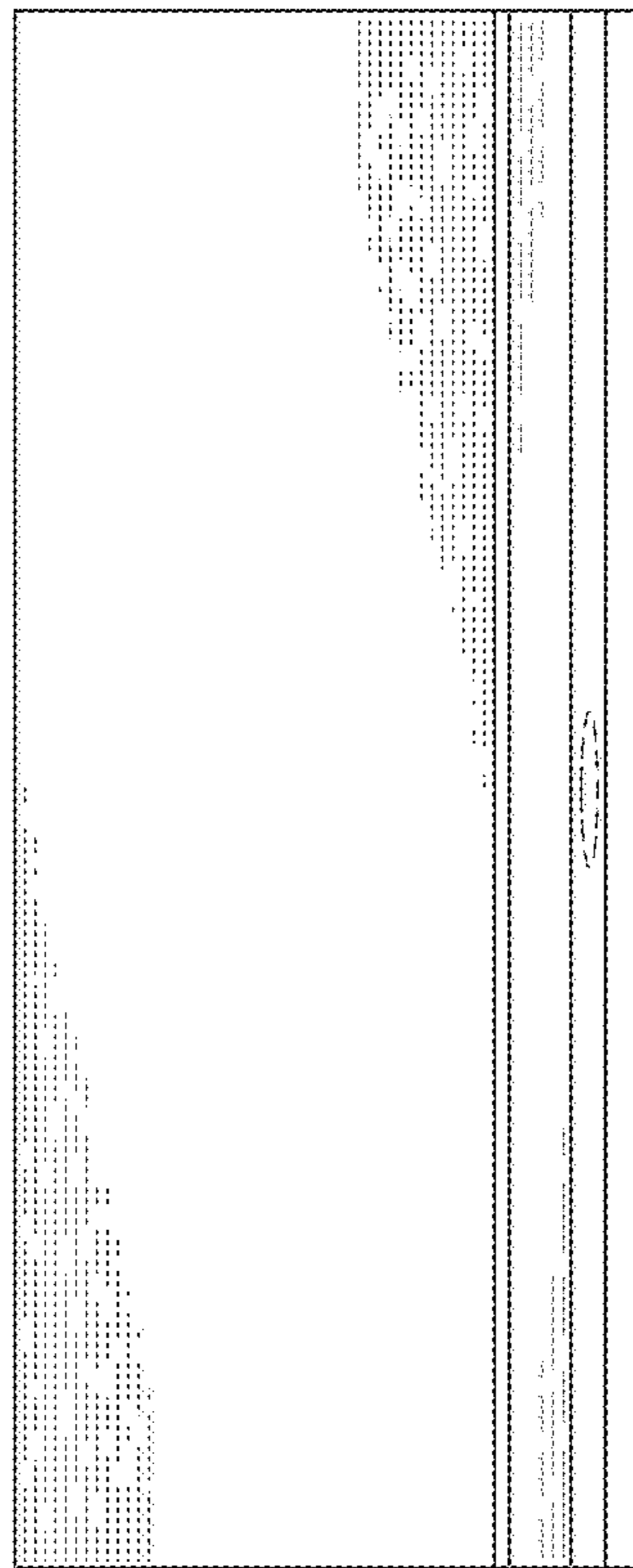


FIG. 14