



US00D890601S

(12) **United States Design Patent** (10) **Patent No.:** **US D890,601 S**  
**Gori et al.** (45) **Date of Patent:** **\*\* \*Jul. 21, 2020**

(54) **GUTTER GUARD CLIP**

(71) Applicant: **LEAFFILTER NORTH, LLC**,  
Hudson, OH (US)

(72) Inventors: **Michael Gori**, Norton, OH (US);  
**Michael J. Peck**, Fairlawn, OH (US);  
**Scott M. Garbe**, Massillon, OH (US)

(73) Assignee: **LEAFFILTER NORTH, LLC**,  
Hudson, OH (US)

(\*) Notice: This patent is subject to a terminal disclaimer.

(\*\*) Term: **15 Years**

(21) Appl. No.: **29/647,740**

(22) Filed: **May 15, 2018**

(51) **LOC (12) Cl.** ..... **08-08**

(52) **U.S. Cl.**  
USPC ..... **D8/394**

(58) **Field of Classification Search**  
USPC ..... D8/349, 354, 366, 380, 382, 394, 395,  
D8/499; D23/259, 262, 267  
CPC . E04D 1/34; E04D 2001/3452; E04D 13/064;  
E04D 13/068; E04D 5/145  
See application file for complete search history.

(56) **References Cited**

U.S. PATENT DOCUMENTS

2,997,763	A *	8/1961	Serfass	.....	E04D 13/076
					24/531
3,420,378	A *	1/1969	Turner	.....	E04D 13/076
					210/474
3,599,916	A *	8/1971	Szabo	.....	F16L 3/24
					24/339
D265,625	S *	8/1982	Buck	.....	D8/354
4,395,852	A *	8/1983	Tang	.....	E04D 13/076
					52/12

(Continued)

*Primary Examiner* — John Windmuller

*Assistant Examiner* — Steven J Czyz

(74) *Attorney, Agent, or Firm* — Benesch, Friedlander,  
Coplan & Aronoff LLP

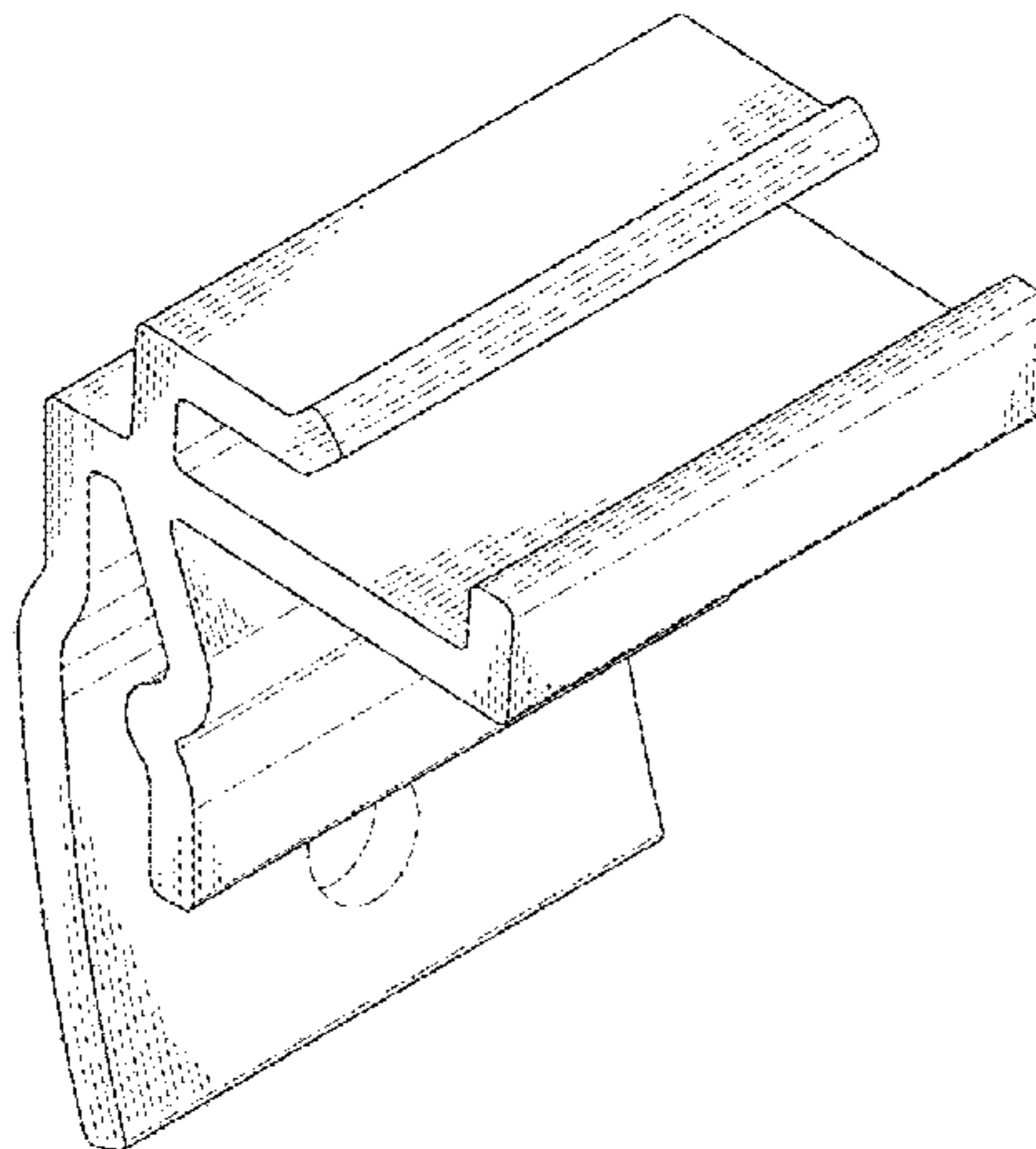
(57) **CLAIM**

The ornamental design for a gutter guard clip, as shown and described.

**DESCRIPTION**

FIG. 1 is a perspective view of a gutter guard clip;  
 FIG. 2 is a right-side elevation view of the gutter guard clip of FIG. 1;  
 FIG. 3 is a left-side elevation view of the gutter guard clip of FIG. 1;  
 FIG. 4 is a front elevation view of the gutter guard clip of FIG. 1;  
 FIG. 5 is a rear elevation view of the gutter guard clip of FIG. 1;  
 FIG. 6 is a top plan view of the gutter guard clip of FIG. 1;  
 FIG. 7 is a bottom plan view of the gutter guard clip of FIG. 1;  
 FIG. 8 is a perspective view of a gutter guard clip showing a second embodiment of our new design;  
 FIG. 9 is a right-side elevation view of the gutter guard clip of FIG. 8;  
 FIG. 10 is a left-side elevation view of the gutter guard clip of FIG. 8;  
 FIG. 11 is a front elevation view of the gutter guard clip of FIG. 8;  
 FIG. 12 is a rear elevation view of the gutter guard clip of FIG. 8;  
 FIG. 13 is a top plan view of the gutter guard clip of FIG. 8; and,  
 FIG. 14 is a bottom plan view of the gutter guard clip of FIG. 8.  
 The broken lines depict portions of the article that form no part of the claimed design.

**1 Claim, 14 Drawing Sheets**



(56)

References Cited

U.S. PATENT DOCUMENTS

4,467,570 A \* 8/1984 Kriegel ..... E04D 13/076  
210/162  
4,506,479 A \* 3/1985 Matthison-Hansen .....  
E04D 13/0722  
52/15  
D298,738 S \* 11/1988 Rumpel ..... D8/371  
4,965,969 A \* 10/1990 Antenen ..... E04D 13/076  
248/48.1  
D317,558 S \* 6/1991 Daigle ..... D8/354  
D341,078 S \* 11/1993 Saavedra ..... D8/395  
5,570,860 A \* 11/1996 Schoenherr ..... E04D 13/0725  
248/48.2  
D410,192 S \* 5/1999 Giese ..... D8/354  
6,047,502 A \* 4/2000 Kimmitt ..... E04D 13/076  
52/11  
D437,546 S \* 2/2001 McElroy, Jr. .... D8/380  
D438,778 S \* 3/2001 Ribe ..... D8/354  
D468,812 S \* 1/2003 Doyle ..... D23/267  
D471,788 S \* 3/2003 Gebara ..... D8/354  
D472,456 S \* 4/2003 Snyder ..... D8/353

D481,932 S \* 11/2003 Bess ..... D25/141  
6,959,512 B2 \* 11/2005 Cobb ..... E04D 13/0481  
219/213  
D532,291 S \* 11/2006 Geers ..... D8/394  
D557,112 S \* 12/2007 Franssen ..... D8/349  
D559,053 S \* 1/2008 Tsuda ..... D8/14  
D612,919 S \* 3/2010 DeHart, Sr. .... D23/267  
8,225,556 B2 \* 7/2012 Brown ..... E04D 13/076  
248/48.1  
8,322,081 B2 \* 12/2012 Desotell ..... E04D 13/0765  
248/48.1  
D739,709 S \* 9/2015 Wright ..... D8/354  
D751,024 S \* 3/2016 Burhanidust ..... D12/223  
D767,382 S \* 9/2016 Libreiro ..... D25/119  
D781,681 S \* 3/2017 Nagaki ..... D8/354  
9,631,369 B2 \* 4/2017 Cullen ..... E04D 13/068  
D821,858 S \* 7/2018 Bergelin ..... D8/382  
D831,175 S \* 10/2018 Jackson ..... D23/267  
D834,397 S \* 11/2018 Macdonald ..... D8/349  
D834,398 S \* 11/2018 Macdonald ..... D8/349  
D834,399 S \* 11/2018 Macdonald ..... D8/349  
D834,400 S \* 11/2018 Macdonald ..... D8/349  
10,190,318 B2 \* 1/2019 Iannelli ..... E04D 13/0725

\* cited by examiner

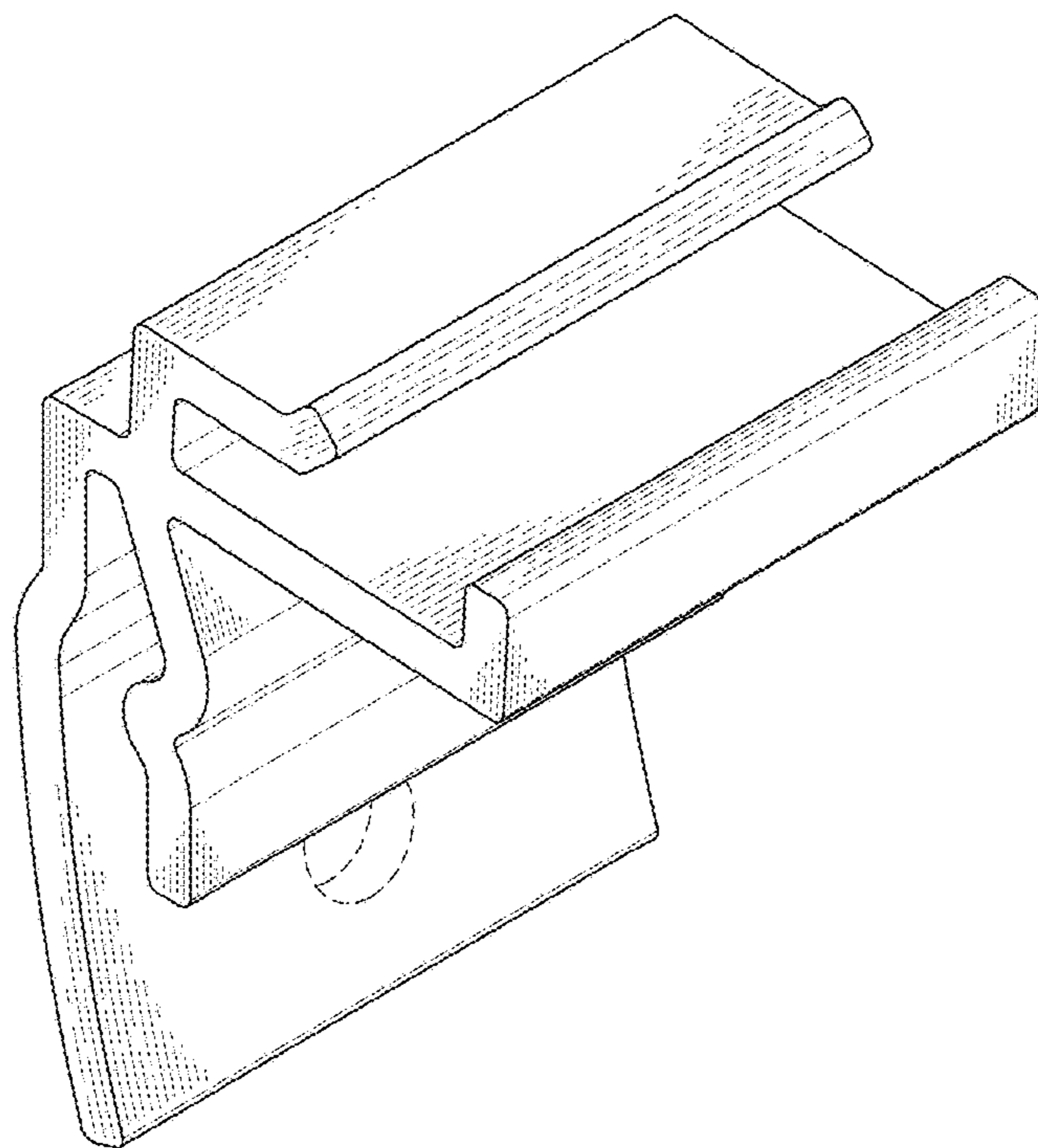


FIG. 1

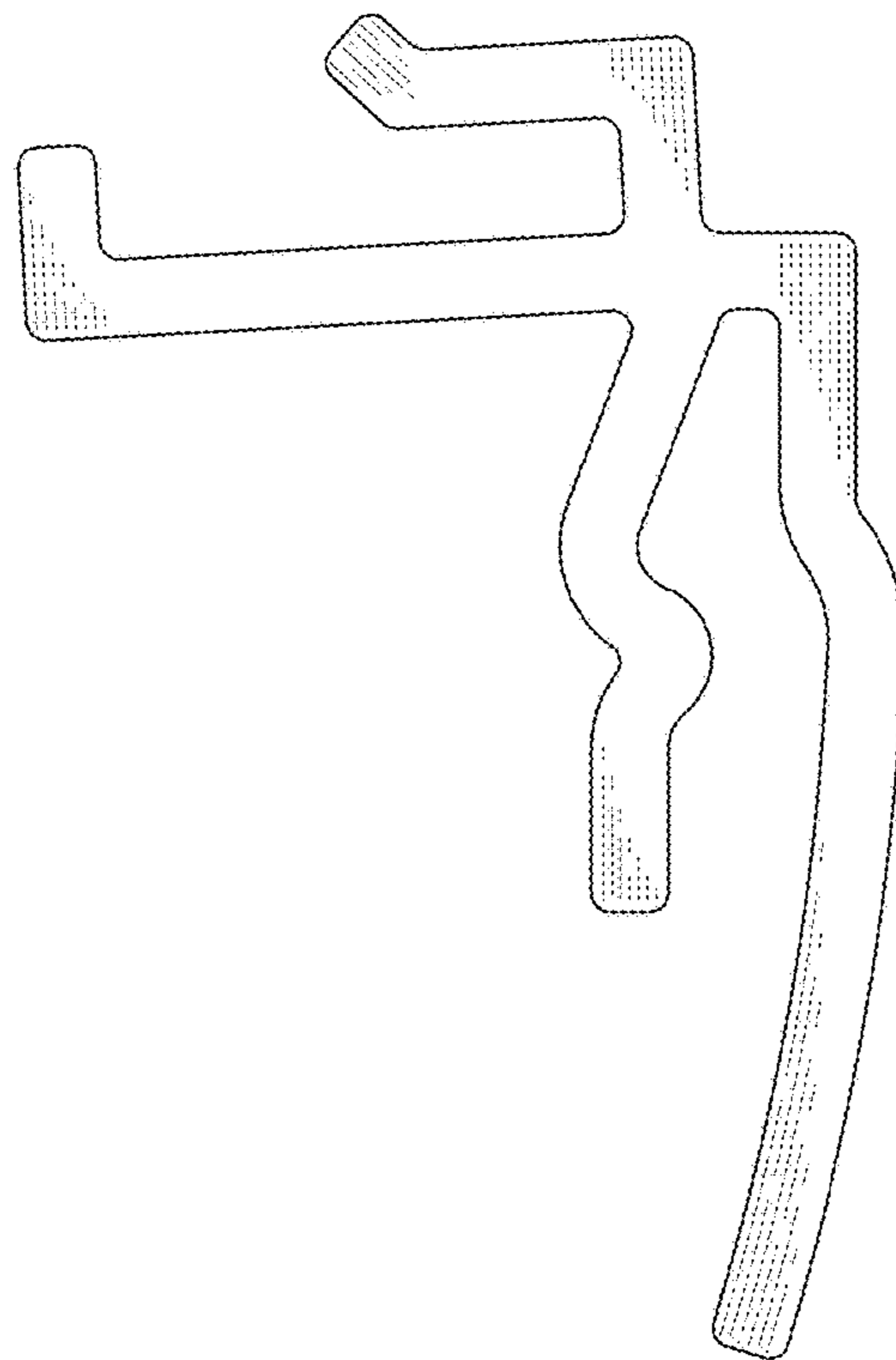


FIG. 2

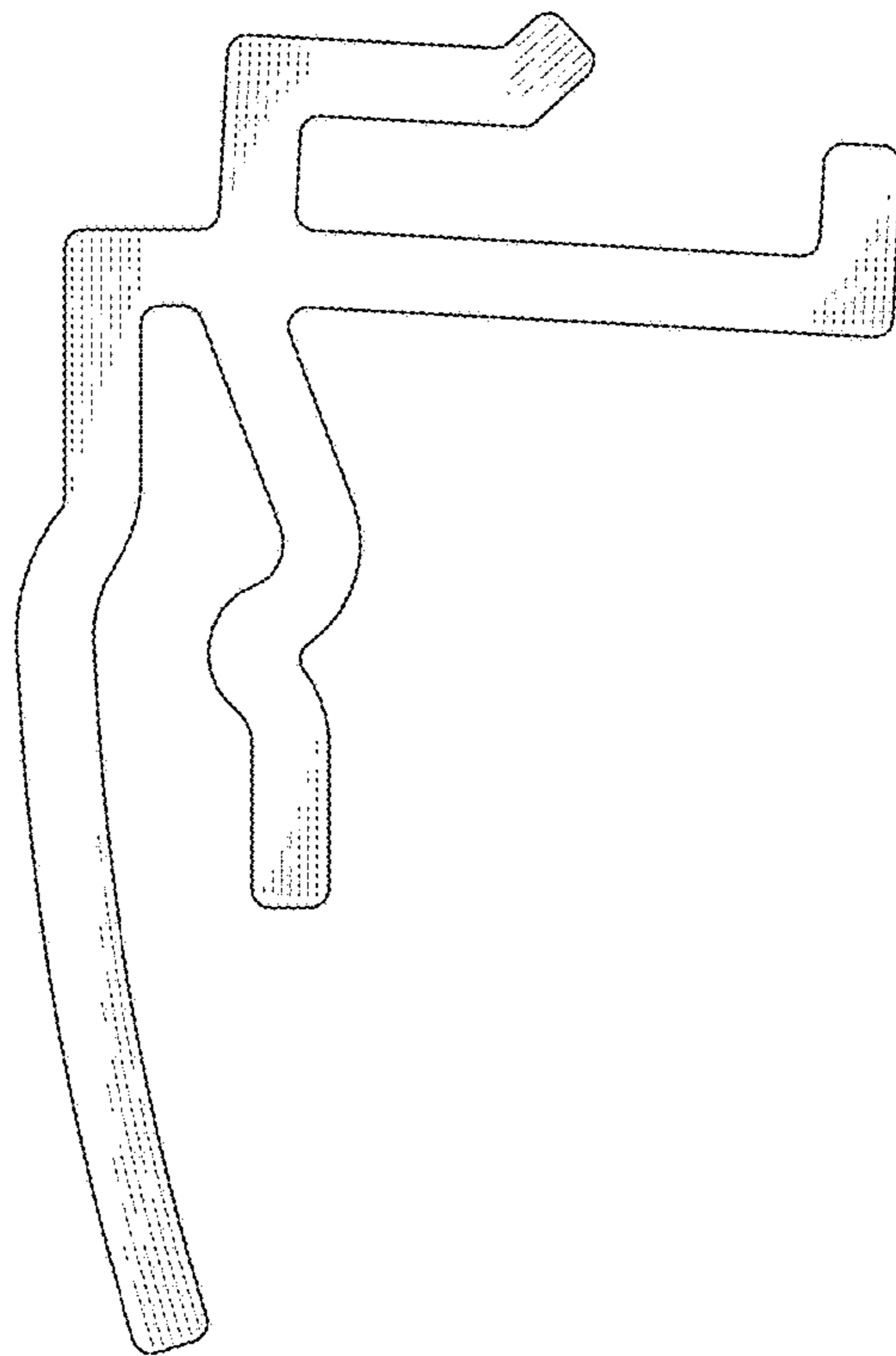


FIG. 3

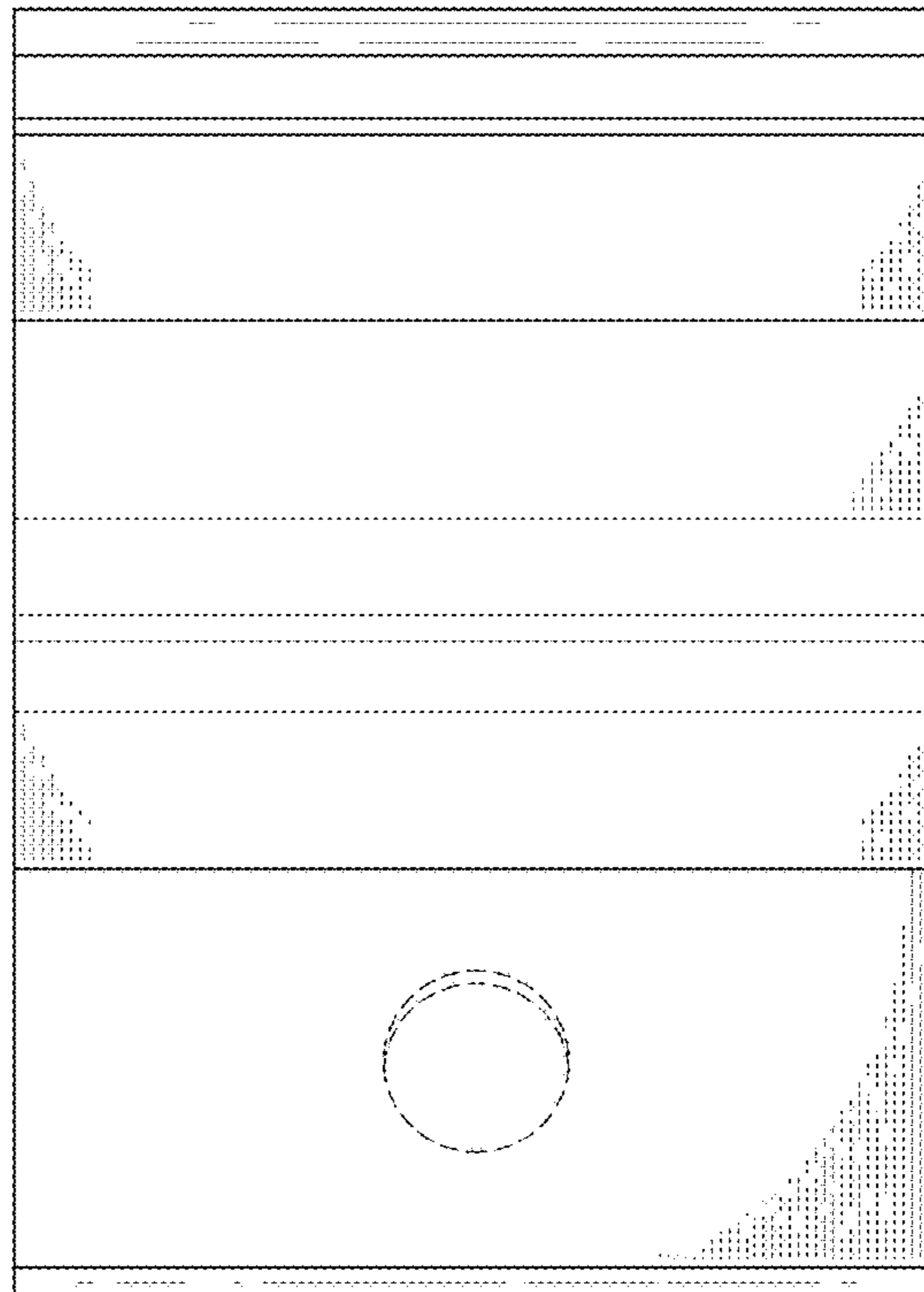


FIG. 4

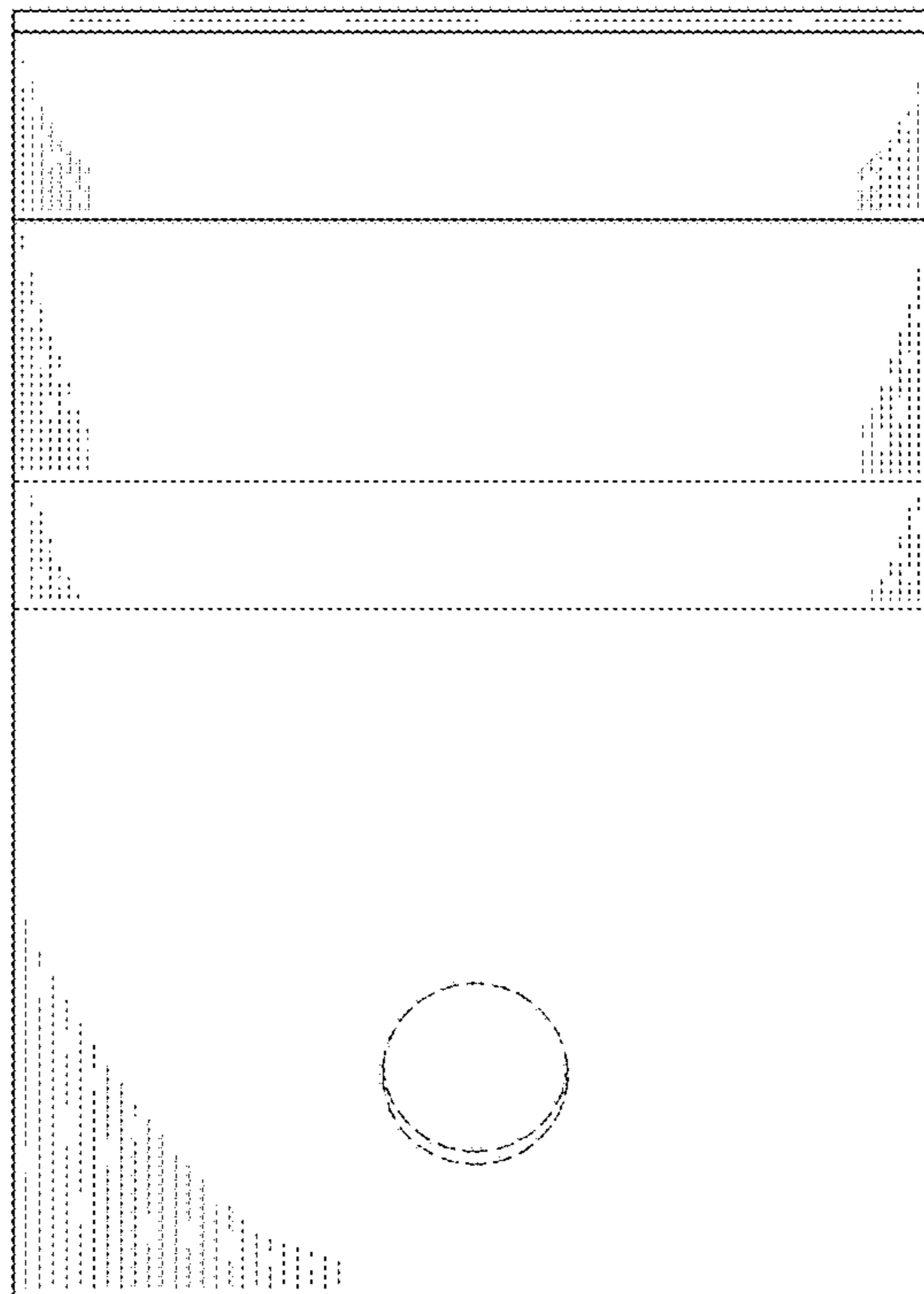


FIG. 5

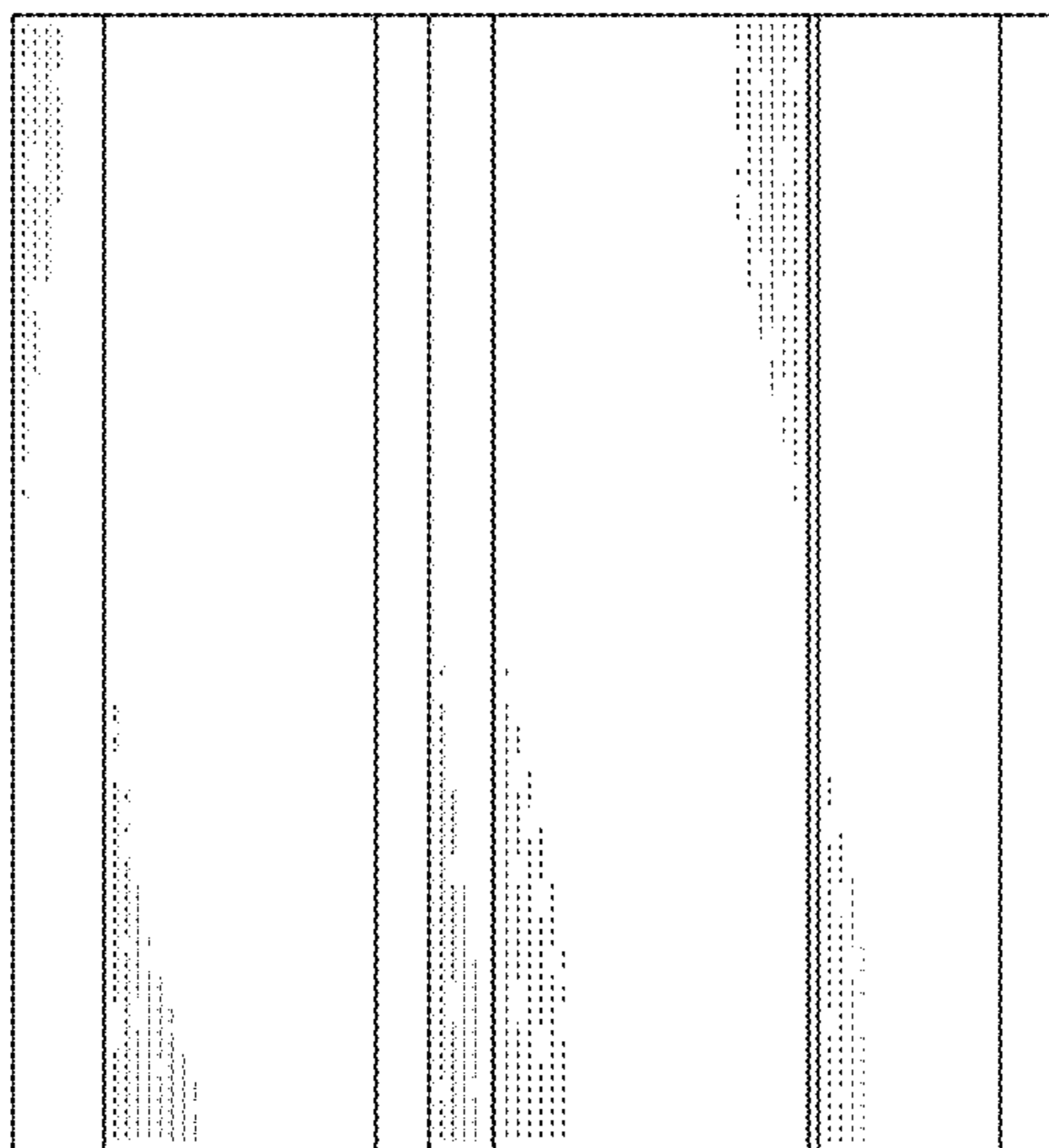


FIG. 6



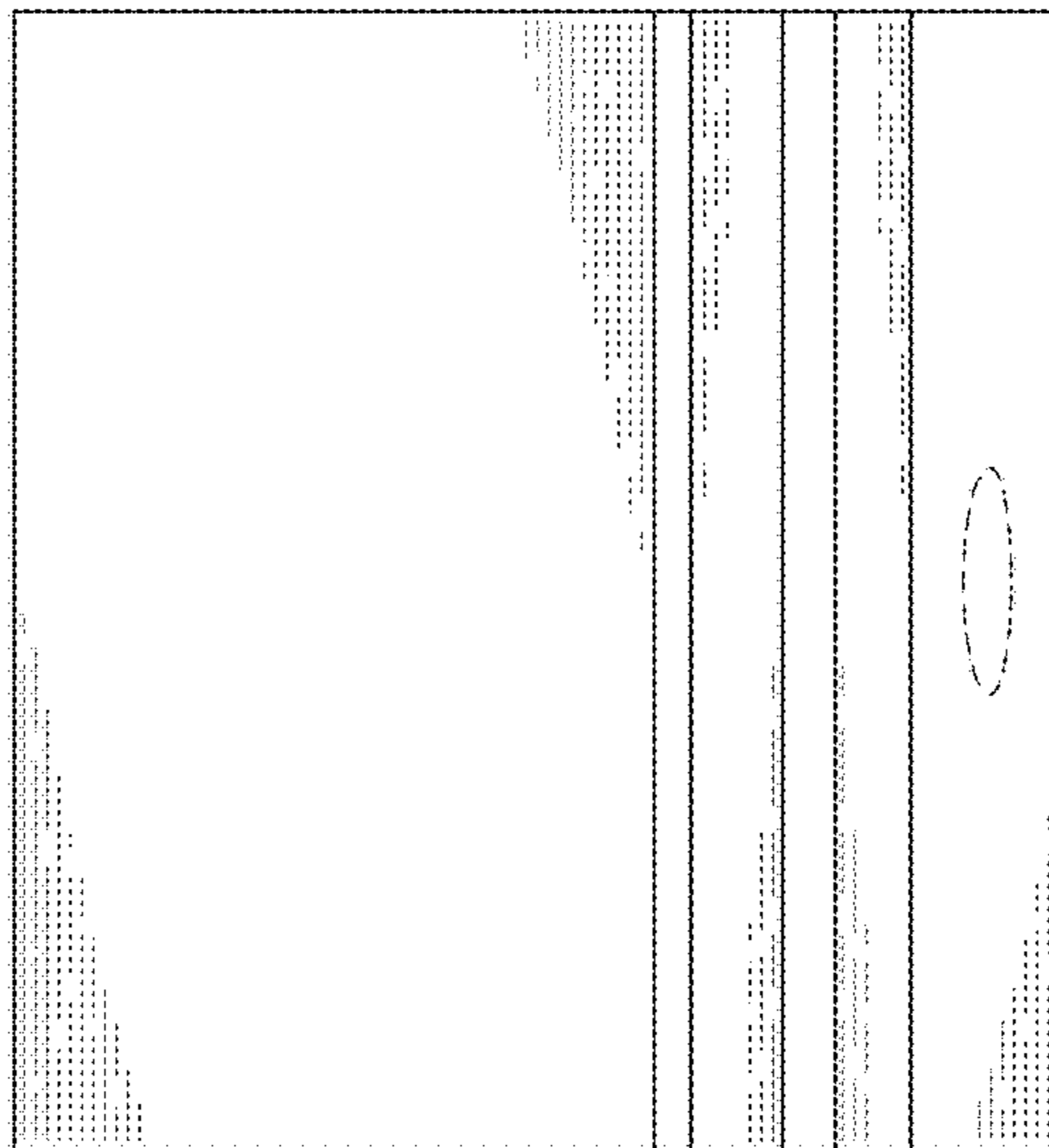


FIG. 7

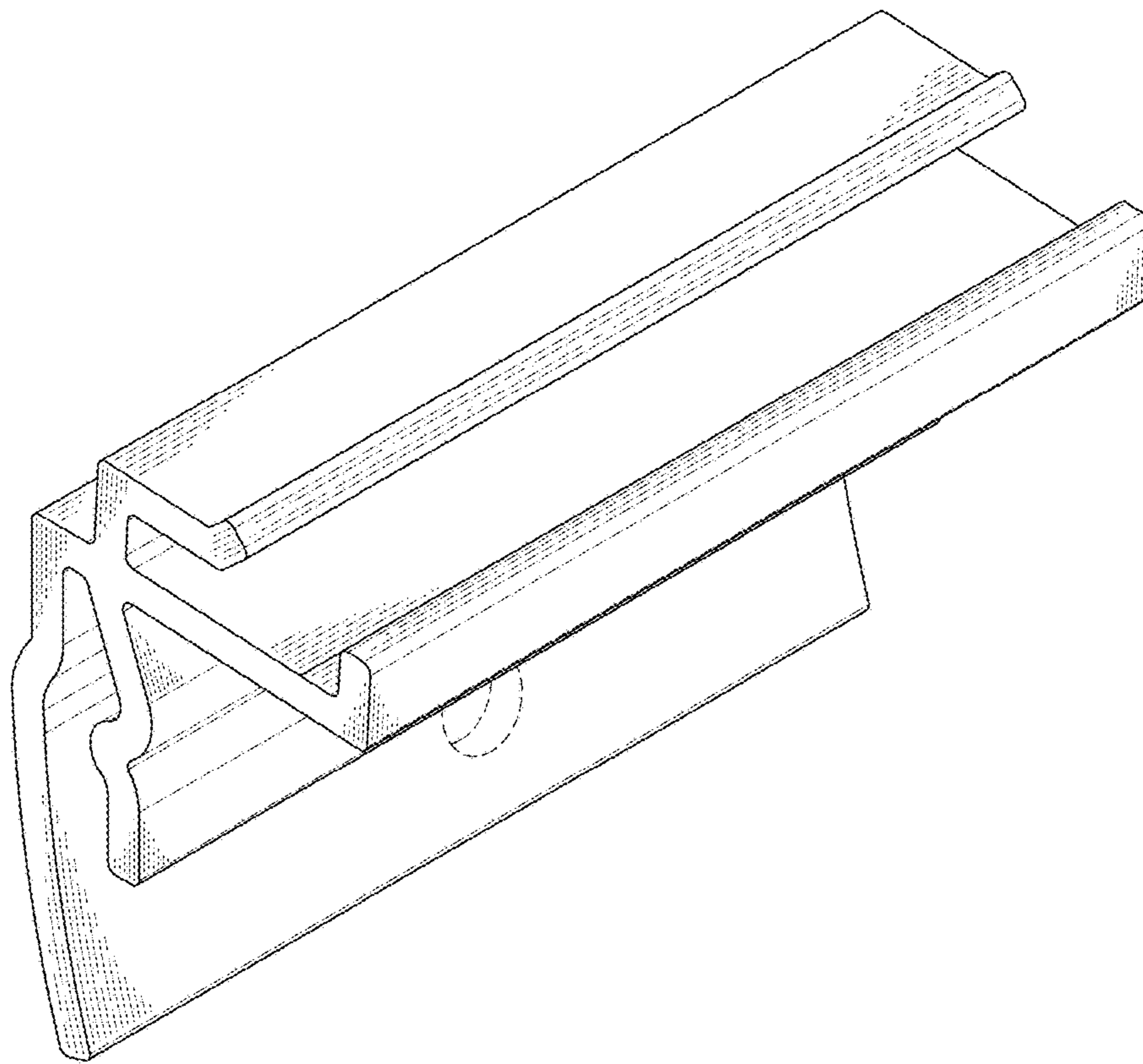


FIG. 8

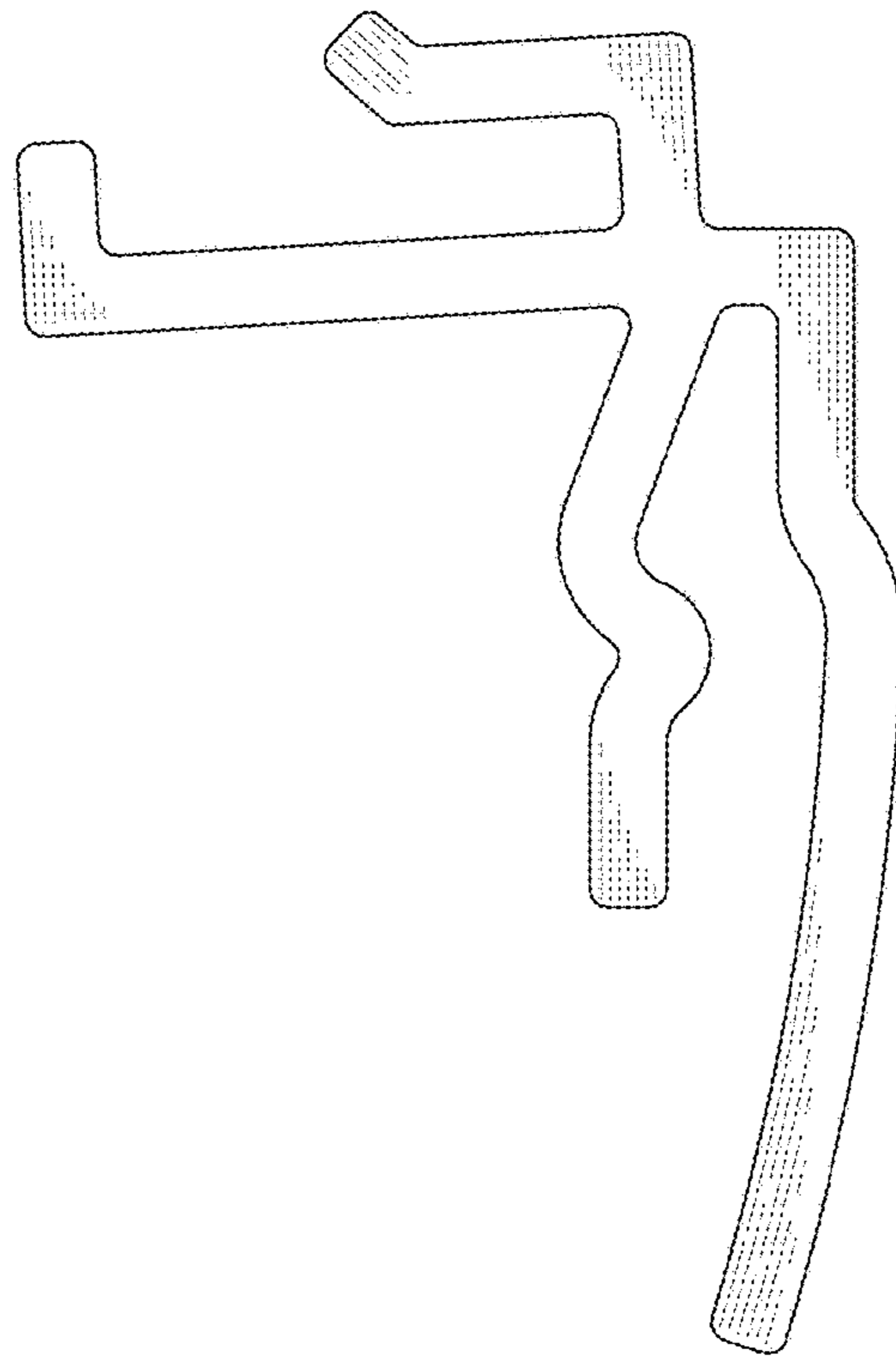


FIG. 9

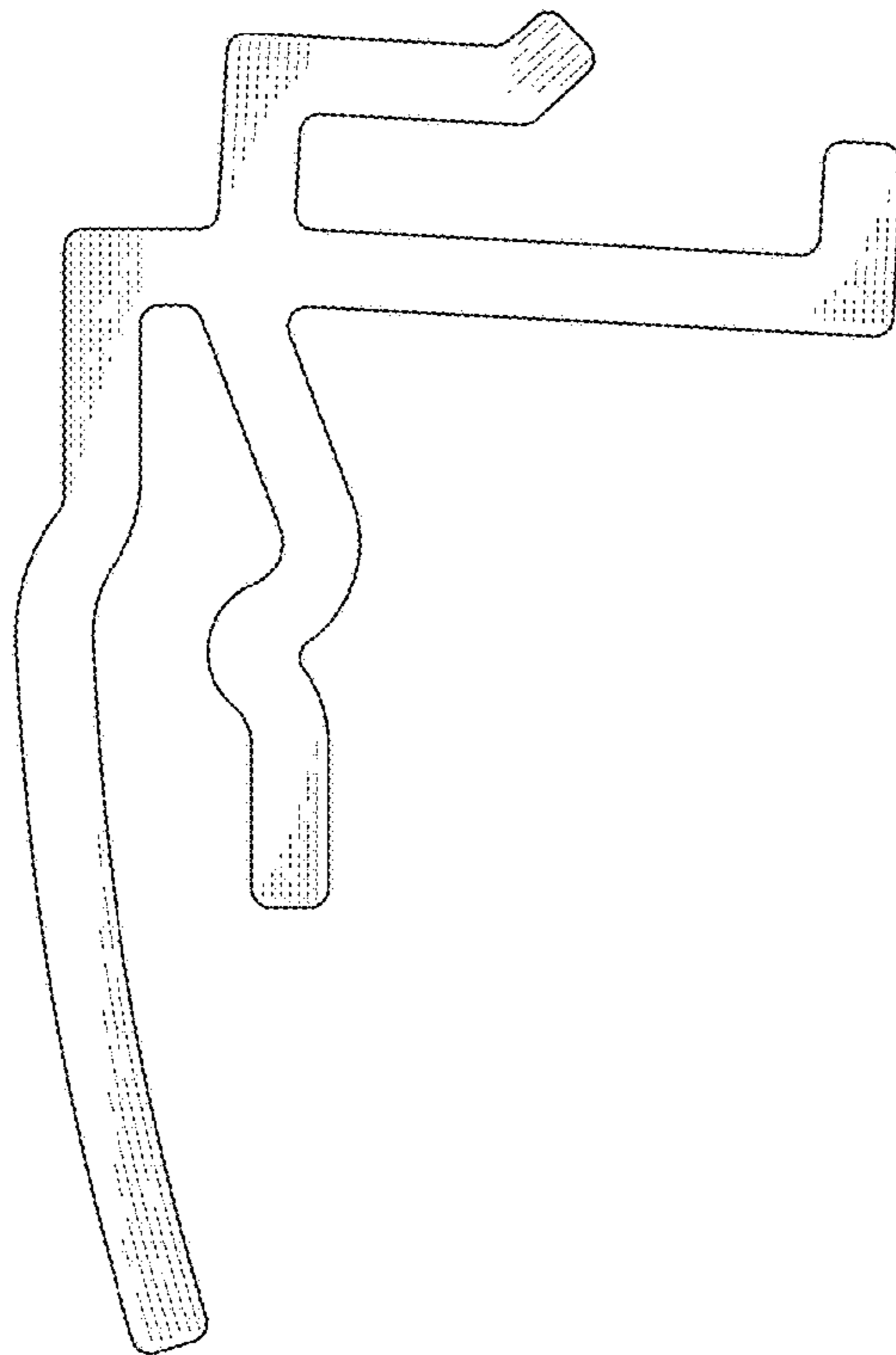


FIG. 10

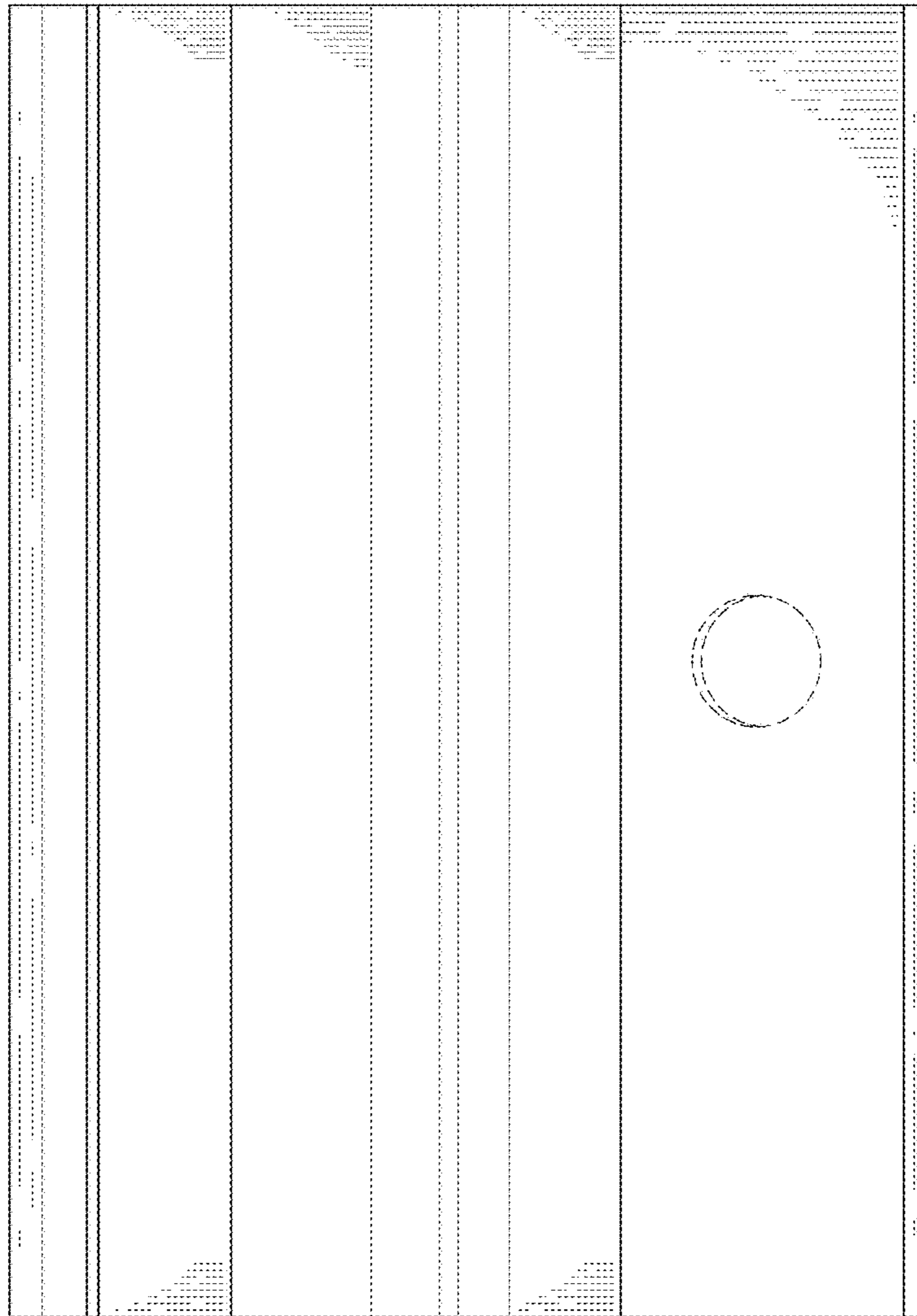


FIG. 11

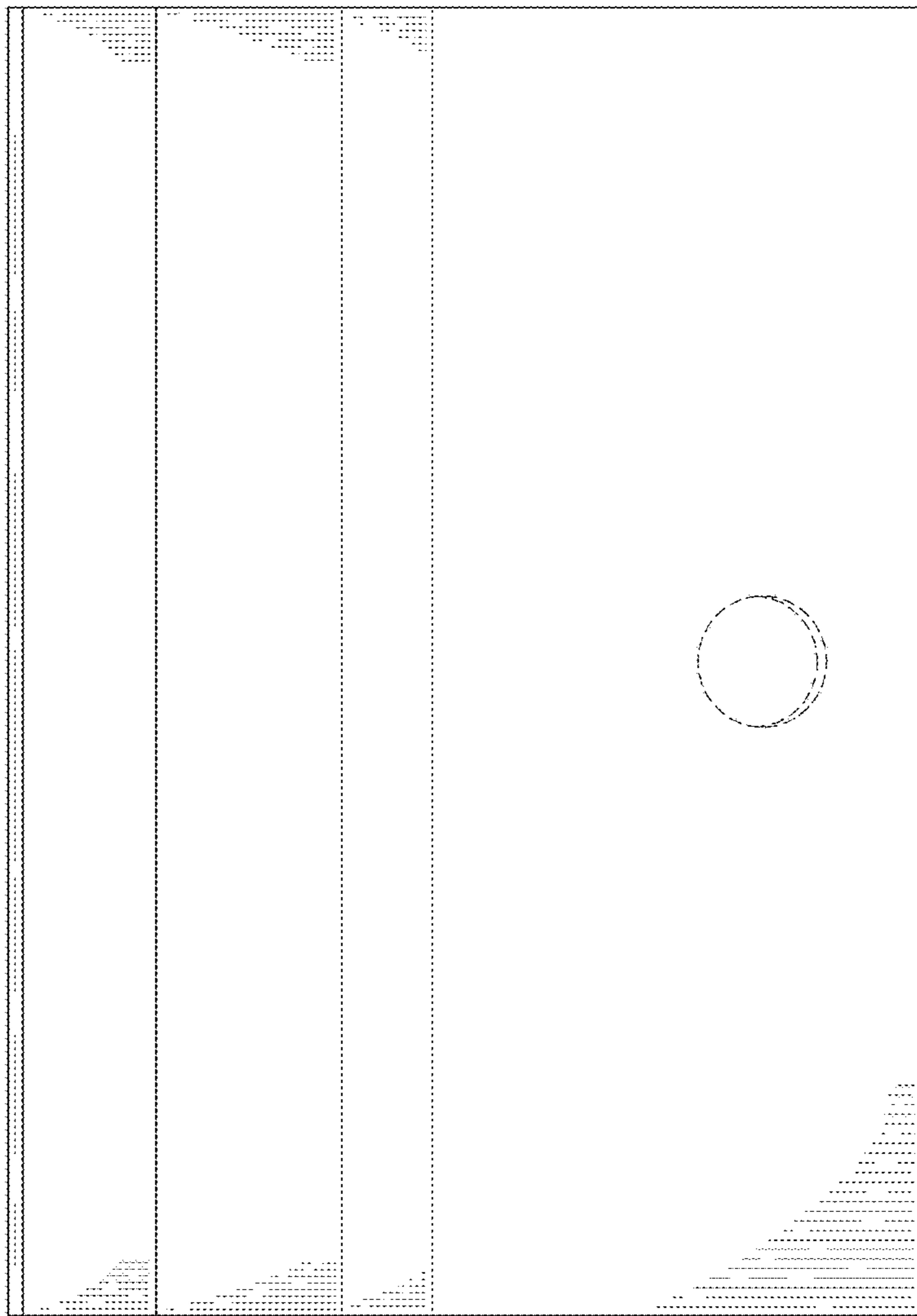


FIG. 12

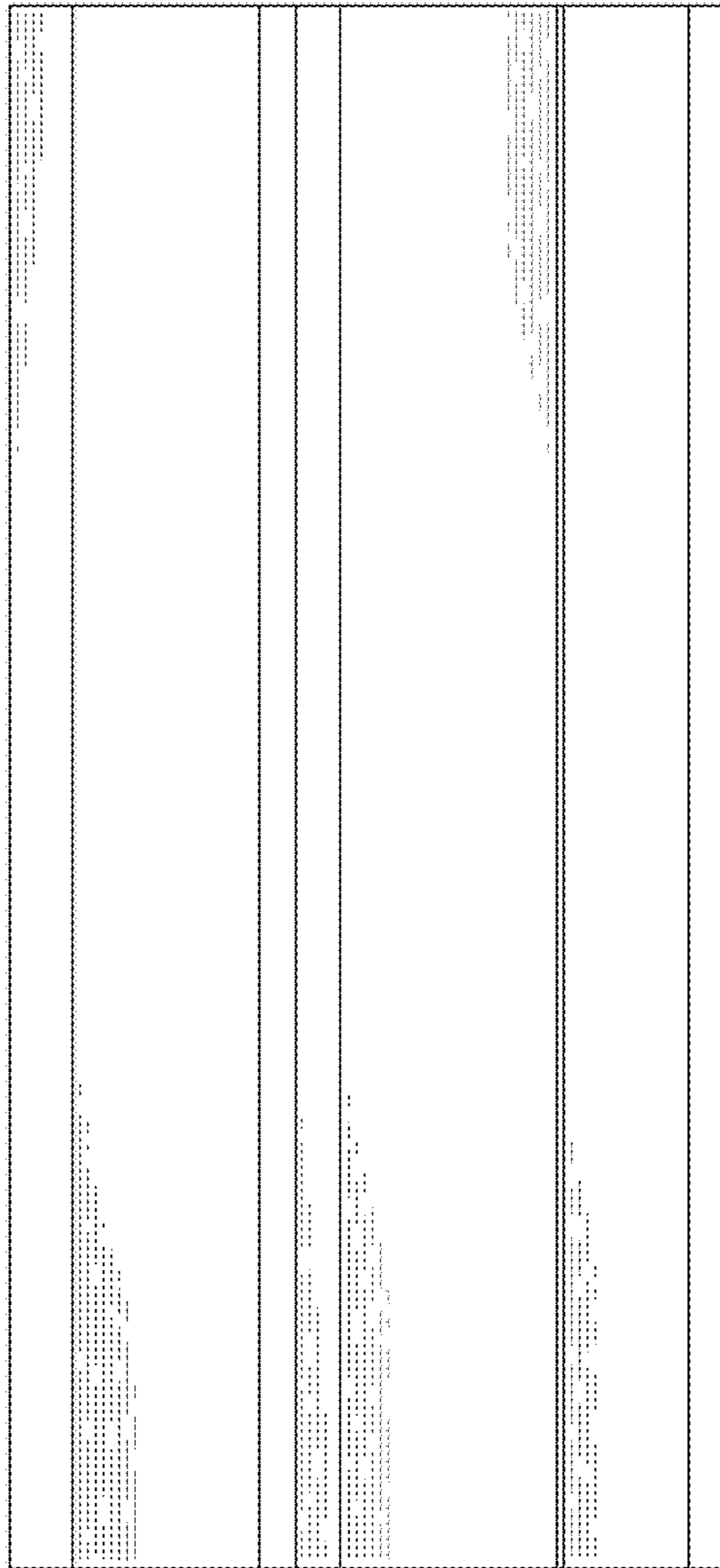


FIG. 13

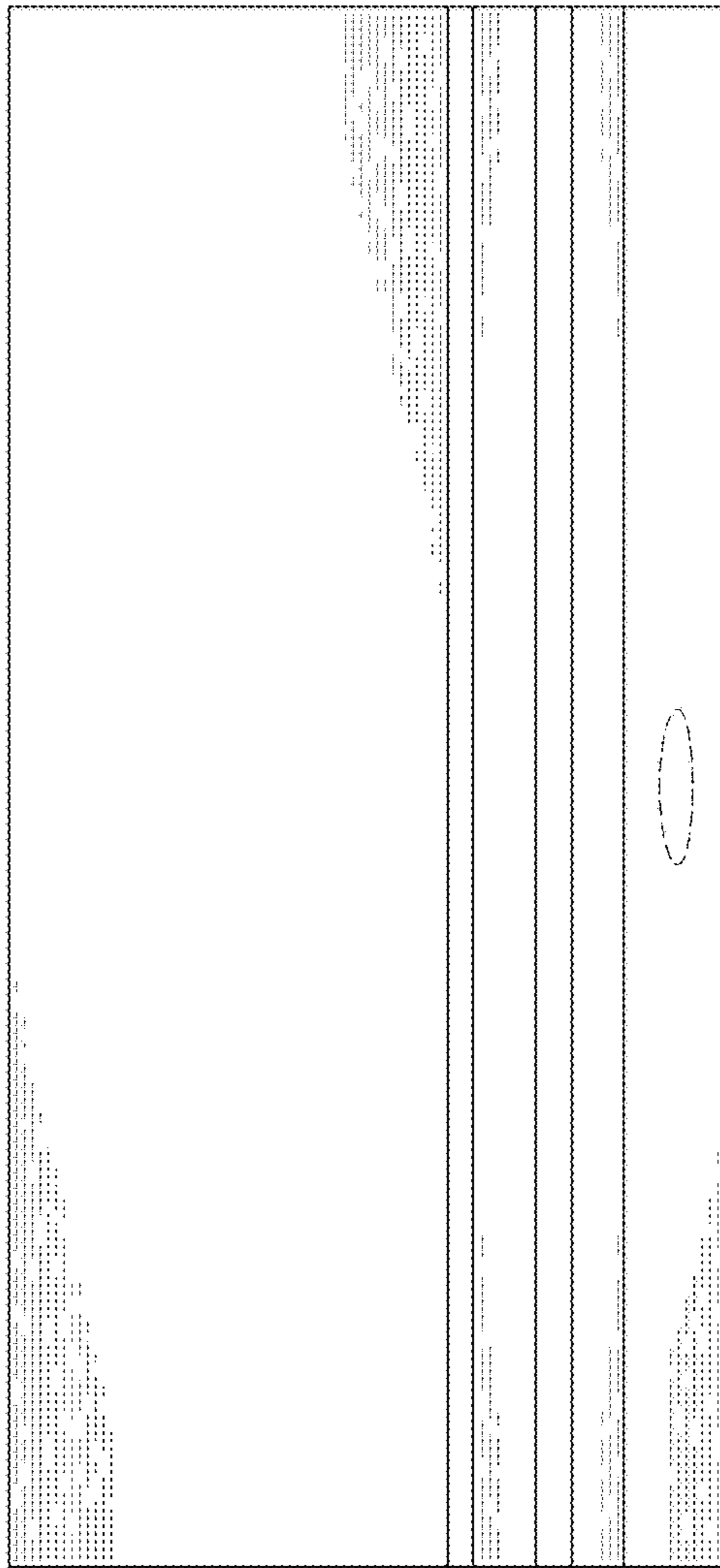


FIG. 14