



US00D890600S

(12) **United States Design Patent** (10) **Patent No.:** **US D890,600 S**
Fechtman et al. (45) **Date of Patent:** **** *Jul. 21, 2020**

(54) **SHELF HOOK ADAPTER**

(71) Applicant: **CHECKPOINT SYSTEMS, INC.**,
Thorofare, NJ (US)

(72) Inventors: **Hans Jürgen Fechtman**, Epfenbach
(DE); **Ingolf Schulten**, Ottersheim (DE)

(73) Assignee: **CHECKPOINT SYSTEMS, INC.**,
Thorofare, NJ (US)

(*) Notice: This patent is subject to a terminal disclaimer.

(**) Term: **15 Years**

(21) Appl. No.: **29/603,853**

(22) Filed: **May 12, 2017**

(51) **LOC (12) Cl.** **08-05**

(52) **U.S. Cl.**
USPC **D8/381**

(58) **Field of Classification Search**
USPC D8/380, 381, 382, 383; D20/10, 19, 22,
D20/42, 43, 99
CPC A47F 5/0815; A47F 5/0068
See application file for complete search history.

(56) **References Cited**

U.S. PATENT DOCUMENTS

D506,384 S *	6/2005	Lawrence	D8/381
7,740,144 B2 *	6/2010	Kosir	A47F 5/08 211/113
D618,989 S *	7/2010	Shpitalni	D8/381
D646,557 S *	10/2011	Chan	D8/367
D650,019 S *	12/2011	Stuke	D20/44
D709,355 S *	7/2014	Berger	D8/356
D756,753 S *	5/2016	Kawaguchi	D8/367
2009/0049724 A1 *	2/2009	Alves	G09F 3/204 40/651

* cited by examiner

Primary Examiner — Janice Hallmark

Assistant Examiner — Harold E Blackwell, II

(74) *Attorney, Agent, or Firm* — McDonald Hopkins LLC

(57) **CLAIM**

The ornamental design for an shelf hook adapter, as shown and described.

DESCRIPTION

FIG. 1 is a perspective front view of a shelf hook adapter in accordance with an embodiment of the present invention; FIG. 2 is a perspective rear view of the shelf hook adapter of FIG. 1;

FIG. 3 is a front view of the shelf hook adapter of FIG. 1; FIG. 4 is a rear view of the shelf hook adapter of FIG. 1; FIG. 5 is a right side view of the shelf hook adapter of FIG. 1;

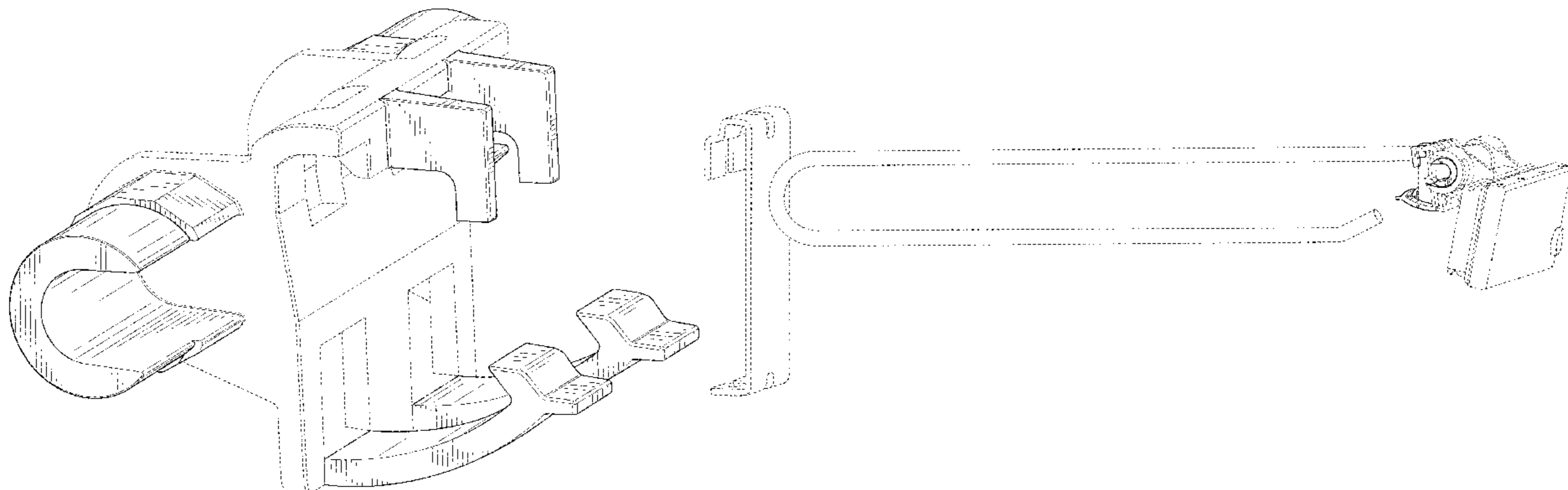
FIG. 6 is a left side view of the shelf hook adapter of FIG. 1;

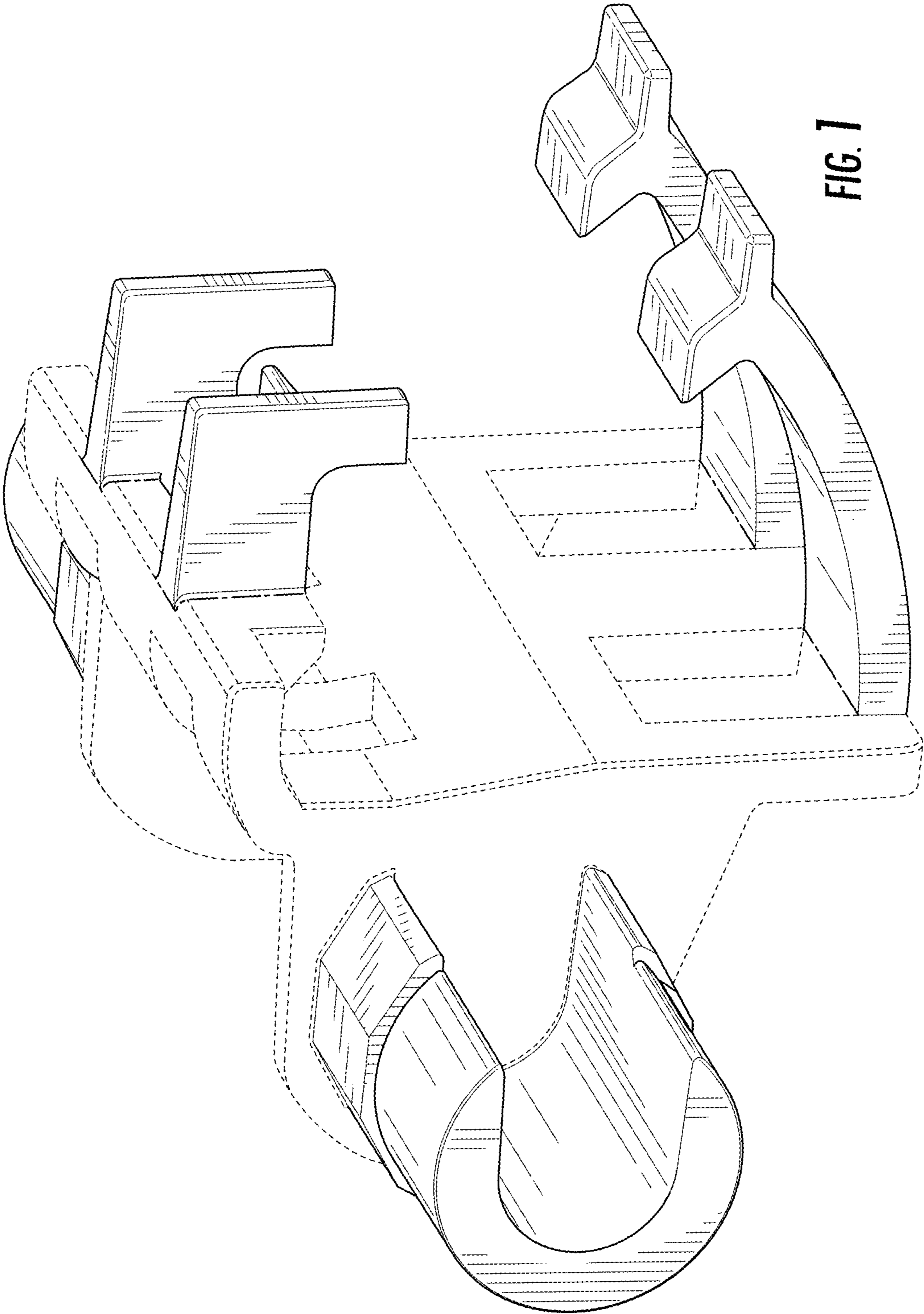
FIG. 7 is a top view of the shelf hook adapter of FIG. 1; FIG. 8 is a bottom view of the shelf hook adapter of FIG. 1; and,

FIG. 9 is a perspective view of a shelf hook having the shelf hook adapter attached thereto, and an engagement connector attached to the shelf hook adapter to support a pricing display.

The dash broken lines of the shelf hook adapter in FIGS. 1-9 form no part of the claimed design. The dash-dot-dash broken lines indicate a boundary between the claimed and unclaimed areas. The broken lines of the shelf hook, the engagement connector, and the pricing display to which the a shelf hook adapter is, directly or indirectly, attached in FIG. 9 are illustrative of the visible environmental structure of the shelf hook adapter and form no part of the claimed design.

1 Claim, 9 Drawing Sheets





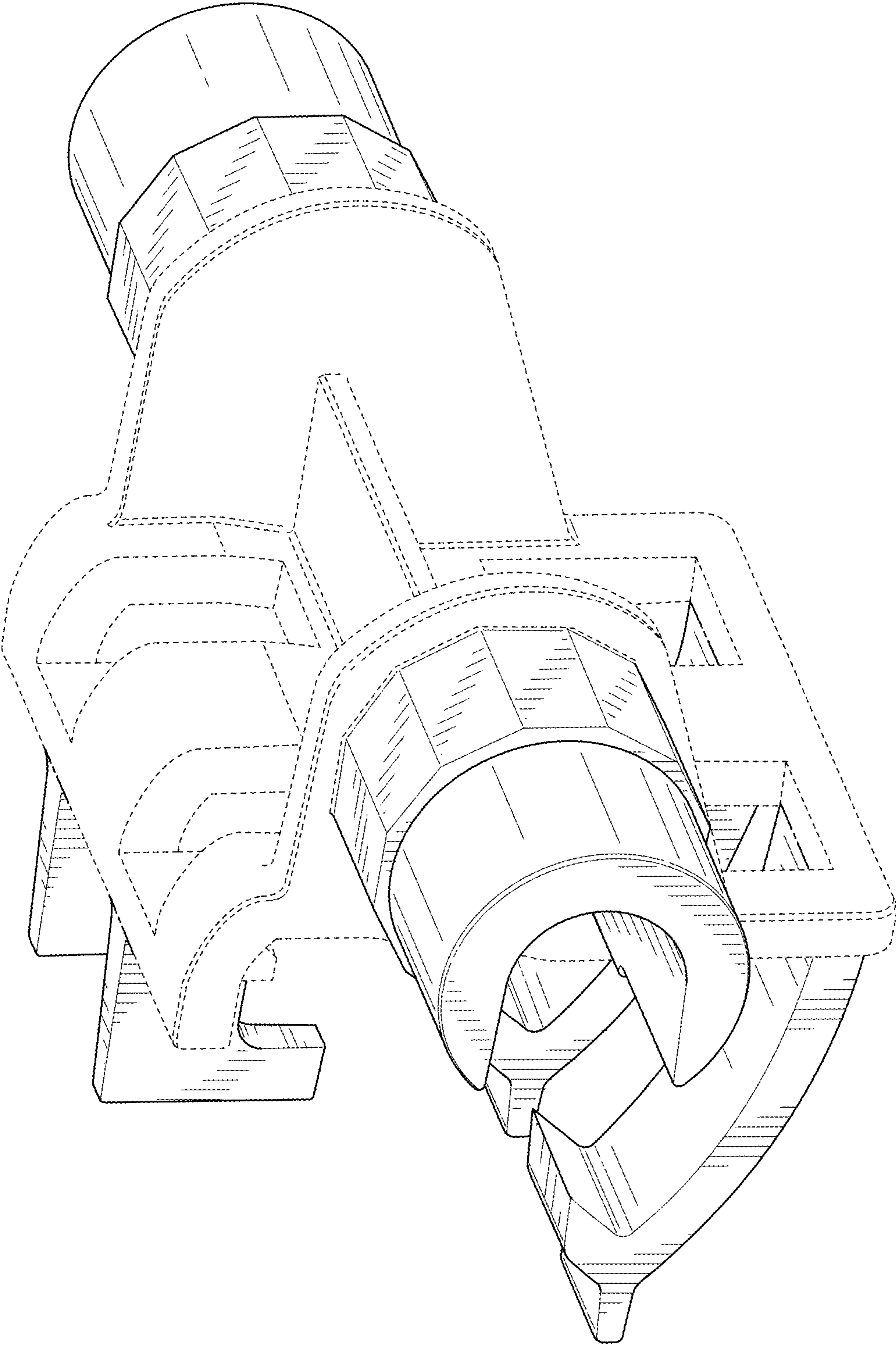


FIG. 2

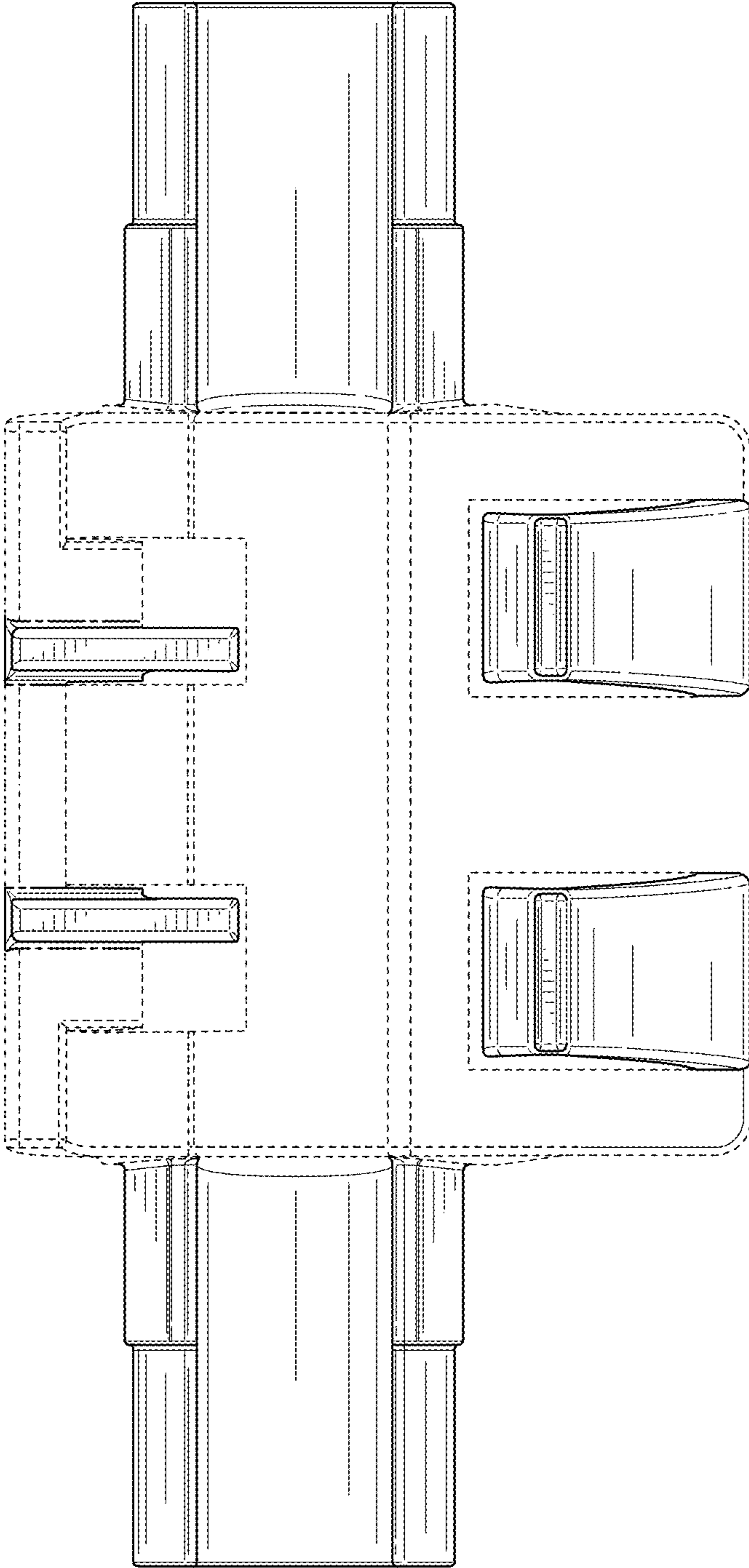


FIG. 3

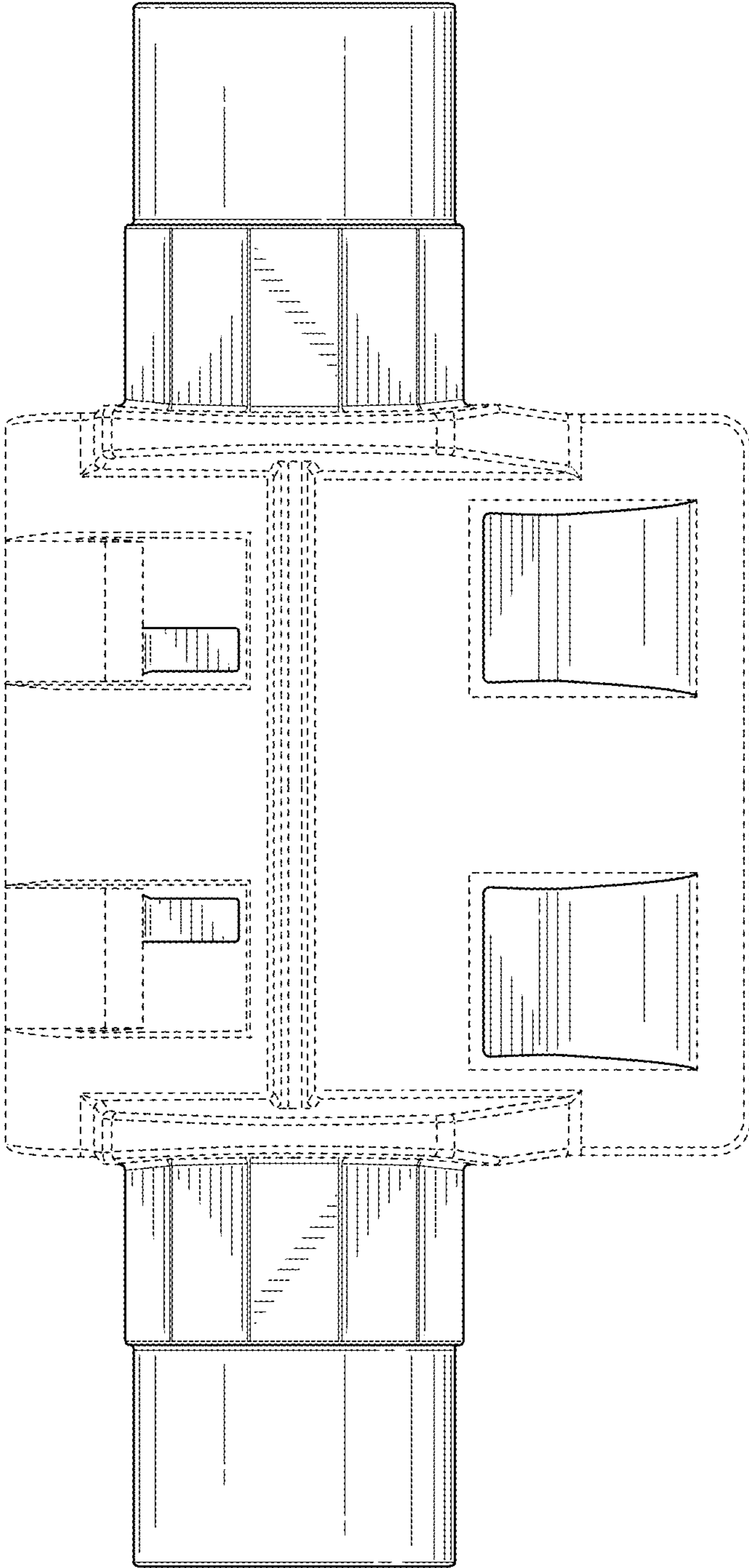


FIG. 4

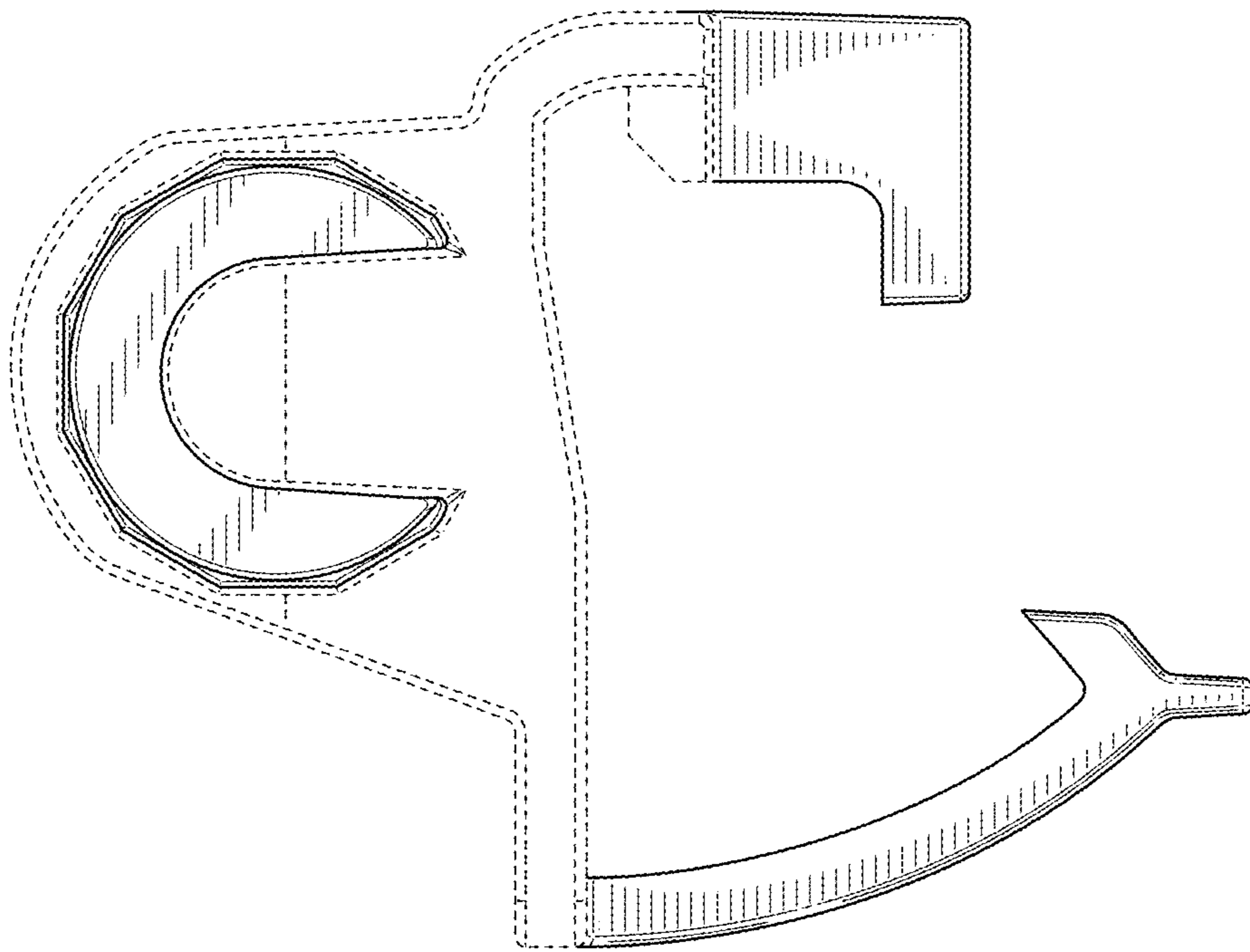


FIG. 5

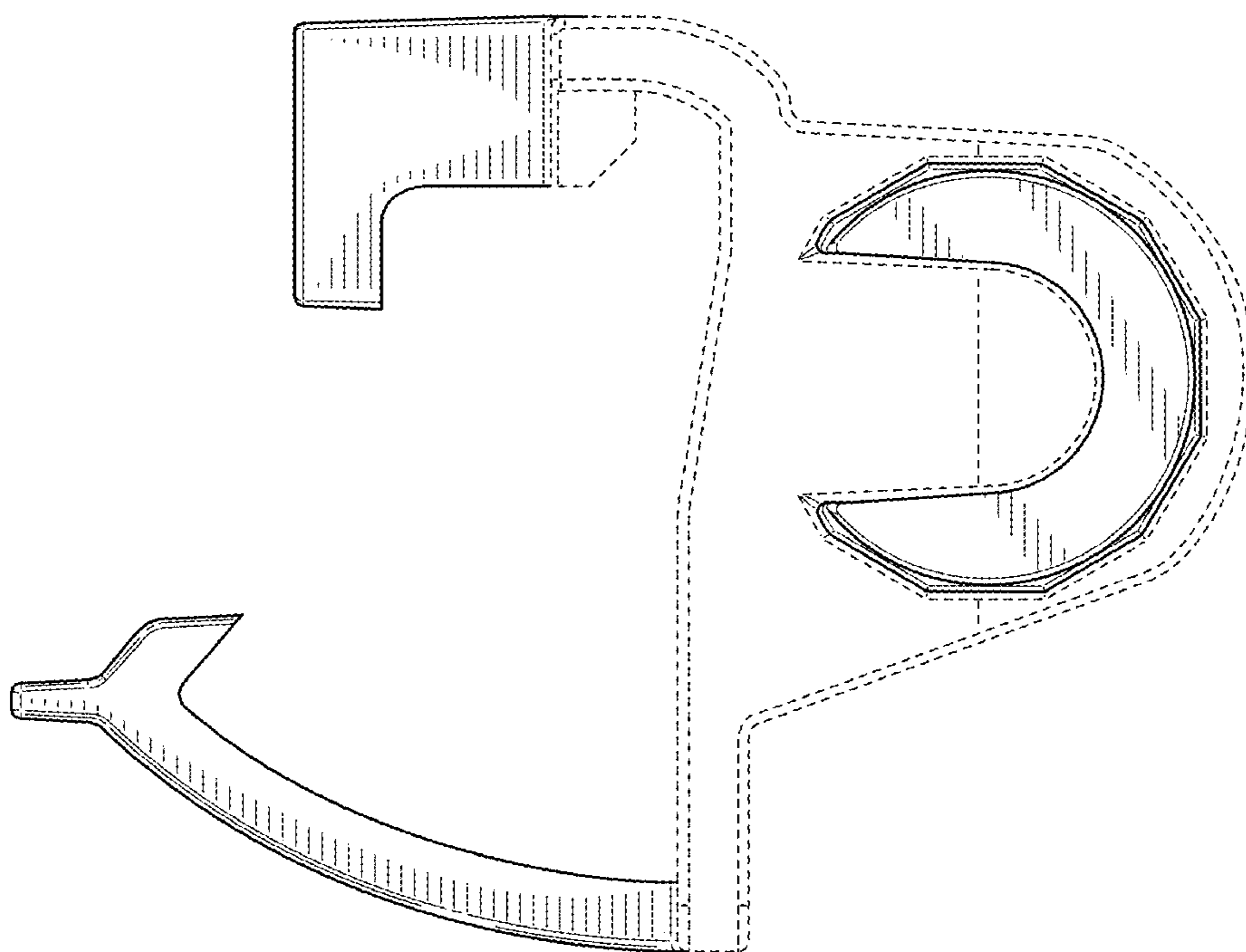


FIG. 6

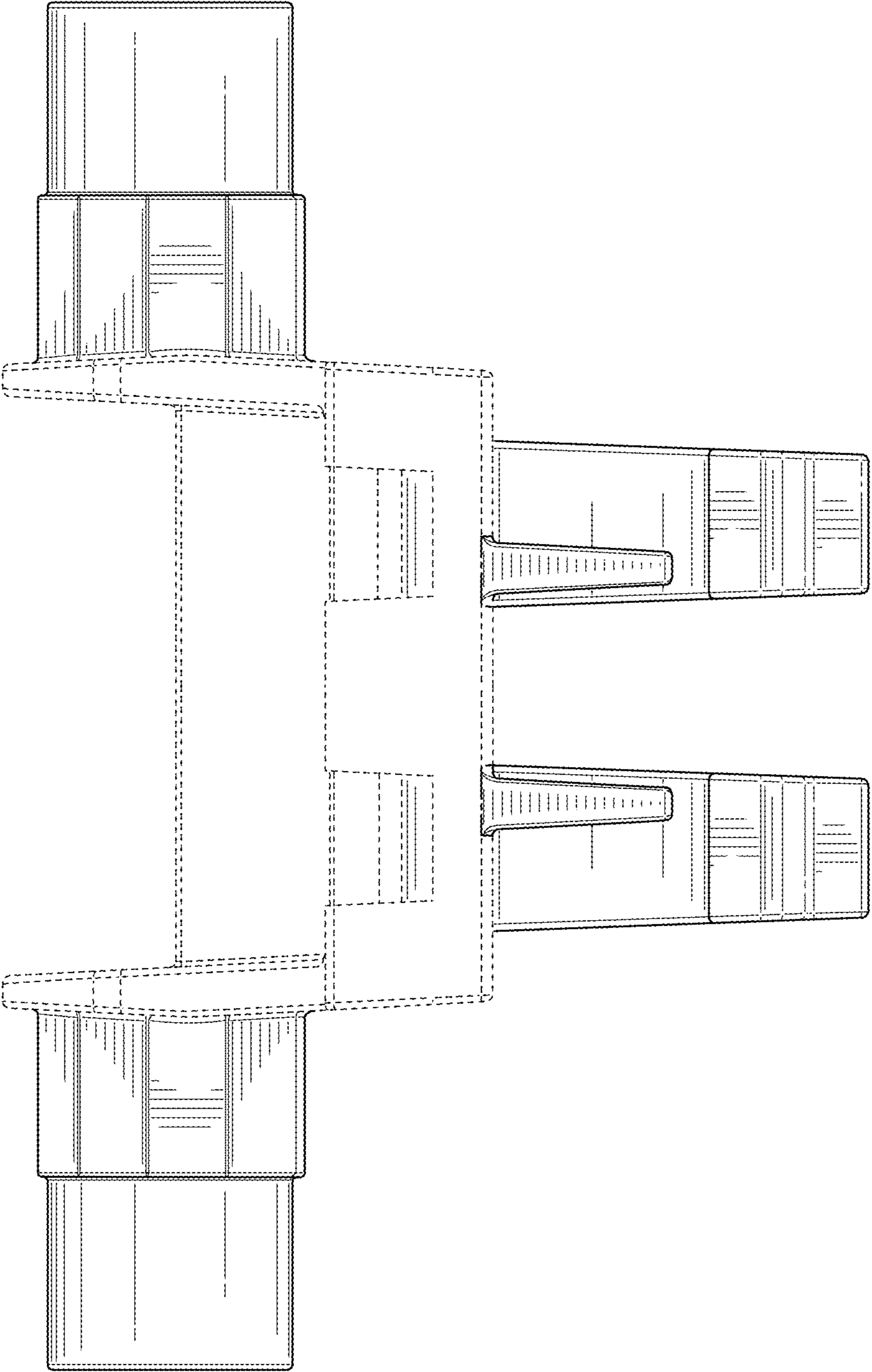


FIG. 7

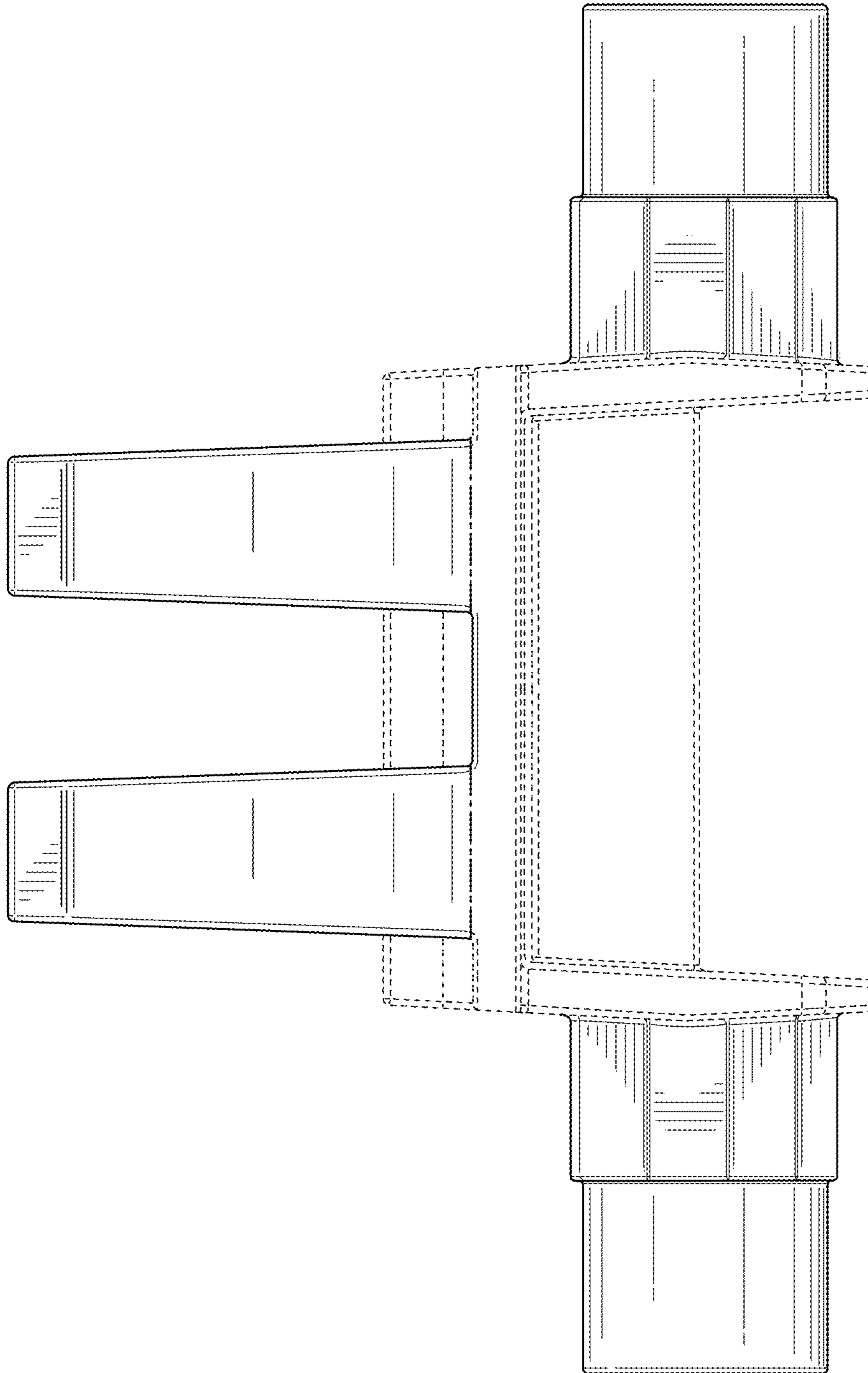


FIG. 8

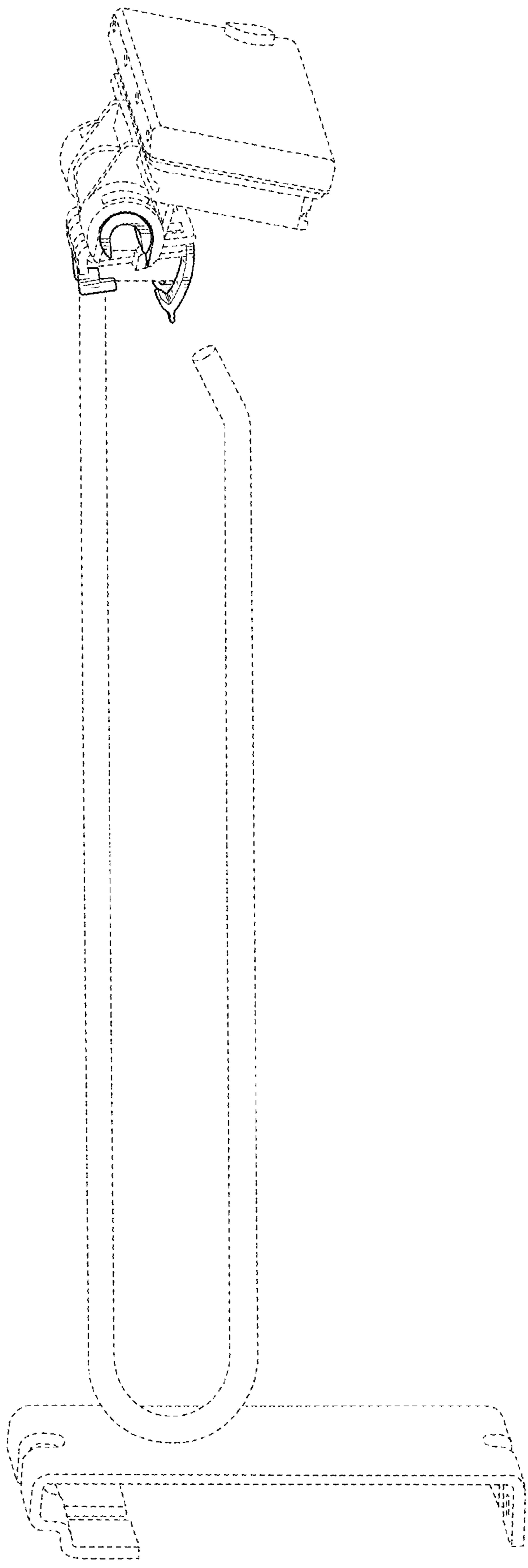


FIG. 9