



US00D890599S

(12) **United States Design Patent**  
**Masser et al.**

(10) **Patent No.:** **US D890,599 S**  
(45) **Date of Patent:** **\*\* Jul. 21, 2020**

(54) **BRACKET FOR MODULAR PLATFORM ASSEMBLIES**

(71) Applicant: **Structural Plastics Corporation**,  
Holly, MI (US)

(72) Inventors: **Jeremy Masser**, Fenton, MI (US);  
**Matt Janowak**, Fenton, MI (US)

(73) Assignee: **Structural Plastics Corporation**,  
Holly, MI (US)

(\*\*) Term: **15 Years**

(21) Appl. No.: **29/635,243**

(22) Filed: **Jan. 30, 2018**

(51) **LOC (12) Cl.** ..... **08-05**

(52) **U.S. Cl.**  
USPC ..... **D8/380**; D8/381; D6/567

(58) **Field of Classification Search**  
USPC ..... D6/553, 556, 567, 574, 663, 664, 665,  
D6/668, 668.1, 668.2, 672, 698, 699,  
D6/699.1, 699.2, 699.3, 699.4, 699.5;  
D8/380, 381, 363; D14/452

CPC .... E04H 3/28; E04H 3/24; E04B 5/10; E04G  
5/062; B61B 1/02; B25H 1/14; F01D  
25/285

See application file for complete search history.

(56) **References Cited**

**U.S. PATENT DOCUMENTS**

D32,585 S \* 4/1900 Pessano ..... D8/363  
D65,500 S \* 8/1924 Schmale ..... D7/402  
D78,426 S \* 4/1929 Whincap ..... D8/363  
3,097,822 A \* 7/1963 Attwood ..... A47B 57/46  
248/250

D295,950 S \* 5/1988 Johnston ..... 108/108  
D299,894 S \* 2/1989 Vignale ..... D6/574  
D312,936 S \* 12/1990 Lim ..... D6/552  
D314,115 S \* 1/1991 Murphy ..... D6/572  
D373,719 S \* 9/1996 Lin ..... D8/373  
D508,646 S \* 8/2005 Gates ..... D8/381  
D596,931 S \* 7/2009 Fernandez ..... D8/381  
D602,603 S 10/2009 Masser  
7,770,743 B1 8/2010 Janowak et al.  
7,900,783 B2 \* 3/2011 Fernandez ..... A47B 45/00  
108/108  
8,408,404 B2 \* 4/2013 Miller ..... B25H 1/00  
211/90.01  
8,475,073 B1 7/2013 Rodriguez et al.  
2009/0224125 A1 9/2009 Janowak et al.

\* cited by examiner

*Primary Examiner* — Mary Ann Calabrese

*Assistant Examiner* — Catherine Ho

(74) *Attorney, Agent, or Firm* — Young Basile Hanlon &  
MacFarlane, P.C.

(57) **CLAIM**

The ornamental design for a bracket for modular platform assemblies, as shown and described.

**DESCRIPTION**

FIG. 1 is a perspective view of a bracket according to the new design.

FIG. 2 is a front view of the bracket of FIG. 1.

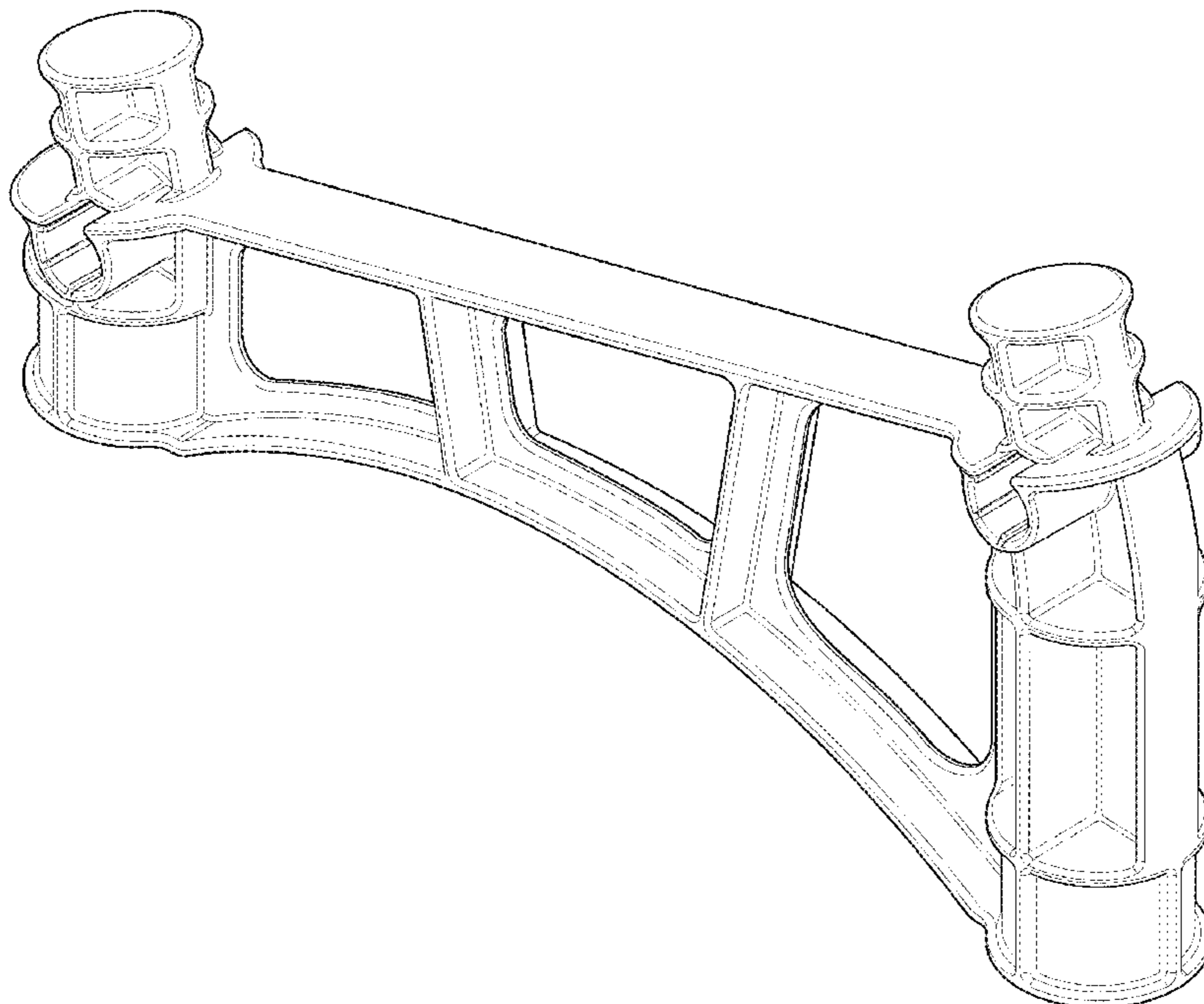
FIG. 3 is a rear view of the bracket of FIG. 1.

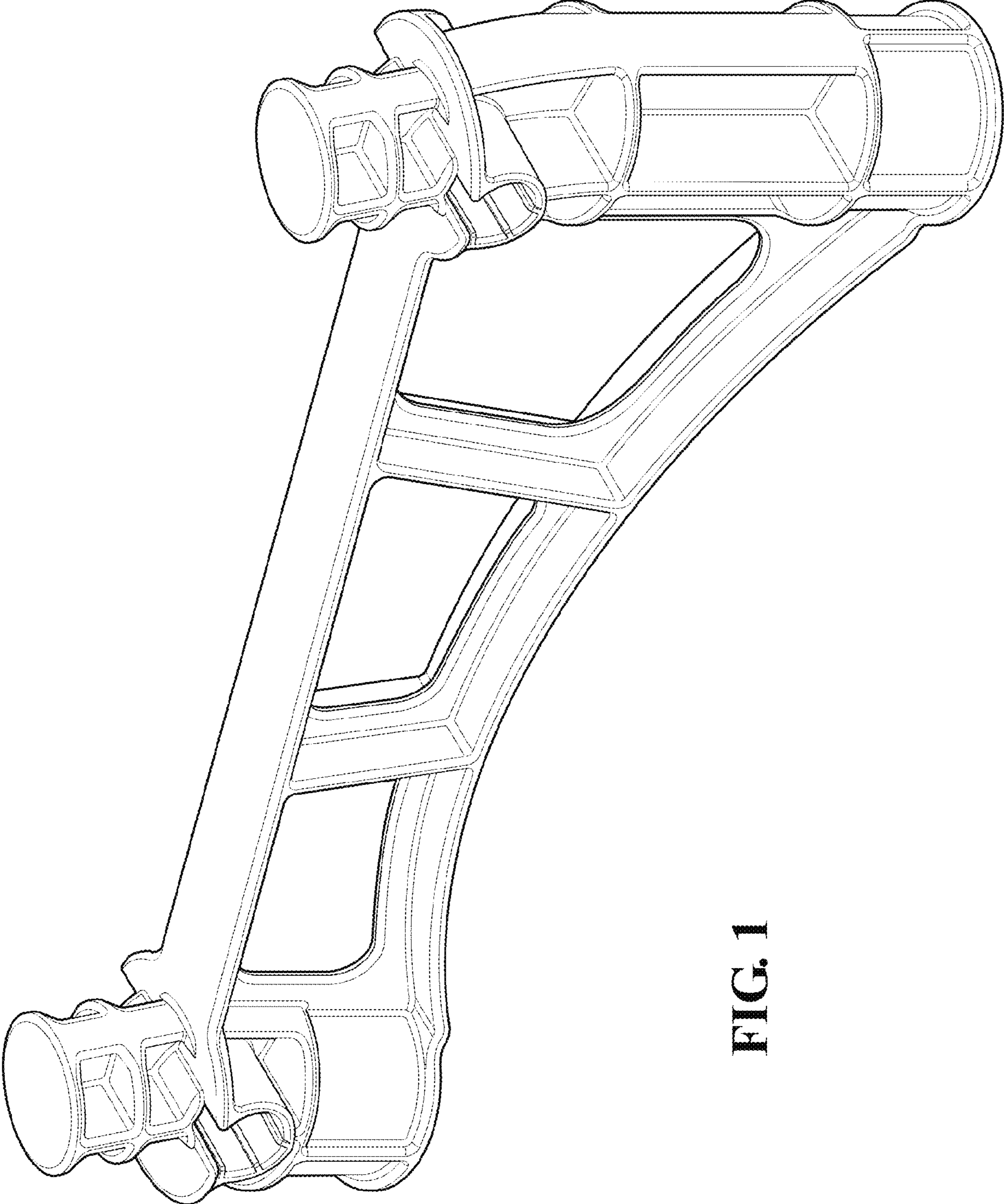
FIG. 4 is a left side view of the bracket of FIG. 1, the right side view being a mirror image of the left side view.

FIG. 5 is a top view of the bracket of FIG. 1; and,

FIG. 6 is a bottom view of the bracket of FIG. 1.

**1 Claim, 4 Drawing Sheets**





**FIG. 1**

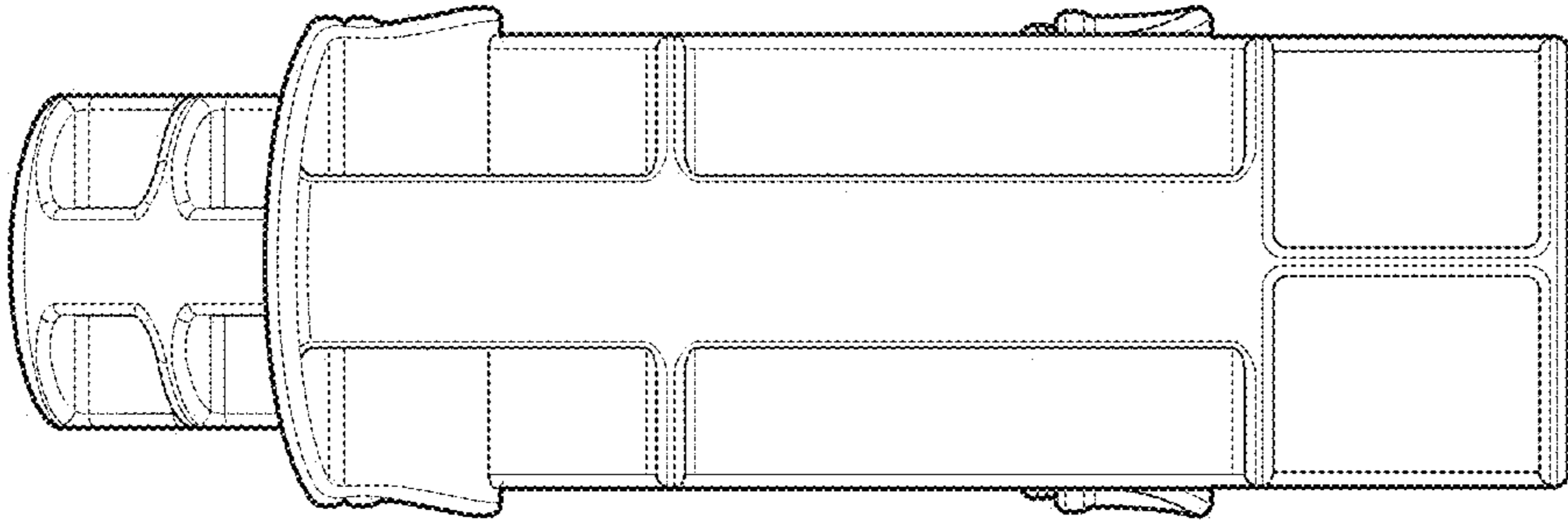


FIG. 3

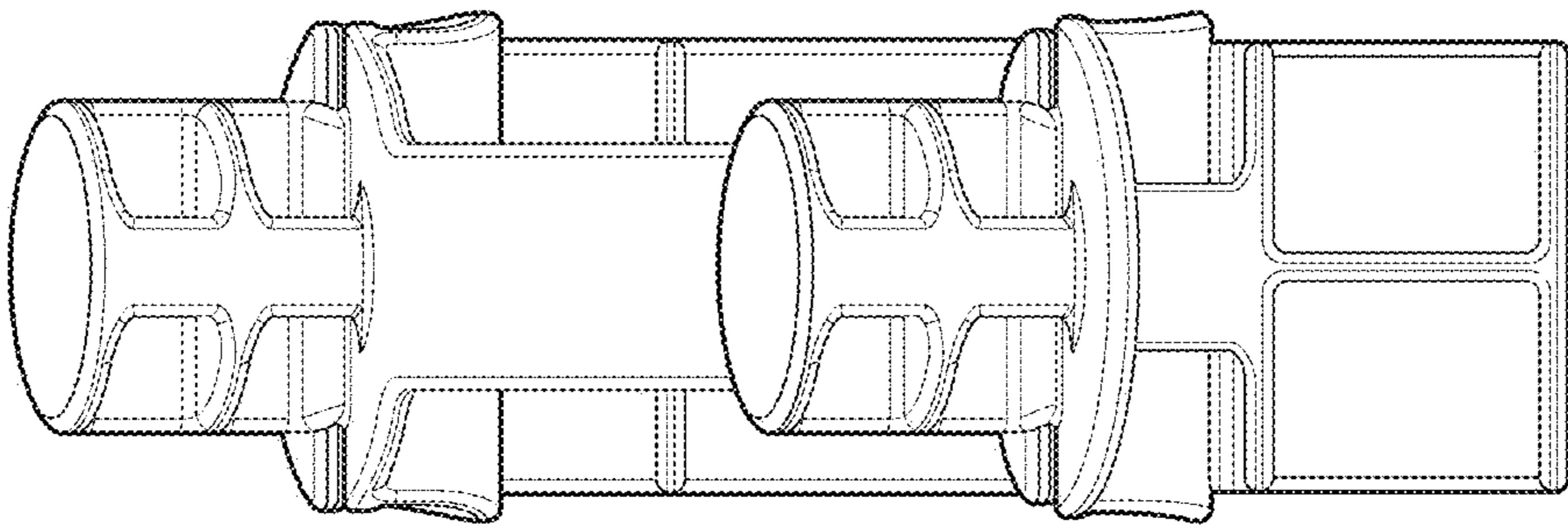


FIG. 2

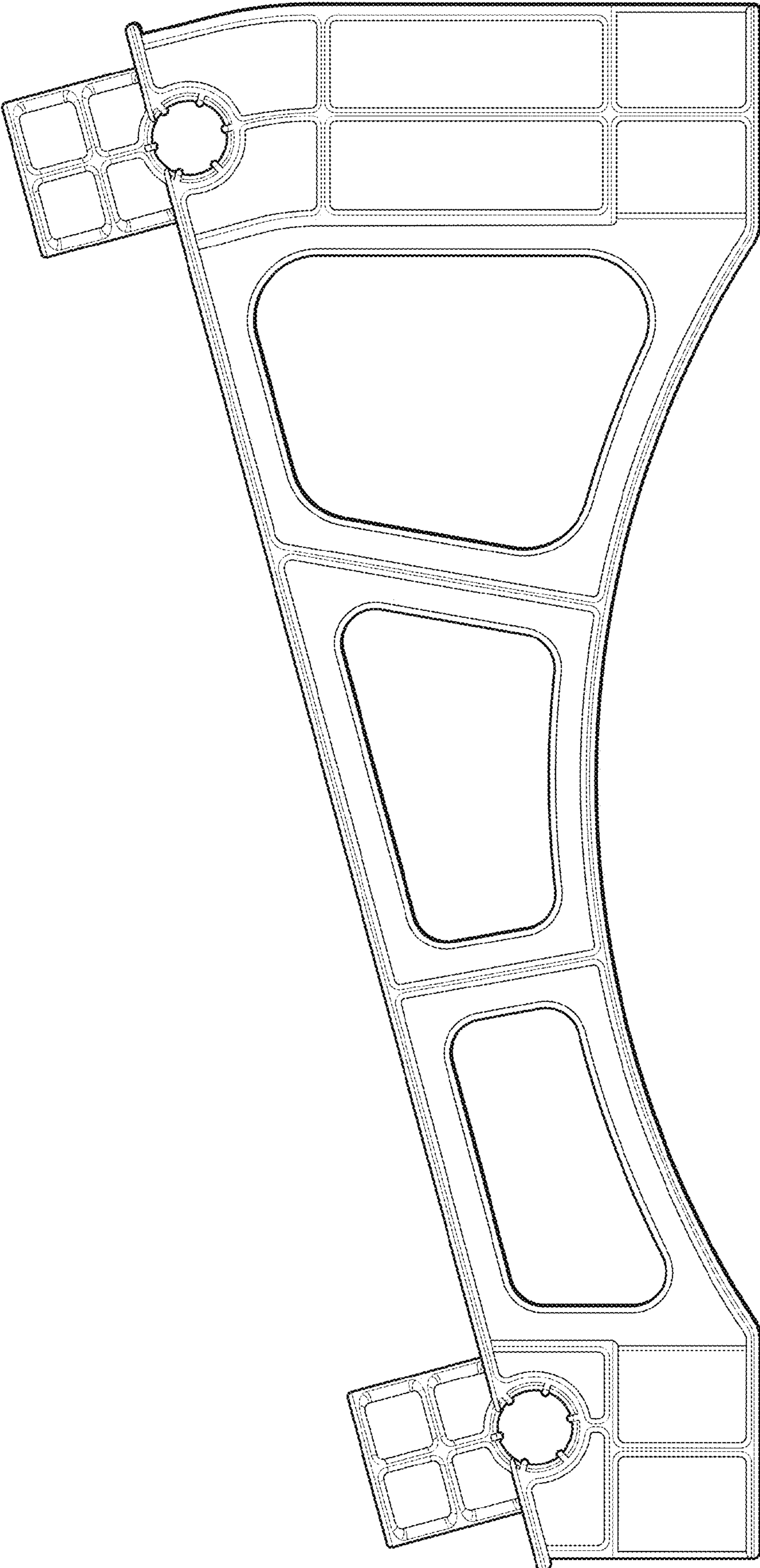


FIG. 4

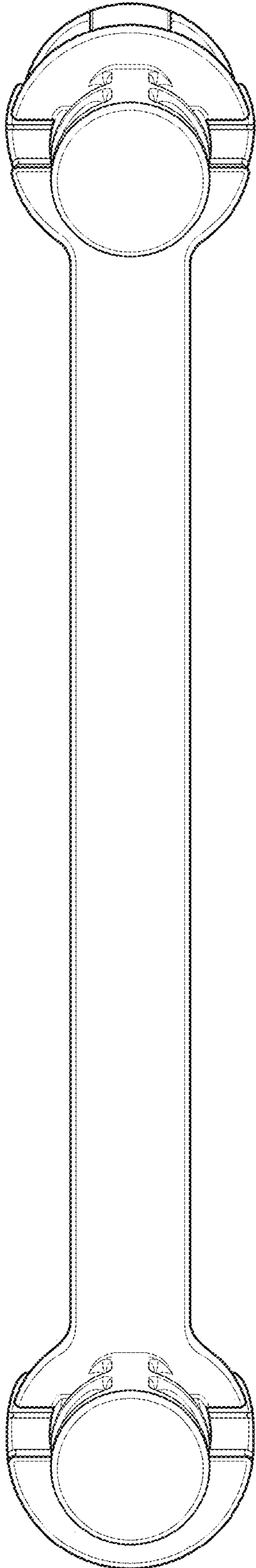


FIG. 5

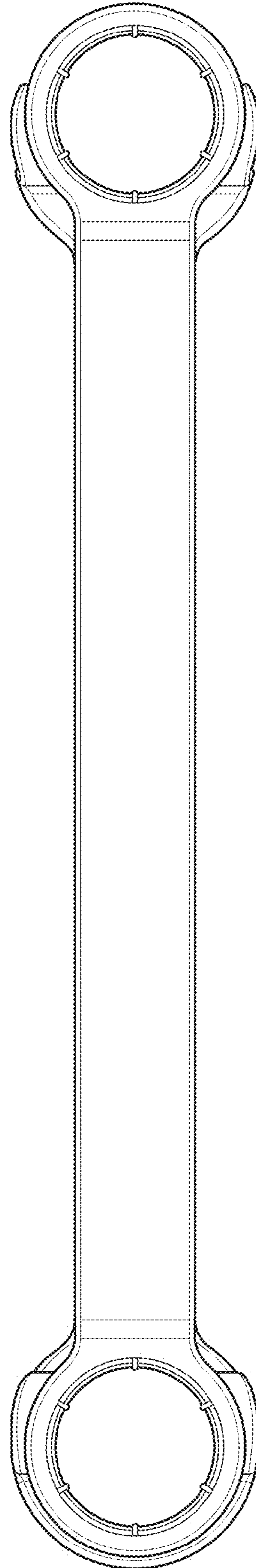


FIG. 6