

US00D890598S

(12) **United States Design Patent** (10) **Patent No.:** **US D890,598 S**  
**Chase** (45) **Date of Patent:** **\*\* Jul. 21, 2020**

(54) **LOW PROFILE GLIDE CAP**  
(71) Applicant: **GUTTERPUNK LLC**, Vassar, MI (US)  
(72) Inventor: **John Chase**, Rochester, MI (US)  
(73) Assignee: **GUTTERPUNK LLC**, Vassar, MI (US)  
(\*\*) Term: **15 Years**

(21) Appl. No.: **29/633,175**  
(22) Filed: **Jan. 12, 2018**  
(51) **LOC (12) Cl.** ..... **08-05**  
(52) **U.S. Cl.**  
USPC ..... **D8/374**  
(58) **Field of Classification Search**  
USPC ..... D8/321, 359, 374, 375, 376, 377, 400,  
D8/61, 64, 70, 363, 381, 354, 349, 403,  
D8/57, 69, 310; D3/276; D6/587;  
D7/318, 393, 600, 622, 705, 624.1, 502,  
D7/553.1, 553.2, 553.4, 553.5, 553.6,  
D7/554.2, 554.3; D9/531; D14/238, 373,  
D14/448, 451, 452; D25/38.1, 41.1, 43,  
D25/48.2, 48.3  
CPC ..... Y10T 16/10; Y10T 16/104; Y10T 16/124;  
Y10T 16/1263; Y10T 16/127; Y10T  
16/131; Y10T 16/14; Y10T 16/35; Y10T  
16/3543; Y10T 16/37; Y10T 16/376;  
Y10T 16/379; Y10T 16/387; Y10T  
24/44573; Y10T 29/53543; Y10T  
137/6903; Y10T 16/372; Y10T 16/375;  
Y10T 16/378; Y10T 16/3797; A47H 1/02  
See application file for complete search history.

(56) **References Cited**  
U.S. PATENT DOCUMENTS  
D167,602 S \* 9/1952 Auer ..... D8/374  
2,933,850 A \* 4/1960 Martin ..... A47B 91/12  
248/188.2

D376,753 S \* 12/1996 Nakamura ..... D8/374  
D379,061 S \* 5/1997 Williams ..... D8/374  
D493,090 S \* 7/2004 Chen ..... D8/310  
D513,169 S 12/2005 Bushey  
D517,401 S \* 3/2006 Carnevali ..... D8/374  
D539,117 S \* 3/2007 Sealey ..... D8/349  
D548,577 S 8/2007 Shiffler et al.  
D568,134 S \* 5/2008 Umbrell ..... D8/70  
D617,631 S \* 6/2010 Bushey ..... D8/374  
(Continued)

**OTHER PUBLICATIONS**

5 Gallon Samson Stackers, Blue, 6 Pack (30 Gallons), Emergency Water Storage Kit—New!—Clean!—Boxed! Spigot. Cap Wrench, posted as early as Jun. 26, 2015, [retrieved Sep. 26, 2019]. Retrieved from Internet, <URL: <https://www.amazon.com/Gallon-Stackers-Gallons-Emergency-Storage/dp/B00S1RACNY> >.\*  
(Continued)

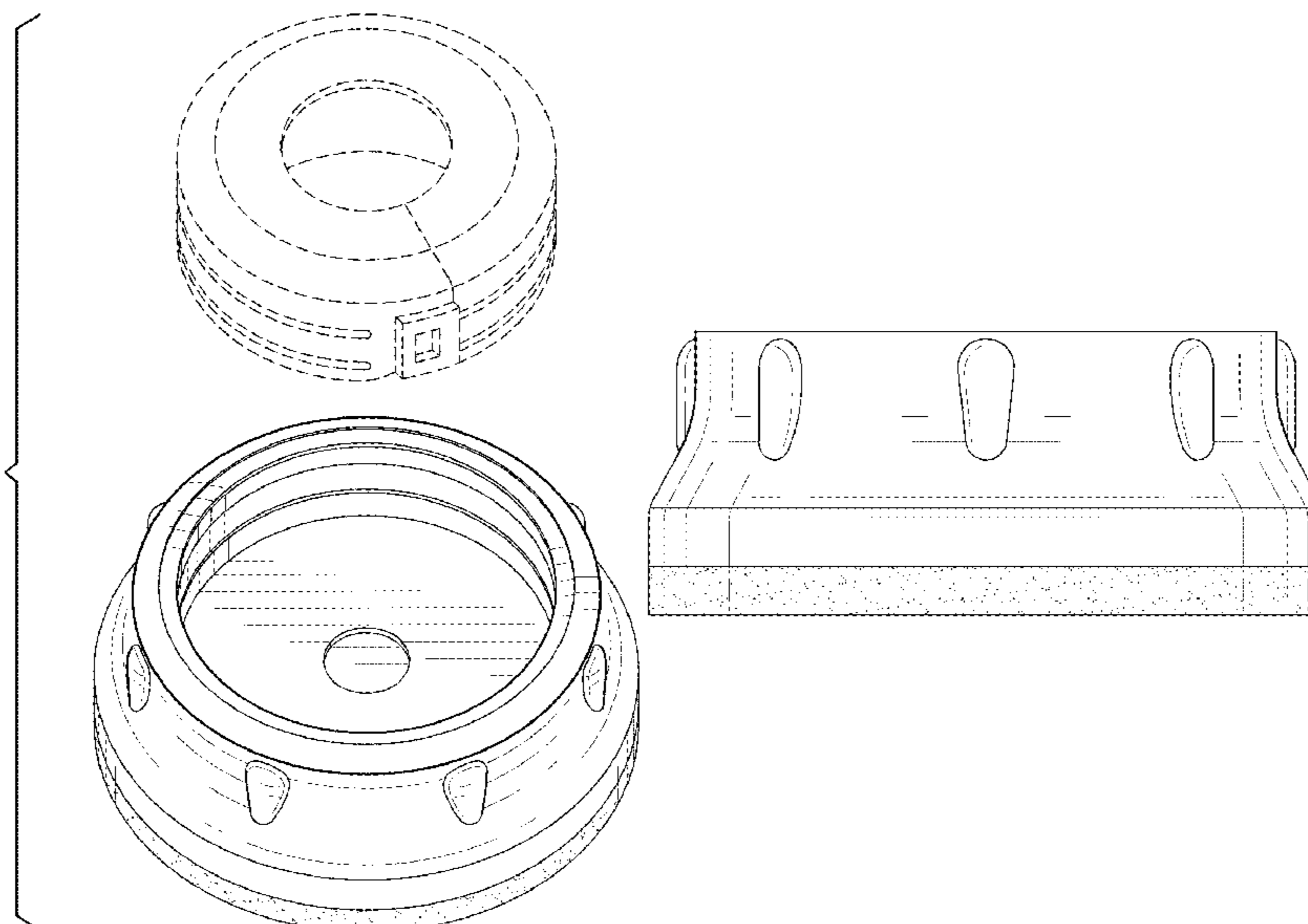
*Primary Examiner* — Shannon W Morgan  
*Assistant Examiner* — Kristin E Reed  
(74) *Attorney, Agent, or Firm* — Brooks Kushman P.C.

(57) **CLAIM**  
The ornamental design for a low profile glide cap, as shown and described.

**DESCRIPTION**

FIG. 1 is a perspective view of a low profile glide cap of my invention shown separated from an insert used to secure the cap to a furniture leg.  
FIG. 2 is an elevation view thereof.  
FIG. 3 is a top plan view thereof; and,  
FIG. 4 is a bottom plan view thereof.  
The broken line showing of the insert used to secure the cap to a furniture leg in FIG. 1 is for the purpose illustrating environmental subject matter and forms no part of the claimed design.

**1 Claim, 2 Drawing Sheets**



(56)

**References Cited**

## U.S. PATENT DOCUMENTS

7,770,853 B2 8/2010 Sniffler et al.  
D652,712 S 1/2012 Bushey  
8,240,004 B2 8/2012 Carpinella et al.  
8,869,999 B2\* 10/2014 Lindo ..... A47H 1/022  
211/105.3  
D786,652 S \* 5/2017 Lira-Nunez ..... D8/321  
D792,195 S 7/2017 Carpinella  
D806,520 S \* 1/2018 Krombein ..... D8/354  
10,141,686 B2\* 11/2018 Martino ..... H01R 13/5845

## OTHER PUBLICATIONS

Vollrath 303 Rubber Foot, posted Jul. 5, 2016, [retrieved Sep. 26, 2019]. Retrieved from Internet, <URL: [https://www.webstaurantstore.com/vollrath-303-rubber-foot/922400NFOOT.html?utm\\_source=Google&utm\\_medium=cpc&utm\\_campaign=GoogleShopping&gclid=EAlalQobChMl7v2sso\\_v5AIVjODICh3KkkgVEAQYJyABEgLfD\\_BwE](https://www.webstaurantstore.com/vollrath-303-rubber-foot/922400NFOOT.html?utm_source=Google&utm_medium=cpc&utm_campaign=GoogleShopping&gclid=EAlalQobChMl7v2sso_v5AIVjODICh3KkkgVEAQYJyABEgLfD_BwE) >.\*

End cap 2-pole LSD (230V), posted unknown, [retrieved Sep. 26, 2019]. Retrieved from Internet, <URL: <https://www.steinigke.de/en/mnpne6506459-end-cap-2-pole-bsd-230v.html> >.\*

\* cited by examiner

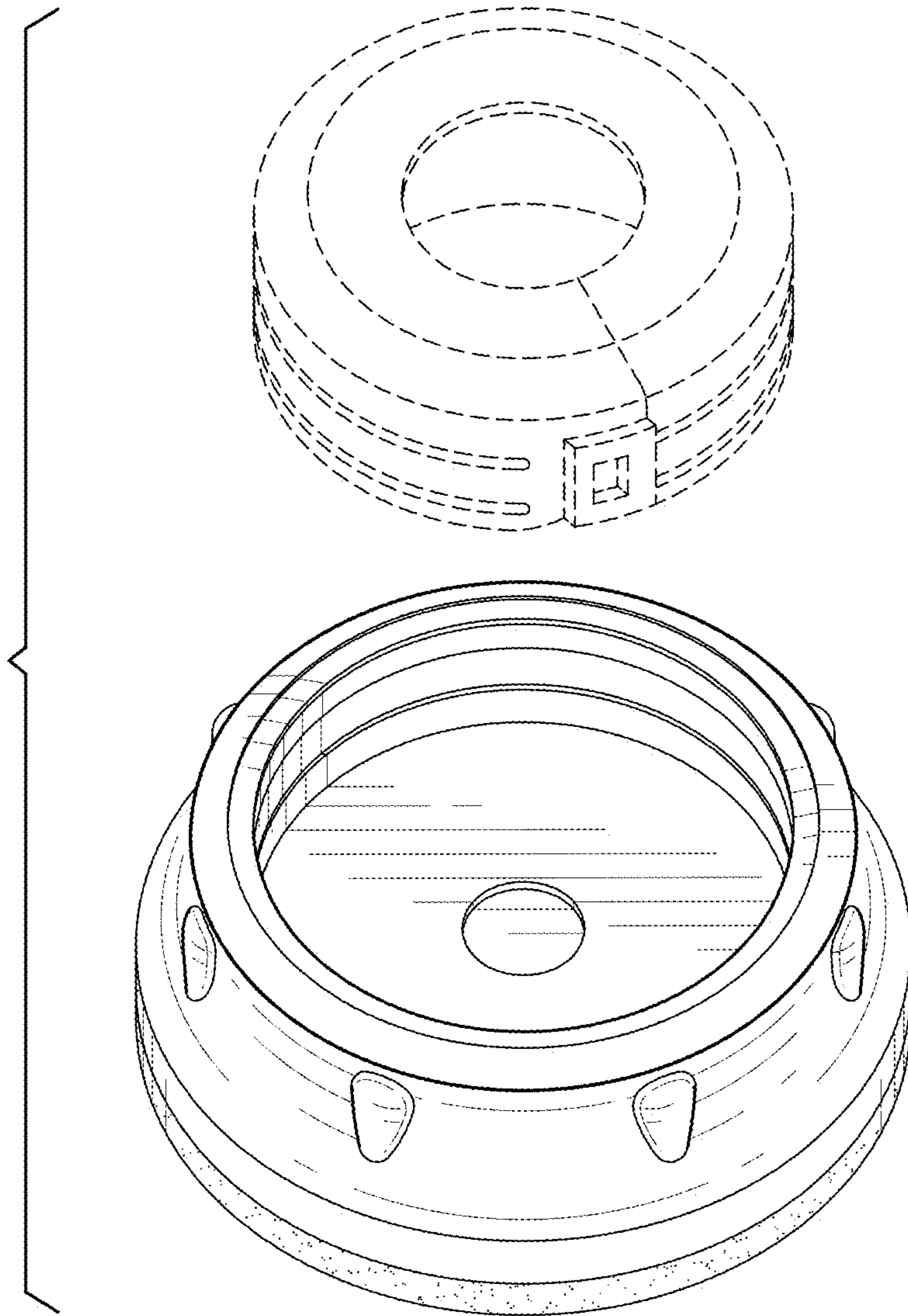


Fig-1

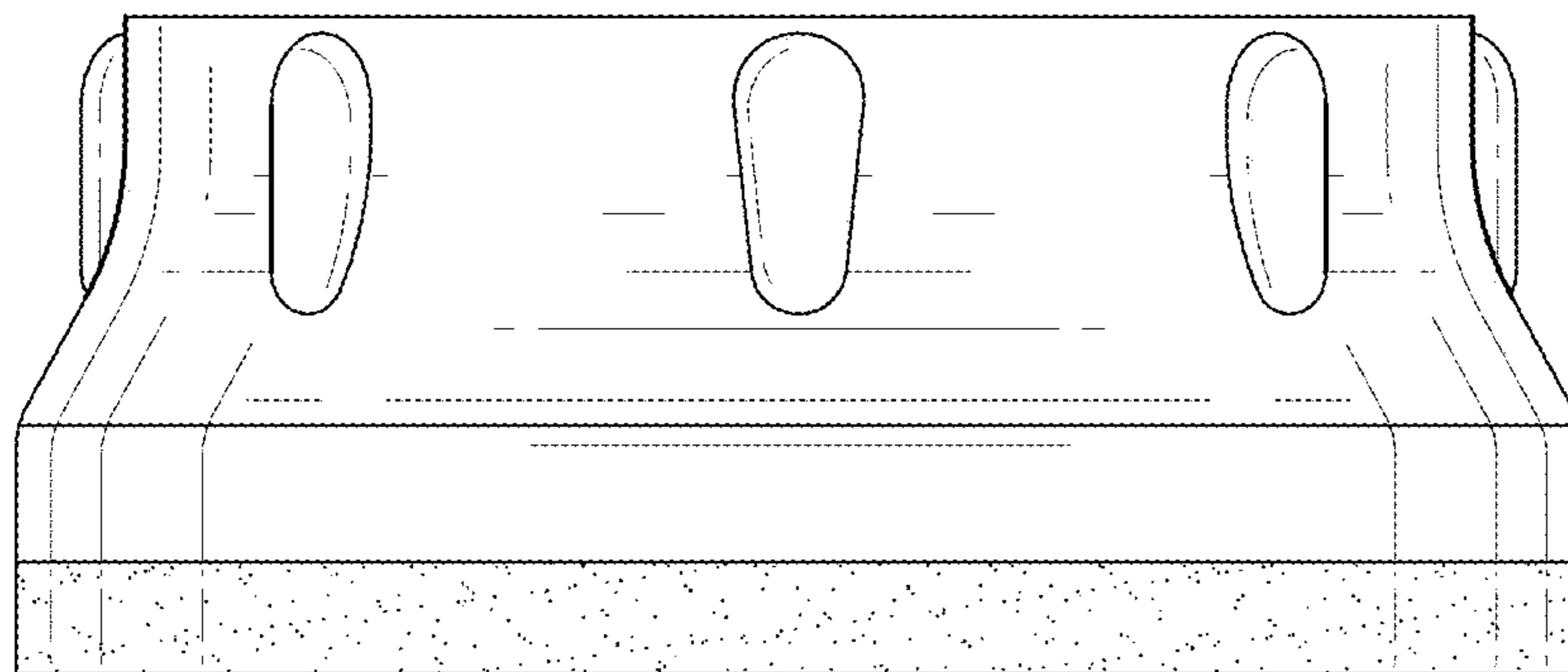


Fig-2

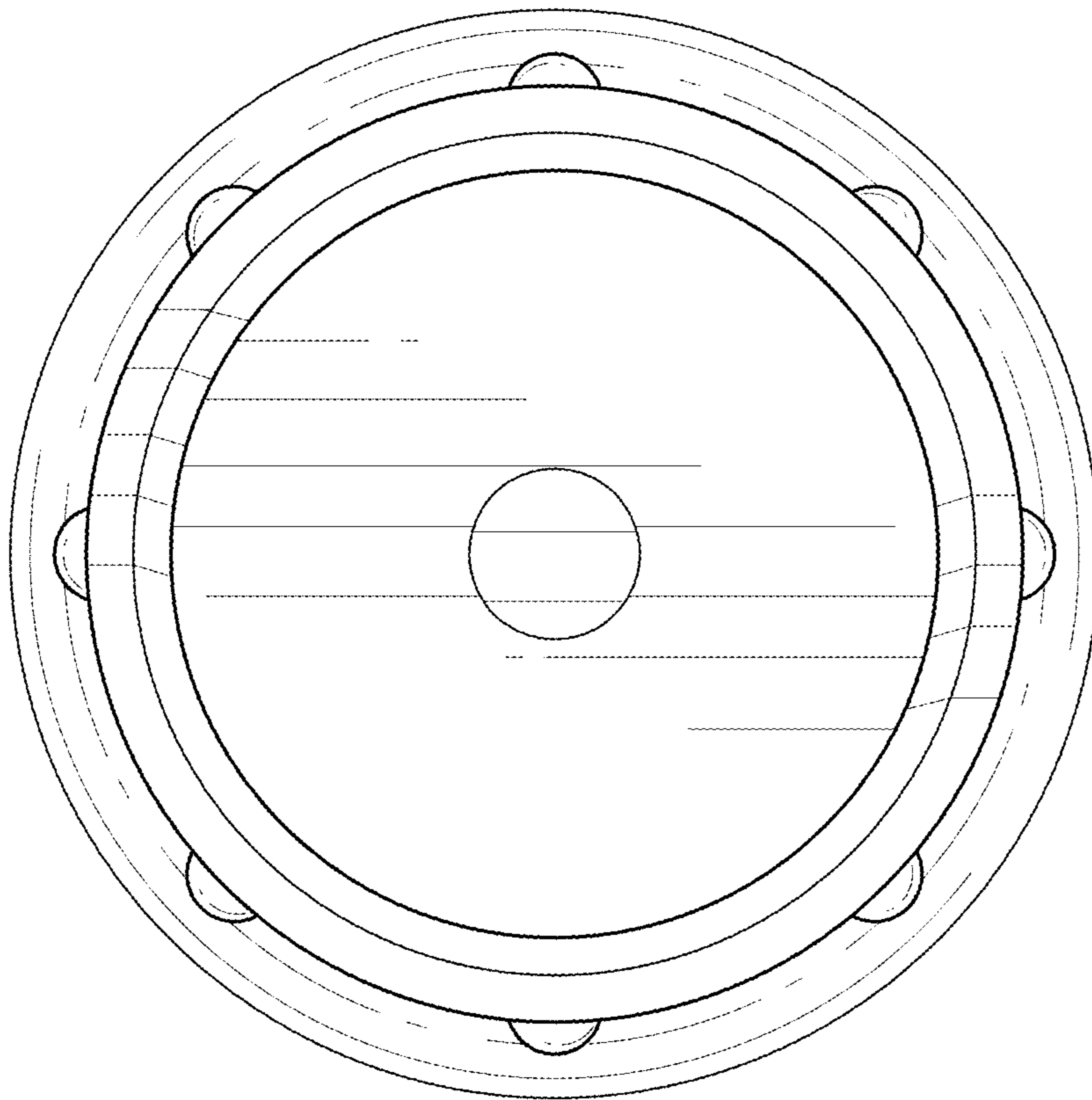


Fig-3

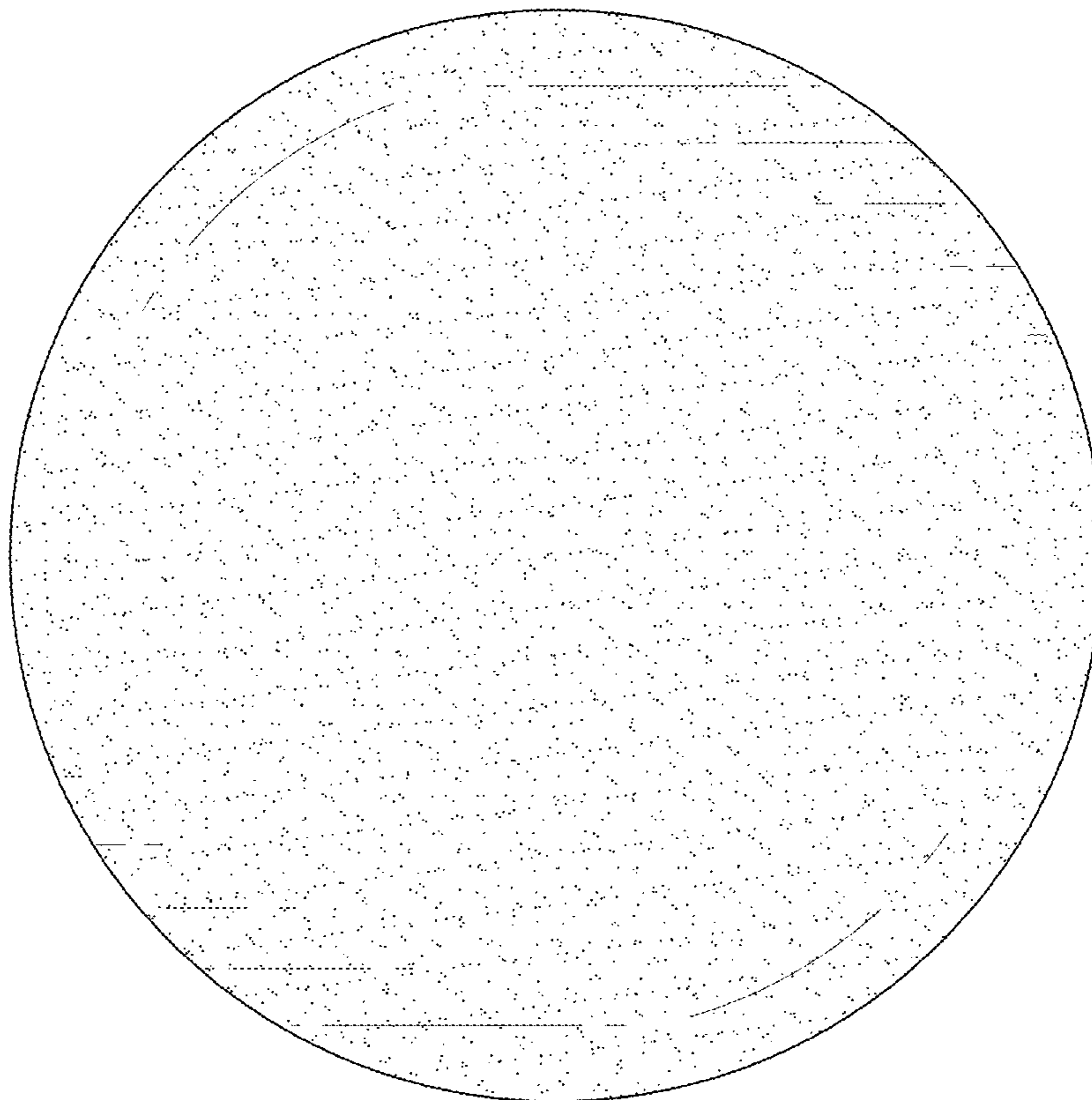


Fig-4