



US00D890597S

(12) **United States Design Patent**
Qi et al.

(10) **Patent No.:** **US D890,597 S**
(45) **Date of Patent:** **** Jul. 21, 2020**

(54) **PUMP BRACKET**

FOREIGN PATENT DOCUMENTS

(71) Applicant: **Dare Auto Inc.**, Plymouth, MI (US)

DE 102006017011 A1 10/2007

(72) Inventors: **Feng Qi**, Plymouth, MI (US); **Liang Yang**, Plymouth, MI (US); **Junfeng Men**, Plymouth, MI (US)

OTHER PUBLICATIONS

U.S. Appl. No. 15/827,915, filed Nov. 30, 2017.

(73) Assignee: **Dare Auto Inc.**, Plymouth, MI (US)

Primary Examiner — Keli L Hill

Assistant Examiner — Harold E Blackwell, II

(**) Term: **15 Years**

(74) *Attorney, Agent, or Firm* — Young Basile Hanlon & MacFarlane, P.C.

(21) Appl. No.: **29/586,008**

(57) **CLAIM**

The ornamental design for a pump bracket, as shown and described.

(22) Filed: **Nov. 30, 2016**

(51) **LOC (12) Cl.** **08-05**

DESCRIPTION

(52) **U.S. Cl.**
USPC **D8/354**

(58) **Field of Classification Search**
USPC D8/354; D12/223
CPC B60K 5/1208; F16F 7/00; B60R 19/24
See application file for complete search history.

(56) **References Cited**

U.S. PATENT DOCUMENTS

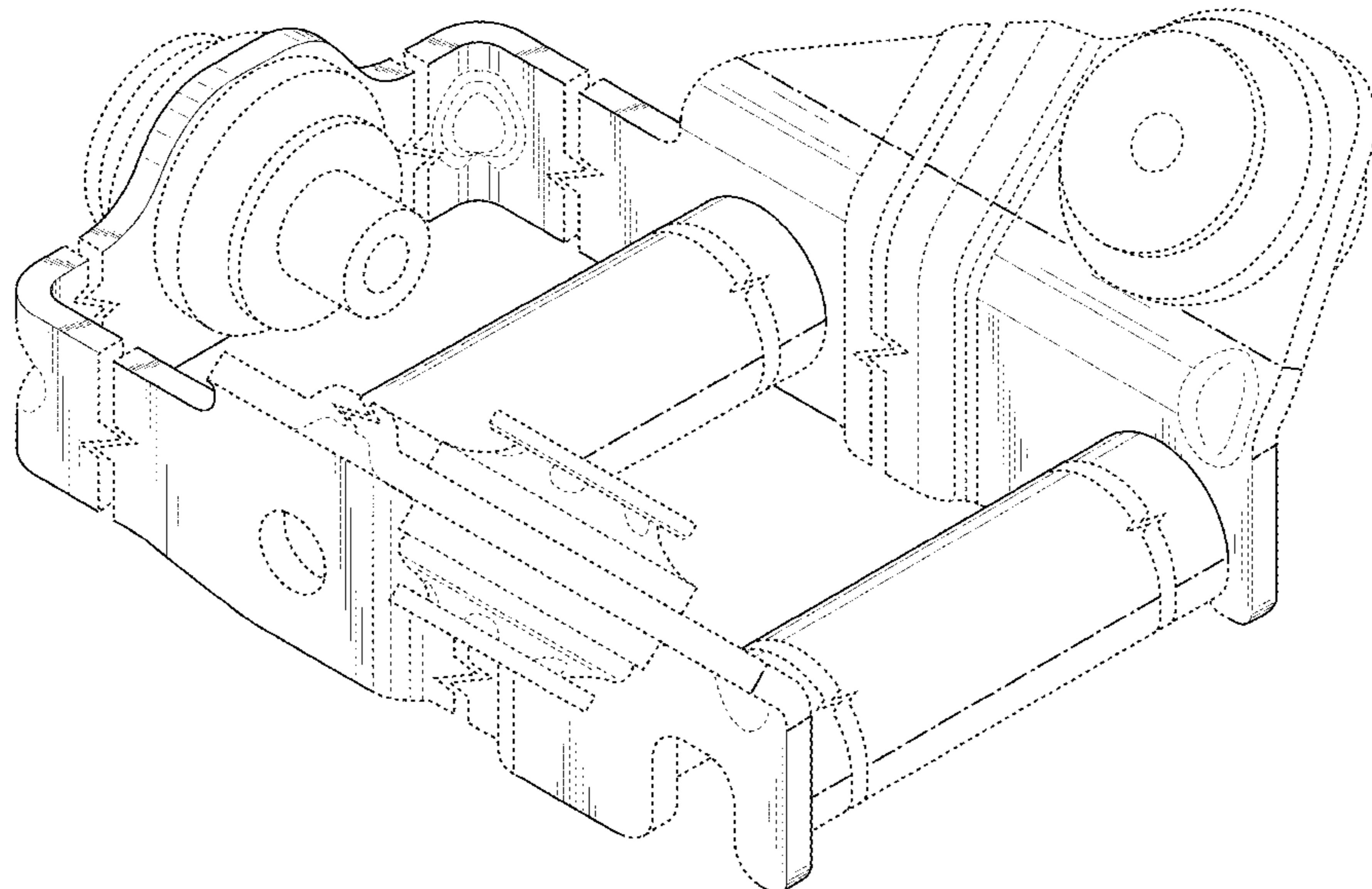
540,207 A	5/1895	Bucher	
2,787,065 A *	4/1957	Bock	E02F 3/84
			172/829
D191,772 S *	11/1961	Levacy	D8/396
D224,082 S *	7/1972	Kolstee, Sr.	D8/382
D244,083 S *	4/1977	Pfeiffer	D8/354
4,600,367 A	7/1986	Terauchi et al.	
4,810,174 A	3/1989	Stuckey et al.	
5,030,067 A	7/1991	Ushiota et al.	
D371,293 S *	7/1996	Schoenmeyr	D8/354
5,799,923 A *	9/1998	Carr	F16F 7/00
			248/635
6,135,726 A	10/2000	Robertson et al.	
6,349,918 B1 *	2/2002	Bunker	B60K 5/1208
			248/635

FIG. 1 is an upper, left, rear perspective view of a pump bracket according to the claimed design.
FIG. 2 is a top plan view of the claimed design of FIG. 1.
FIG. 3 is a bottom plan view of the claimed design of FIG. 1.
FIG. 4 is a left elevation view of the claimed design of FIG. 1.
FIG. 5 is a right elevation view of the claimed design of FIG. 1.
FIG. 6 is a front elevation view of the claimed design of FIG. 1; and,
FIG. 7 is a rear elevation view of the claimed design of FIG. 1.

The broken lines formed by equal length dashes (dash-dash lines) represent unclaimed portions of the pump bracket and form no part of the claimed design. The broken lines formed by unequal length dashes (dash-dot lines) define bounds of the claimed subject matter and form no part of the claimed design. Break lines having a jagged element form no part of the claimed design and show that no particular length of the portion is claimed. The appearance of any portion between the break lines form no part of the claimed design.

(Continued)

1 Claim, 5 Drawing Sheets



(56)

References Cited

U.S. PATENT DOCUMENTS

D601,411 S * 10/2009 Barkdoll D8/395
8,152,128 B2 * 4/2012 Asplund F04D 29/669
248/346.01
8,863,648 B2 * 10/2014 Mori A47J 31/468
99/275

* cited by examiner

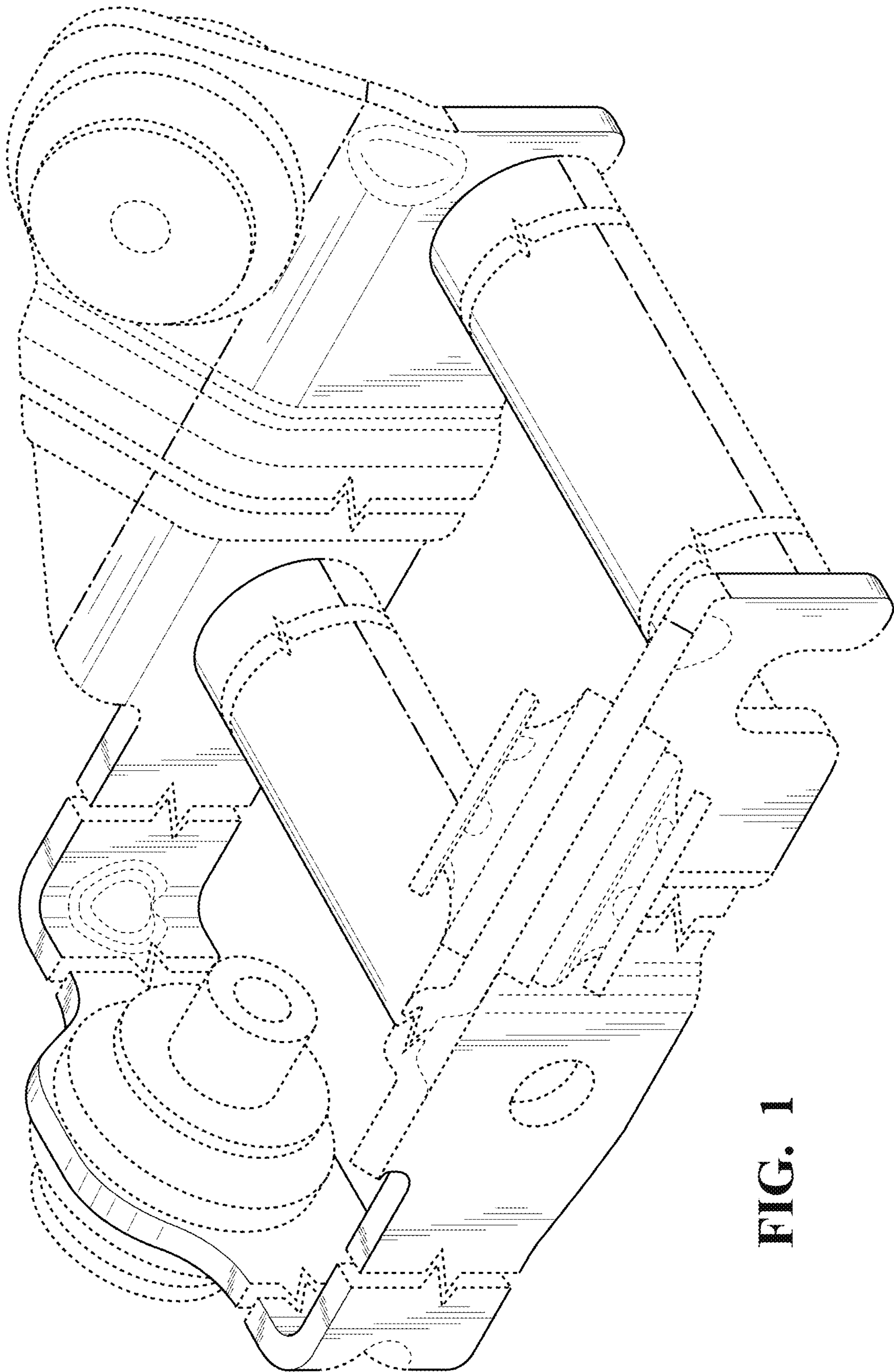


FIG. 1

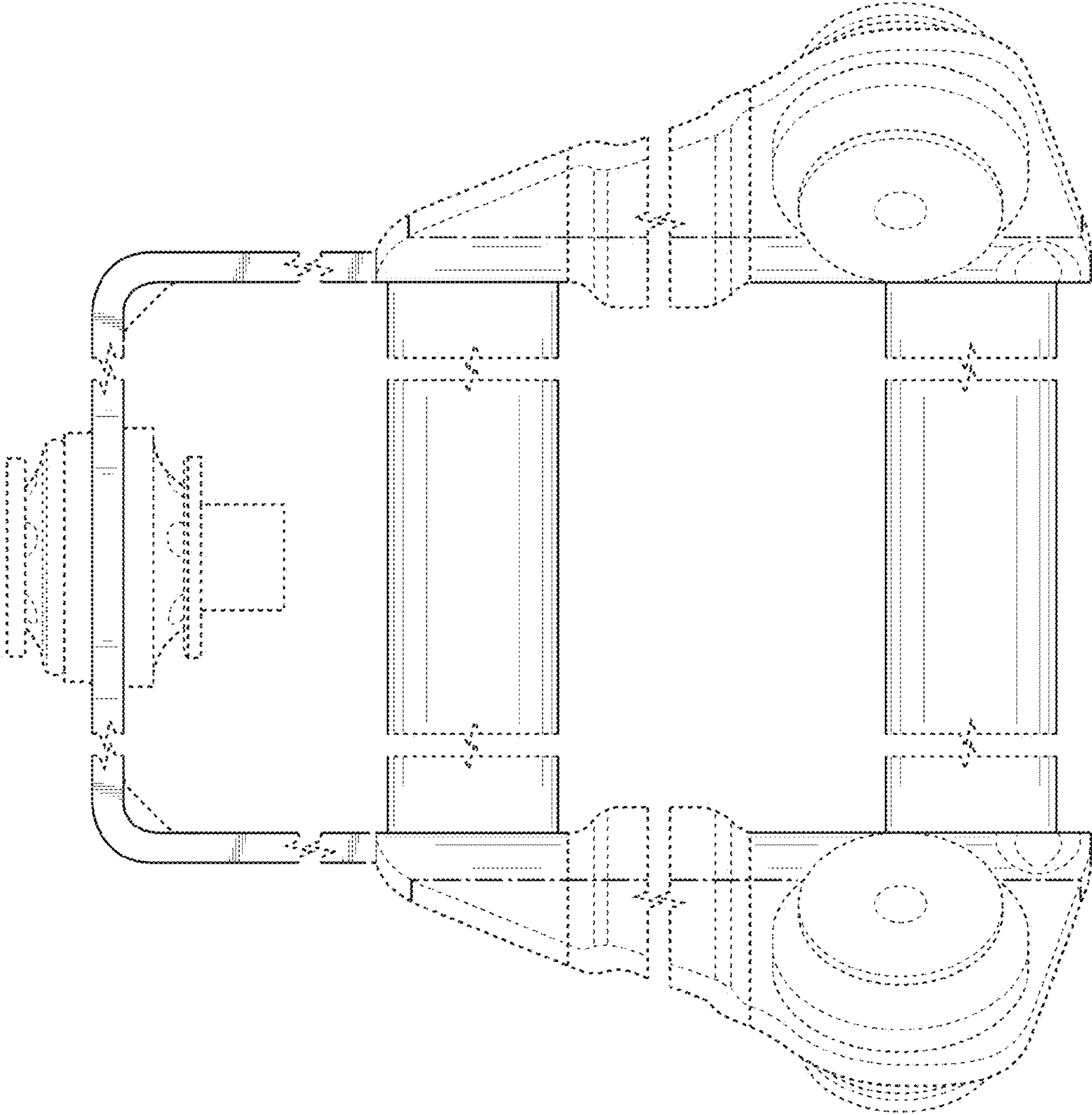


FIG. 2

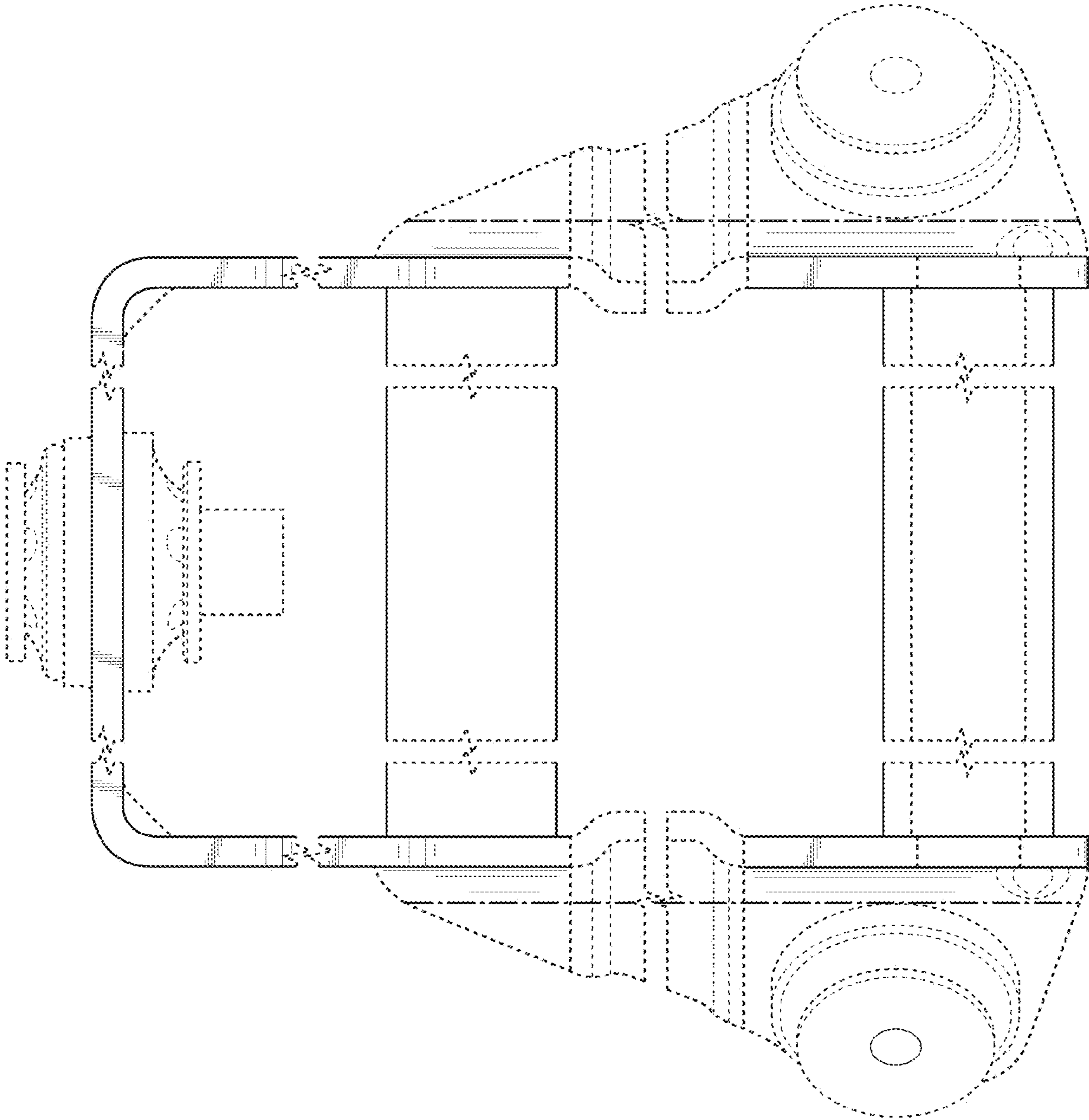


FIG. 3

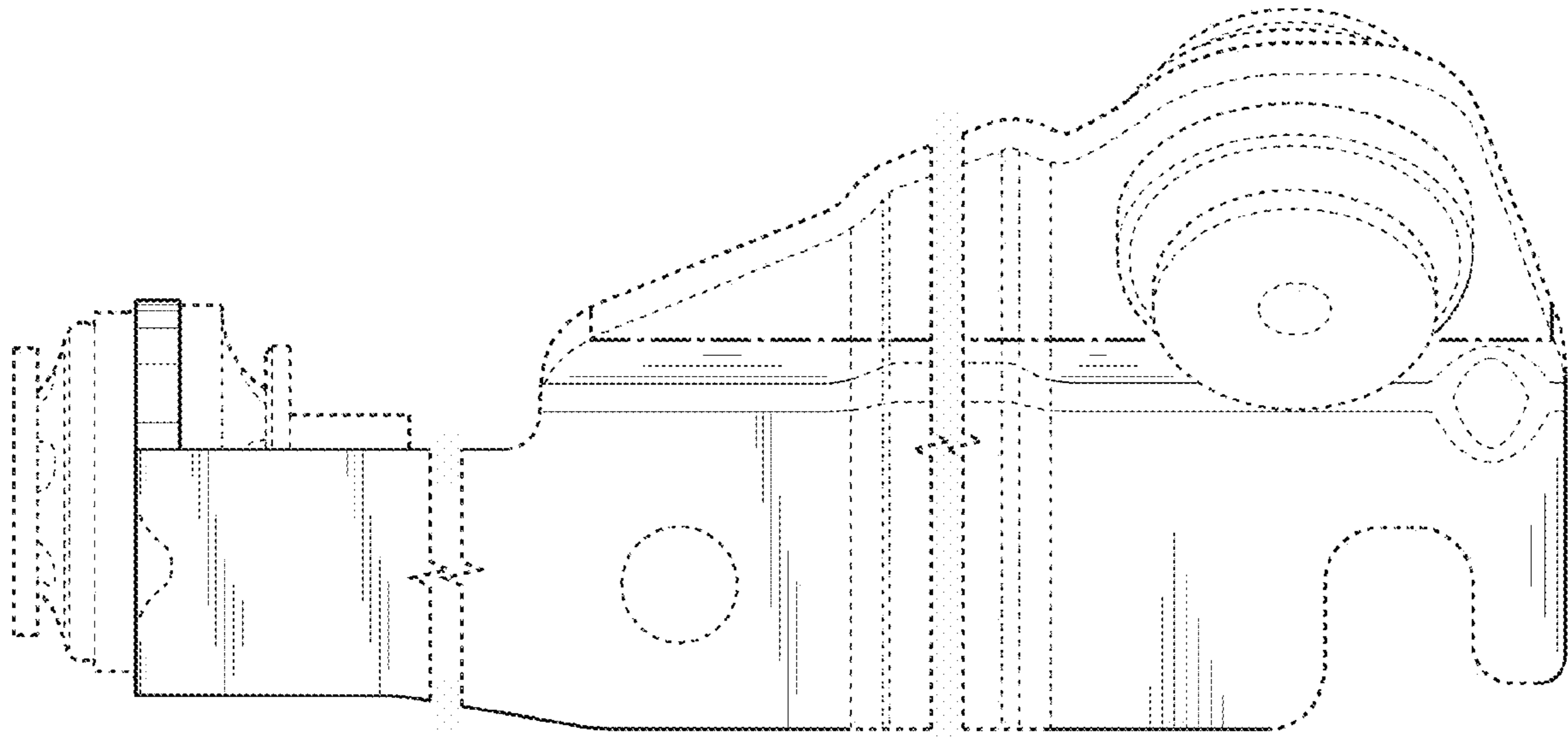


FIG. 4

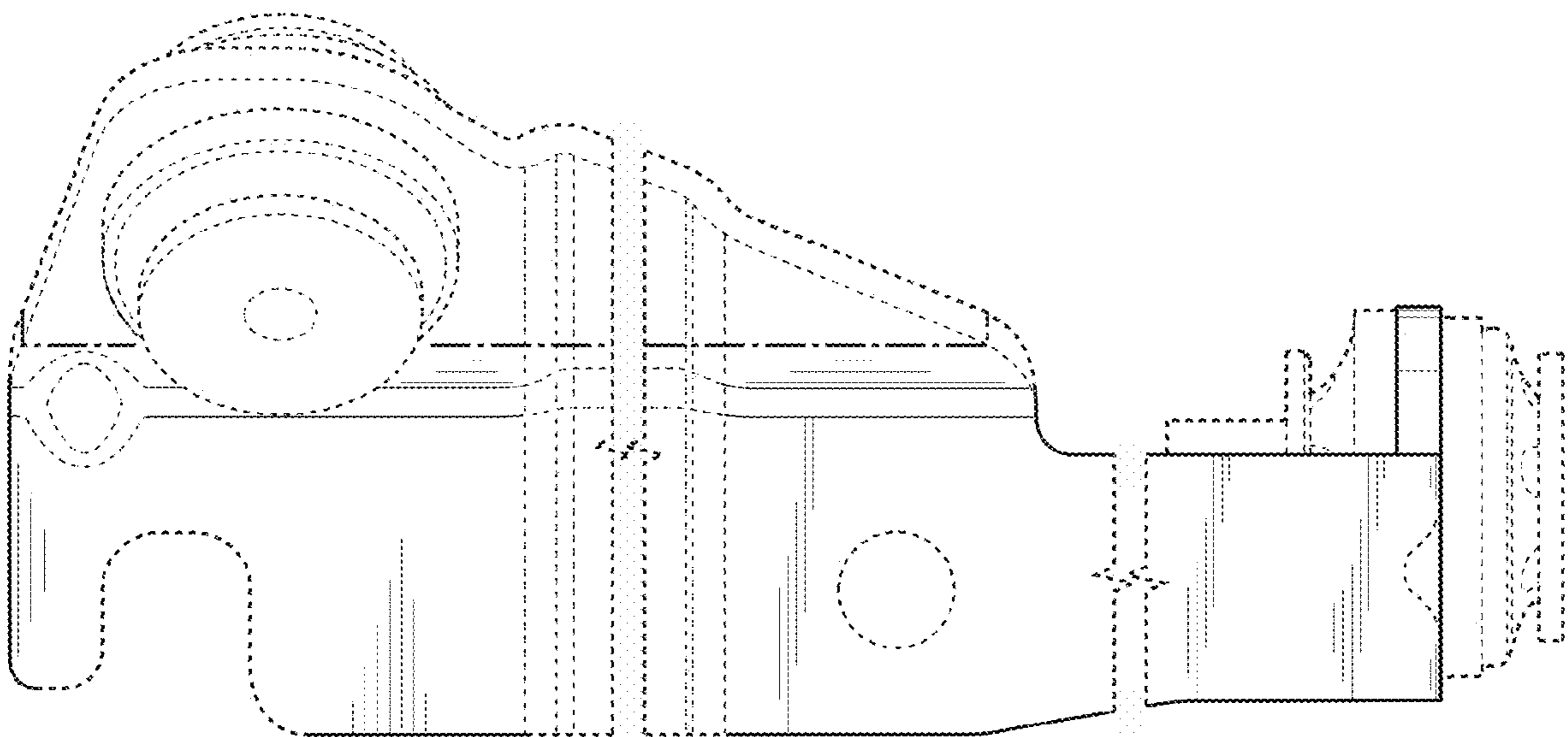


FIG. 5

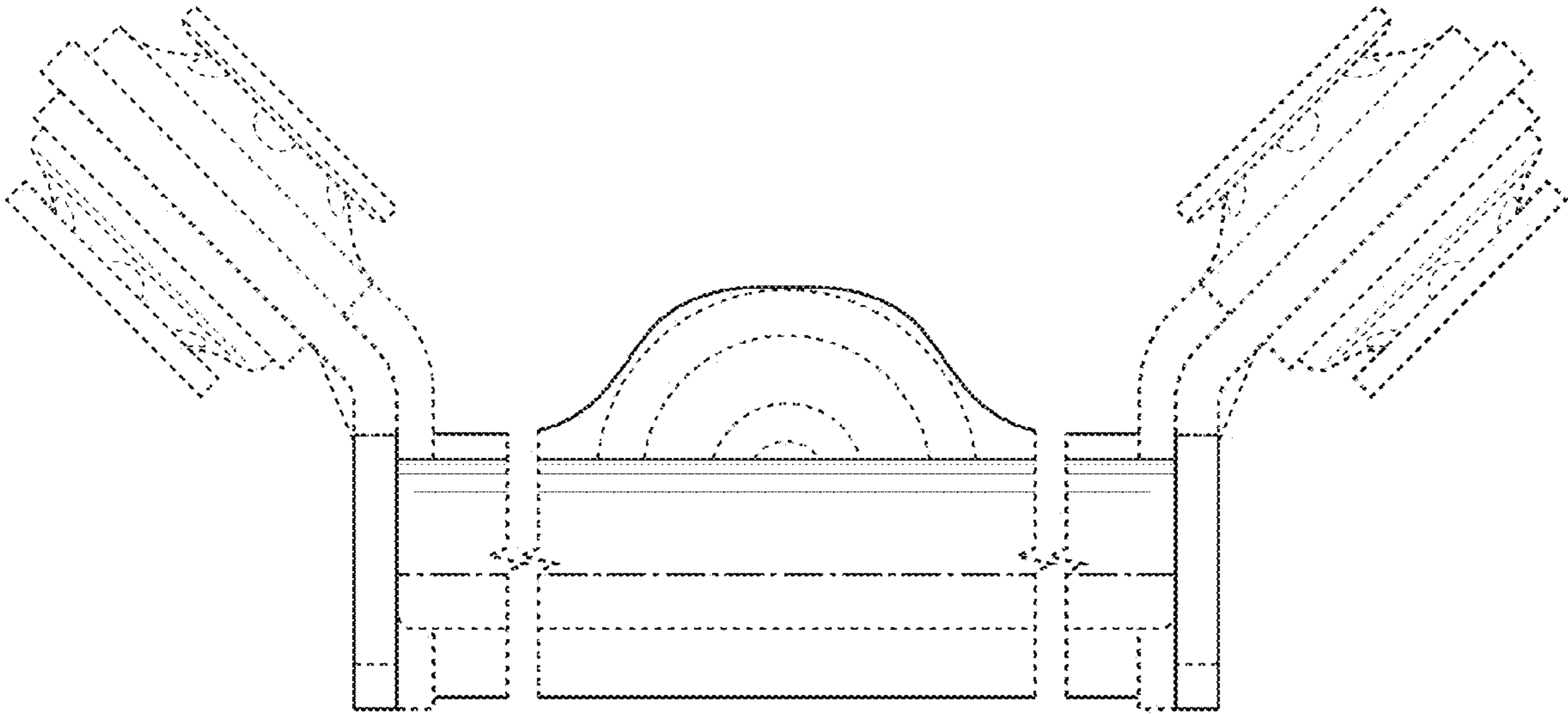


FIG. 6

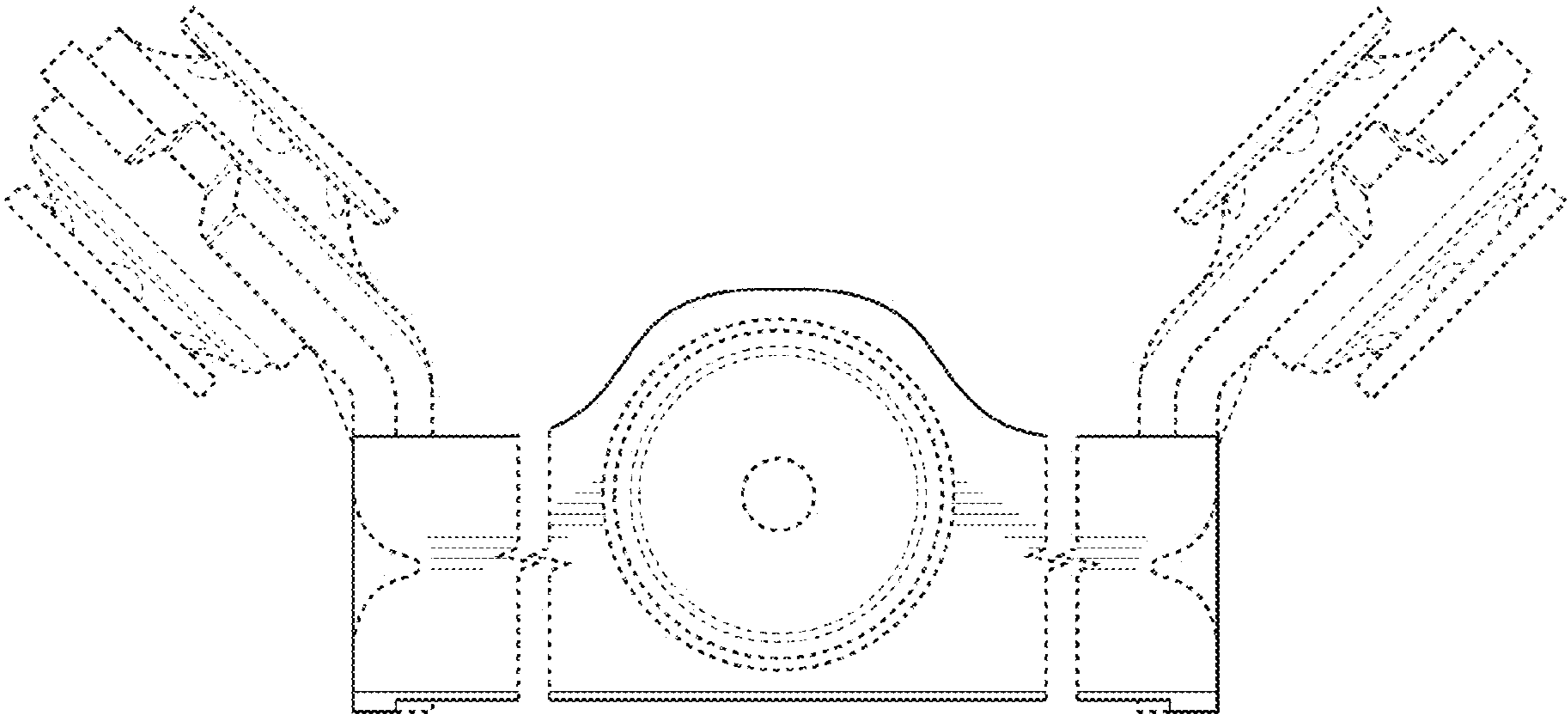


FIG. 7