



US00D890596S

(12) **United States Design Patent**
Piggott

(10) **Patent No.:** **US D890,596 S**

(45) **Date of Patent:** **** Jul. 21, 2020**

- (54) **REFRIGERATOR DOOR LOCK**
- (71) Applicant: **Brian Piggott**, Perth (AT)
- (72) Inventor: **Brian Piggott**, Perth (AT)
- (**) Term: **15 Years**
- (21) Appl. No.: **29/671,800**
- (22) Filed: **Nov. 29, 2018**
- (51) **LOC (12) Cl.** **08-07**
- (52) **U.S. Cl.**
USPC **D8/331**
- (58) **Field of Classification Search**
USPC D8/330, 331, 336, 338, 339, 341, 342,
D8/343
CPC Y10T 24/31; Y10T 24/314; Y10T 70/40;
Y10T 70/435; Y10T 70/437; Y10T
70/5093; Y10T 70/5097; Y10T 70/5124;
Y10T 70/5155; Y10T 70/5199; Y10T
70/5208
See application file for complete search history.

(56) **References Cited**

U.S. PATENT DOCUMENTS

- 2,608,711 A * 9/1952 Moore E05C 17/36
16/82
- 3,059,952 A * 10/1962 Wittman E05C 19/18
292/288
- 3,836,187 A * 9/1974 Buettner E05C 7/00
292/262
- 4,003,227 A * 1/1977 Casey E05B 13/002
70/14
- D256,551 S * 8/1980 Webb 292/264
- D289,793 S * 5/1987 Blake D23/309
- D295,606 S * 5/1988 Ault D8/330
- 5,114,193 A * 5/1992 Nass E05C 3/047
292/67
- D334,131 S * 3/1993 Spaulding D8/331
- D344,442 S * 2/1994 Myers D8/341

- 5,328,434 A * 7/1994 Carroll A63B 23/0211
482/140
- D351,985 S * 11/1994 Victor D8/331
- 5,387,018 A * 2/1995 Pinkerton E05B 15/1607
292/106
- D375,891 S * 11/1996 Bailey D8/382
- 5,806,816 A * 9/1998 Hull B60N 3/00
224/568
- 5,810,404 A * 9/1998 Horne E05C 19/182
292/288
- 5,908,213 A * 6/1999 Tippetts E05C 19/184
292/246
- 5,956,834 A * 9/1999 Sardo B60R 13/0212
24/298
- D421,556 S * 3/2000 Smith D8/14
- 6,913,412 B1 * 7/2005 Byers A47K 3/001
16/82
- D580,257 S * 11/2008 Squyres D8/349
- D625,579 S * 10/2010 Lee D8/349

(Continued)

Primary Examiner — Steven J Czyz

(74) *Attorney, Agent, or Firm* — Donn K. Harms

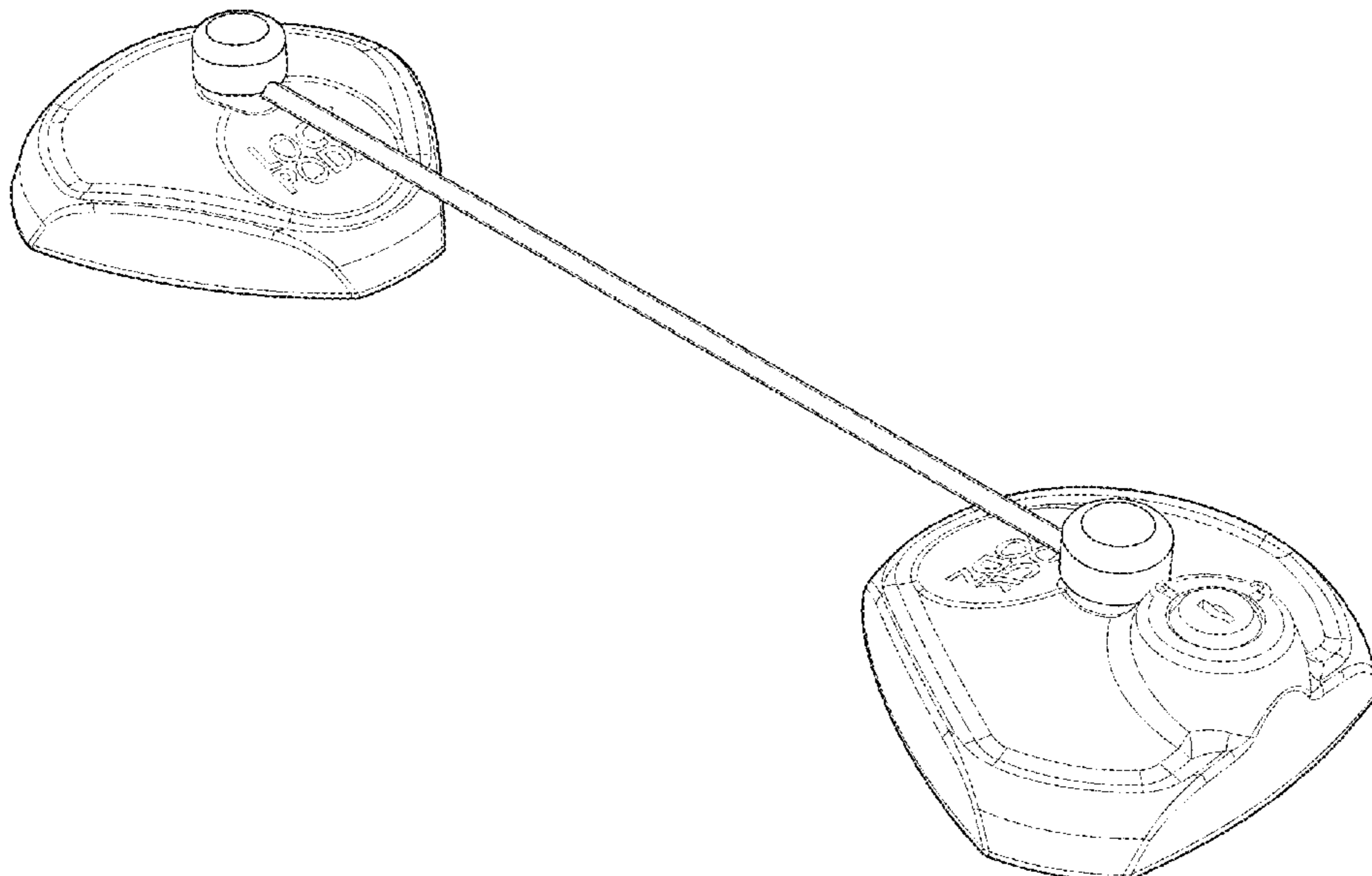
(57) **CLAIM**

The ornamental design for a refrigerator door lock, as shown and described.

DESCRIPTION

FIG. 1 is a front perspective view of a refrigerator door lock showing my new design;
 FIG. 2 is a first side elevational view thereof;
 FIG. 3 is a second side elevational view thereof opposite the view of FIG. 2;
 FIG. 4 is a front elevational view thereof;
 FIG. 5 is a rear elevational view opposite the view of FIG. 4;
 FIG. 6 is a top elevational view thereof; and,
 FIG. 7 is a bottom elevational view thereof opposite the view of FIG. 6.

1 Claim, 3 Drawing Sheets



(56)

References Cited

U.S. PATENT DOCUMENTS

8,342,575 B2 * 1/2013 Coleman A63C 5/16
24/298
9,341,002 B2 * 5/2016 Kongshammer E05B 65/48
D780,554 S * 3/2017 Marsden D8/330
D792,129 S * 7/2017 Best D6/624
D803,026 S * 11/2017 Herskovitz D8/331
9,957,735 B2 * 5/2018 Jaworski F16B 2/10
D836,419 S * 12/2018 Marsden D8/336
10,190,345 B2 * 1/2019 McCullough E05C 19/188
2013/0075554 A1 * 3/2013 Tsai F16B 47/00
248/205.9
2013/0075570 A1 * 3/2013 Tsai F16B 47/00
248/363

* cited by examiner

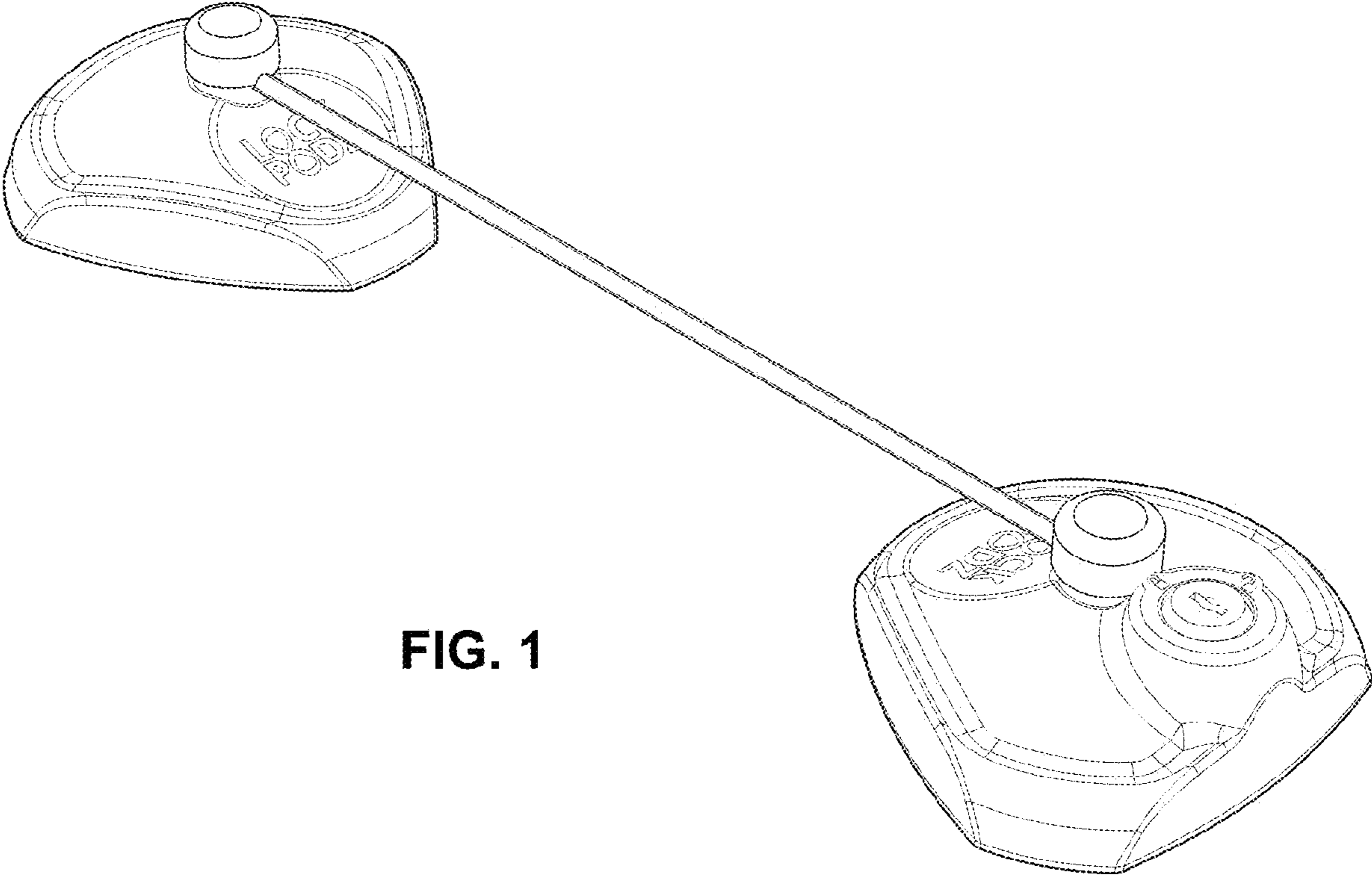


FIG. 1

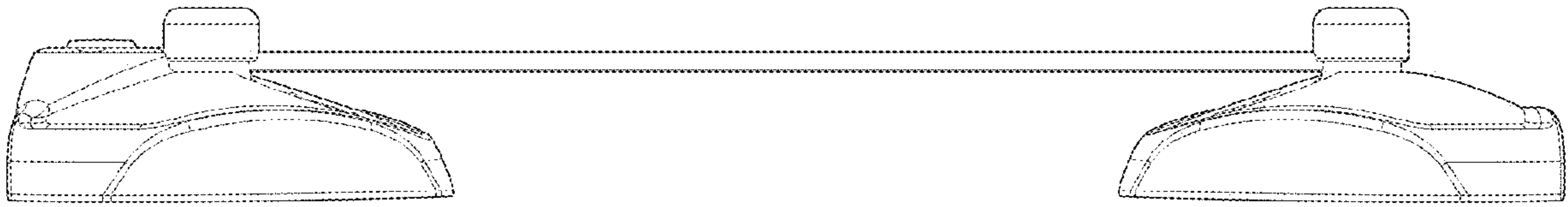


FIG. 2

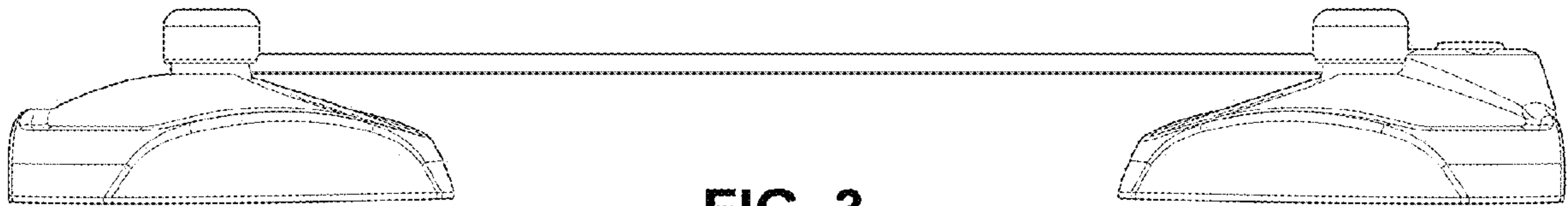


FIG. 3

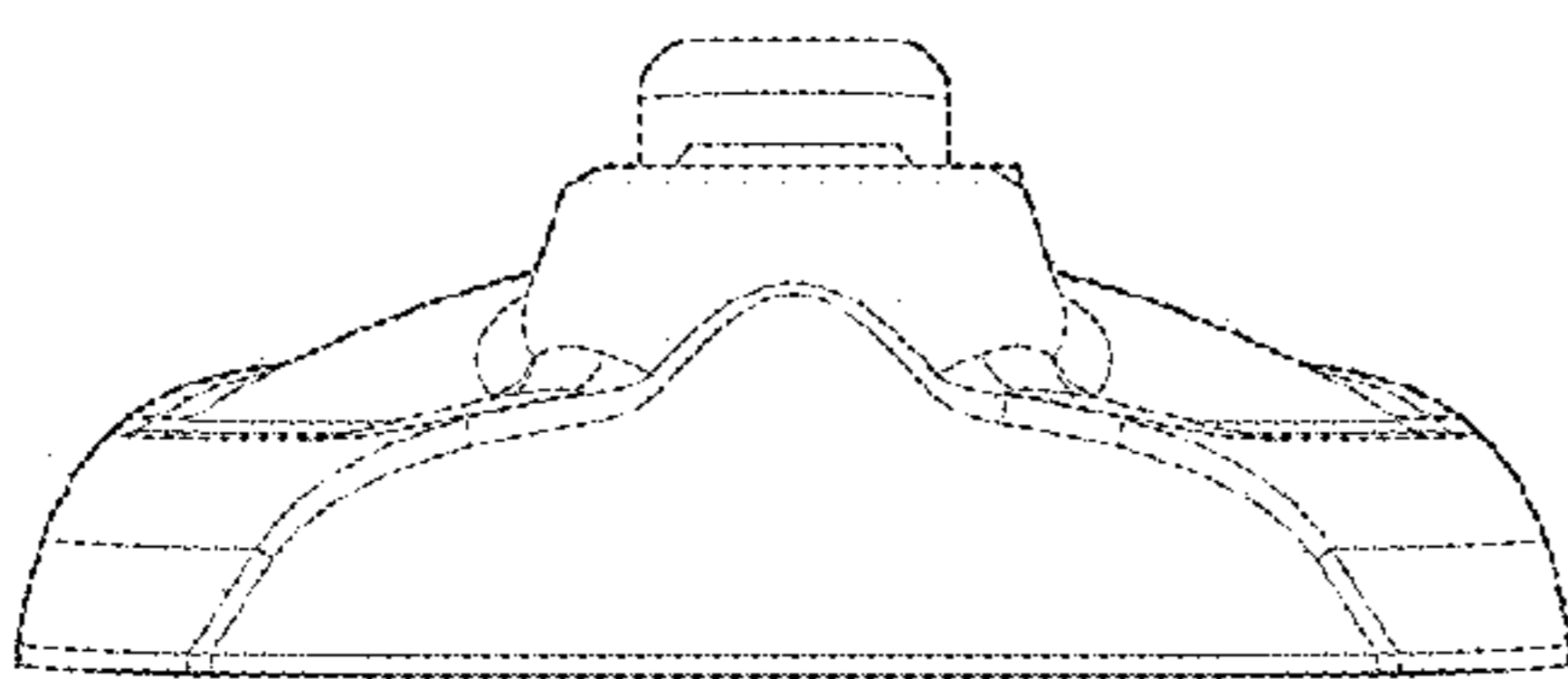


FIG. 4

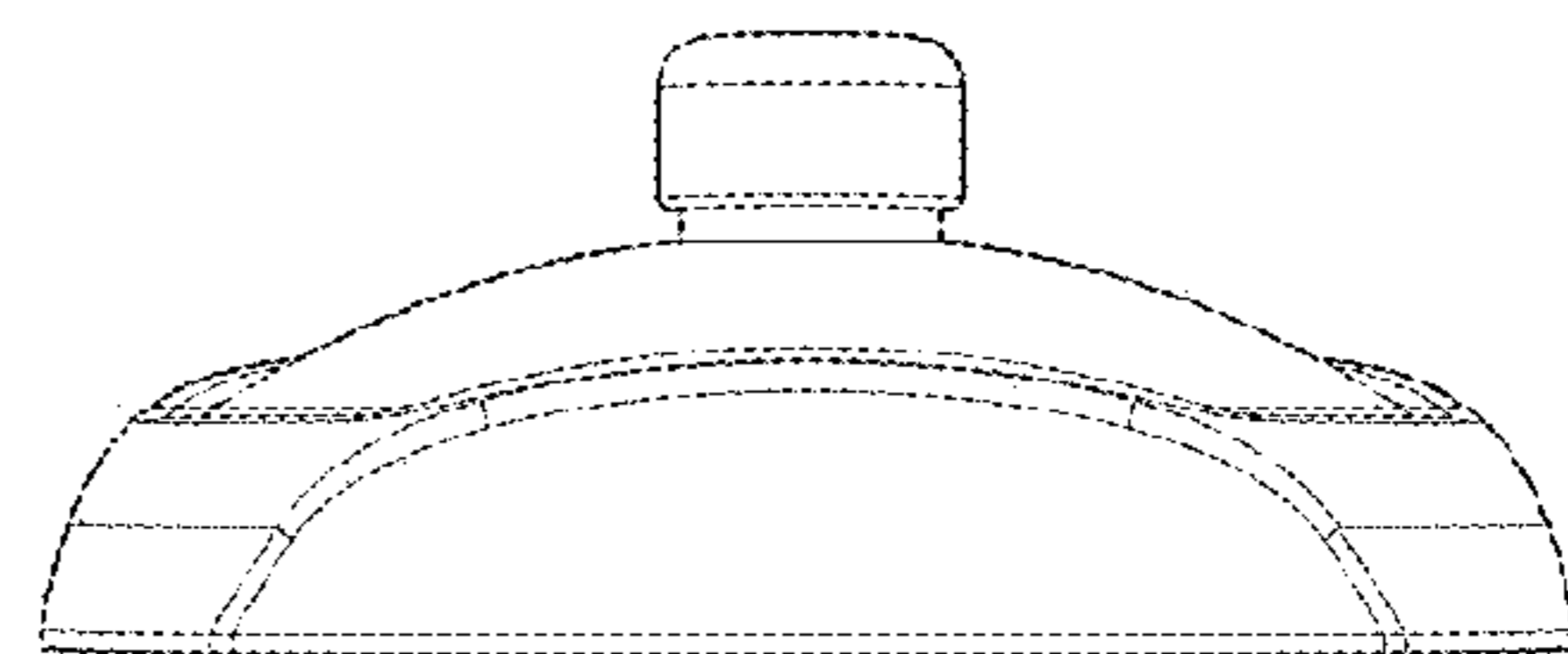


FIG. 5

