



US00D890595S

(12) **United States Design Patent**
Alarcon

(10) **Patent No.:** **US D890,595 S**

(45) **Date of Patent:** **** Jul. 21, 2020**

(54) **GATE HINGE**

(71) Applicant: **Richard Alarcon**, Lakewood, CA (US)

(72) Inventor: **Richard Alarcon**, Lakewood, CA (US)

(**) Term: **15 Years**

(21) Appl. No.: **29/634,535**

(22) Filed: **Jan. 23, 2018**

(51) **LOC (12) Cl.** **08-06**

(52) **U.S. Cl.**
USPC **D8/323**

(58) **Field of Classification Search**
USPC D8/323
CPC .. E05D 1/00; E05D 11/06; E05D 5/11; E05D
3/02; A47K 13/12
See application file for complete search history.

(56) **References Cited**

U.S. PATENT DOCUMENTS

D140,298 S *	2/1945	Wilson	D8/323
D222,234 S *	10/1971	Imber	D8/323
4,382,312 A *	5/1983	Liggett	E05D 3/06 16/288
D335,622 S *	5/1993	Millsap	D8/323
6,134,751 A *	10/2000	Carrier	E05D 15/44 16/235
D458,626 S *	6/2002	Desbiez-Piat	D16/334
D500,660 S *	1/2005	Larner	D8/323
7,100,245 B2 *	9/2006	Wohlfarth	E05D 3/10 16/367
D624,388 S *	9/2010	Eland	D8/323
8,225,460 B2 *	7/2012	Hooton	E05D 3/10 16/309
D683,609 S *	6/2013	Frank	D8/323
D715,620 S *	10/2014	Tung	D8/323
D717,633 S *	11/2014	Lu	D8/323
D717,634 S *	11/2014	Lu	D8/323
D719,434 S *	12/2014	Lu	D8/323
D719,810 S *	12/2014	Lu	D8/323

D744,313 S *	12/2015	Lu	D8/323
D744,808 S *	12/2015	Lu	D8/323
D744,809 S *	12/2015	Lu	D8/323
D758,164 S *	6/2016	Lu	D8/323
D784,795 S *	4/2017	Ravaioli	D8/355
D804,276 S *	12/2017	Lu	D8/323
D804,277 S *	12/2017	Lu	D8/323
2016/0040463 A1 *	2/2016	Gramstad	E05D 5/128 16/382
2016/0040464 A1 *	2/2016	Lu	A47C 7/38 16/250
2019/0000285 A1 *	1/2019	Xu	A47K 13/12

* cited by examiner

Primary Examiner — Cynthia R Underwood
(74) *Attorney, Agent, or Firm* — Grant's Lawfirm; Allan Grant

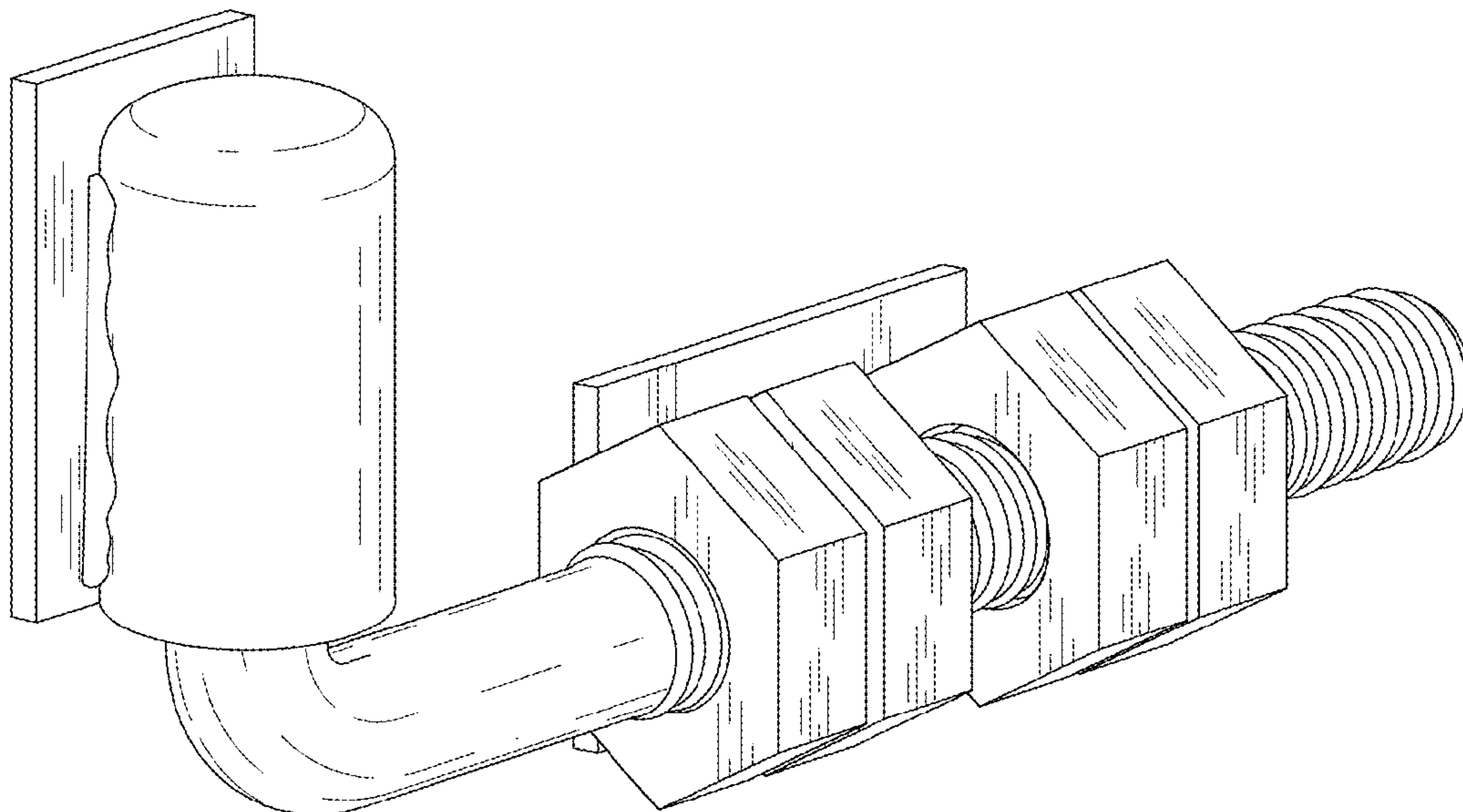
(57) **CLAIM**

I claim the ornamental design for a gate hinge, as shown and as described.

DESCRIPTION

FIG. 1 is a perspective view of the gate hinge.
FIG. 2 is the front view of the gate hinge.
FIG. 3 is a back view of the gate hinge.
FIG. 4 is a side view of the gate hinge.
FIG. 5 is the other side view of the gate hinge.
FIG. 6 is a top view of the gate hinge.
FIG. 7 is bottom view of the gate hinge.
FIG. 8 is a perspective view of the gate hinge shown reduced in scale;
FIG. 9 is a reduced in scale perspective view of an alternative configuration of use of the gate hinge, showing marker lines where the FIG. 10 was taken from; and,
FIG. 10 is an enlarged view of the gate hinge shown within the marker in FIG. 9 thereof.
The broken lines represent an environment of use for the gate hinge and form no part of the claim.

1 Claim, 6 Drawing Sheets



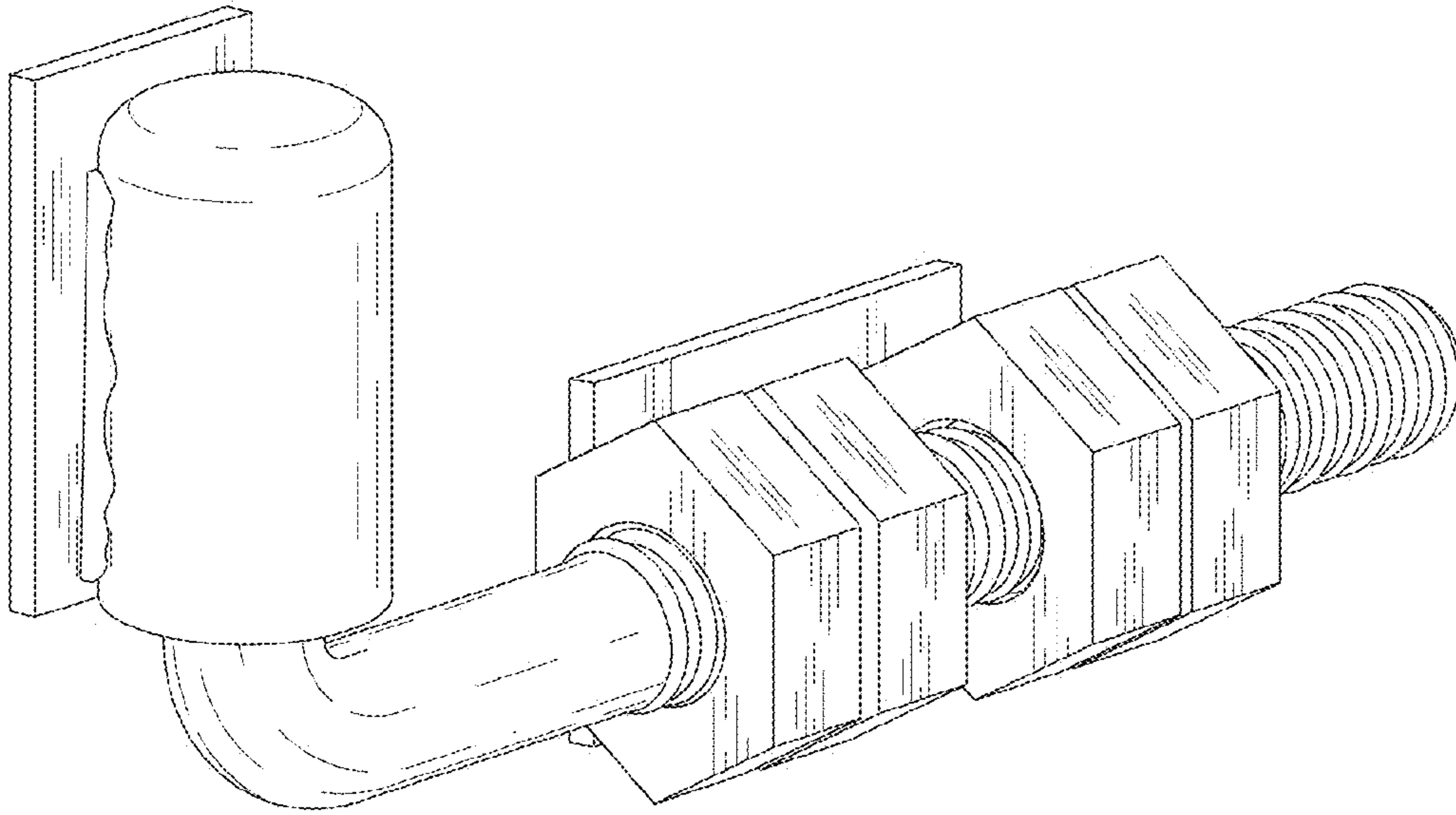


Fig. 1

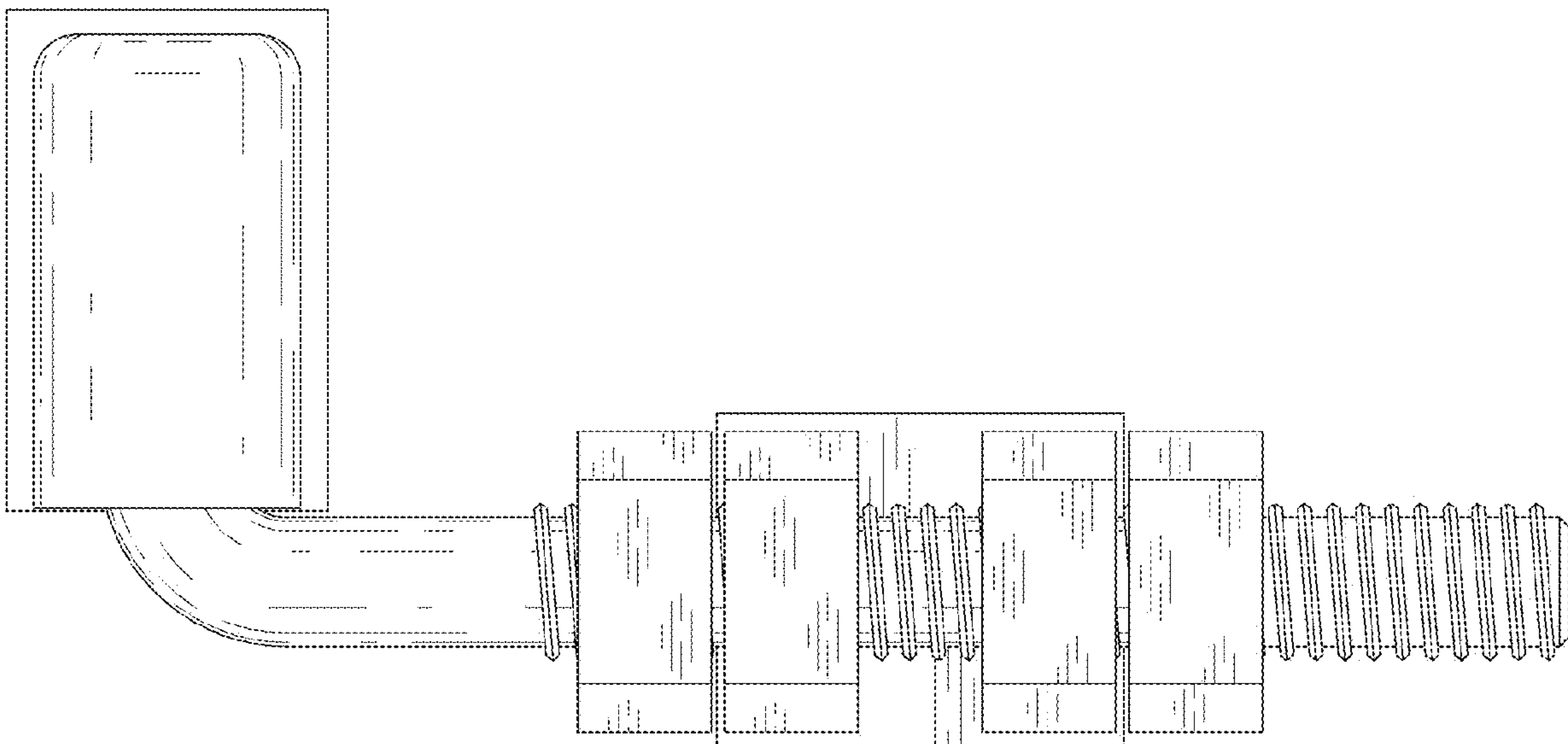


Fig. 2

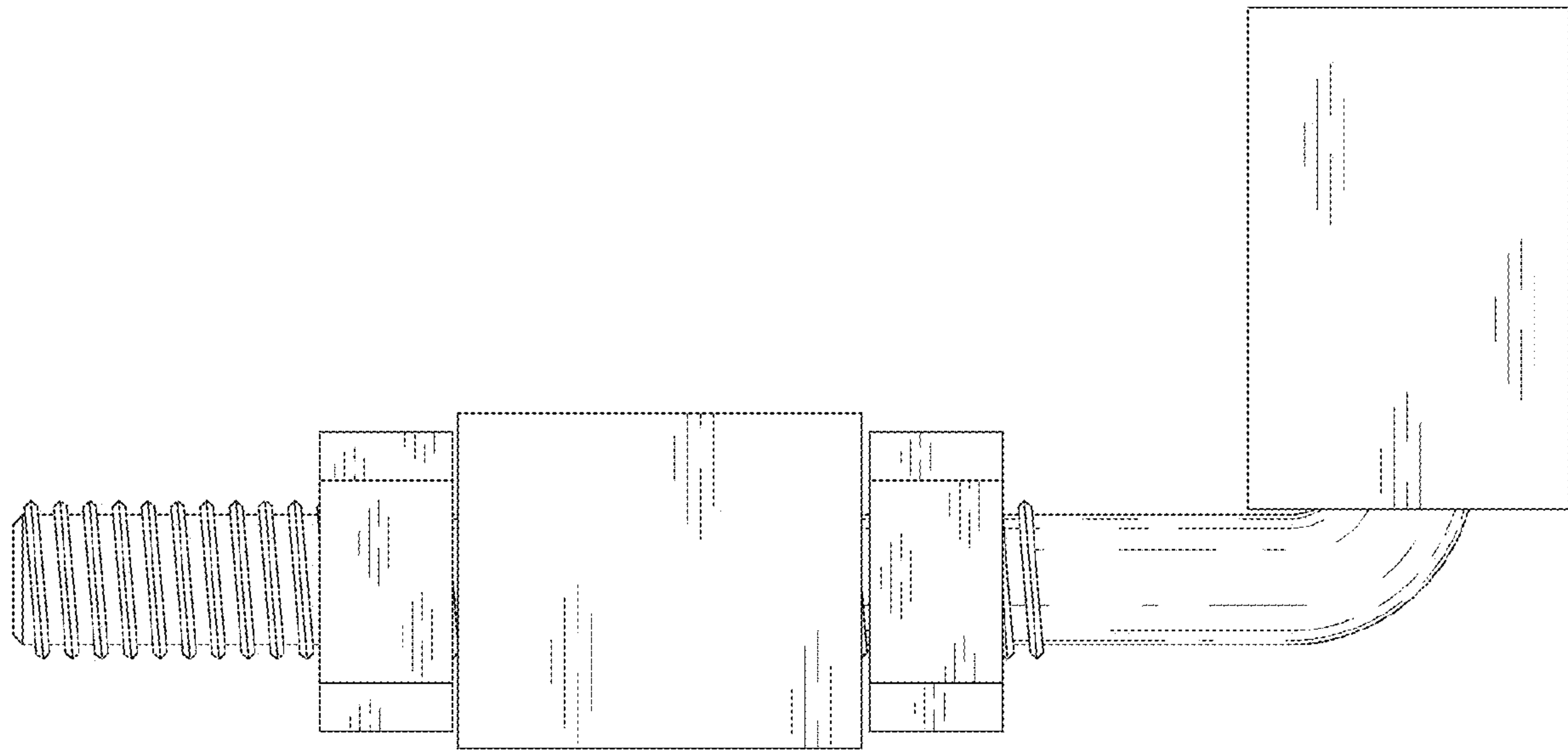


Fig. 3

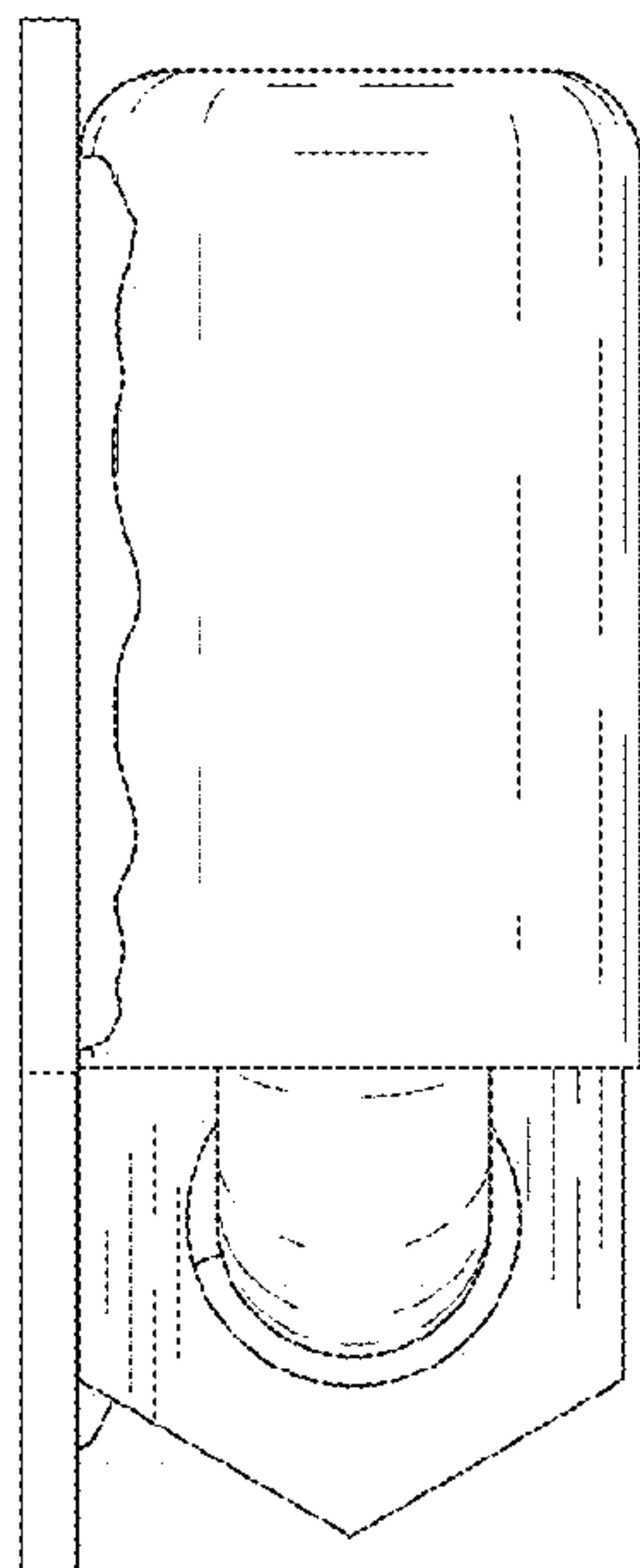


Fig. 4

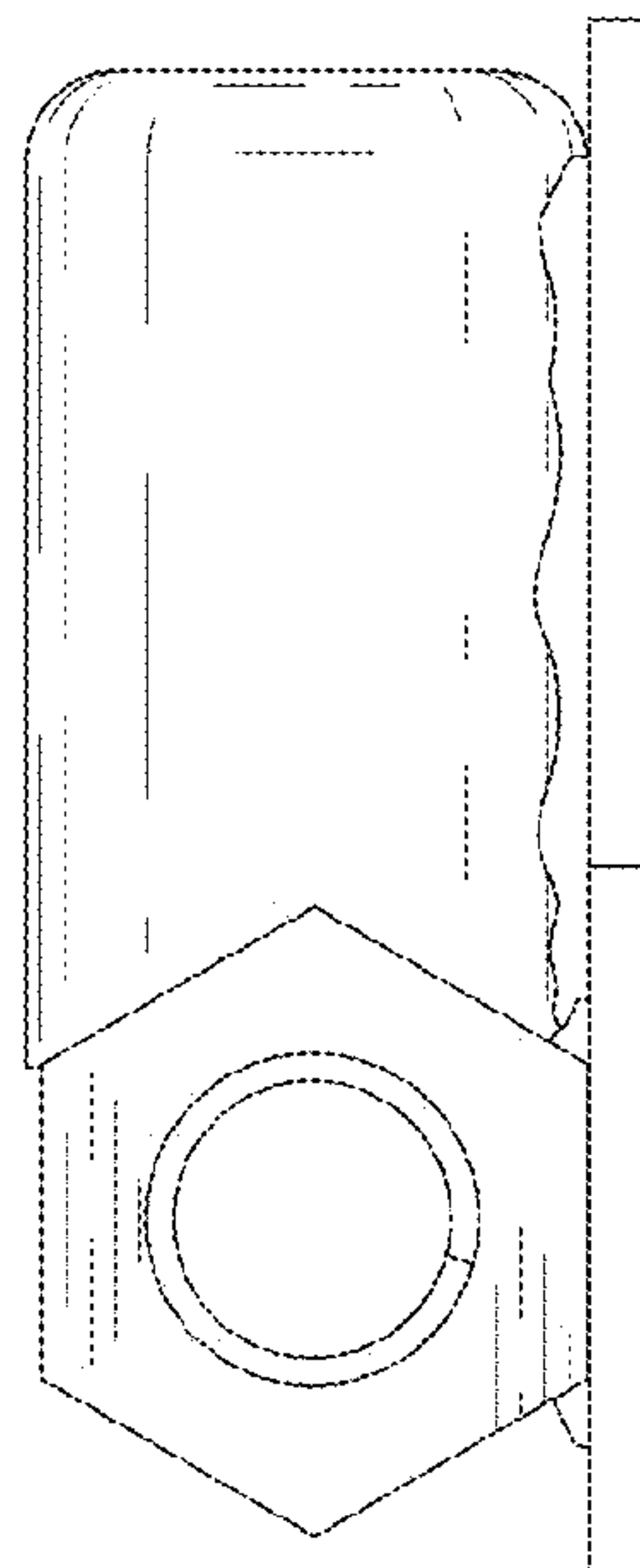


Fig. 5

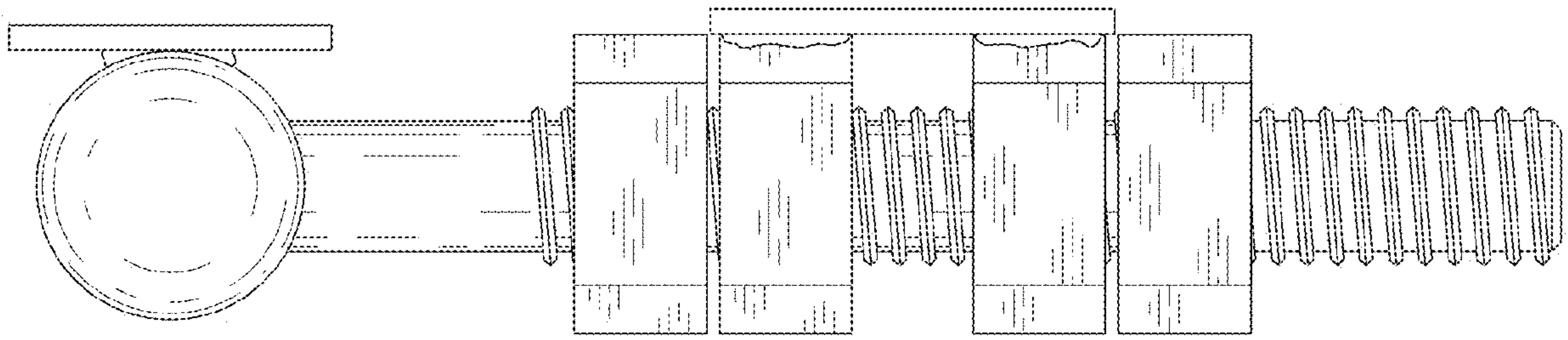


Fig. 6

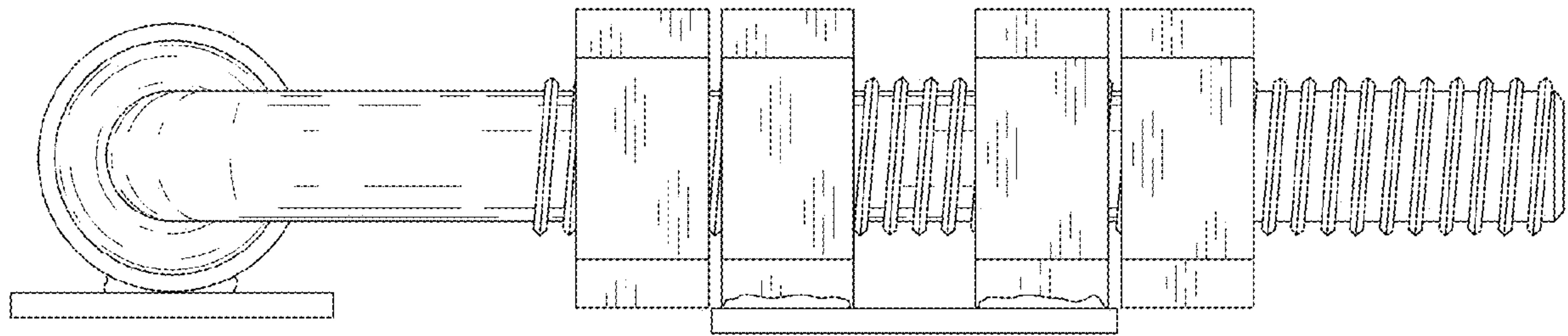


Fig. 7

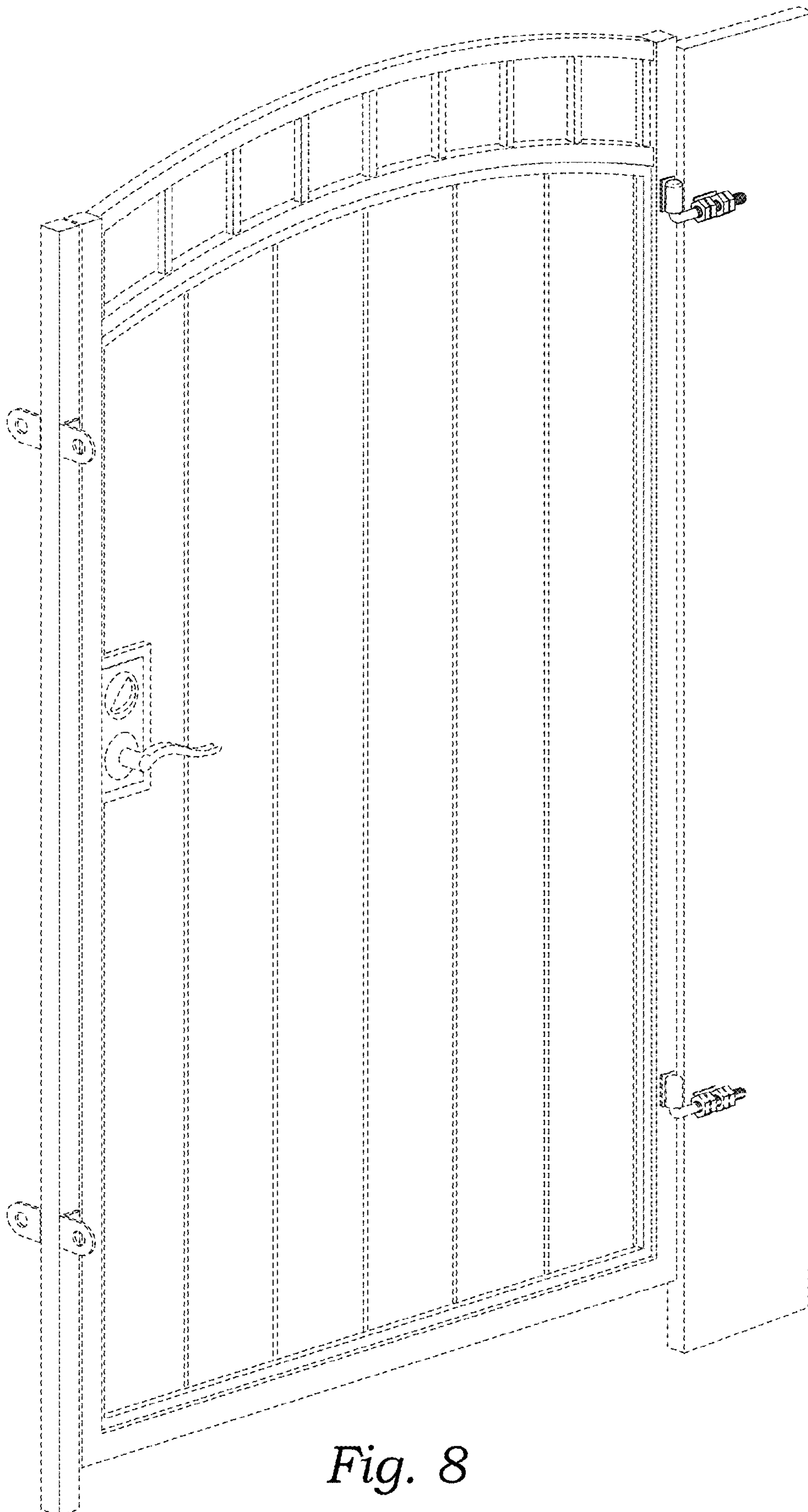


Fig. 8

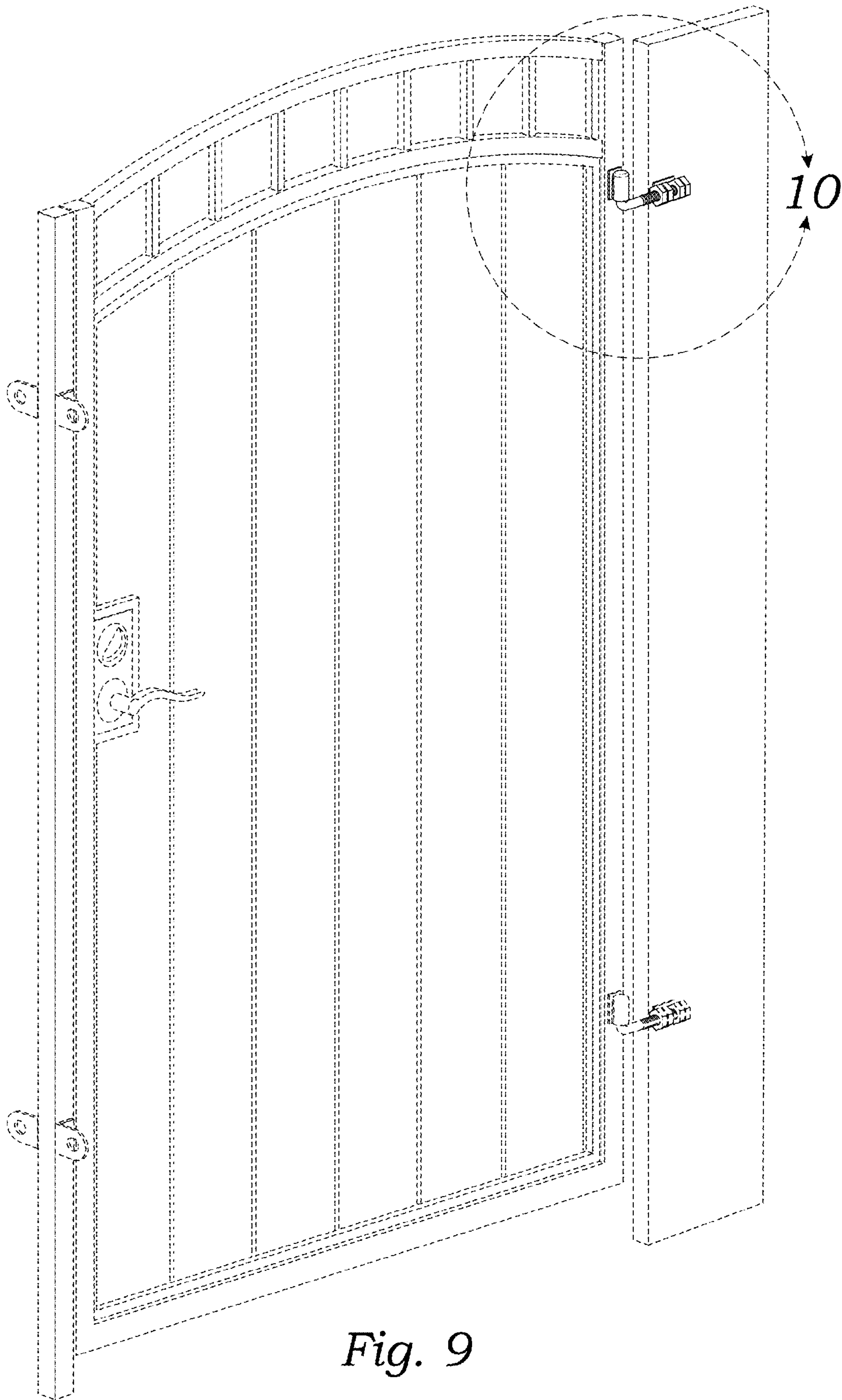


Fig. 9

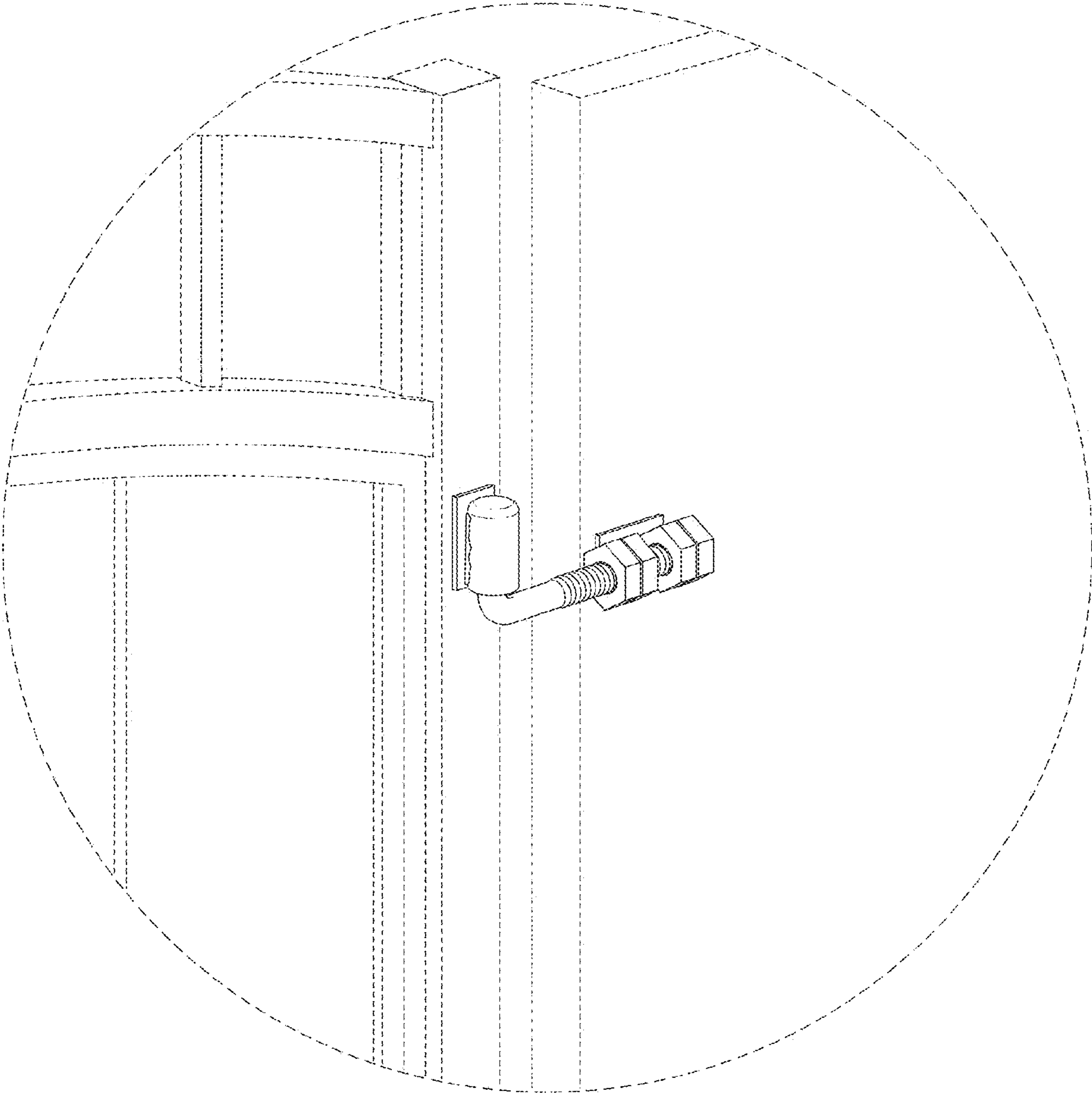


Fig. 10