



US00D890594S

(12) **United States Design Patent** (10) **Patent No.:** **US D890,594 S**
Gao (45) **Date of Patent:** **** Jul. 21, 2020**

- (54) **PRESSURE REGULATING KNOB**
- (71) Applicant: **Jiangsu Ecady Machinery Industry Group Co., Ltd., Kunshan (CN)**
- (72) Inventor: **Heping Gao, Wenling (CN)**
- (73) Assignee: **Jiangsu Ecady Machinery Industry Group Co., Ltd. (CN)**
- (**) Term: **15 Years**
- (21) Appl. No.: **29/678,709**
- (22) Filed: **Jan. 30, 2019**
- (51) **LOC (12) Cl.** **08-06**
- (52) **U.S. Cl.**
USPC **D8/312**
- (58) **Field of Classification Search**
USPC D8/107, 300-312; D12/159;
D23/250-254; D24/146
CPC . G05G 1/10; G05G 1/08; G05G 5/005; Y10T
74/2084; Y10T 16/506; Y10T 74/18056;
Y10T 403/7056; Y10T 74/20612; Y10T
16/46; Y10T 16/469
See application file for complete search history.

7,824,327	B2 *	11/2010	Smith	A61B 17/3496
					600/114
7,963,003	B1 *	6/2011	Keene	F24C 15/086
					16/441
D675,893	S *	2/2013	Chen	D8/25
D676,551	S *	2/2013	Desai	D24/129
D695,586	S *	12/2013	Brown	D16/130
D720,596	S *	1/2015	Dams	D8/312
9,554,788	B1 *	1/2017	Redler	A61B 17/0218
2005/0283049	A1 *	12/2005	Seki	A61B 1/0011
					600/147
2014/0260776	A1 *	9/2014	Burleson	G05G 1/10
					74/553
2016/0378130	A1 *	12/2016	Finley	G05G 5/005
					74/527

* cited by examiner

Primary Examiner — Lauren R Calve

(57) **CLAIM**

The ornamental design for a pressure regulating knob, as shown and described.

DESCRIPTION

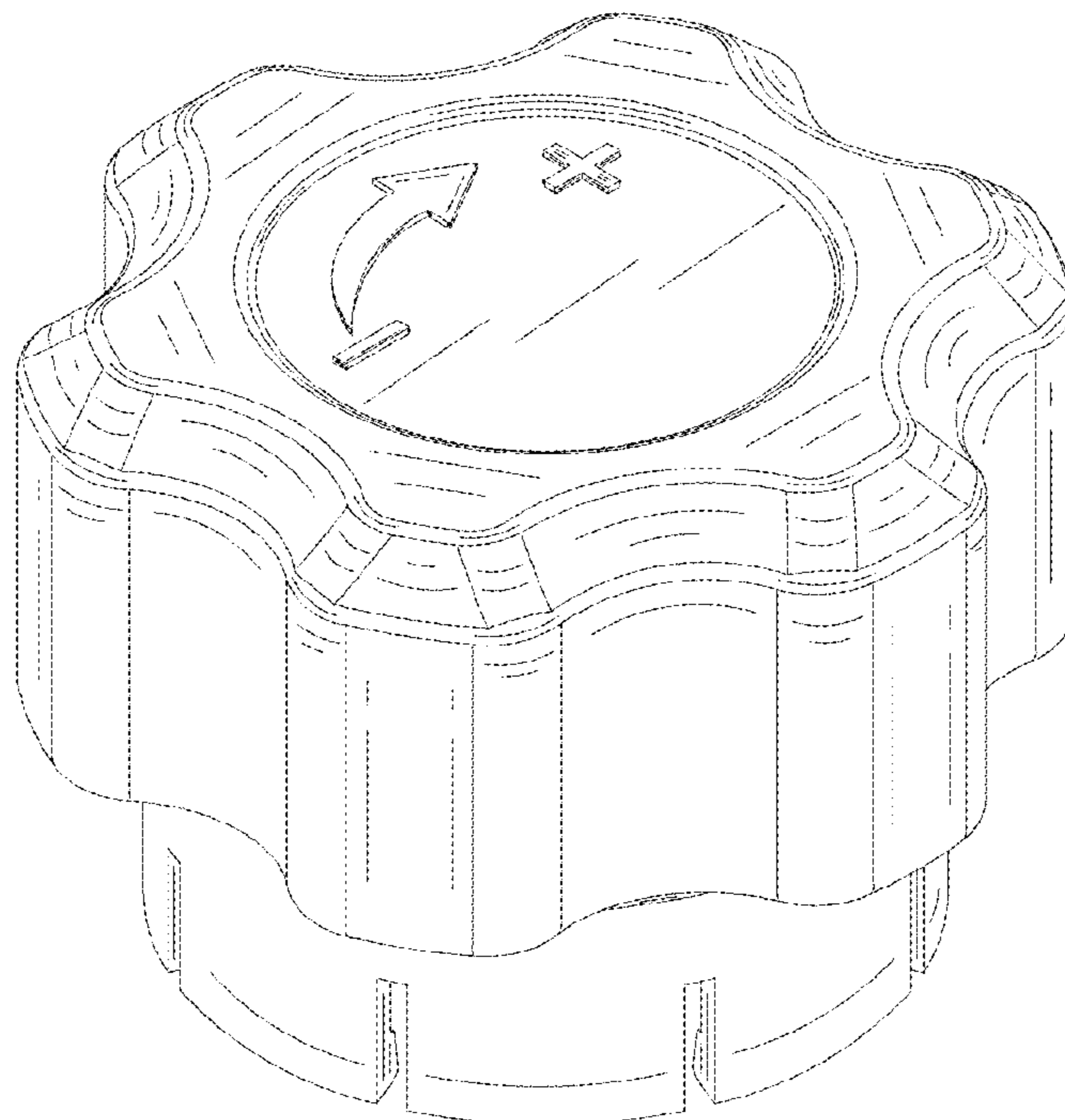
FIG. 1 is a front view of a pressure regulating knob, showing my new design;
 FIG. 2 is a back view thereof;
 FIG. 3 is a left side view thereof;
 FIG. 4 is a right side view thereof;
 FIG. 5 is a top view thereof;
 FIG. 6 is a bottom view thereof;
 FIG. 7 is a perspective view thereof; and,
 FIG. 8 is another perspective view thereof.
 The broken lines in the drawing depict portions of the pressure regulating knob that form no part of the claimed design.

1 Claim, 8 Drawing Sheets

(56) **References Cited**

U.S. PATENT DOCUMENTS

3,561,287	A *	2/1971	Lawrence, Jr.	G05G 1/08
					74/553
5,217,441	A *	6/1993	Shichman	A61B 17/3403
					604/164.01
D472,947	S *	4/2003	Wu	D21/694
D572,998	S *	7/2008	Crain	D8/305
D589,776	S *	4/2009	Camp	D8/310



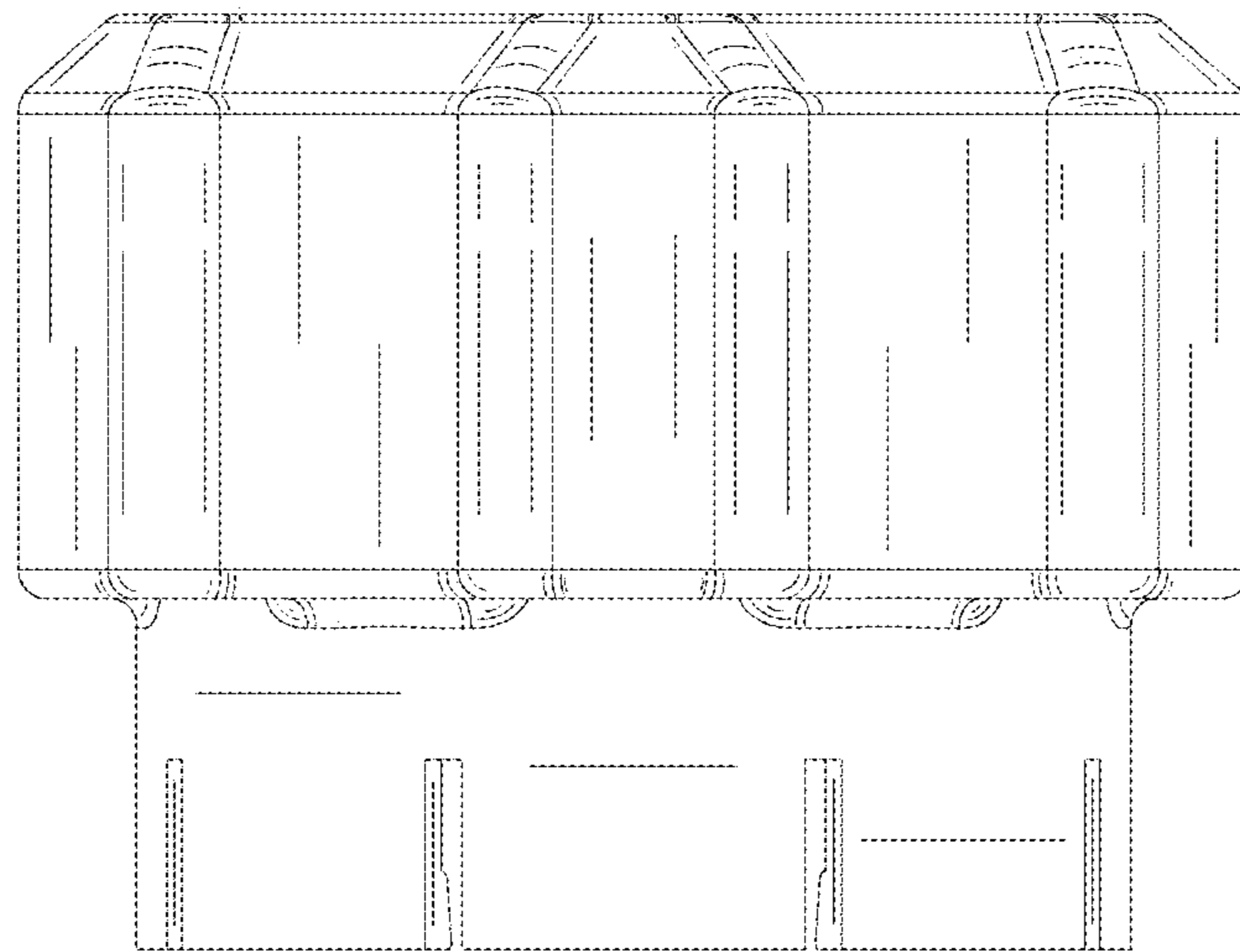


FIG. 1

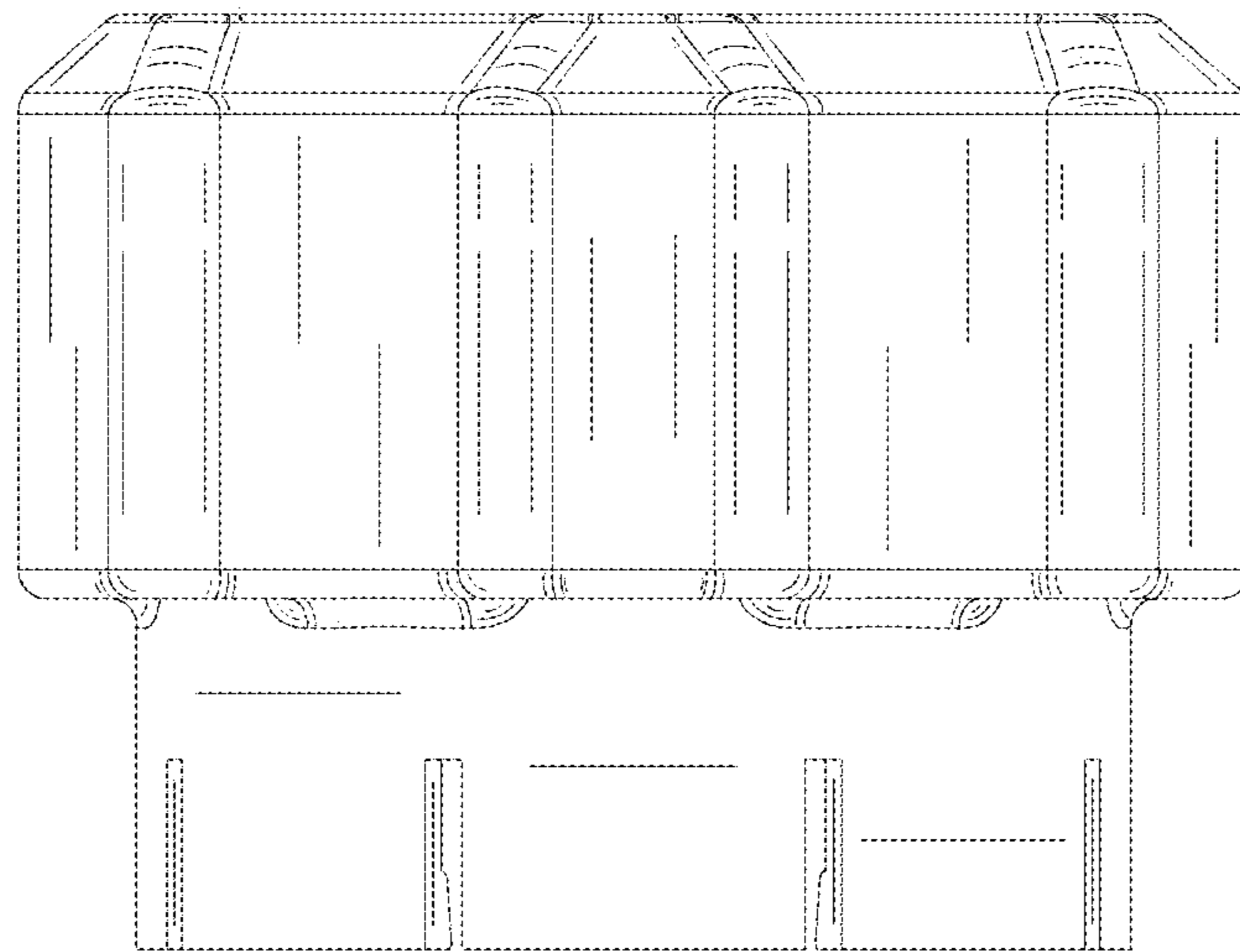


FIG. 2

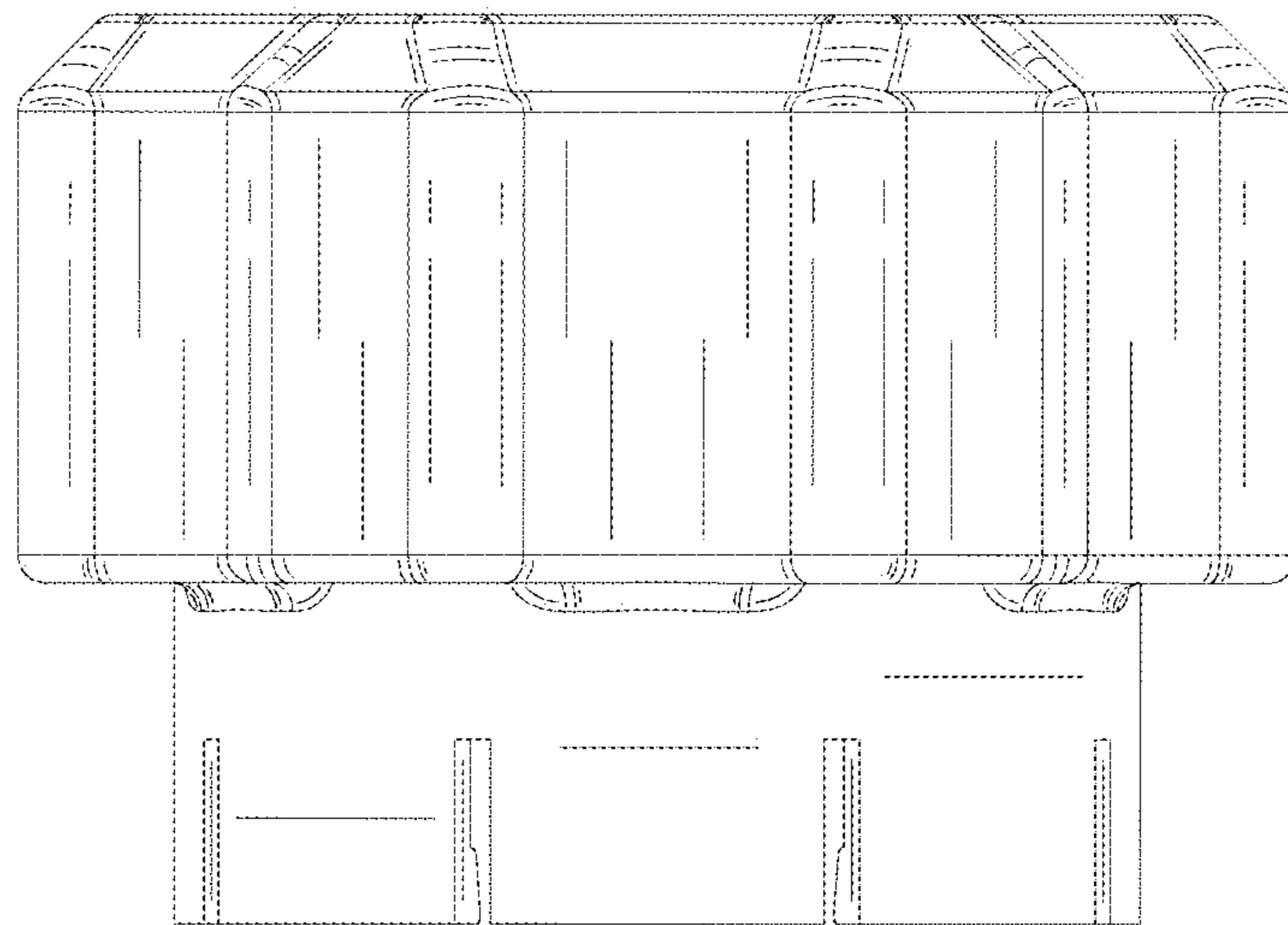


FIG. 3

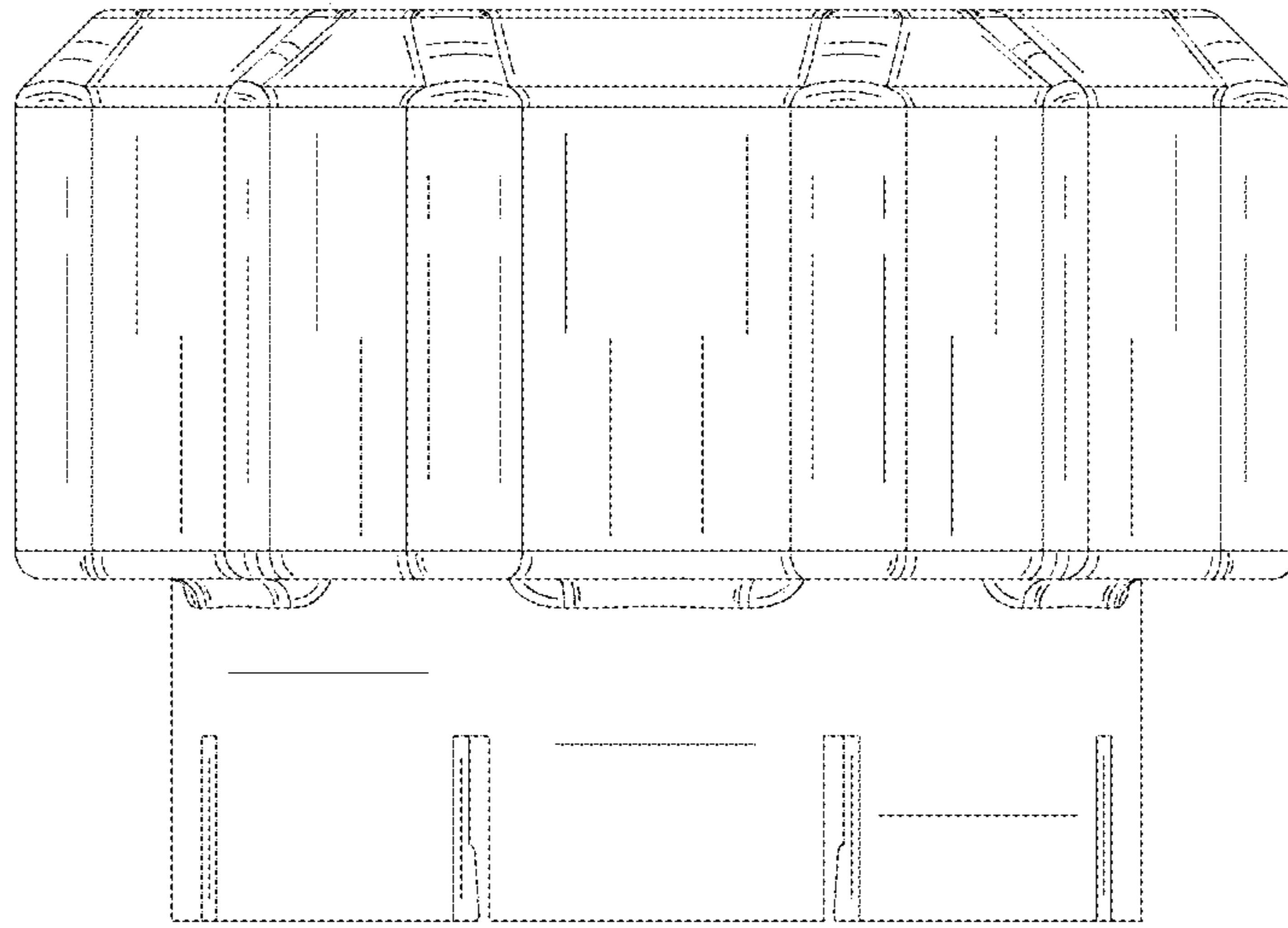


FIG. 4

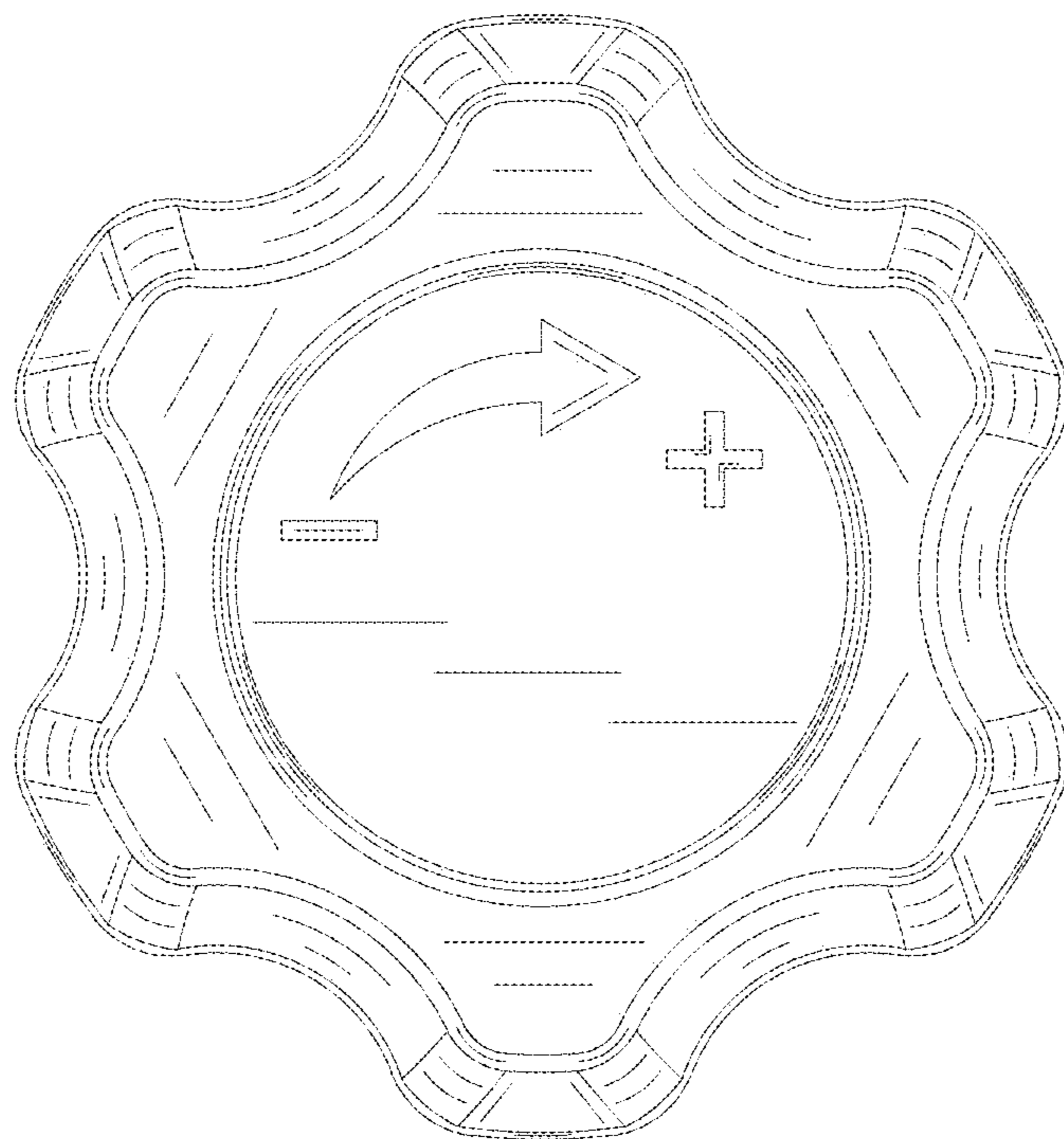


FIG. 5

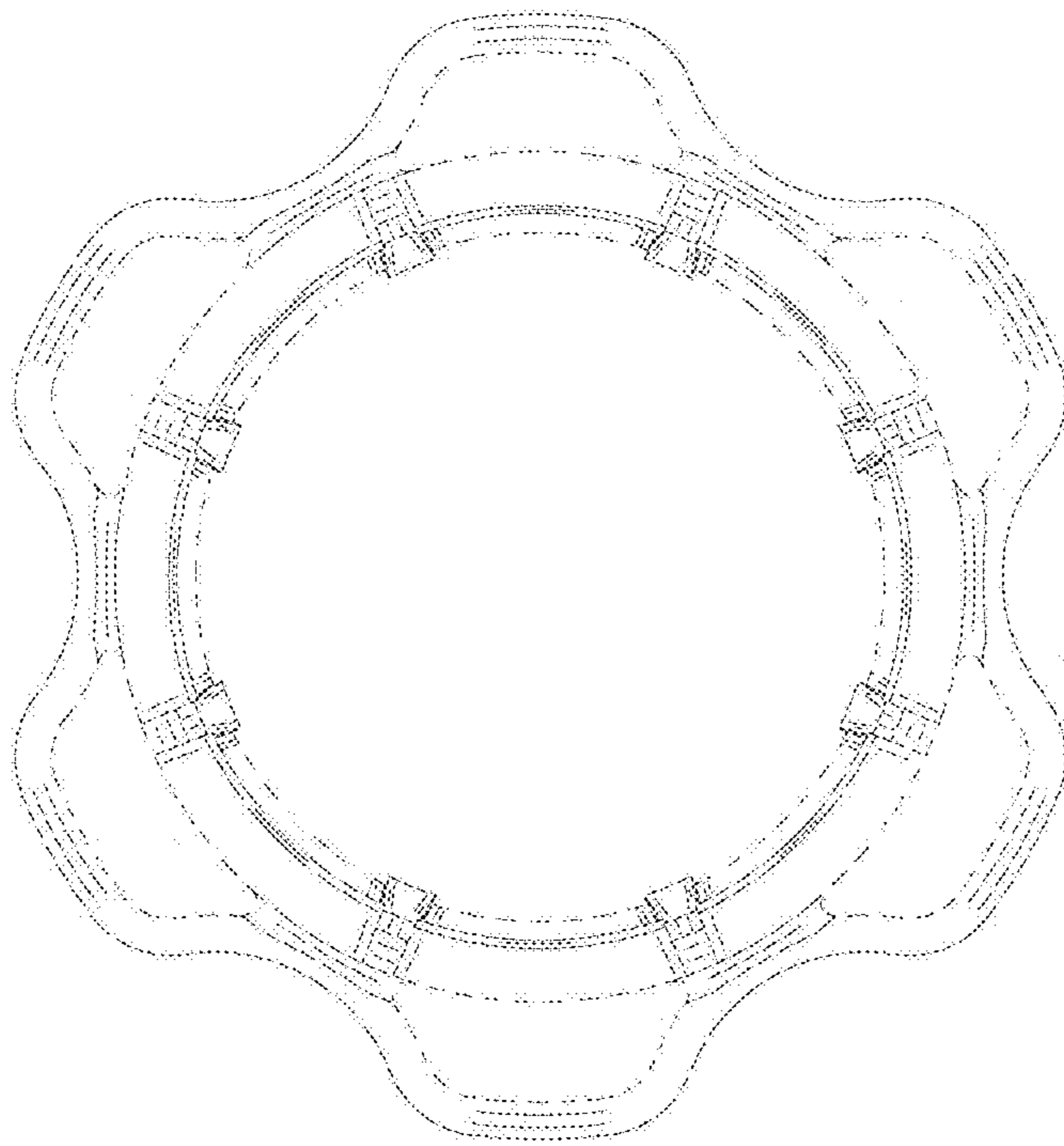


FIG. 6

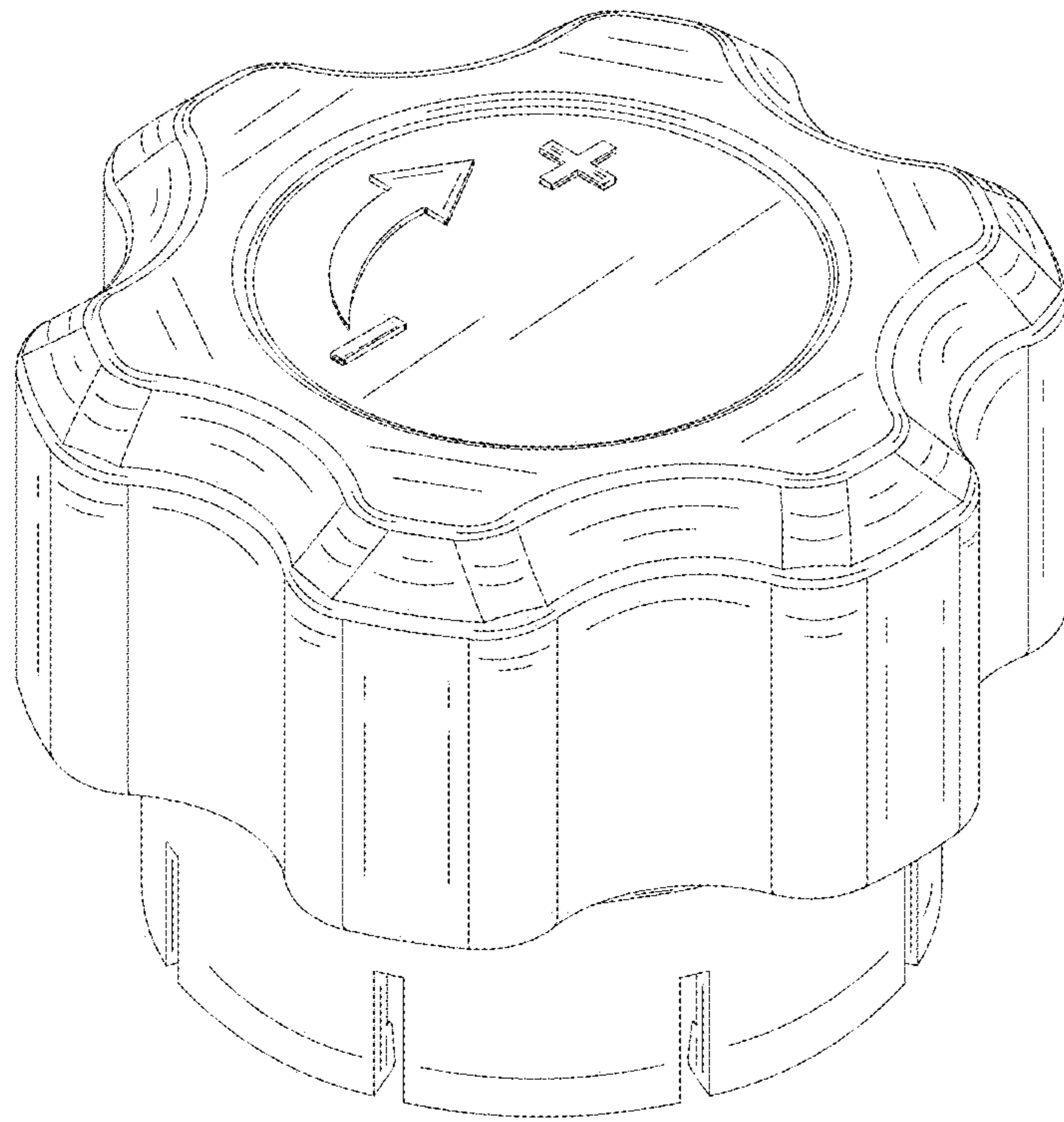


FIG. 7

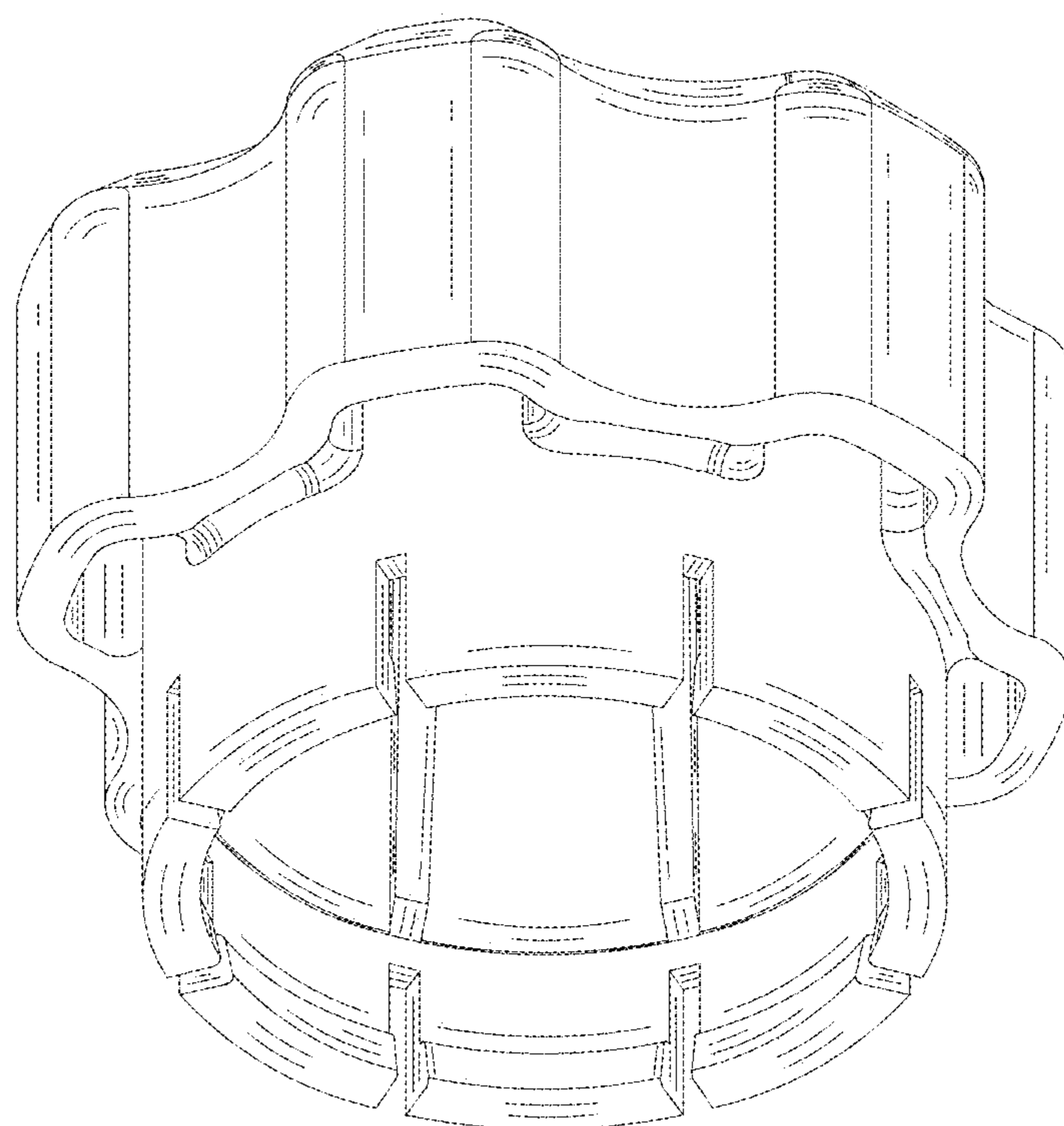


FIG. 8