

US00D890593S

(12) **United States Design Patent** (10) **Patent No.:** **US D890,593 S**  
**Sagehorn** (45) **Date of Patent:** **\*\* Jul. 21, 2020**

(54) **DIAMOND-SHAPED HANDLE FOR TOOL**

(71) Applicant: **Thomas J Sagehorn**, North Barrington, IL (US)

(72) Inventor: **Thomas J Sagehorn**, North Barrington, IL (US)

(\*\*) Term: **15 Years**

(21) Appl. No.: **29/690,060**

(22) Filed: **May 4, 2019**

(51) **LOC (12) Cl.** ..... **08-05**

(52) **U.S. Cl.**  
USPC ..... **D8/107**

(58) **Field of Classification Search**  
USPC ..... D8/1, 3, 10, 107, 300, 303, 307, 311, D8/312, 315; D7/395; D4/129  
CPC ..... Y10T 16/469; Y10T 16/476; Y10T 74/20828; Y10T 74/20822; Y10T 16/466; Y10T 16/4713; Y10T 16/4707; Y10T 16/44; Y10T 74/2078; Y10T 74/20732; Y10T 74/20864; Y10T 16/4559; Y10T 74/2028; Y10T 292/57; Y10T 16/4576; Y10T 408/96; Y10T 74/20612; Y10T 407/1825; Y10T 74/20642; Y10T 408/65; Y10T 70/5872; Y10T 74/2042; Y10T 74/20396; Y10T 29/53943; Y10T 403/1649; B25G 1/102; B25G 1/10; B25G 1/105; B25G 3/00; B25G 1/085  
See application file for complete search history.

(56) **References Cited**

**U.S. PATENT DOCUMENTS**

D208,997 S \* 10/1967 Anderson et al. .... D8/10  
D262,351 S \* 12/1981 Oas ..... D8/1  
5,533,768 A \* 7/1996 Mitchell ..... B25G 1/01  
294/54.5  
D384,559 S \* 10/1997 Tisbo ..... D8/10

D384,873 S \* 10/1997 Aquilina ..... D8/107  
5,826,929 A \* 10/1998 Tisbo ..... E01H 5/02  
294/54.5  
D466,786 S \* 12/2002 Bourgeois ..... D8/107  
D475,601 S \* 6/2003 Huang ..... D8/107  
D541,489 S \* 4/2007 Johnson ..... D30/152  
D548,550 S \* 8/2007 Yeh ..... D8/10  
D592,920 S \* 5/2009 Boies ..... D8/10  
D712,231 S \* 9/2014 Thompson ..... D8/300  
9,198,337 B2 \* 12/2015 Walsh ..... A01B 1/026  
9,205,983 B1 \* 12/2015 Reese ..... B65G 7/12  
D764,889 S \* 8/2016 Merten ..... D8/107  
D782,894 S \* 4/2017 DePietro ..... D8/107  
D806,811 S \* 1/2018 Best ..... D21/692  
D811,849 S \* 3/2018 Chou ..... D8/107

\* cited by examiner

*Primary Examiner* — Lauren R Calve  
(74) *Attorney, Agent, or Firm* — Patents and Licensing LLC; Daniel W. Juffernbruch

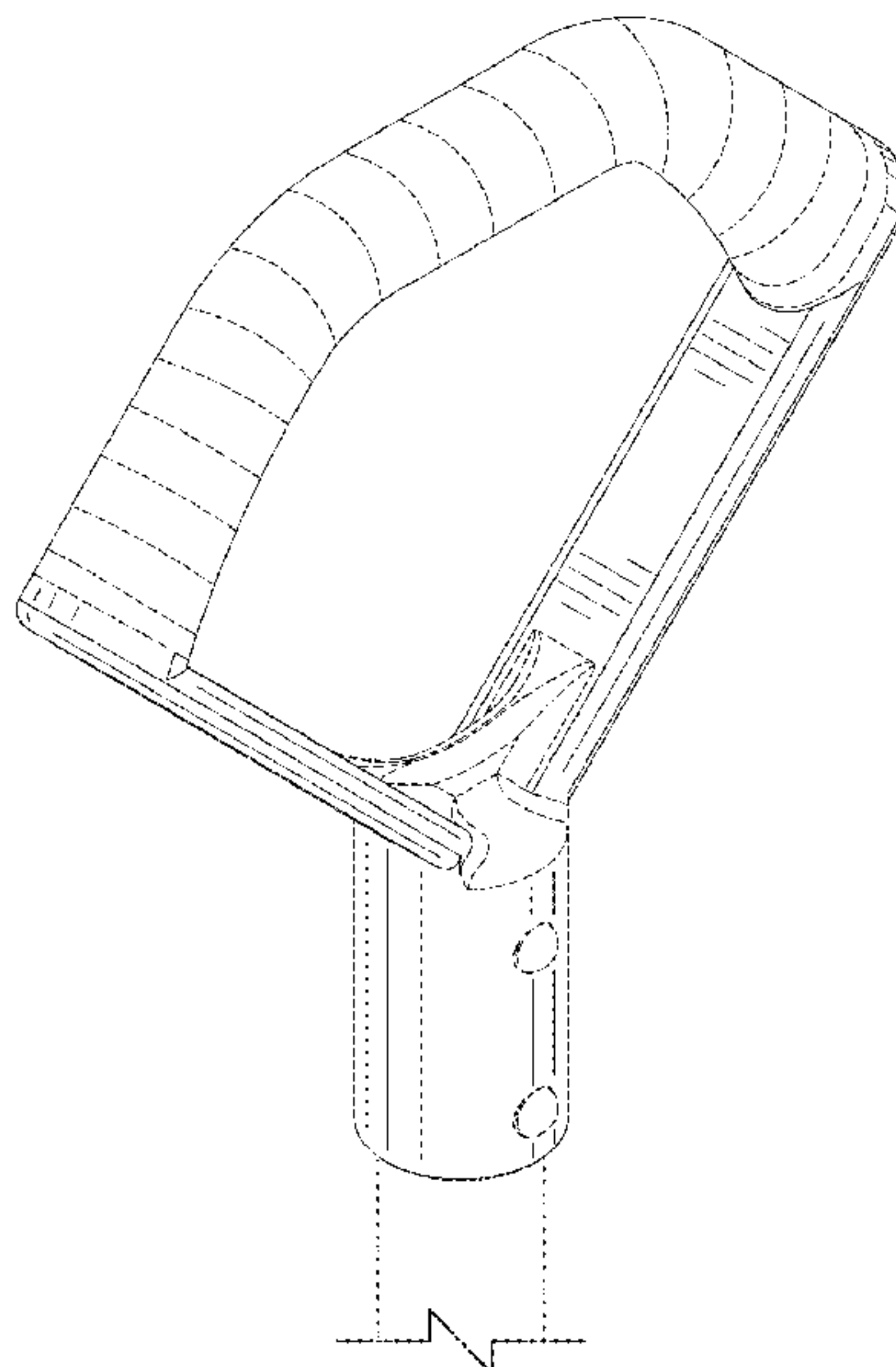
(57) **CLAIM**

The ornamental design for a diamond-shaped handle for tool, as shown and described.

**DESCRIPTION**

FIG. 1 is a front perspective view of a diamond-shaped handle for tool shown in environmental use;  
FIG. 2 is a top perspective view of the diamond-shaped handle for tool shown in partial environmental use;  
FIG. 3 is a bottom perspective view thereof;  
FIG. 4 is a front view thereof;  
FIG. 5 is a rear view thereof;  
FIG. 6 is a first side view thereof;  
FIG. 7 is a second side view thereof;  
FIG. 8 is a top view thereof; and,  
FIG. 9 is a bottom view thereof.  
The broken lines shown are for illustrative purposes only and form no part of the claimed design.

**1 Claim, 7 Drawing Sheets**



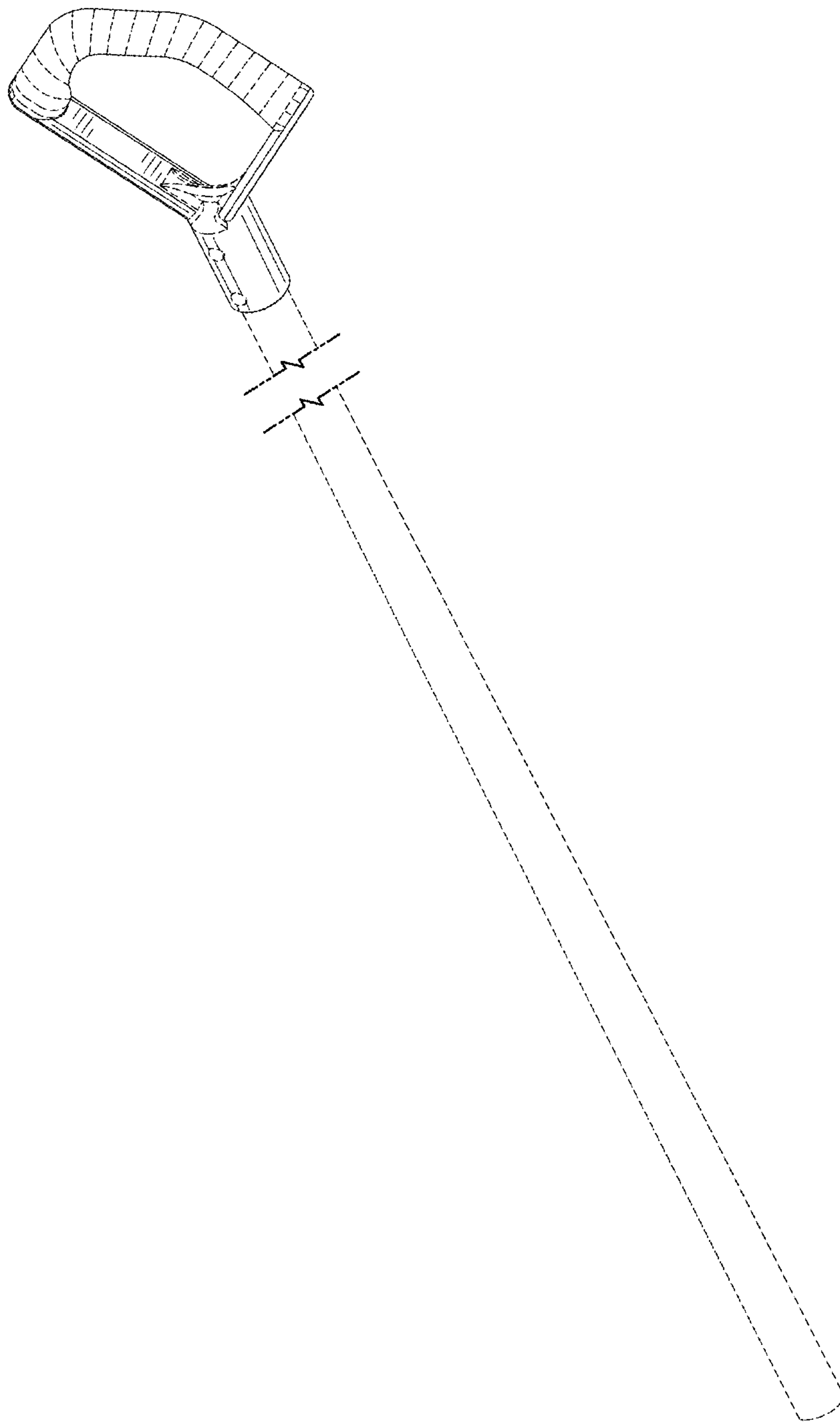


FIG. 1

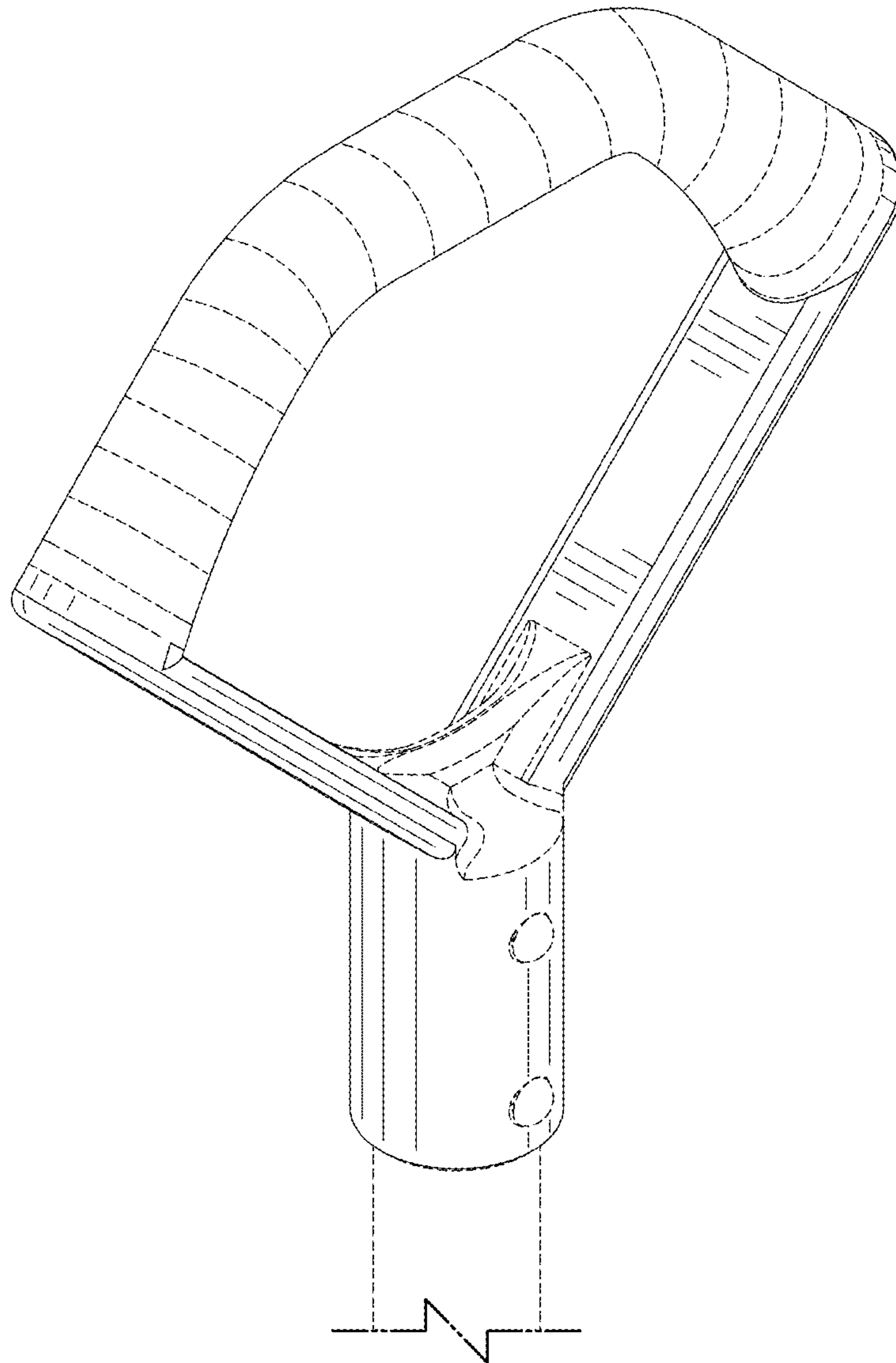


FIG. 2

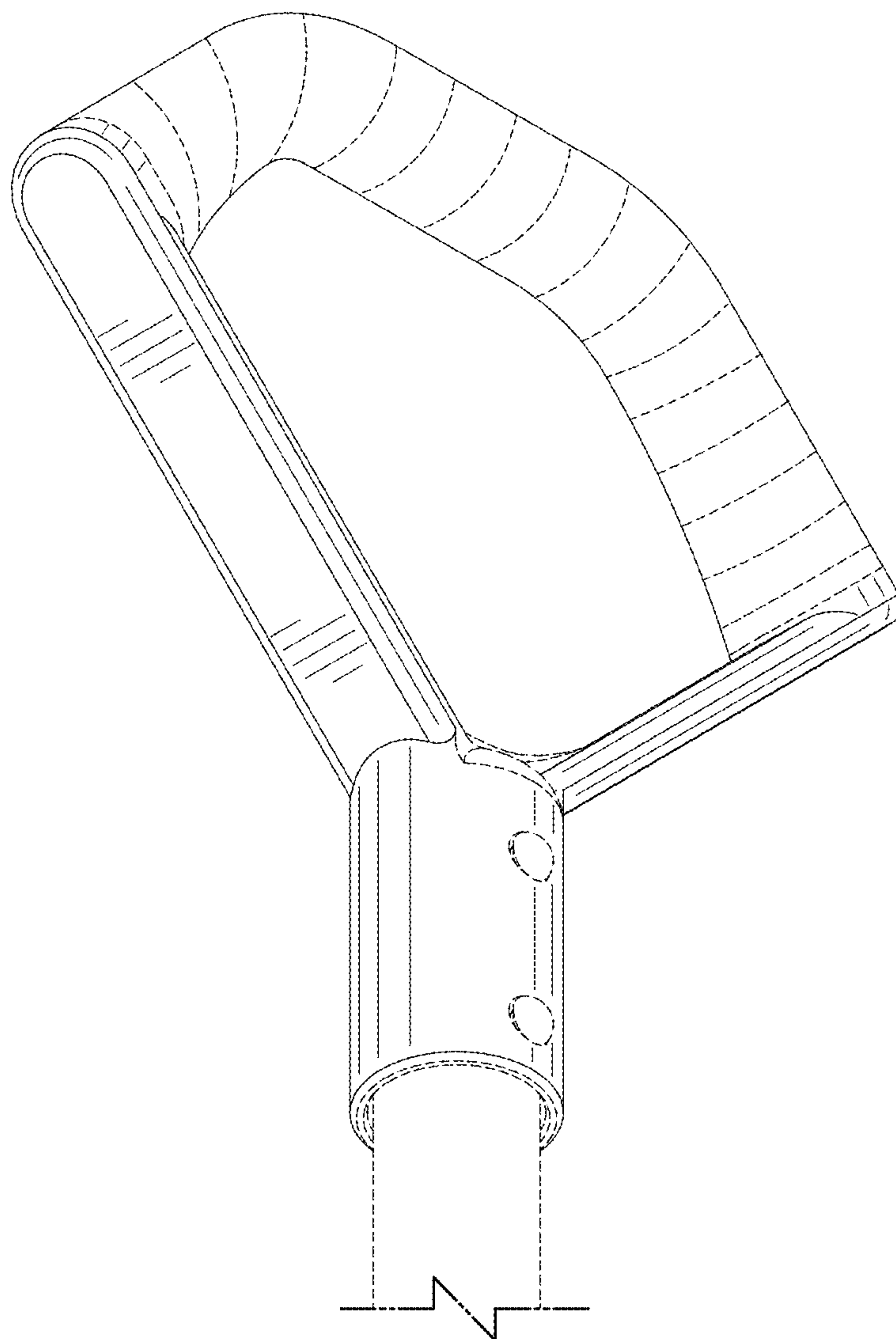


FIG. 3

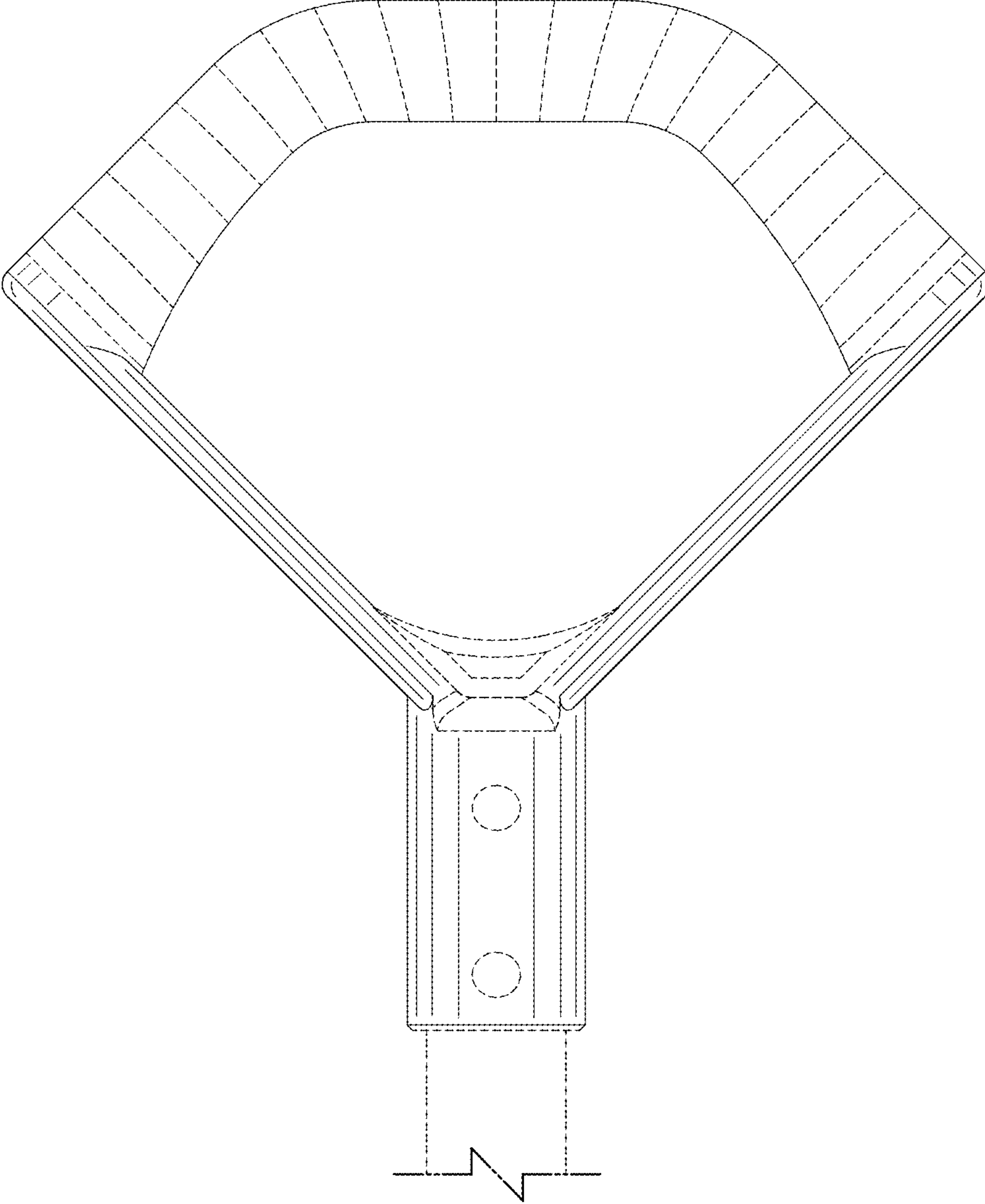


FIG. 4

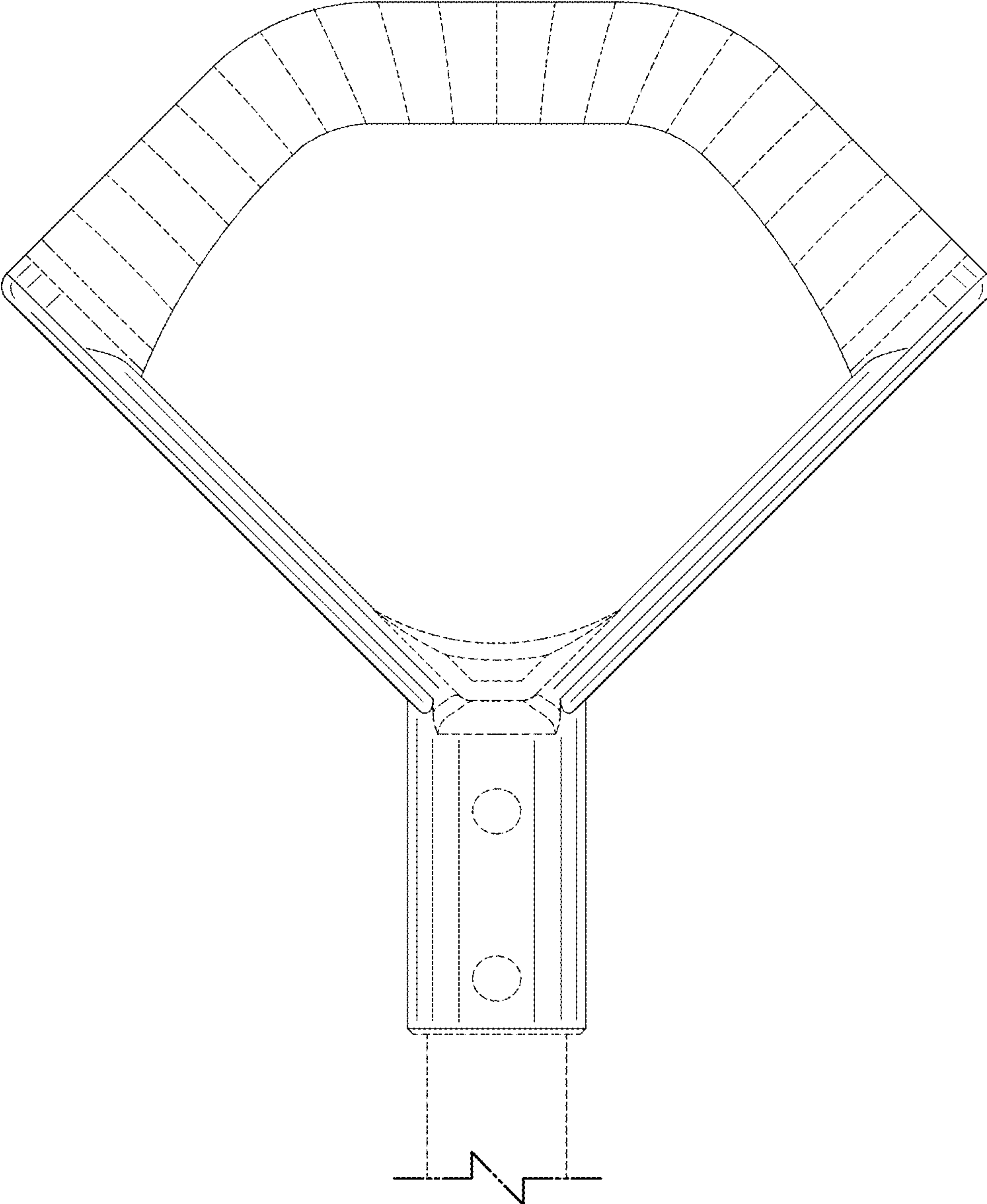


FIG. 5



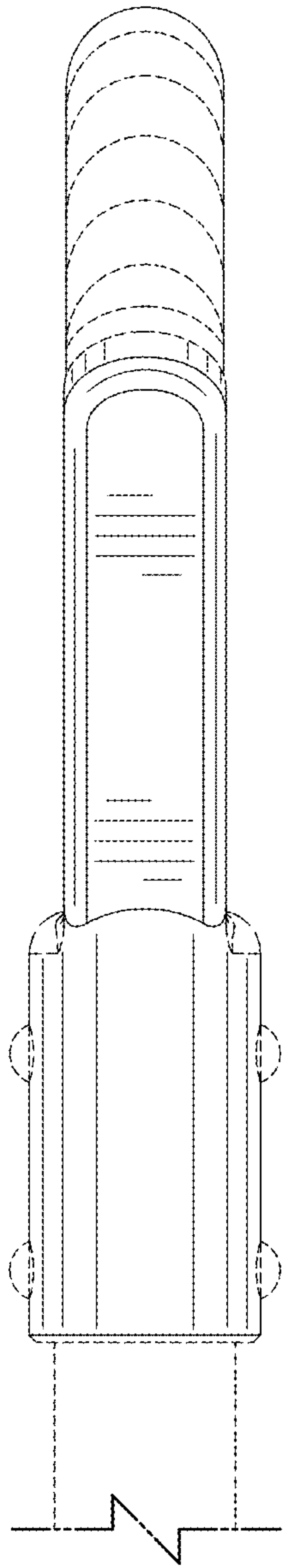


FIG. 6

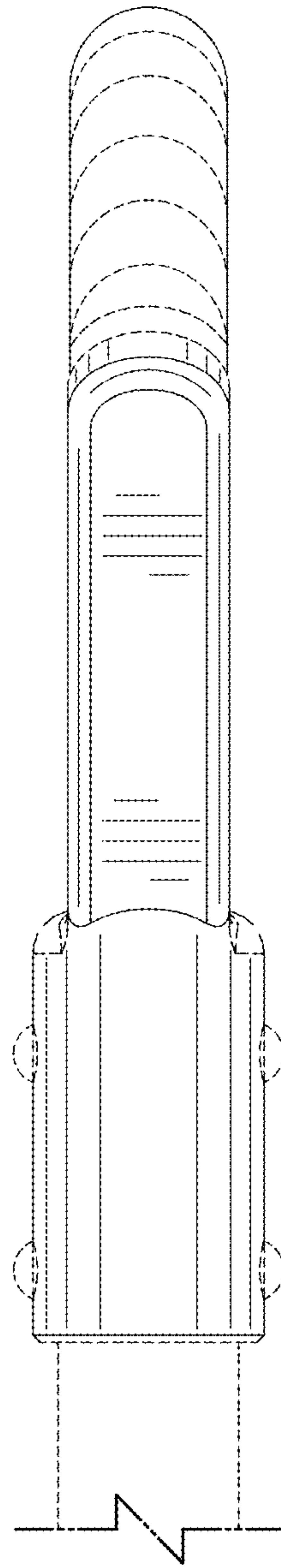


FIG. 7

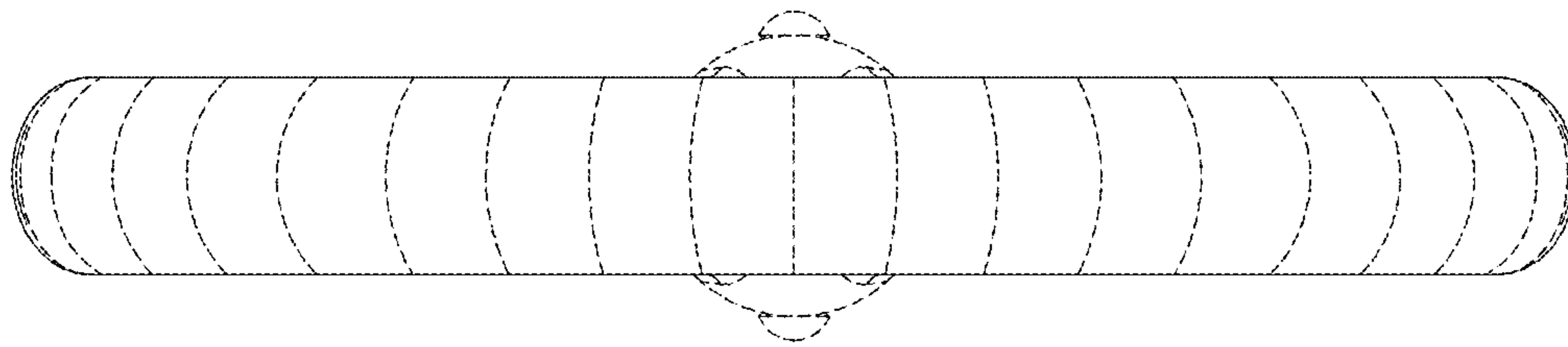


FIG. 8

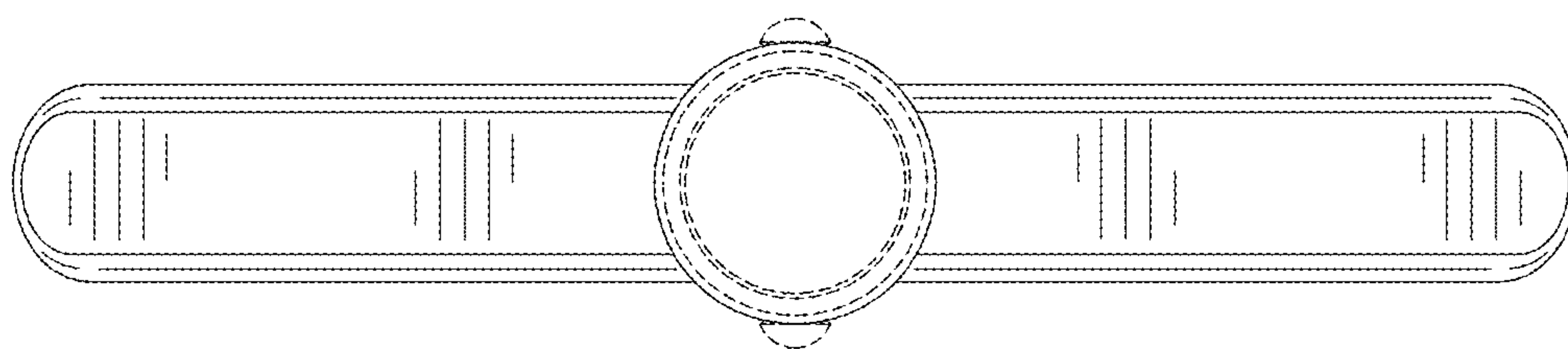


FIG. 9