



(12) **United States Design Patent**  
**Lei**

(10) **Patent No.:** **US D890,591 S**  
(45) **Date of Patent:** **\*\* Jul. 21, 2020**

(54) **GIFT WRAPPING PAPER CUTTER**

(71) Applicant: **Dongliang Lei**, Hu'nan (CN)

(72) Inventor: **Dongliang Lei**, Hu'nan (CN)

(\*\*) Term: **15 Years**

(21) Appl. No.: **29/717,946**

(22) Filed: **Dec. 19, 2019**

(51) **LOC (12) Cl.** ..... **08-03**

(52) **U.S. Cl.**  
USPC ..... **D8/98**

(58) **Field of Classification Search**  
USPC ..... D8/14, 98; D18/34.8, 34.9, 34.3  
CPC ..... B65H 2301/515; B65H 2301/5151; B65H  
2301/51512; B65H 2301/123; B65H  
2301/515126  
See application file for complete search history.

(56) **References Cited**

**U.S. PATENT DOCUMENTS**

- 1,821,947 A \* 9/1931 Ross ..... B65H 35/008  
225/56
- 3,197,102 A \* 7/1965 Bates ..... B65H 75/28  
225/58
- 5,850,960 A \* 12/1998 Cadwell ..... B65H 35/0006  
225/58

- 7,694,617 B2 \* 4/2010 Habra ..... B26D 1/065  
83/578
- 8,714,428 B2 \* 5/2014 Mallard ..... B65D 83/0841  
225/58
- 9,868,222 B2 \* 1/2018 Leason ..... B26D 1/025
- 2018/0345516 A1 \* 12/2018 Perla ..... B65H 35/002

\* cited by examiner

*Primary Examiner* — Philip S Hyder

(74) *Attorney, Agent, or Firm* — Justin Lampel

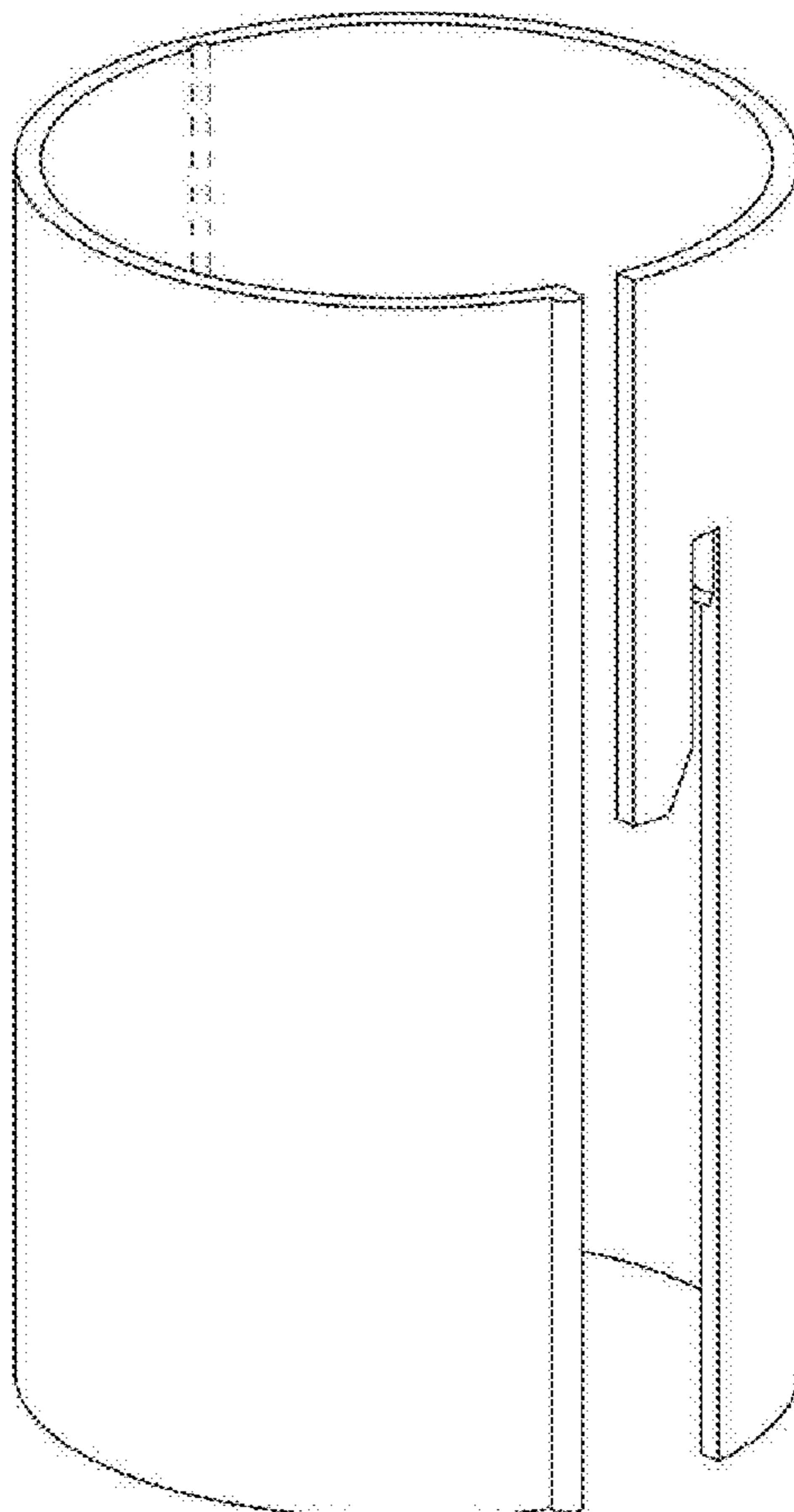
(57) **CLAIM**

The ornamental design for a gift wrapping paper cutter, as shown and described.

**DESCRIPTION**

FIG. 1 is a perspective view of a gift wrapping paper cutter showing the claimed design;  
FIG. 2 is a top plan view thereof;  
FIG. 3 is a rear elevational view thereof;  
FIG. 4 is a bottom plan view thereof;  
FIG. 5 is a right side view thereof;  
FIG. 6 is a front elevational view thereof; and,  
FIG. 7 is a left side view thereof.  
The broken lines illustrate portions of the gift wrapping paper cutter that form no part of the claimed design.

**1 Claim, 7 Drawing Sheets**



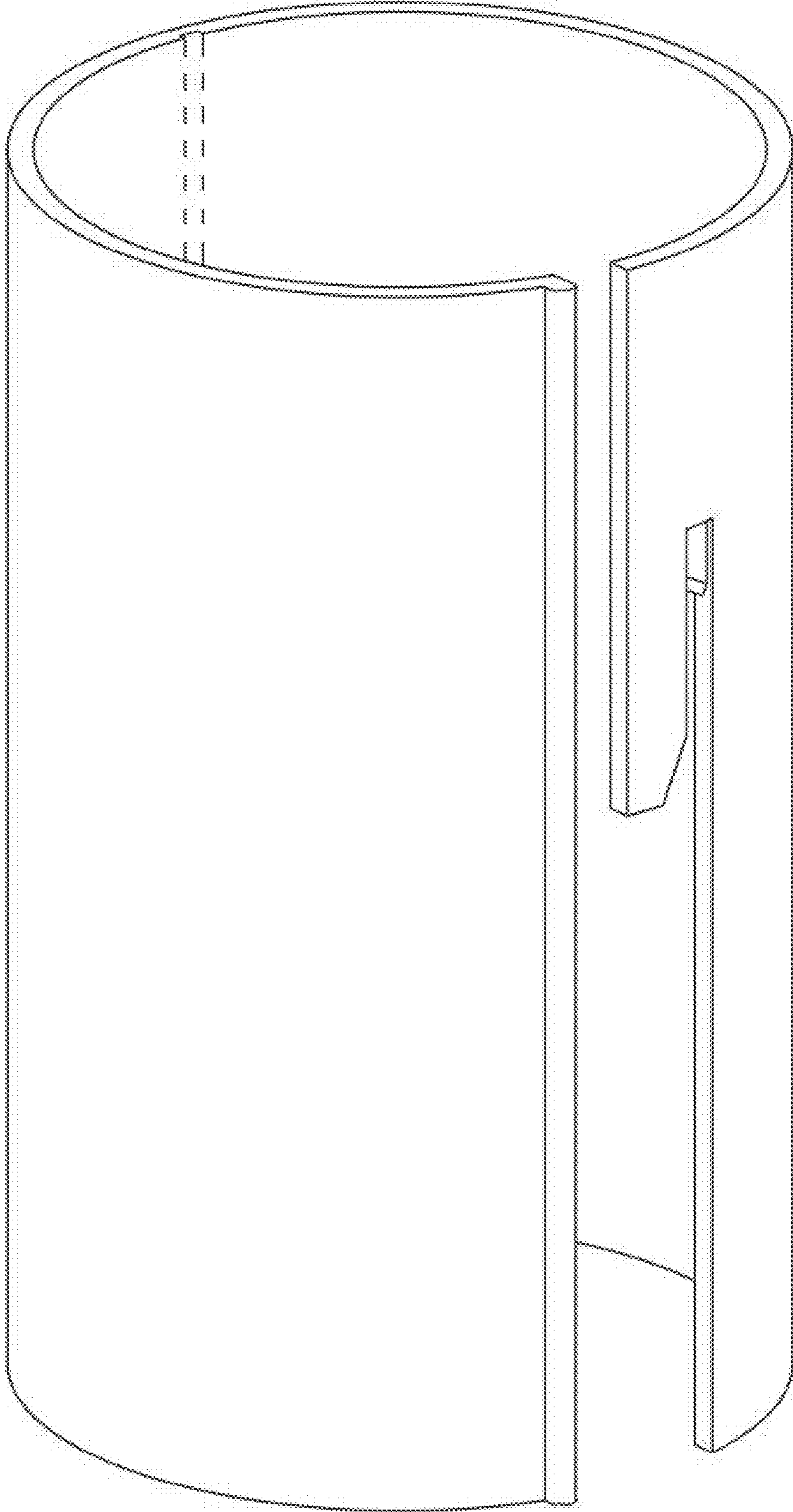


FIG.1

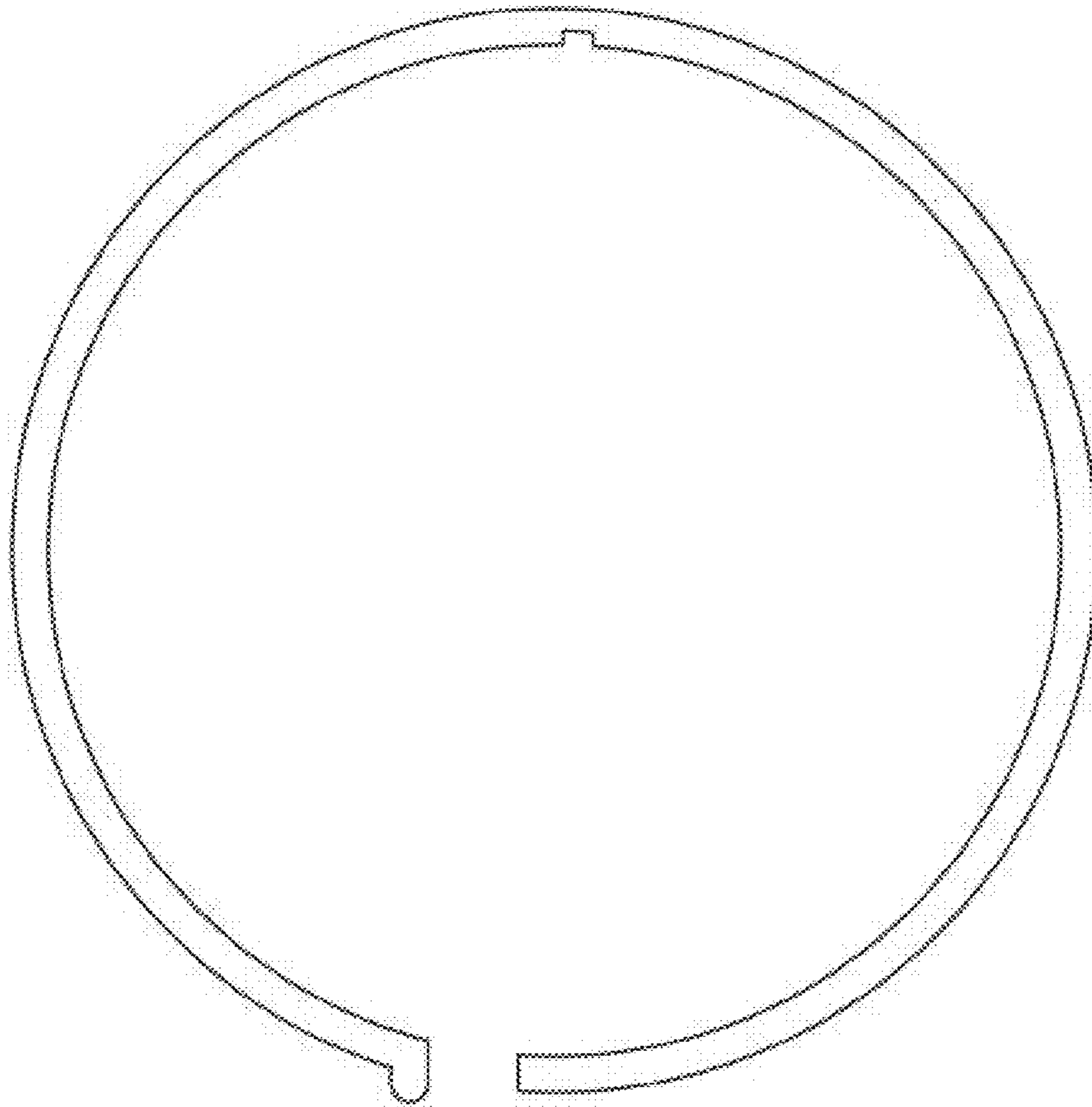
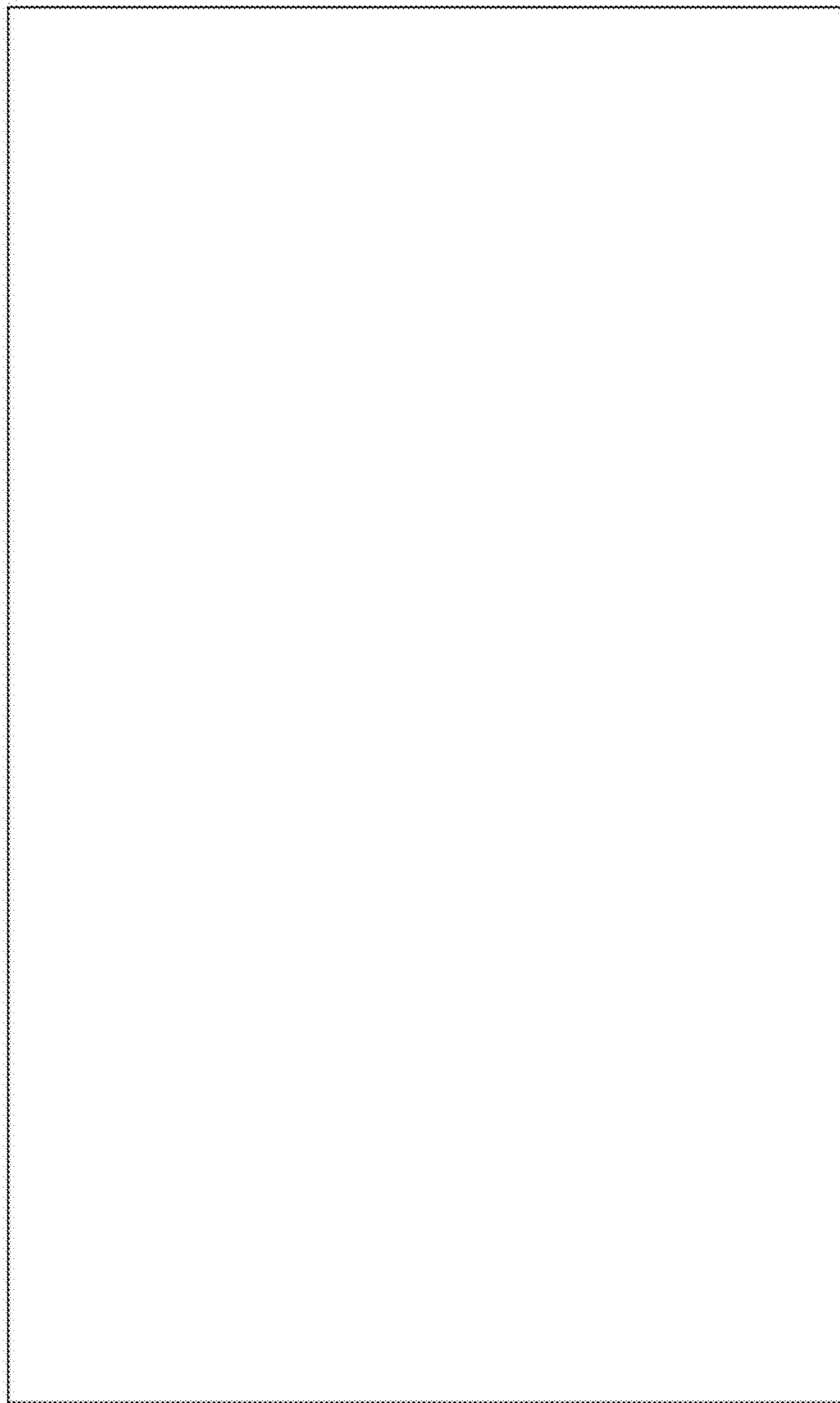


FIG.2



**FIG.3**

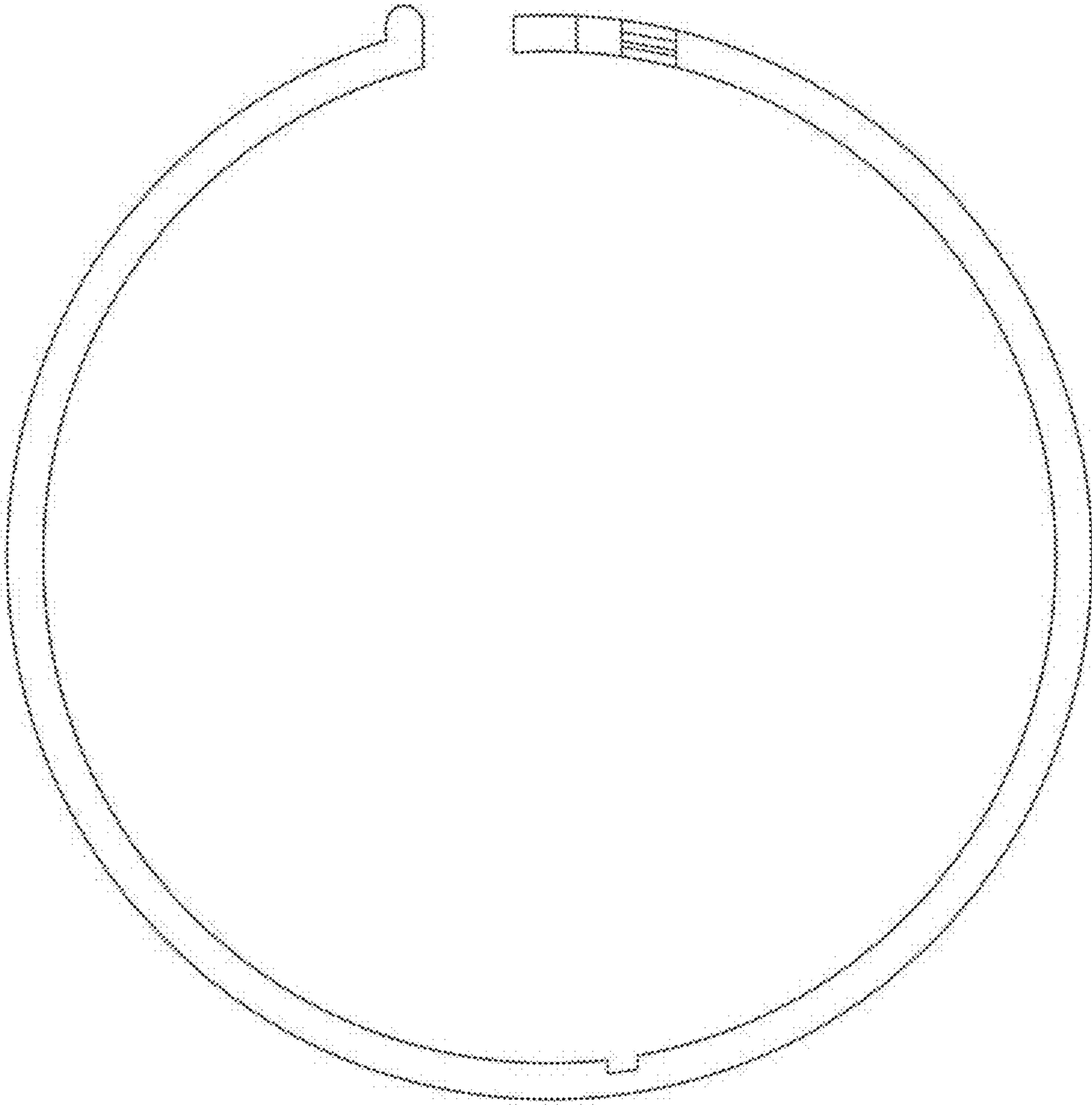


FIG.4

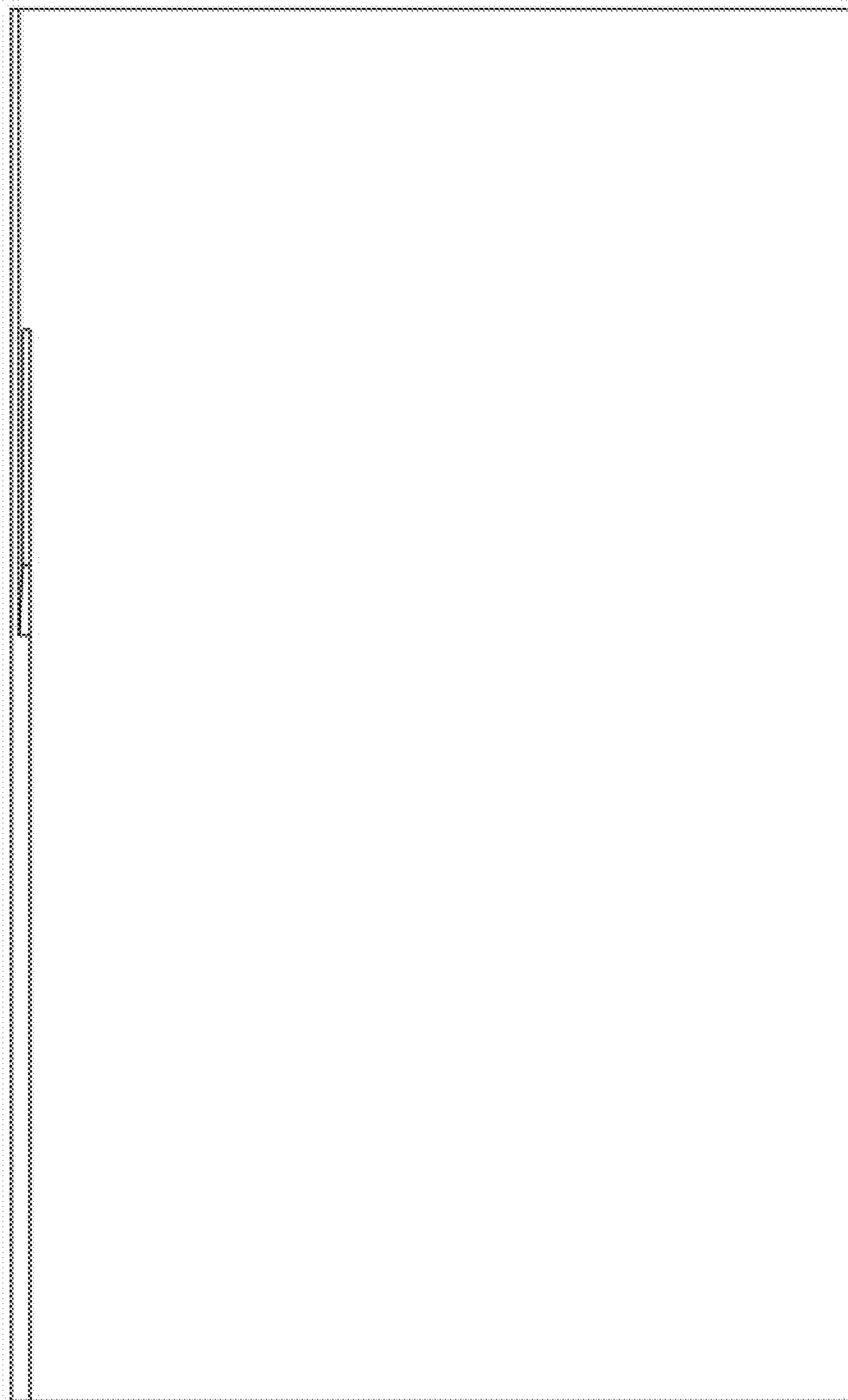


FIG.5



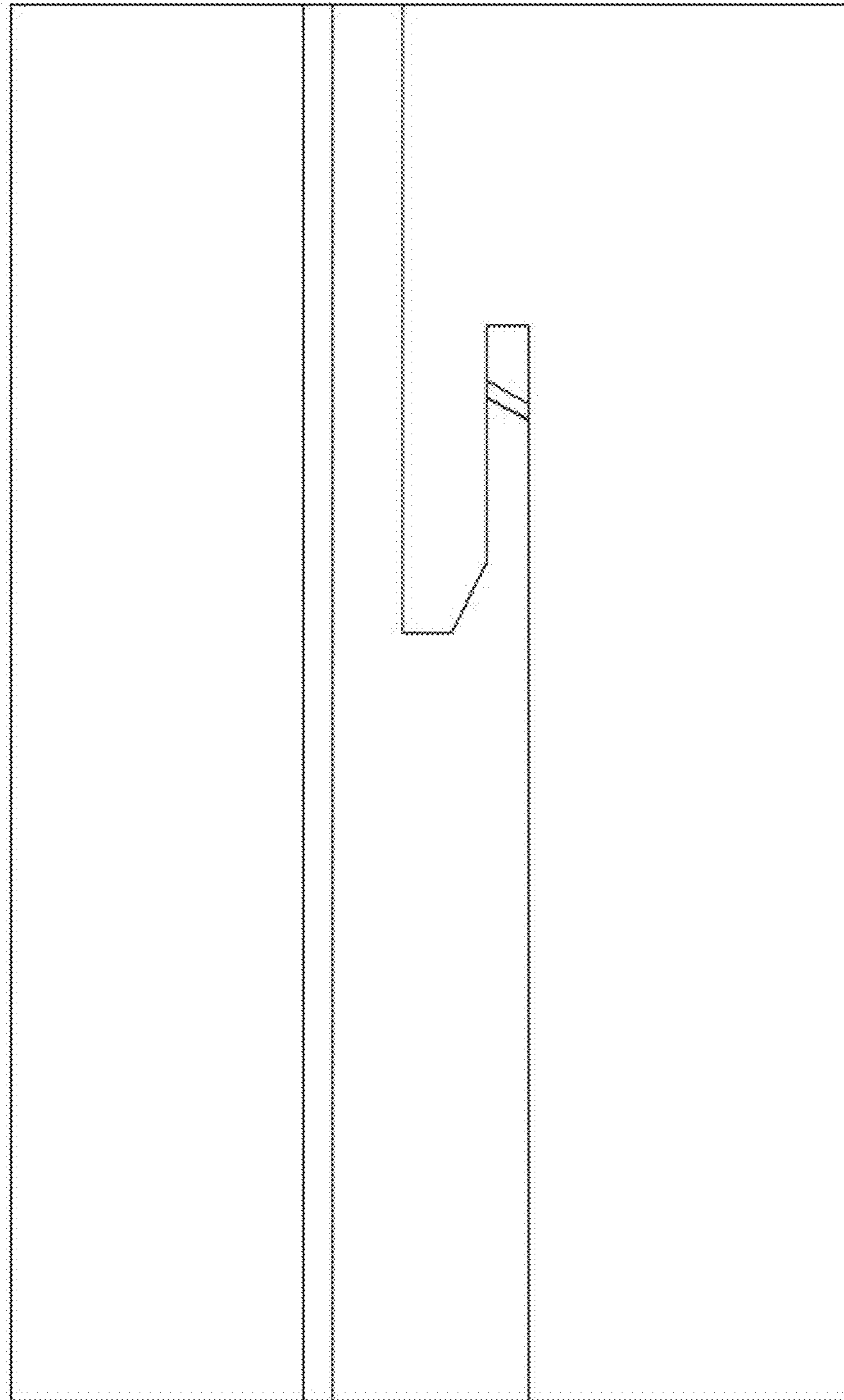


FIG. 6

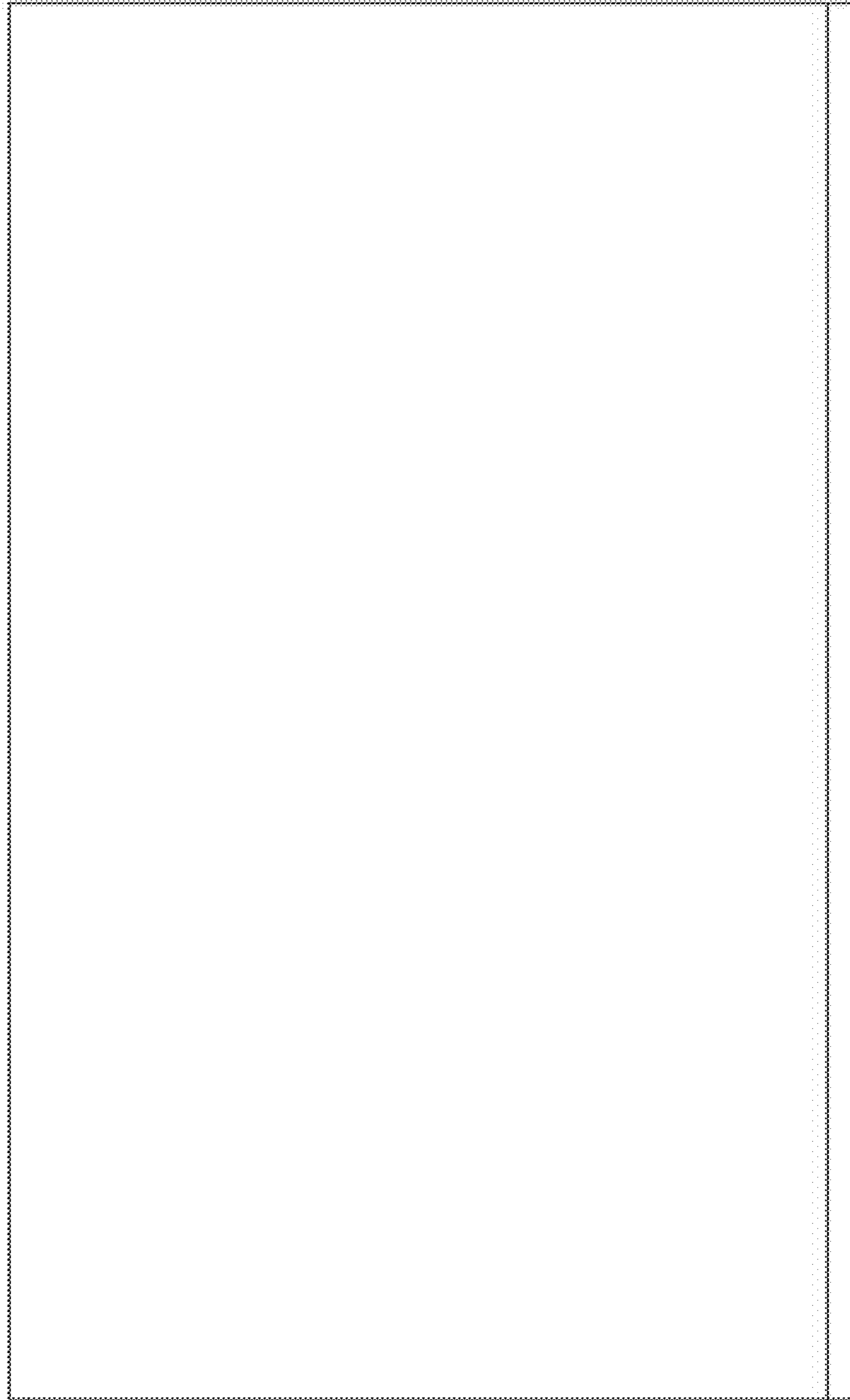


FIG.7