



US00D890590S

(12) **United States Design Patent**
O'Halloran

(10) **Patent No.:** **US D890,590 S**

(45) **Date of Patent:** **** Jul. 21, 2020**

- (54) **RACK FOR RETAINING CLAMPS**
- (71) Applicant: **Woodpeckers, LLC**, Strongsville, OH (US)
- (72) Inventor: **Edward Alan O'Halloran**, Elyria, OH (US)
- (73) Assignee: **Woodpeckers, LLC**, Strongsville, OH (US)

- 4,759,449 A * 7/1988 Gold A47B 57/58
211/184
- 5,372,256 A * 12/1994 Chen B42F 7/145
206/425
- D396,800 S * 8/1998 Prince D8/354
- D409,078 S * 5/1999 Bolt D8/354
- D437,282 S * 2/2001 Joll D12/223
- D502,966 S * 3/2005 Çakir D19/90
- D611,886 S * 3/2010 Peschmann D12/223
- D611,887 S * 3/2010 Peschmann D12/223
- D644,088 S * 8/2011 Gallaty D8/354
- D816,378 S * 5/2018 Ernst D6/683.1

(**) Term: **15 Years**

- (21) Appl. No.: **29/680,100**
- (22) Filed: **Feb. 13, 2019**
- (51) **LOC (12) Cl.** **08-08**
- (52) **U.S. Cl.**
USPC **D8/71; D8/394; D8/381**
- (58) **Field of Classification Search**
USPC D8/395, 394, 396, 398, 399, 15-29,
D8/51-61, 70, 70.1, 72, 73, 74, 330, 331,
D8/333, 335, 349, 350, 352, 354, 355,
D8/356, 14, 44, 381, 382, 383, 385, 387,
D8/388, 397
CPC A47F 5/00; A41F 15/02; F16B 19/1081;
B42F 1/006; B42F 1/08; B42F 9/001;
B42F 1/02; B65D 41/56; B25B 5/00;
B25B 7/12; Y10T 24/203; B25J 1/00;
B25J 1/04; B25J 15/00; A47B 81/00;
A47B 47/0058; A47B 47/027; A47B
57/58; A47B 96/067
See application file for complete search history.

(56) **References Cited**

U.S. PATENT DOCUMENTS

- 3,097,822 A * 7/1963 Attwood A47B 57/46
248/250
- D213,569 S * 3/1969 Paine D8/381

OTHER PUBLICATIONS

Woodpeckers ,Woodpeckers Clamp Rack-IT, Date first available Mar. 19, 2019 [online]retrieved May 14, 2020, available from internet, www.amazon.com (Year: 2019).*

(Continued)

Primary Examiner — Keli L Hill

Assistant Examiner — Sara S Sahneh

(74) *Attorney, Agent, or Firm* — Sand, Sebolt & Wernow Co., LPA

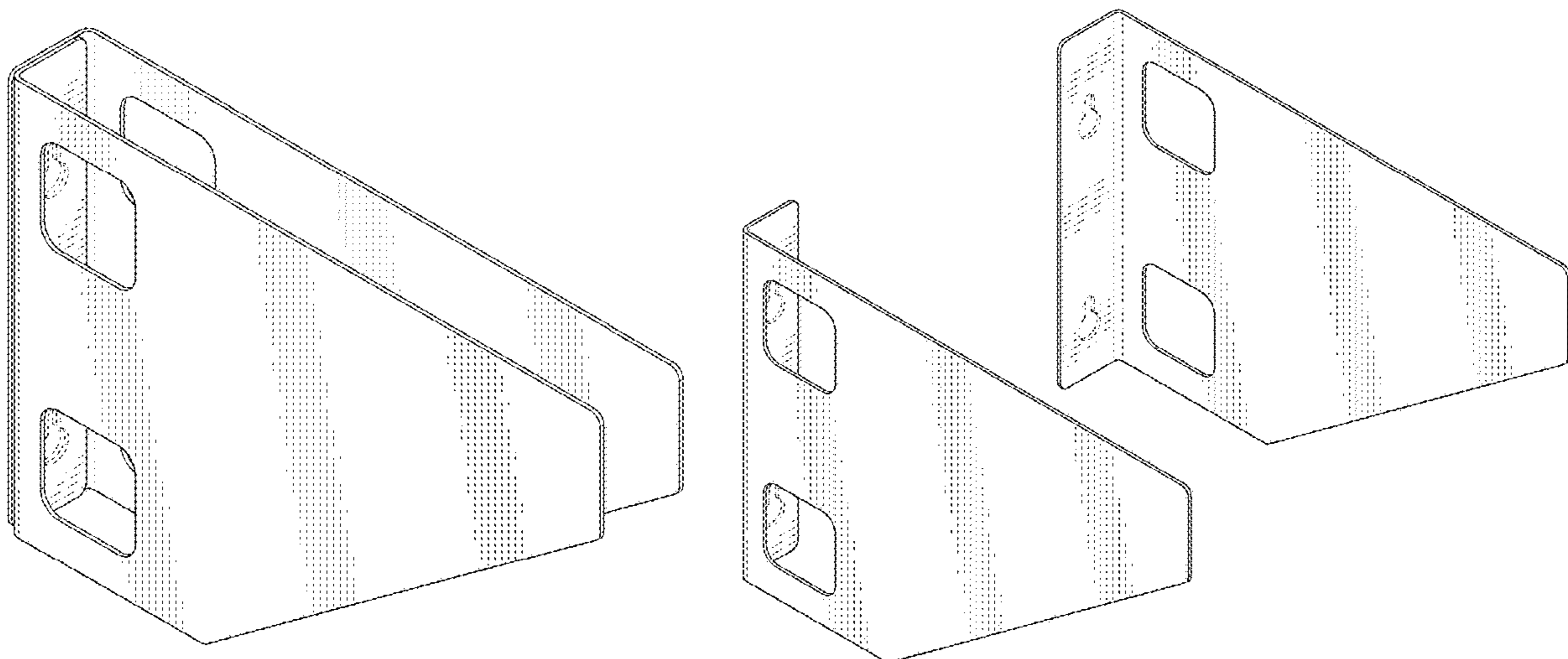
(57) **CLAIM**

The ornamental design for a rack for retaining clamps, as shown.

DESCRIPTION

FIG. 1 is a front top left isometric perspective view of a rack for retaining clamps in accordance with my design;
 FIG. 2 is a front top left exploded isometric perspective view thereof;
 FIG. 3 is a front elevation view thereof;
 FIG. 4 is a rear elevation view thereof;
 FIG. 5 is a top plan view thereof;
 FIG. 6 is a bottom plan view thereof;
 FIG. 7 is a left side elevation view thereof; and,
 FIG. 8 is a right side elevation view thereof.

1 Claim, 6 Drawing Sheets



(56)

References Cited

OTHER PUBLICATIONS

Rockler, Rockler HD Clamp Rack, Date first available Jun. 22, 2008, [online]retrieved May 14, 2020, available from internet, www.amazon.com (Year: 2008).*

Woodworking , Woodworking Project Paper Plan to Build Wall-Mounted Clamp Rack, Date first available Oct. 2, 2012, [online] retrieved May 14, 2020, available from internet, www.amazon.com (Year: 2012).*

MDesign, mDesign Plastic File Folder Bin Storage Organizer—Vertical with Handle—Holds Notebooks, Date first available Sep. 14, 2018, [online]retrieved May 14, 2020, available from internet, www.amazon.com (Year: 2018).*

* cited by examiner

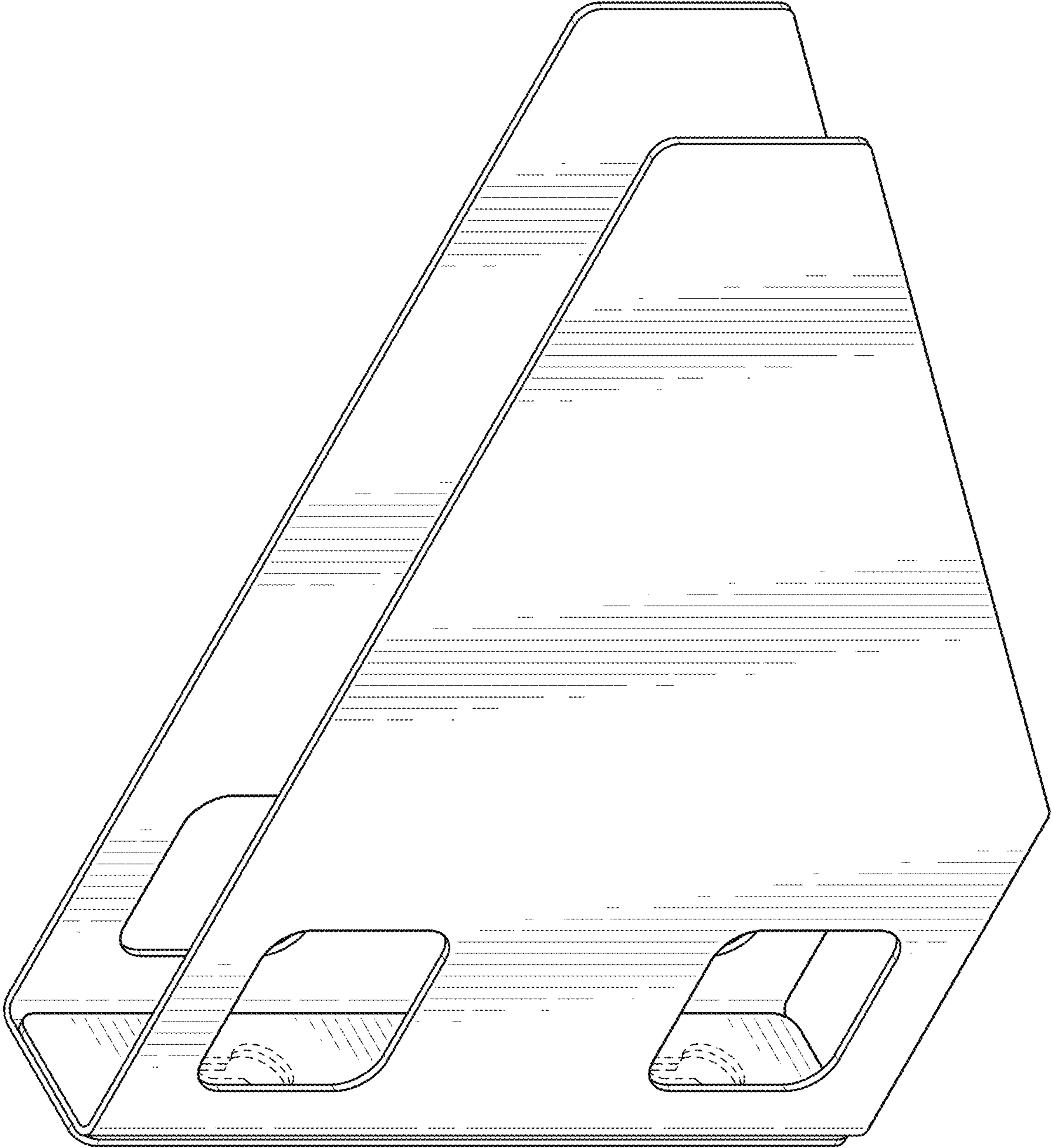


FIG. 1

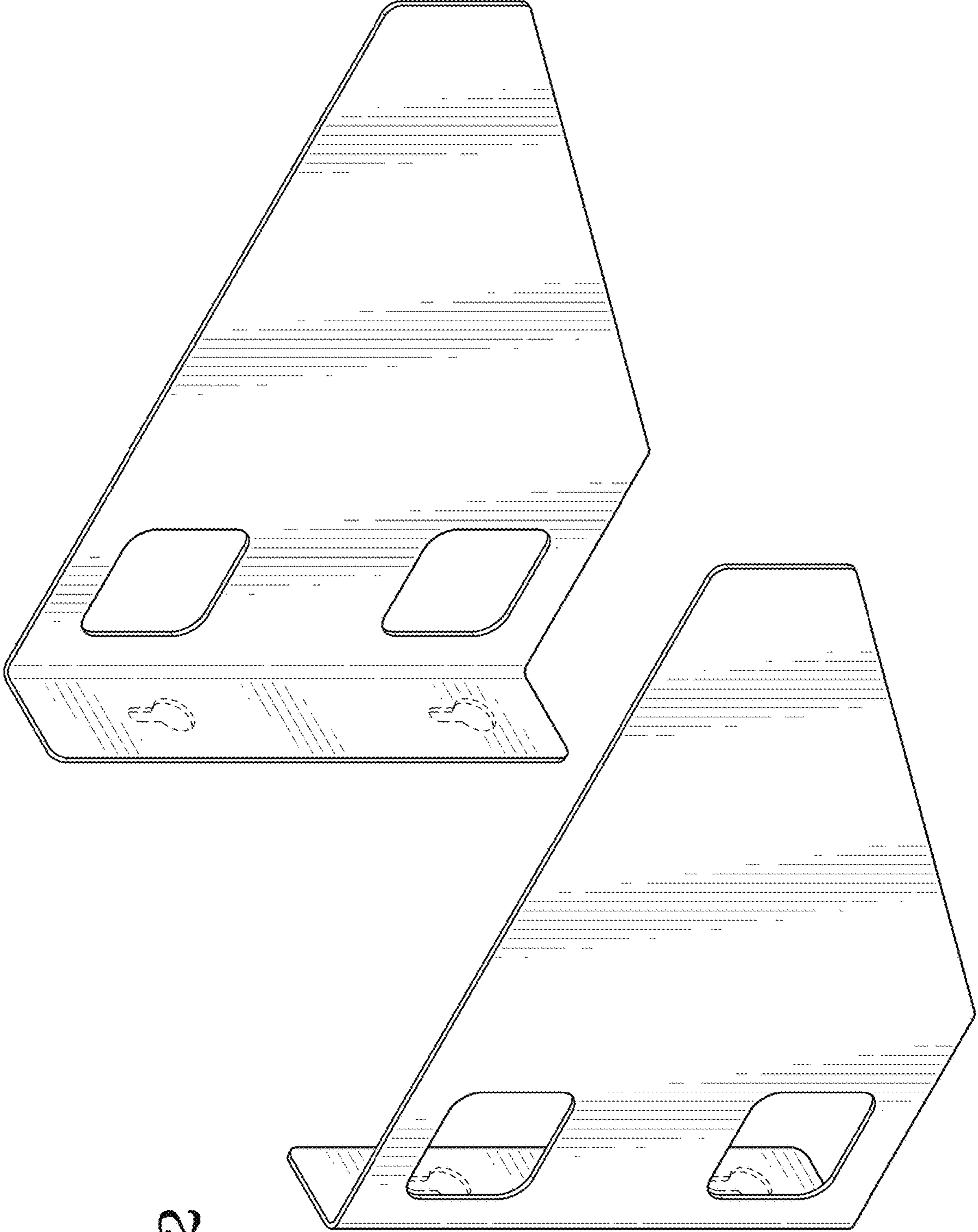


FIG. 2



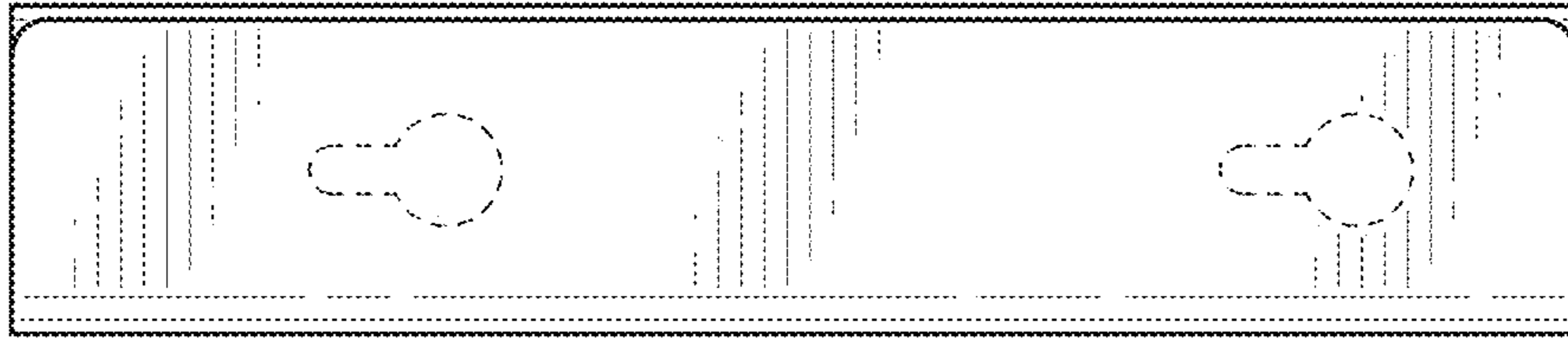


FIG. 3

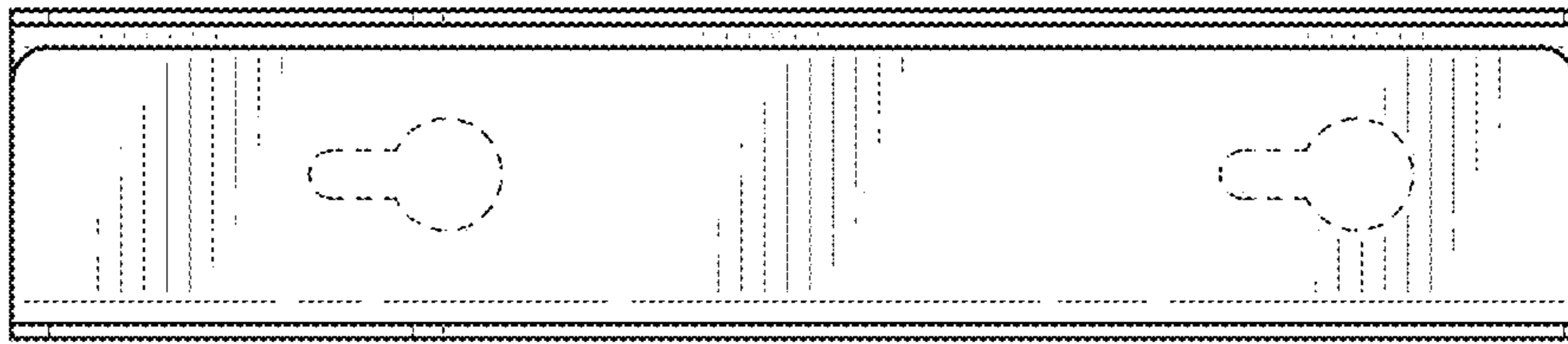


FIG. 4

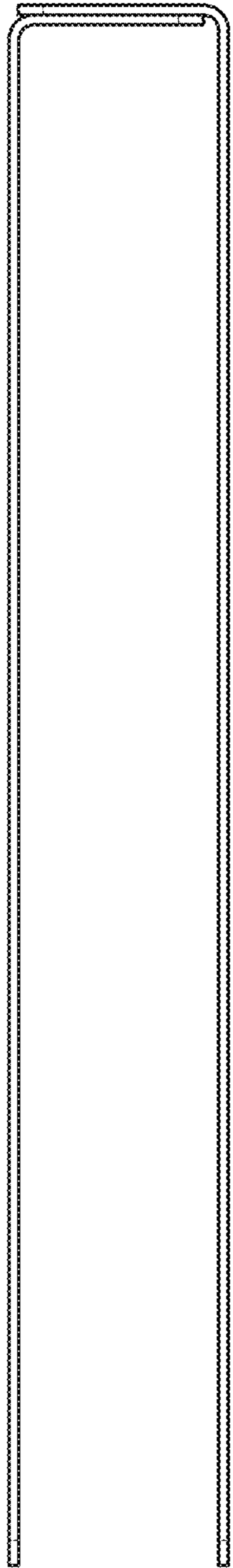


FIG. 5

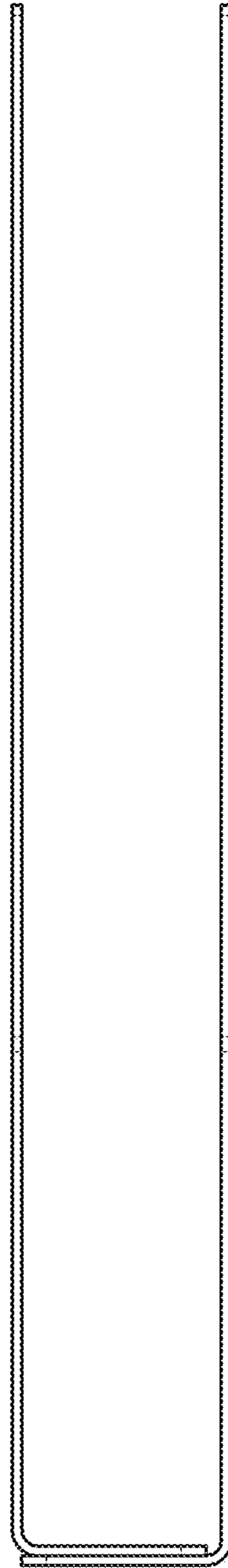


FIG. 6

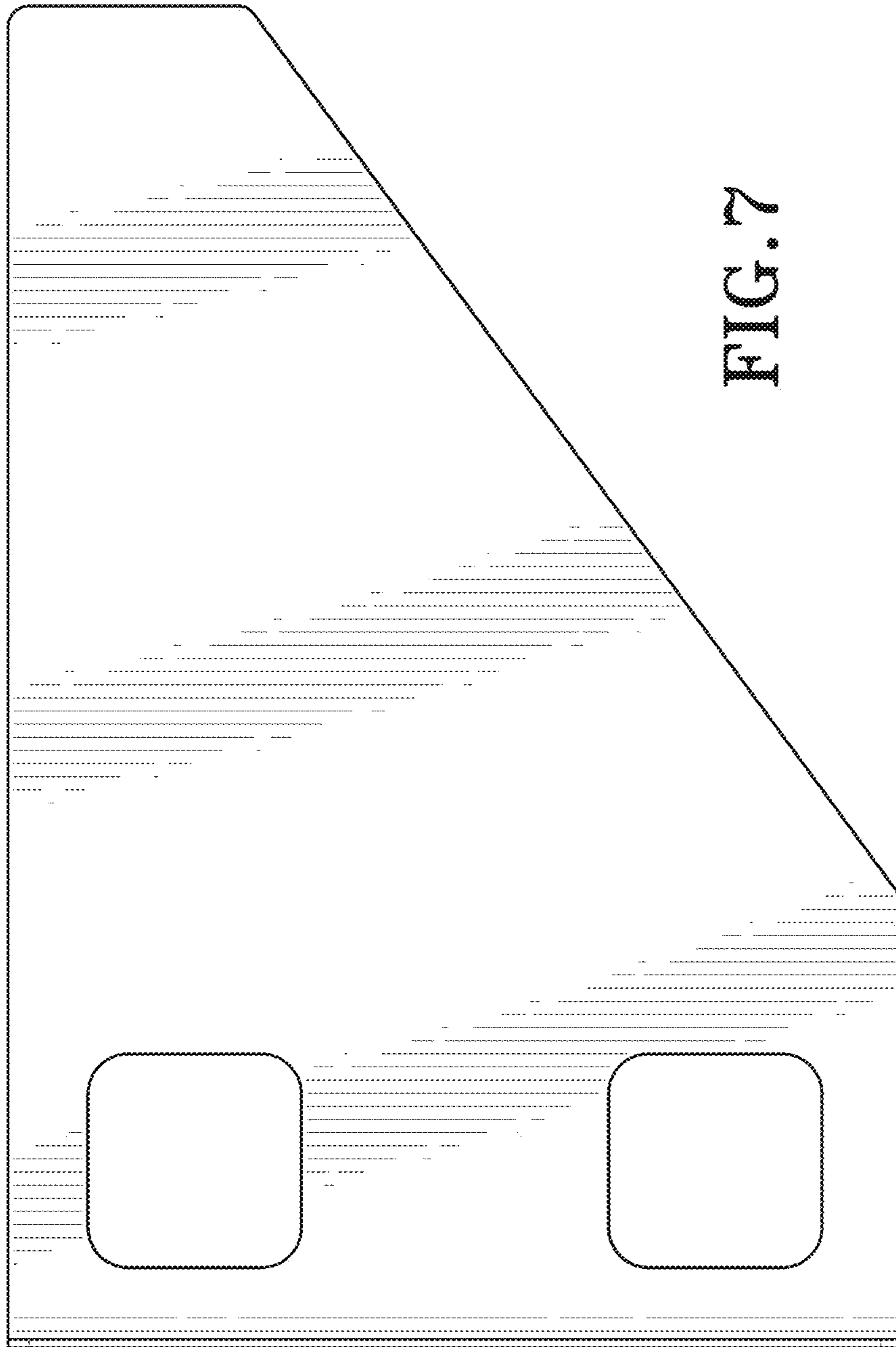


FIG. 7

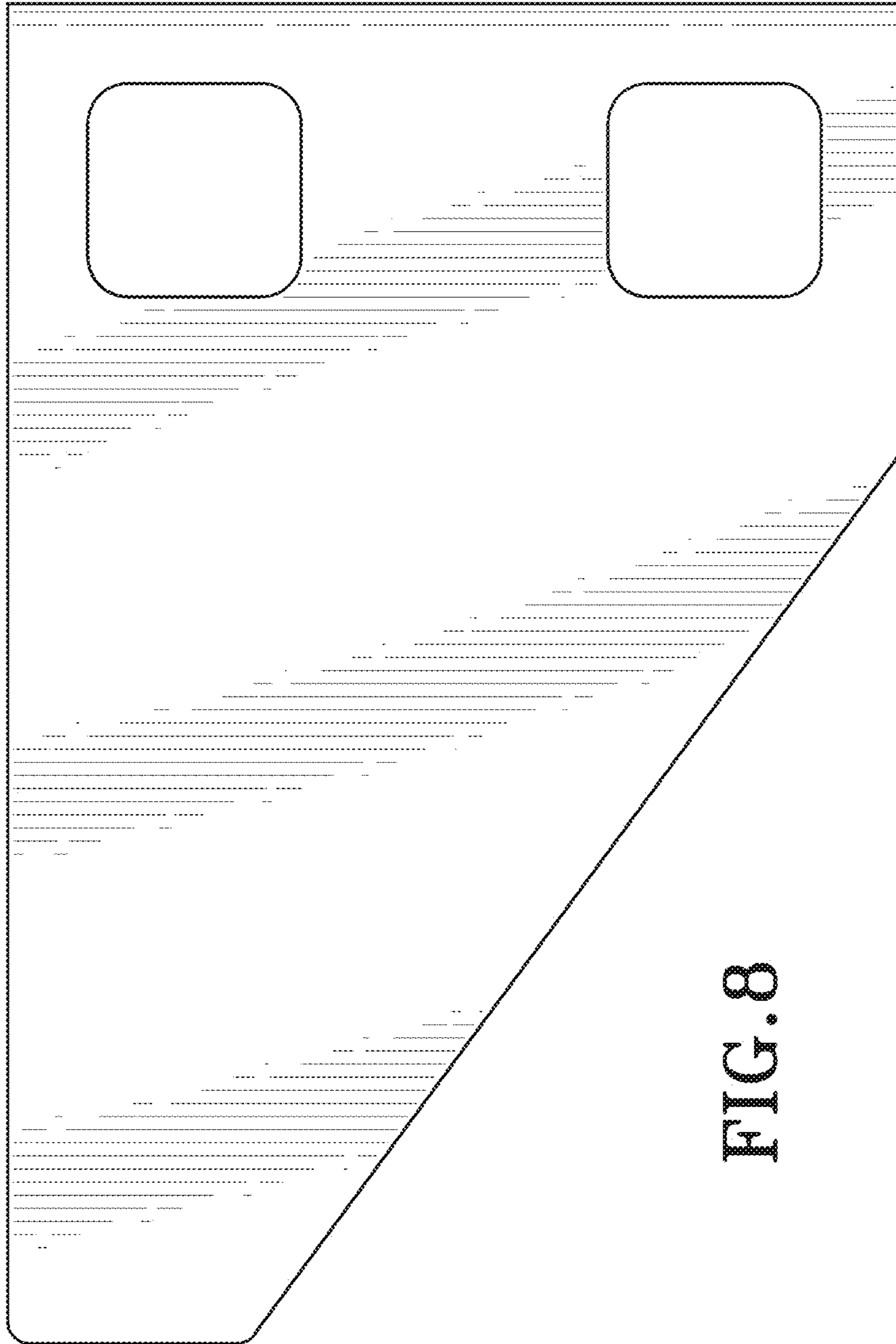


FIG. 8