



US00D890587S

(12) **United States Design Patent** (10) **Patent No.:** **US D890,587 S**
Ross (45) **Date of Patent:** **** Jul. 21, 2020**

(54) **BOTTLE OPENER**
(71) Applicant: **Zachary Dean Ross**, Oklahoma City, OK (US)
(72) Inventor: **Zachary Dean Ross**, Oklahoma City, OK (US)
(**) Term: **15 Years**
(21) Appl. No.: **29/659,353**
(22) Filed: **Aug. 8, 2018**
(51) **LOC (12) Cl.** **07-06**
(52) **U.S. Cl.**
USPC **D8/42**
(58) **Field of Classification Search**
USPC D8/18, 33-43
CPC .. B67B 7/06; B67B 7/066; B67B 7/12; B67B 7/16; B67B 7/18; B67B 7/20; B67B 7/24; B67B 7/30; B67B 7/34; B67B 2007/0458; B67B 2007/303
See application file for complete search history.

6,415,689 B2 * 7/2002 Castellani B67B 7/0423 81/3.36
6,732,611 B2 * 5/2004 Miguel B67B 7/0429 81/3.29
D530,180 S * 10/2006 Klecker D8/99
D543,432 S * 5/2007 Rivera D8/107
D595,103 S * 6/2009 Goodrich D8/99
D595,556 S * 7/2009 Goodrich D8/99
D691,008 S * 10/2013 Watson D8/34
8,726,764 B2 * 5/2014 Burato B67B 7/0423 81/3.47
8,887,598 B1 * 11/2014 Oakley B67B 7/0423 81/3.09
D728,335 S * 5/2015 Watson D8/42
9,283,684 B2 * 3/2016 Brucart-Puig B26B 1/08
D763,652 S * 8/2016 Mihailides D22/118

(Continued)

Primary Examiner — Elizabeth A. Albert
(74) *Attorney, Agent, or Firm* — Dunlap Coddling, P.C.

(57) **CLAIM**

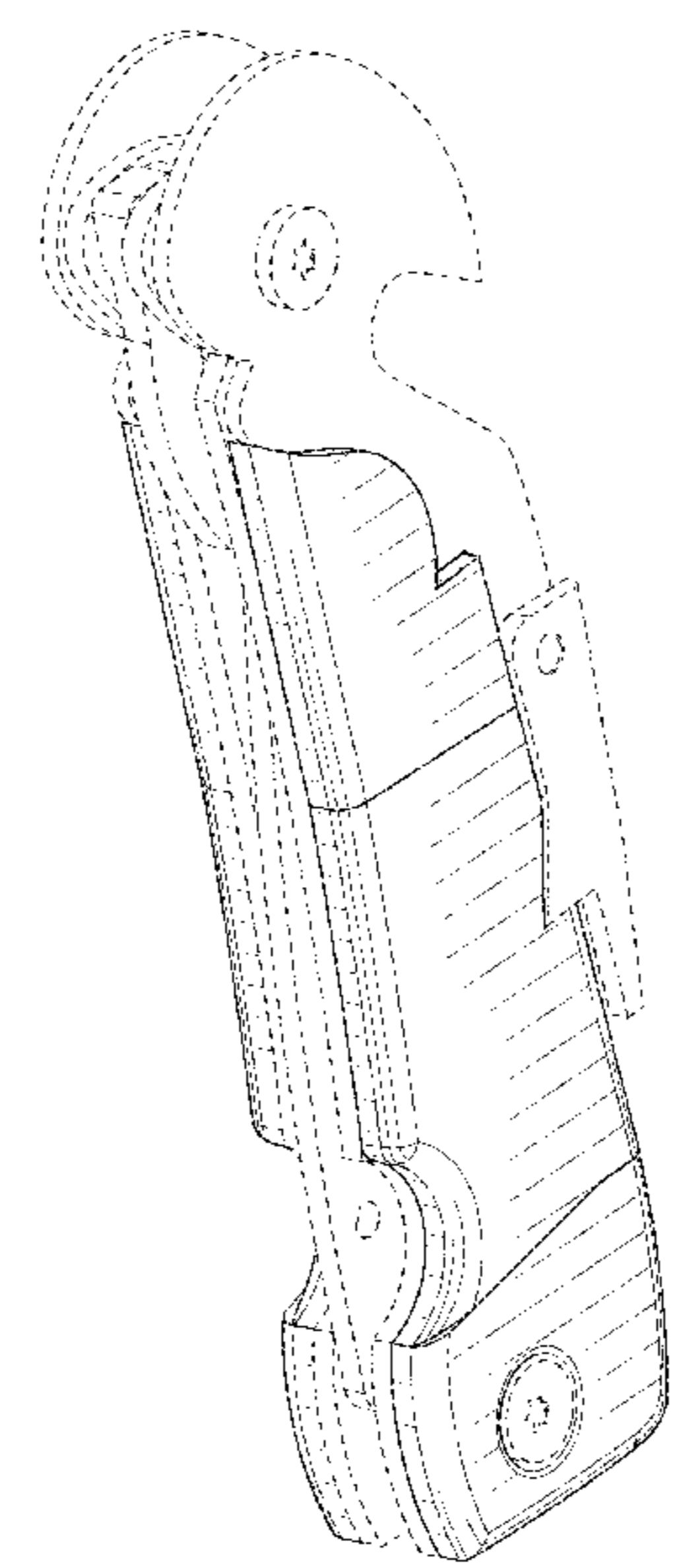
The ornamental design for a bottle opener, as shown and described.

DESCRIPTION

FIG. 1 is a perspective view of a bottle opener showing my new design.
FIG. 2 is a right elevational view thereof.
FIG. 3 is a left elevational view thereof.
FIG. 4 is a front elevational view thereof.
FIG. 5 is a rear elevational view thereof.
FIG. 6 is a top plan view thereof.
FIG. 7 is a bottom plan view thereof.
FIG. 8 is a perspective view of the bottle opener of FIG. 1 shown in an open position.
FIG. 9 is a rear elevational view thereof; and,
FIG. 10 is a top plan view thereof.
The broken lines illustrate portions of the bottle opener and form no part of the claimed design.

1 Claim, 7 Drawing Sheets

(56) **References Cited**
U.S. PATENT DOCUMENTS
455,826 A * 7/1891 Davis B67B 7/0423 7/155
3,451,076 A * 6/1969 Deaver B67B 7/0423 7/118
5,007,310 A * 4/1991 Cellini B67B 7/0423 7/155
D347,775 S * 6/1994 Seiler D8/34
D374,801 S * 10/1996 Puig D8/42
D385,763 S * 11/1997 Trivellato D8/43
5,829,965 A * 11/1998 Rubalcava F23Q 2/32 431/253
D416,773 S * 11/1999 Cellini D8/34
5,992,269 A * 11/1999 Puig B67B 7/0429 81/3.35
6,116,116 A * 9/2000 Brucart Puig B67B 7/0429 81/3.09



(56)

References Cited

U.S. PATENT DOCUMENTS

D811,839 S * 3/2018 Lippert D8/43
D848,804 S * 5/2019 Averill D8/43
D850,875 S * 6/2019 Weismiller D8/41
2002/0157188 A1* 10/2002 Sannajust B67B 7/0423
7/156
2003/0140733 A1* 7/2003 Miguel B67B 7/0429
81/3.29
2009/0301261 A1* 12/2009 Cellini B67B 7/04
81/3.45
2011/0185859 A1* 8/2011 Brucart-Puig B67B 7/0429
81/3.45
2011/0252924 A1* 10/2011 Federighi B67B 7/0423
81/3.45
2013/0319179 A1* 12/2013 Colman B26B 11/00
81/3.09
2017/0283230 A1* 10/2017 Lamarra B67B 7/0423

* cited by examiner

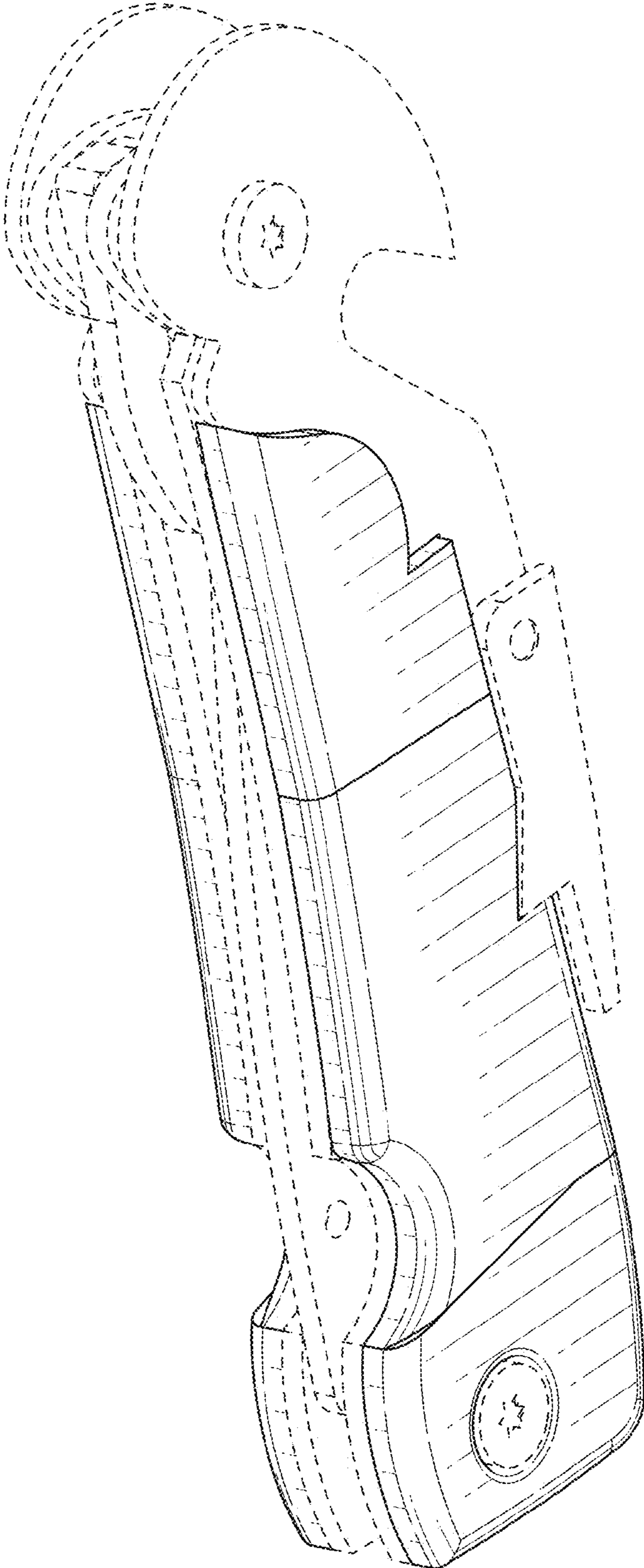


FIG. 1

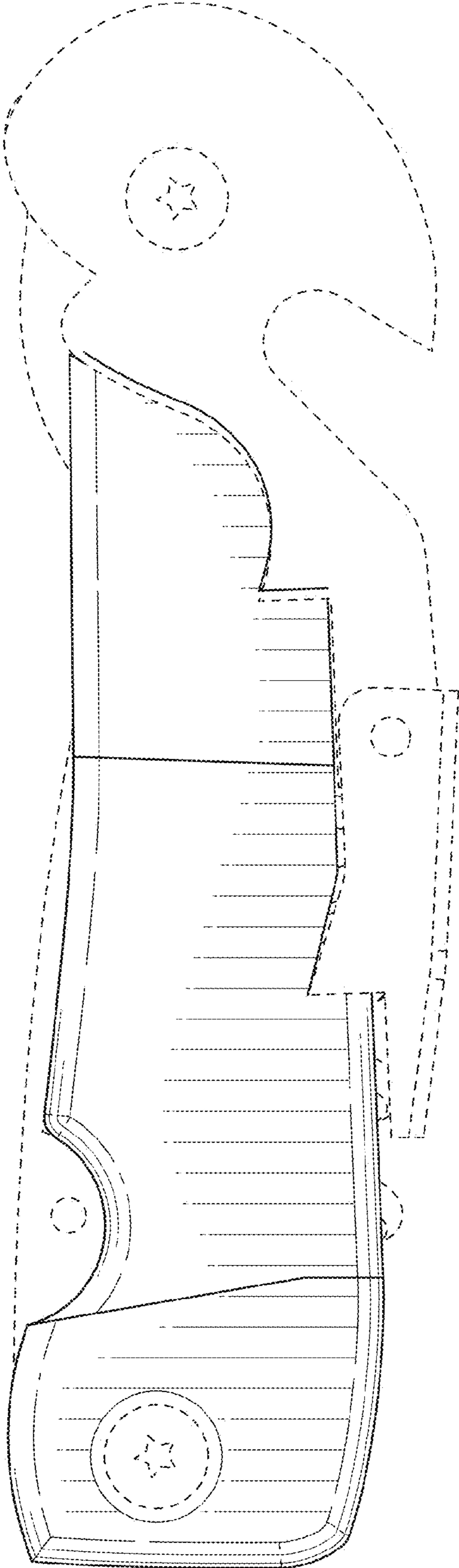


FIG. 2

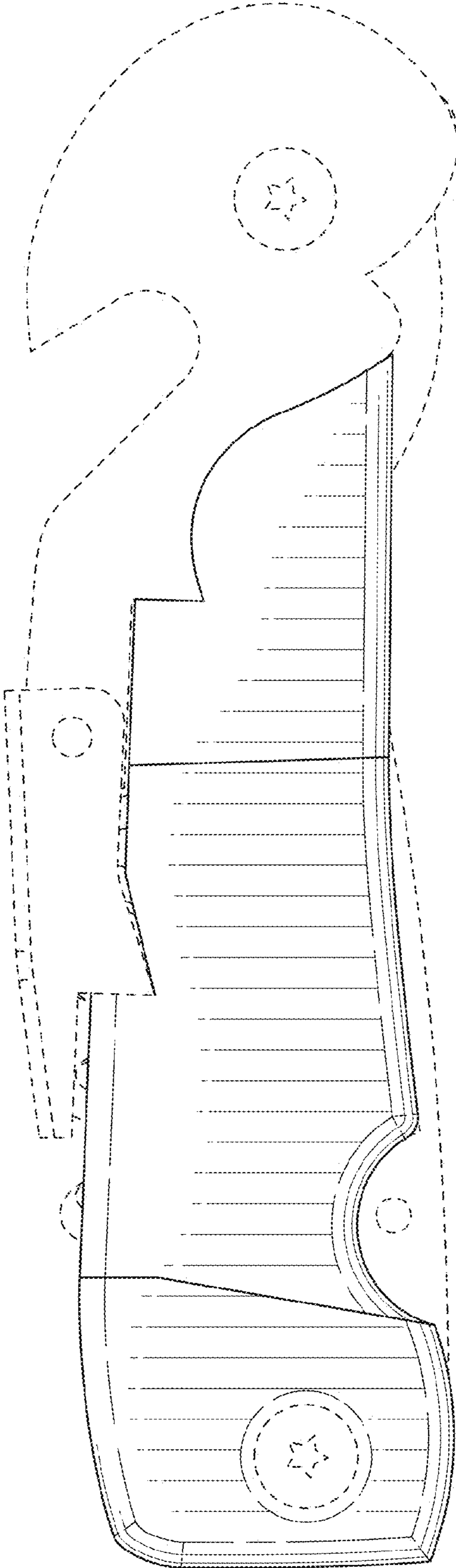


FIG. 3

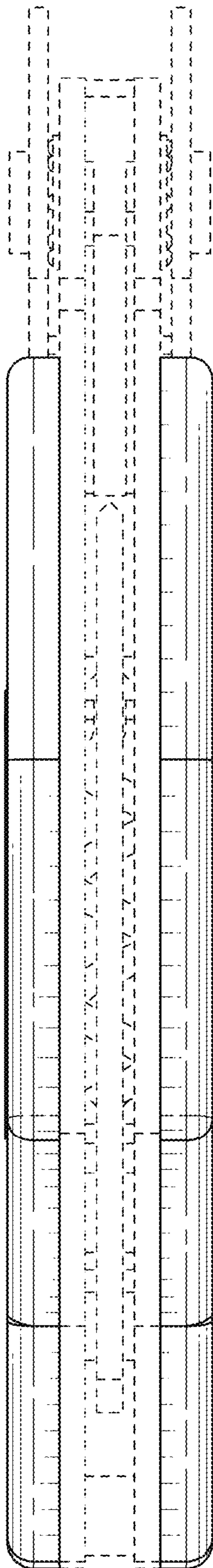


FIG. 4

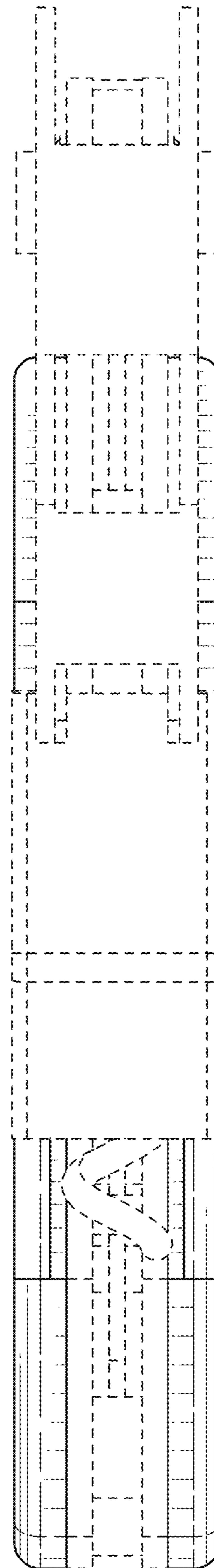


FIG. 5

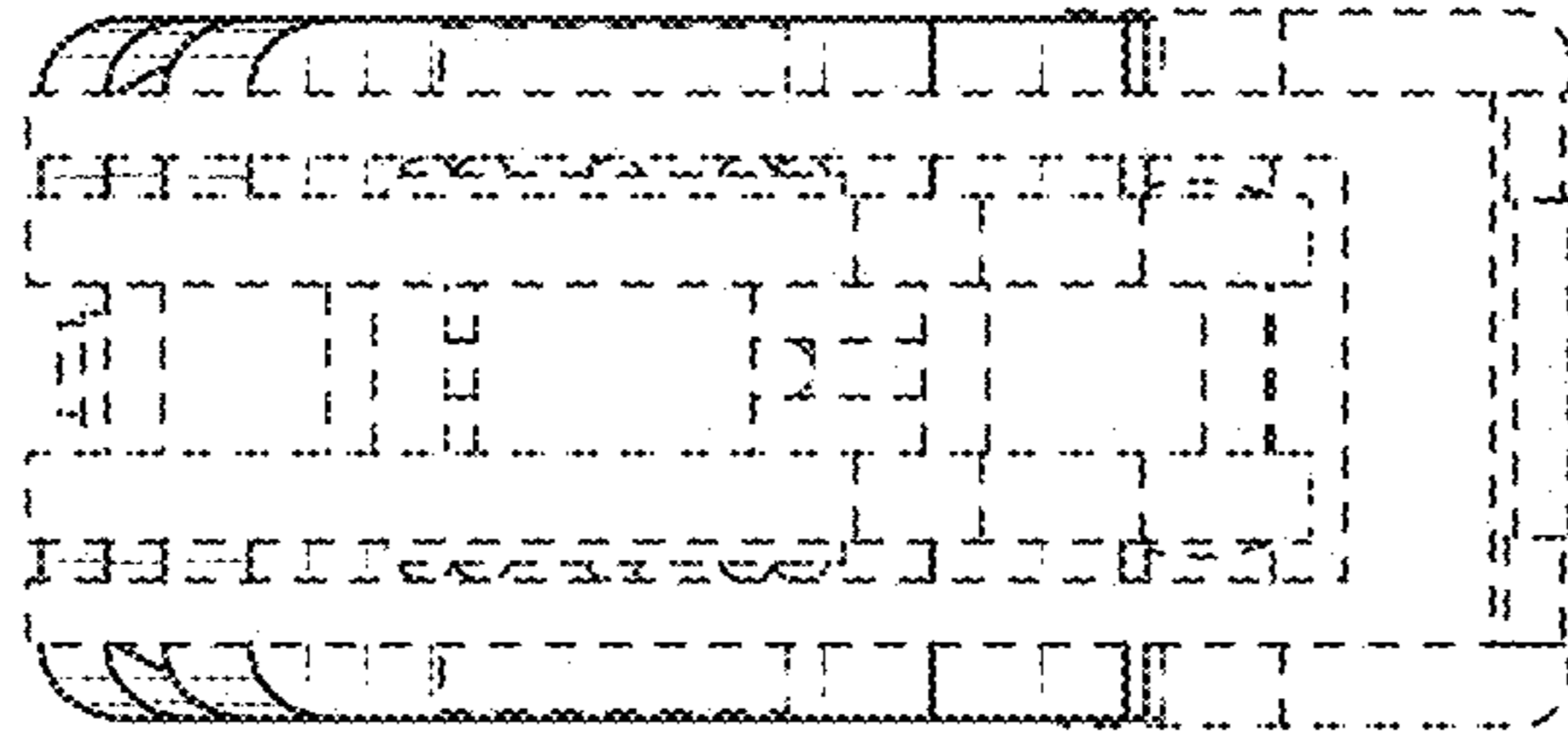


FIG. 6

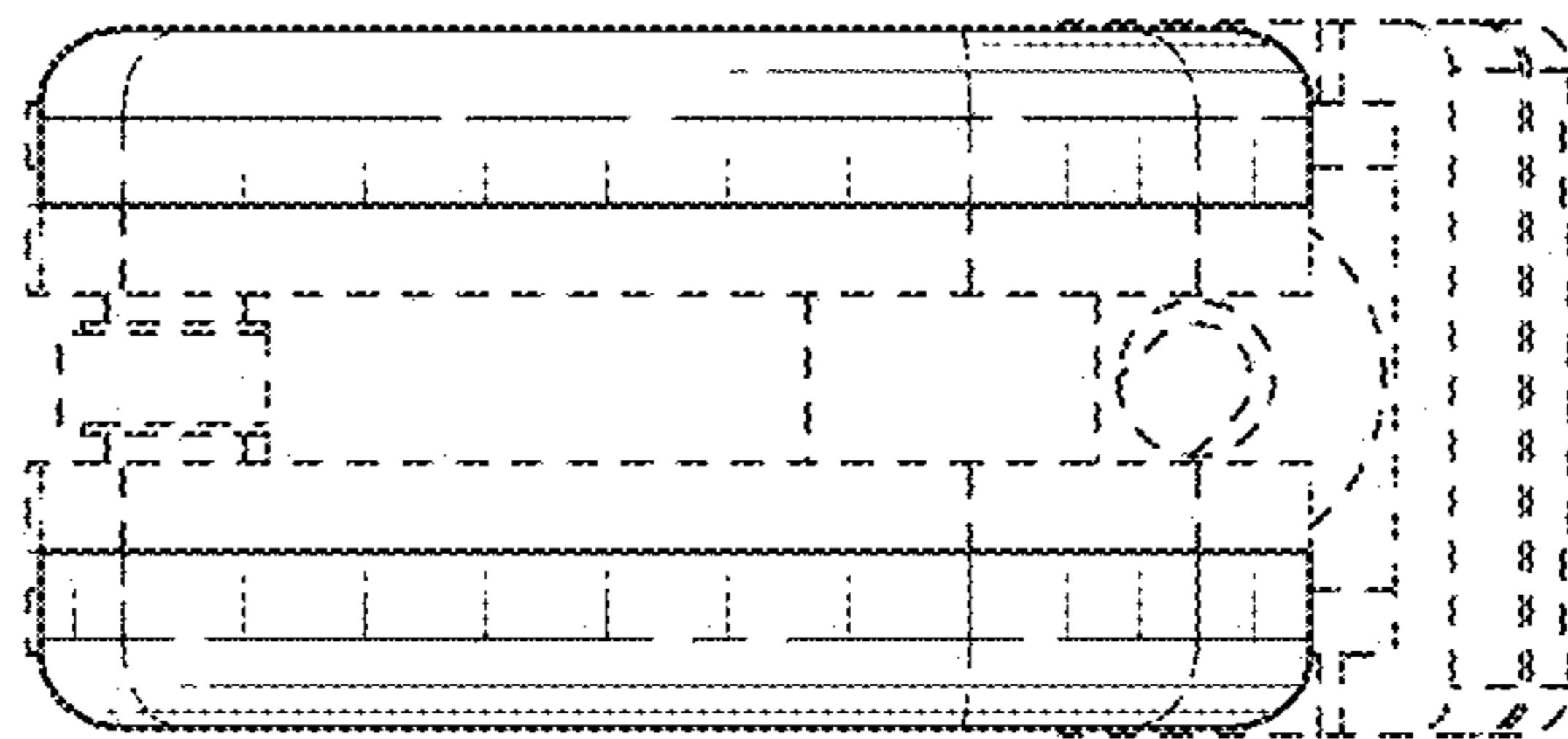


FIG. 7

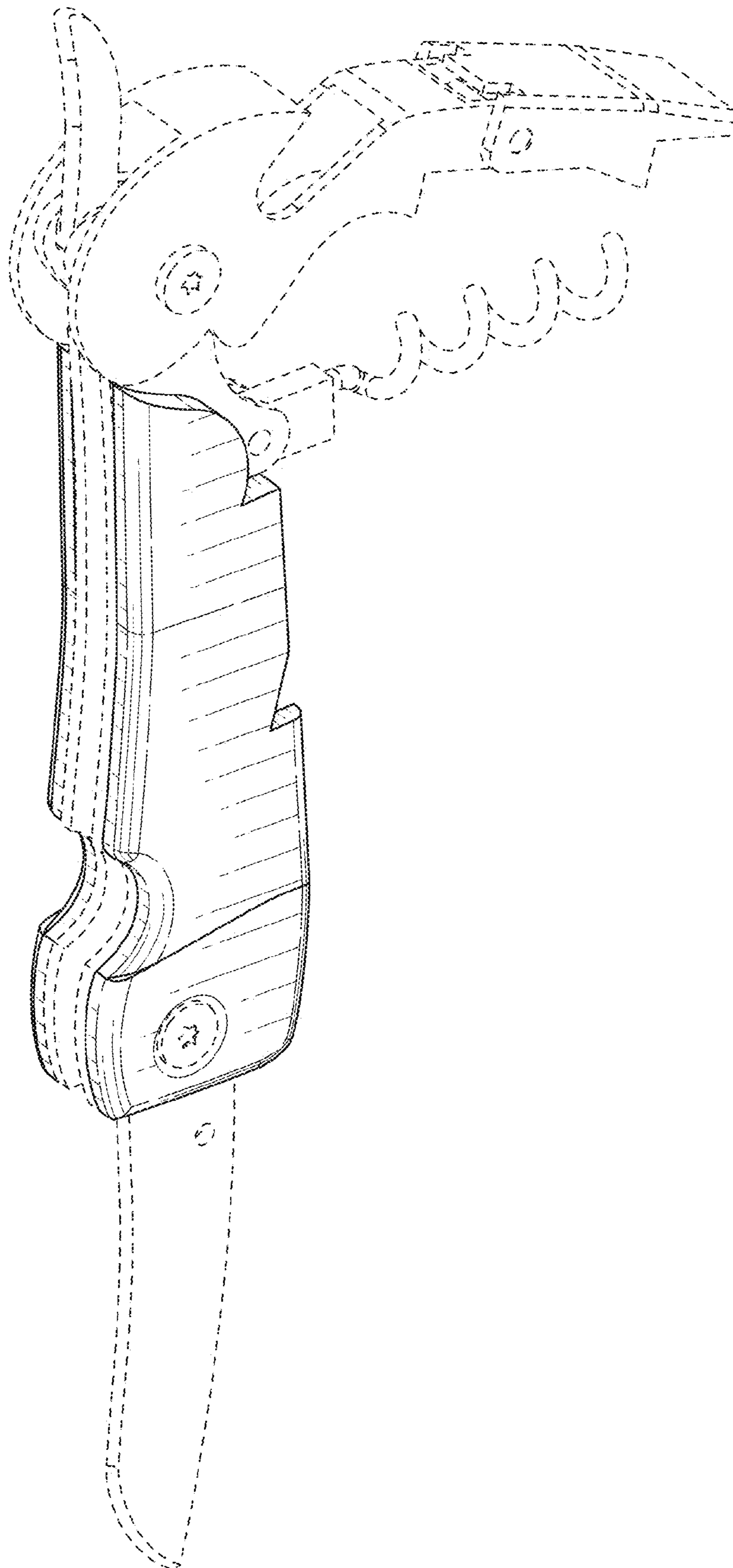


FIG. 8

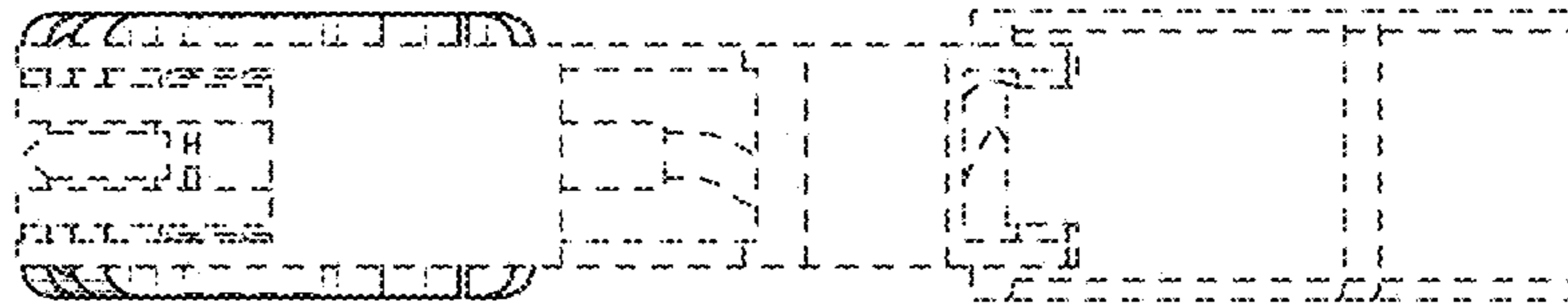
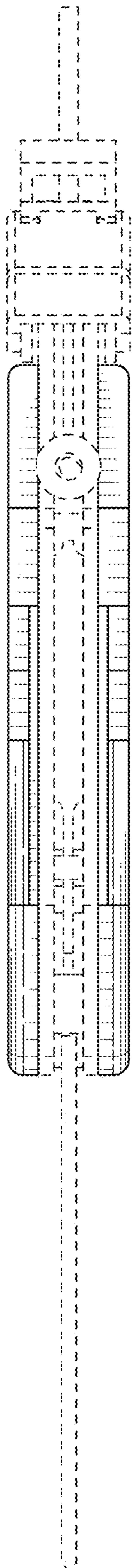


FIG. 10

FIG. 9