



US00D890586S

(12) **United States Design Patent**
Albertson

(10) **Patent No.:** **US D890,586 S**
(45) **Date of Patent:** **** Jul. 21, 2020**

(54) **COMBINED SOCKET WRENCH AND
MAGNET SOCKET HOLDER**

(71) Applicant: **Robert V. Albertson**, Mound, MN (US)

(72) Inventor: **Robert V. Albertson**, Mound, MN (US)

(73) Assignee: **ALBERTSON ENTERPRISES, LLC**,
Spring Park, MN (US)

(**) Term: **15 Years**

(21) Appl. No.: **29/646,961**

(22) Filed: **May 8, 2018**

(51) **LOC (12) Cl.** **08-05**

(52) **U.S. Cl.**
USPC **D8/25**

(58) **Field of Classification Search**
USPC D8/17, 21-29; 81/58, 58.2, 119, 124.4,
81/125.1, 186, 121.1, 60, 63.1
CPC B25B 13/02; B25B 13/08; B25B 13/04;
B25B 13/065; B25B 13/46; B25B 13/463
See application file for complete search history.

(56) **References Cited**

U.S. PATENT DOCUMENTS

3,208,318	A	9/1965	Roberts
D336,225	S	6/1993	Lin
D340,628	S	10/1993	Chow
5,259,278	A	11/1993	Leas
5,603,248	A	2/1997	Eggert et al.
5,970,825	A	10/1999	Barnet et al.
6,067,881	A	5/2000	Albertson
6,276,239	B1	8/2001	Albertson
6,431,031	B1	8/2002	Hu

(Continued)

Primary Examiner — Michael A. Pratt

(74) *Attorney, Agent, or Firm* — Richard John Bartz

(57) **CLAIM**

The ornamental design for a combined socket wrench and magnet socket holder, as shown and described.

DESCRIPTION

The patent or patent application contains at least one drawing executed in color. Copies of this patent or patent application publication with color drawing(s) will be proved by the Office upon request and payment of the necessary fee. FIG. 1 is a front elevational view of a first embodiment of the combined socket wrench and magnet socket holder of my design;

FIG. 2 is a left side view thereof;

FIG. 3 is a right side view thereof;

FIG. 4 is a rear elevational view thereof;

FIG. 5 is a top plan view thereof;

FIG. 6 is a bottom plan view thereof;

FIG. 7 is a sectional view taken along line 7-7 of FIG. 5;

FIG. 8 is a sectional view of a sectional view taken along line 8-8 of FIG. 7;

FIG. 9 is a front elevational view of a second embodiment of the combined socket wrench and magnet socket holder of my design;

FIG. 10 is a left side view of FIG. 9;

FIG. 11 is a right side view of FIG. 9;

FIG. 12 is a rear elevational view of FIG. 9;

FIG. 13 is a top plan view of FIG. 9;

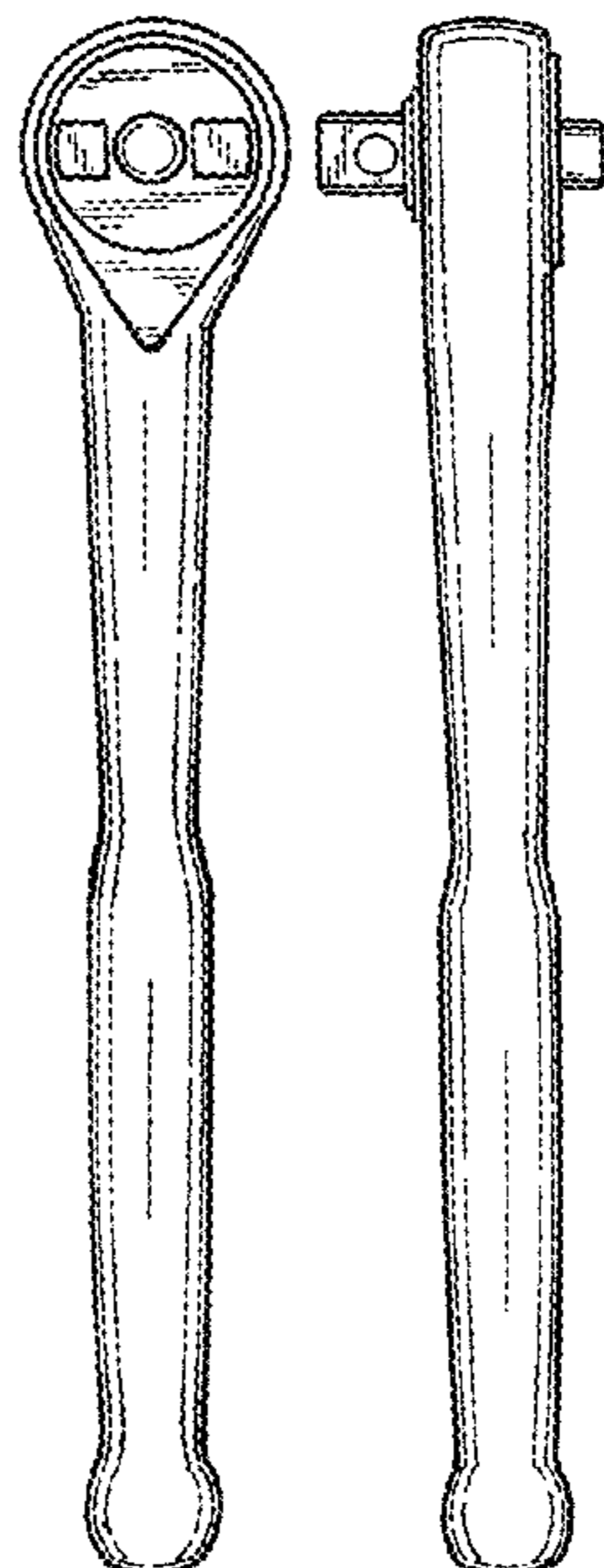
FIG. 14 is a bottom plan view of FIG. 9;

FIG. 15 is a sectional view taken along line 15-15 of FIG. 13; and,

FIG. 16 is a sectional view taken along line 16-16 of FIG. 15.

The combined socket wrench and magnet socket holders shown in FIGS. 9 to 16 include the color gold. The outer surfaces of the socket wrench have a coating of titanium nitride.

1 Claim, 4 Drawing Sheets
(2 of 4 Drawing Sheet(s) Filed in Color)



(56)

References Cited

U.S. PATENT DOCUMENTS

6,457,387	B1	10/2002	Hu	
6,516,688	B2	2/2003	Albertson	
D521,824	S	5/2006	Albertson et al.	
D529,778	S *	10/2006	Albertson	D8/70
7,353,735	B2	4/2008	Patel	
8,205,529	B1 *	6/2012	Laurie	B25B 13/463 81/177.85
D670,974	S	11/2012	Albertson	
D687,689	S *	8/2013	Lai	D8/25
8,904,907	B2	12/2014	Douglas	

* cited by examiner

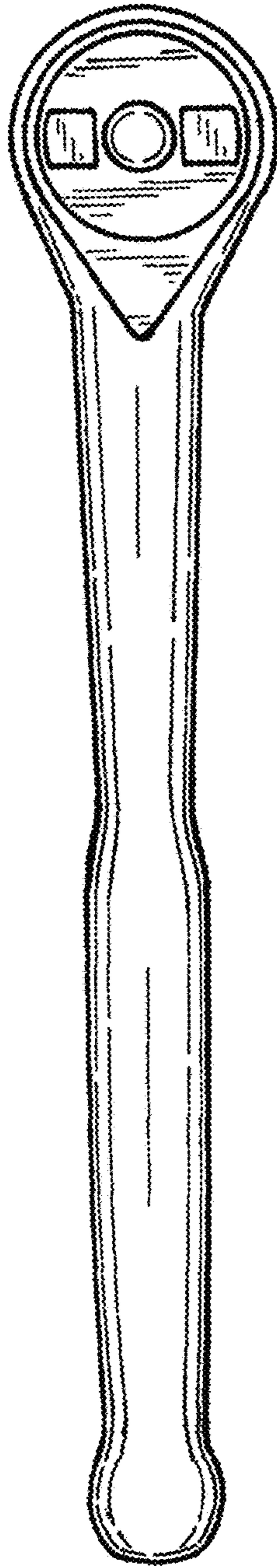


FIG.1

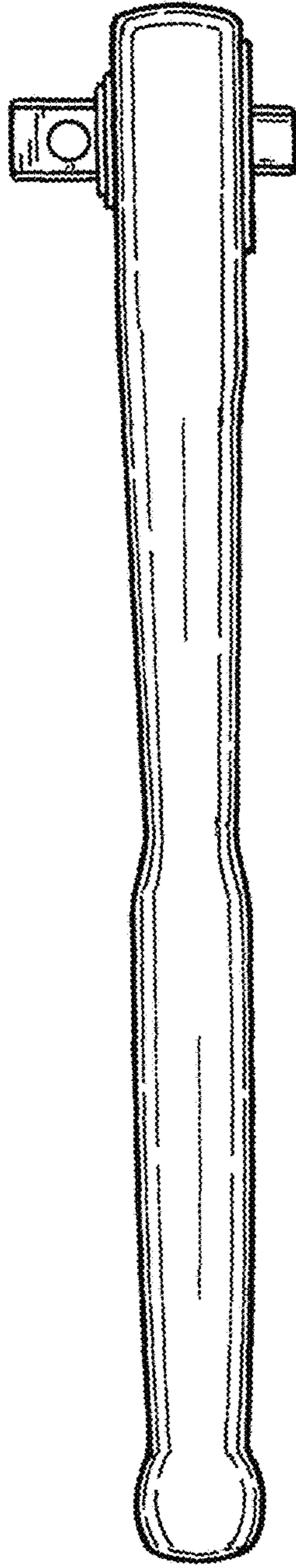


FIG.2

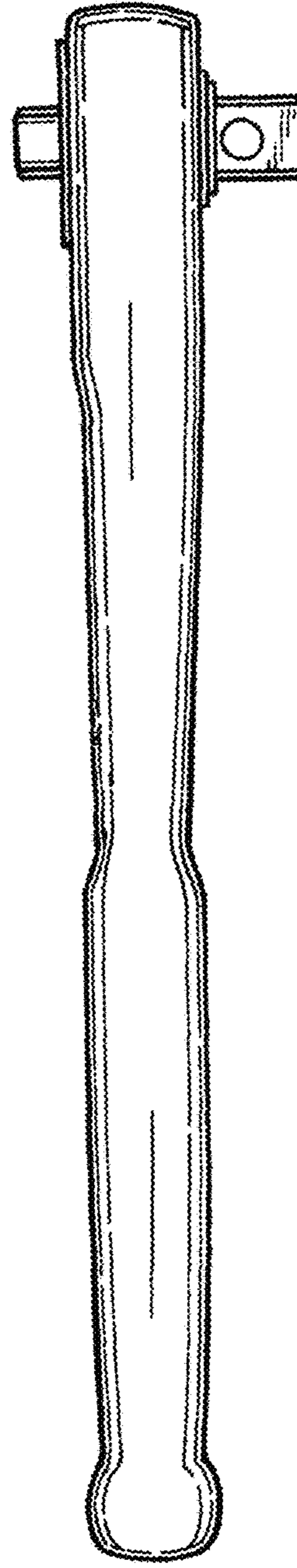


FIG.3

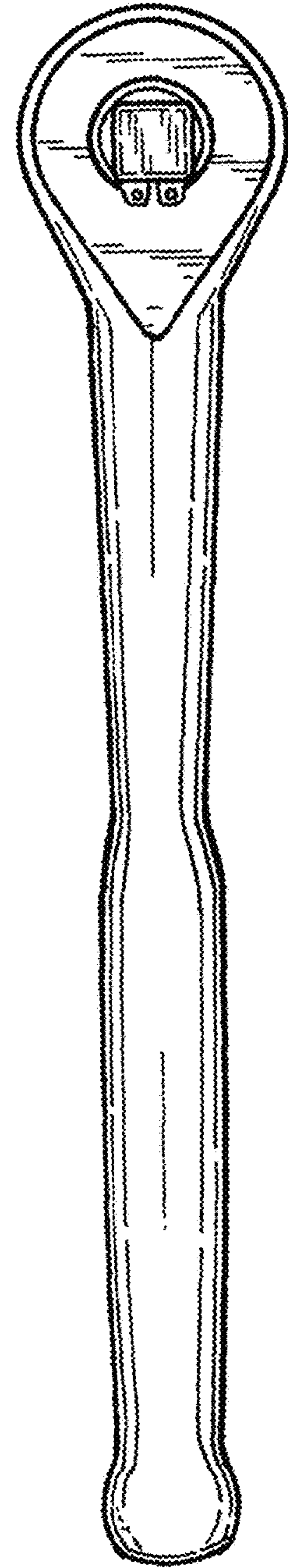


FIG.4

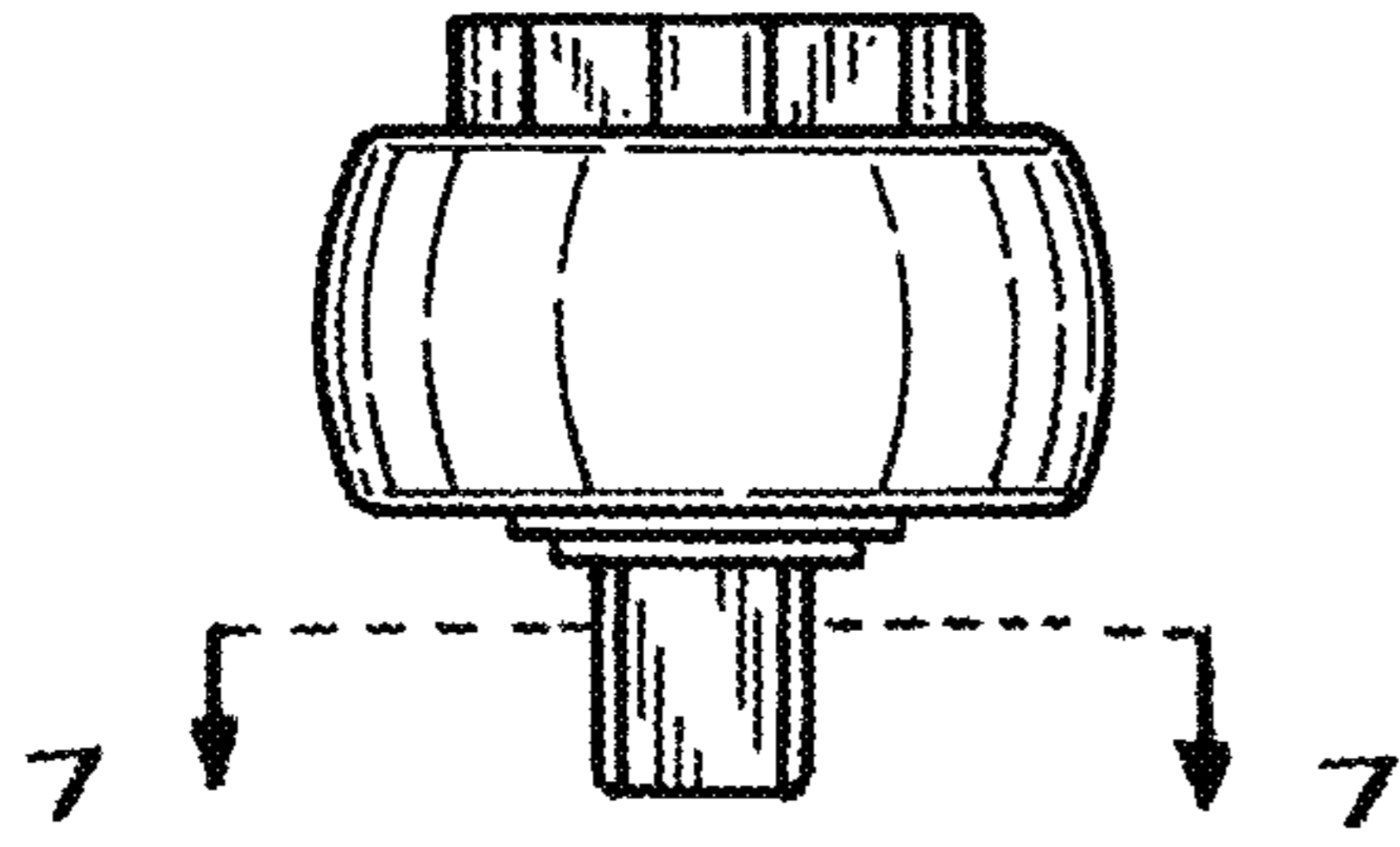


FIG.5

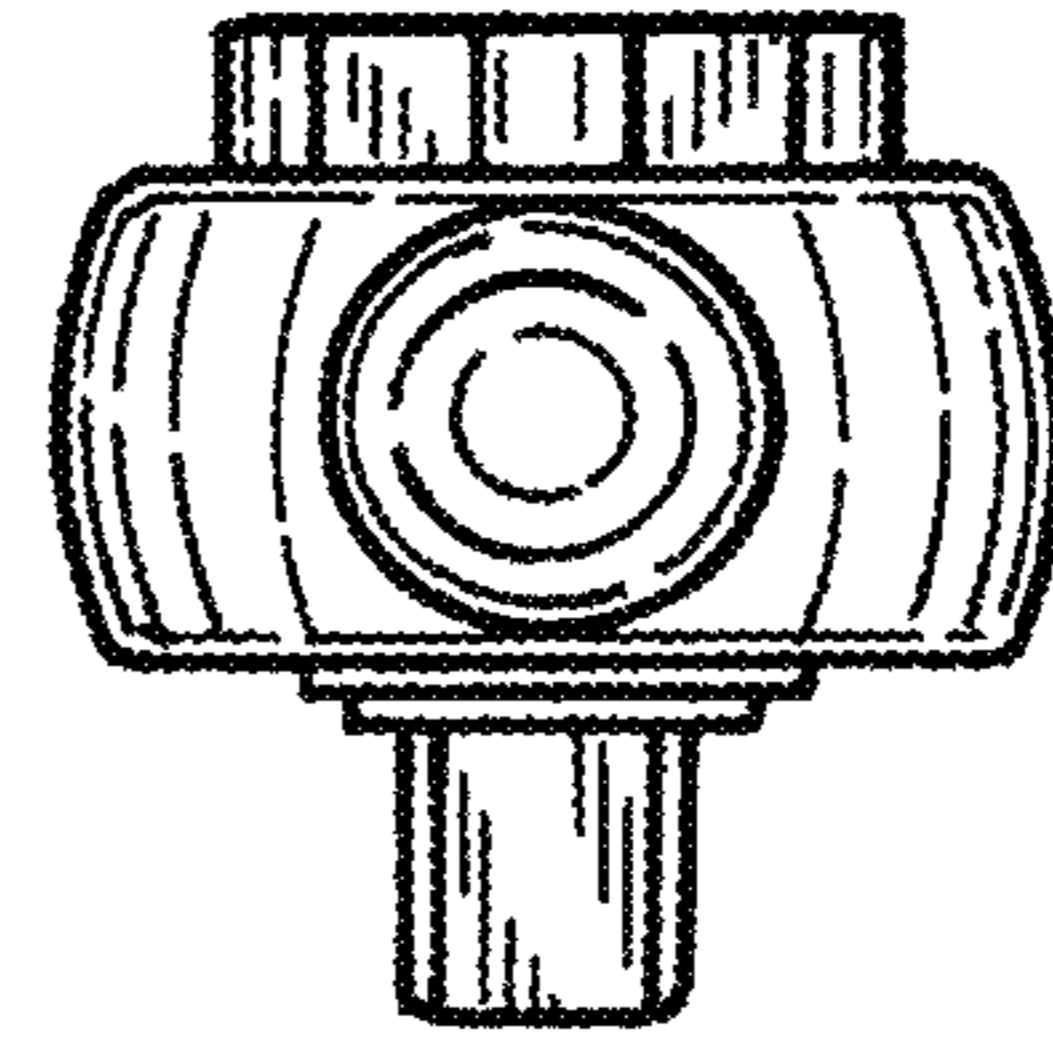


FIG.6

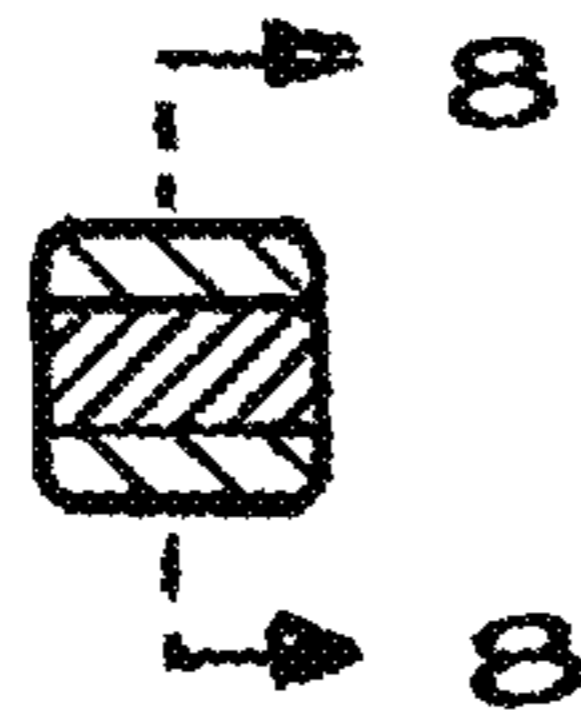


FIG.7



FIG.8

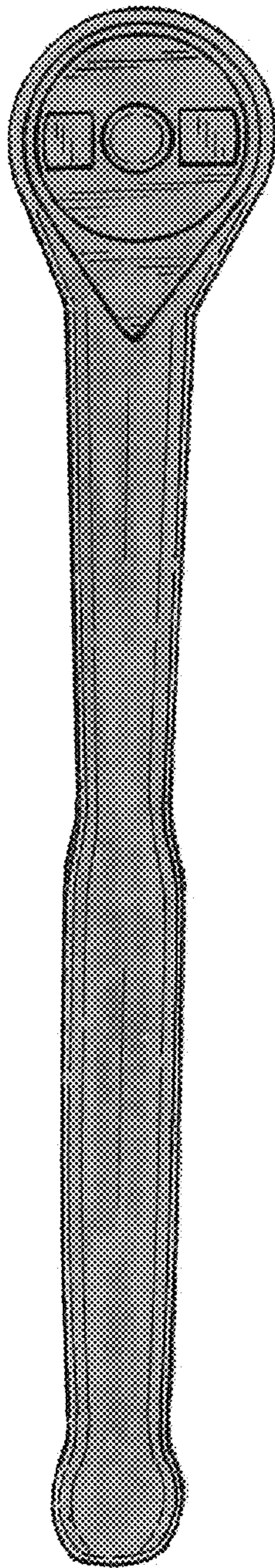


FIG. 9

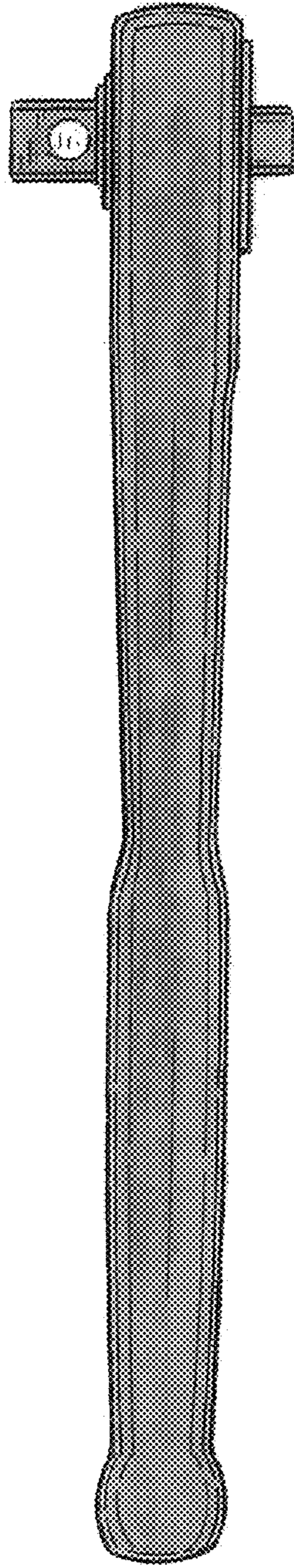


FIG. 10

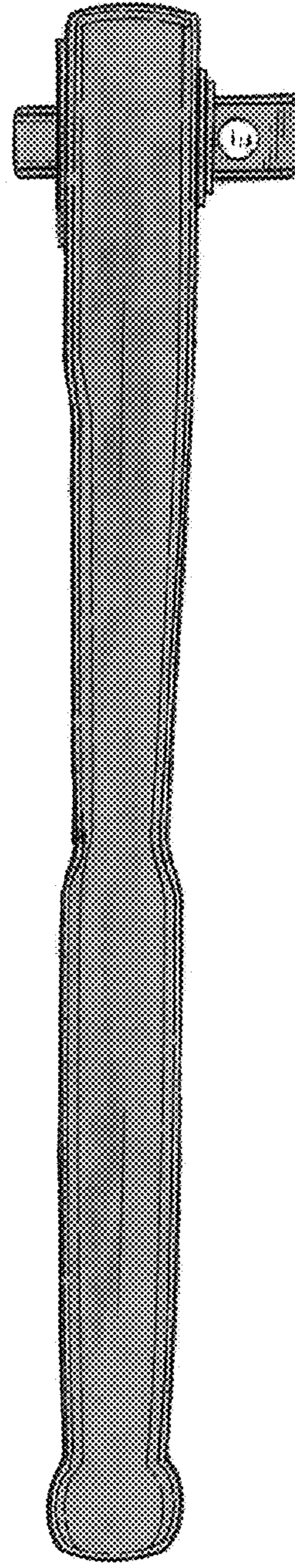


FIG. 11

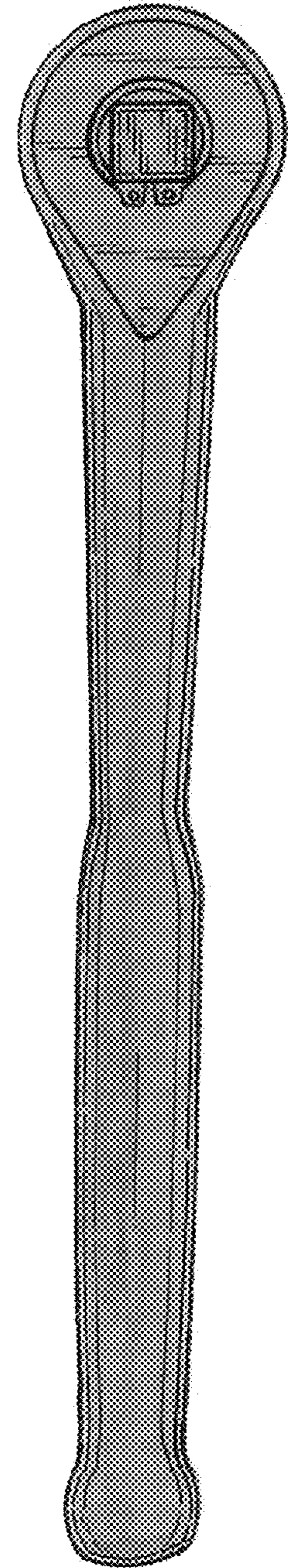


FIG. 12

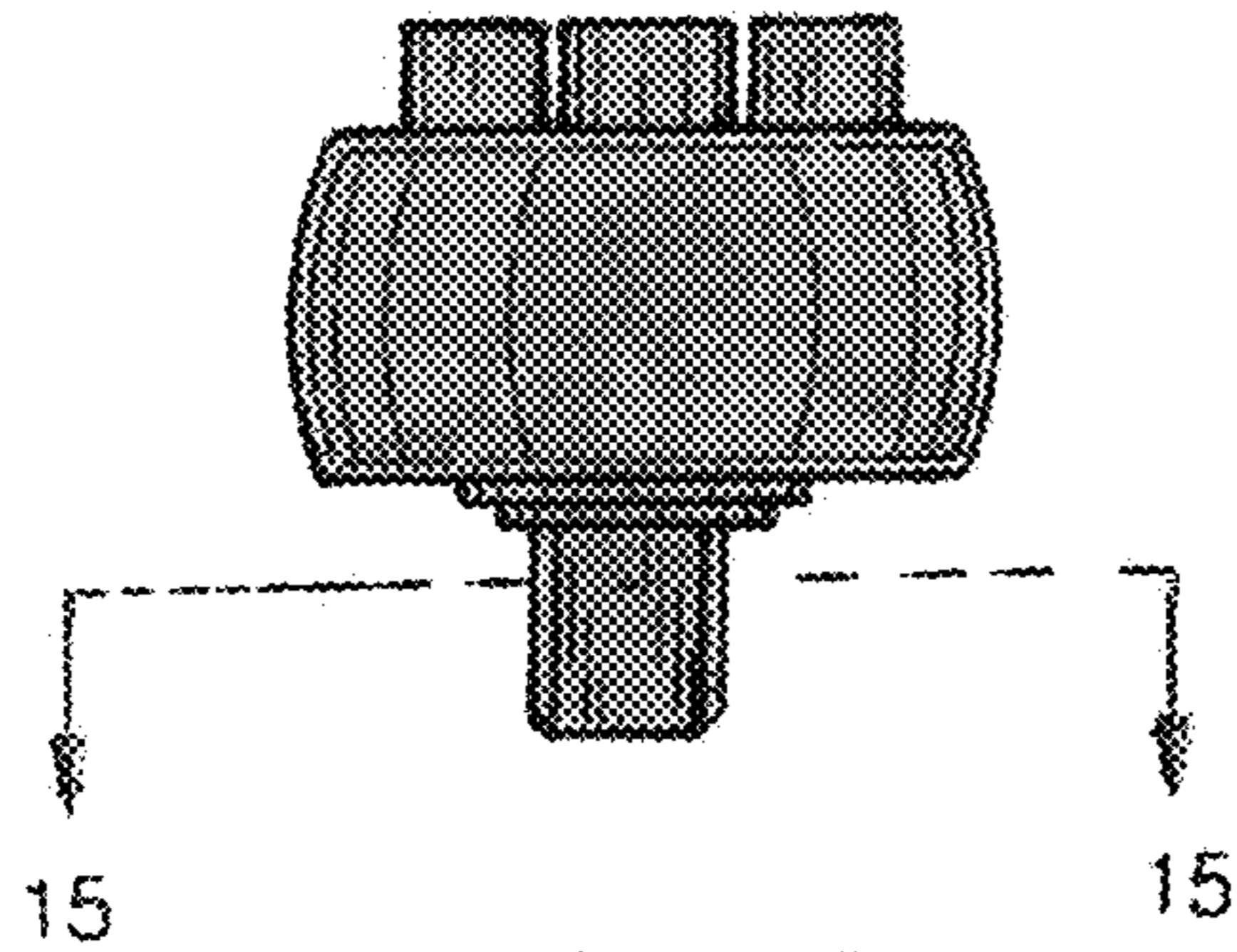


FIG. 13

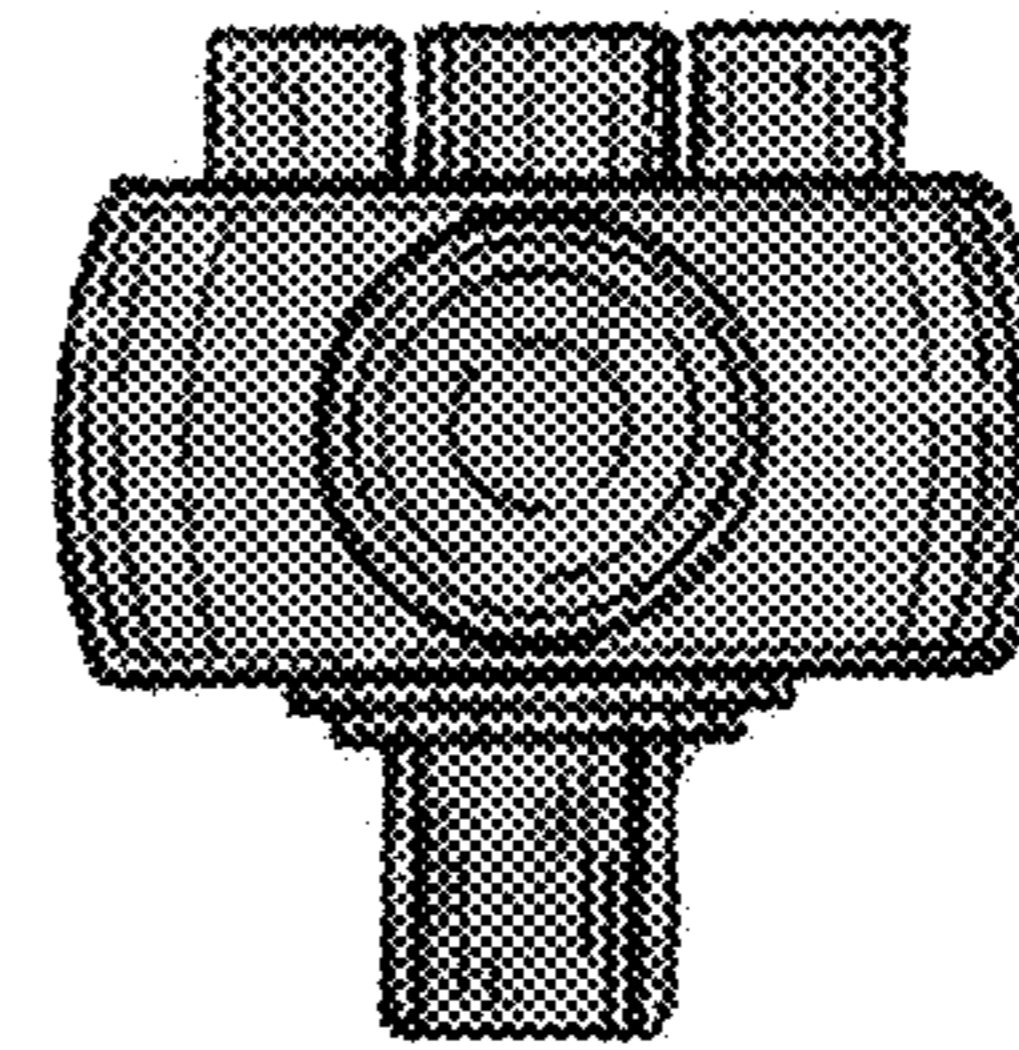


FIG. 14

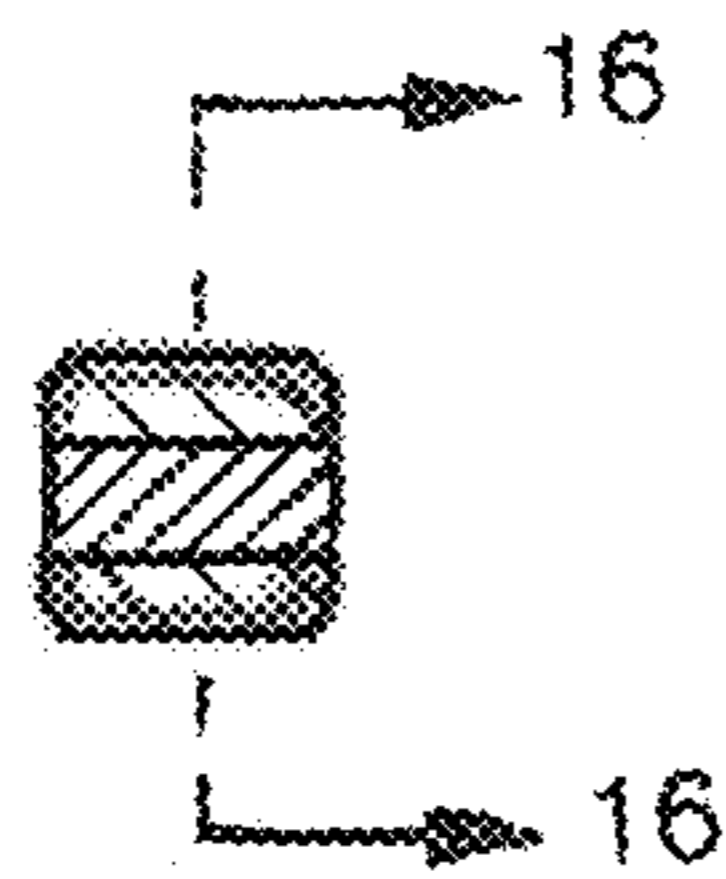


FIG. 15



FIG. 16