

US00D890584S

(12) **United States Design Patent** (10) **Patent No.:** **US D890,584 S**  
**Roberts et al.** (45) **Date of Patent:** **\*\* Jul. 21, 2020**

(54) **LOPPER**

(71) Applicant: **Fiskars Brands, Inc.**, Middleton, WI (US)

(72) Inventors: **Colin Roberts**, Waunakee, WI (US);  
**Emery Weber**, Madison, WI (US);  
**Stephen Dechant**, Waunakee, WI (US);  
**James Meiller**, Fitchburg, WI (US)

(73) Assignee: **FISKARS FINLAND OY AB**, Helsinki (FI)

(\*\*) Term: **15 Years**

(21) Appl. No.: **29/639,333**

(22) Filed: **Mar. 6, 2018**

(51) **LOC (12) Cl.** ..... **08-01**

(52) **U.S. Cl.**  
USPC ..... **D8/4**

(58) **Field of Classification Search**  
USPC ... D8/1, 4, 5, 10, 51, 52, 53, 54, 55, 56, 58,  
D8/105, 107  
CPC ..... B26B 13/00; B26B 13/06; B26B 13/08;  
B26B 13/12; B26B 13/14; B26B 13/16;  
B26B 13/20; B26B 13/26; B26B 13/28;  
B26B 17/00; A01G 3/00; A01G 3/02;  
A01G 3/021; A01G 3/025; A01G 3/0251;  
A01G 3/0475  
See application file for complete search history.

(56) **References Cited**

U.S. PATENT DOCUMENTS

D206,483 S	12/1966	Sharp	
3,372,478 A	3/1968	Wallace et al.	
4,078,307 A *	3/1978	Zavala .....	B25B 7/00 30/271
D252,495 S	7/1979	Breger	
4,422,240 A	12/1983	Wallace et al.	

5,325,591 A *	7/1994	Orthey .....	A01G 3/0251 30/250
5,592,743 A	1/1997	Labarre et al.	
D378,798 S	4/1997	Berti	
6,493,943 B1	12/2002	Linden	
D494,027 S *	8/2004	Lin .....	D8/5
D494,430 S *	8/2004	Lin .....	D8/5
6,789,324 B2	9/2004	Linden et al.	
7,089,625 B2	8/2006	Linden et al.	
D581,766 S	12/2008	Heneen	
D621,743 S	8/2010	Hortnagl	
D638,676 S *	5/2011	Huang .....	D8/5
8,046,924 B2	11/2011	Block et al.	
8,136,252 B2	3/2012	Linden et al.	
D679,559 S	4/2013	Masalin et al.	
D684,828 S	6/2013	Masalin et al.	
D691,004 S	10/2013	Masalin et al.	
D691,446 S	10/2013	Haythornthwaite	
D693,192 S	11/2013	Masalin et al.	
D704,520 S	5/2014	Lyytikainen et al.	
D715,114 S	10/2014	Lyytikainen et al.	

(Continued)

*Primary Examiner* — Sandra S Snapp  
*Assistant Examiner* — Ieisha N Price  
(74) *Attorney, Agent, or Firm* — Leason Ellis LLP

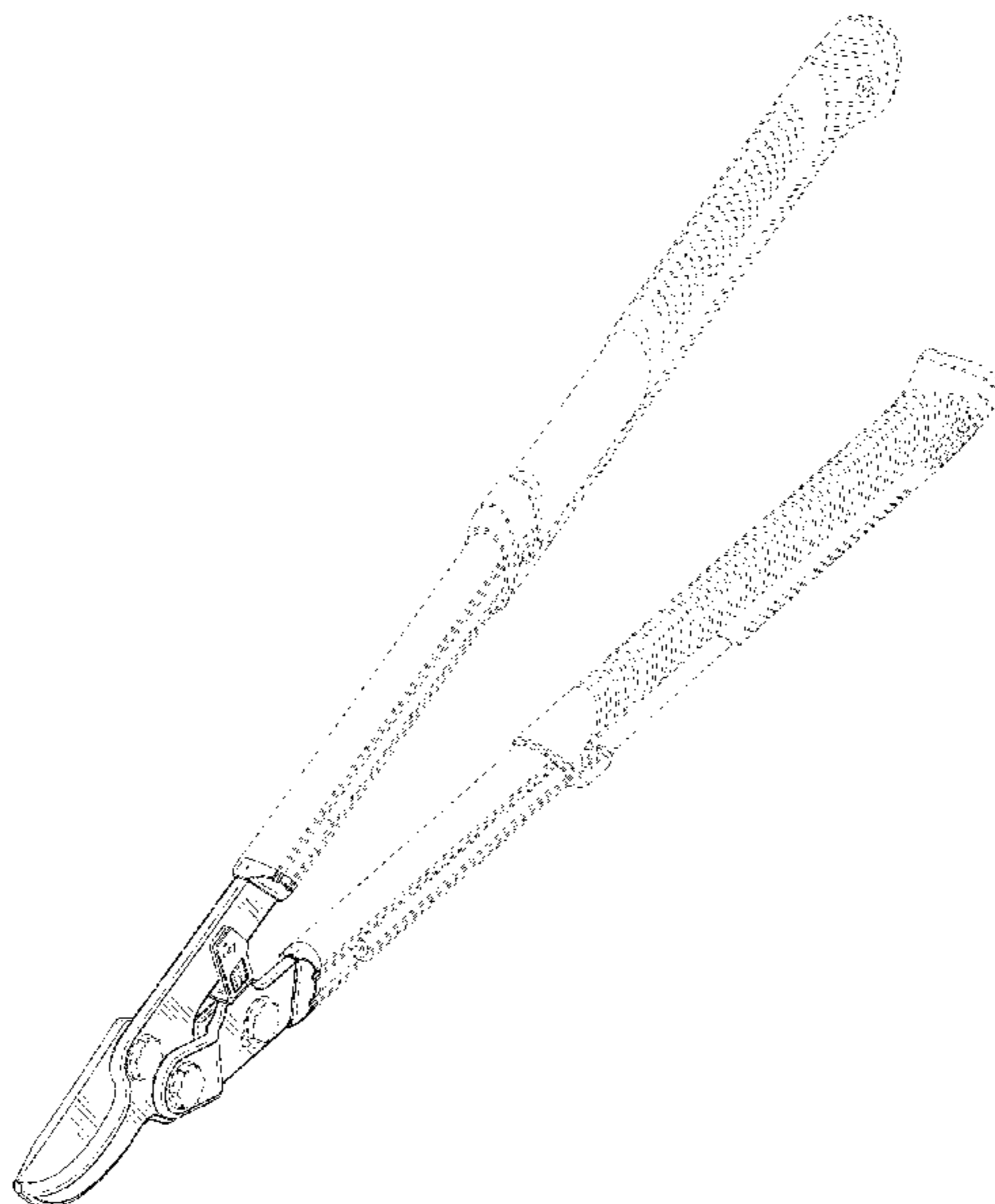
(57) **CLAIM**

We claim the ornamental design for a lopper, as shown and described.

**DESCRIPTION**

FIG. 1 is a top perspective view of an embodiment of the claimed design;  
FIG. 2 is front view thereof;  
FIG. 3 is a rear view thereof;  
FIG. 4 is a left side view thereof;  
FIG. 5 is a right side view thereof;  
FIG. 6 is a top view thereof; and,  
FIG. 7 is a bottom view thereof.  
The broken lines in the drawings illustrate portions of the tool handle and form no part of the claimed design.

**1 Claim, 6 Drawing Sheets**



(56)

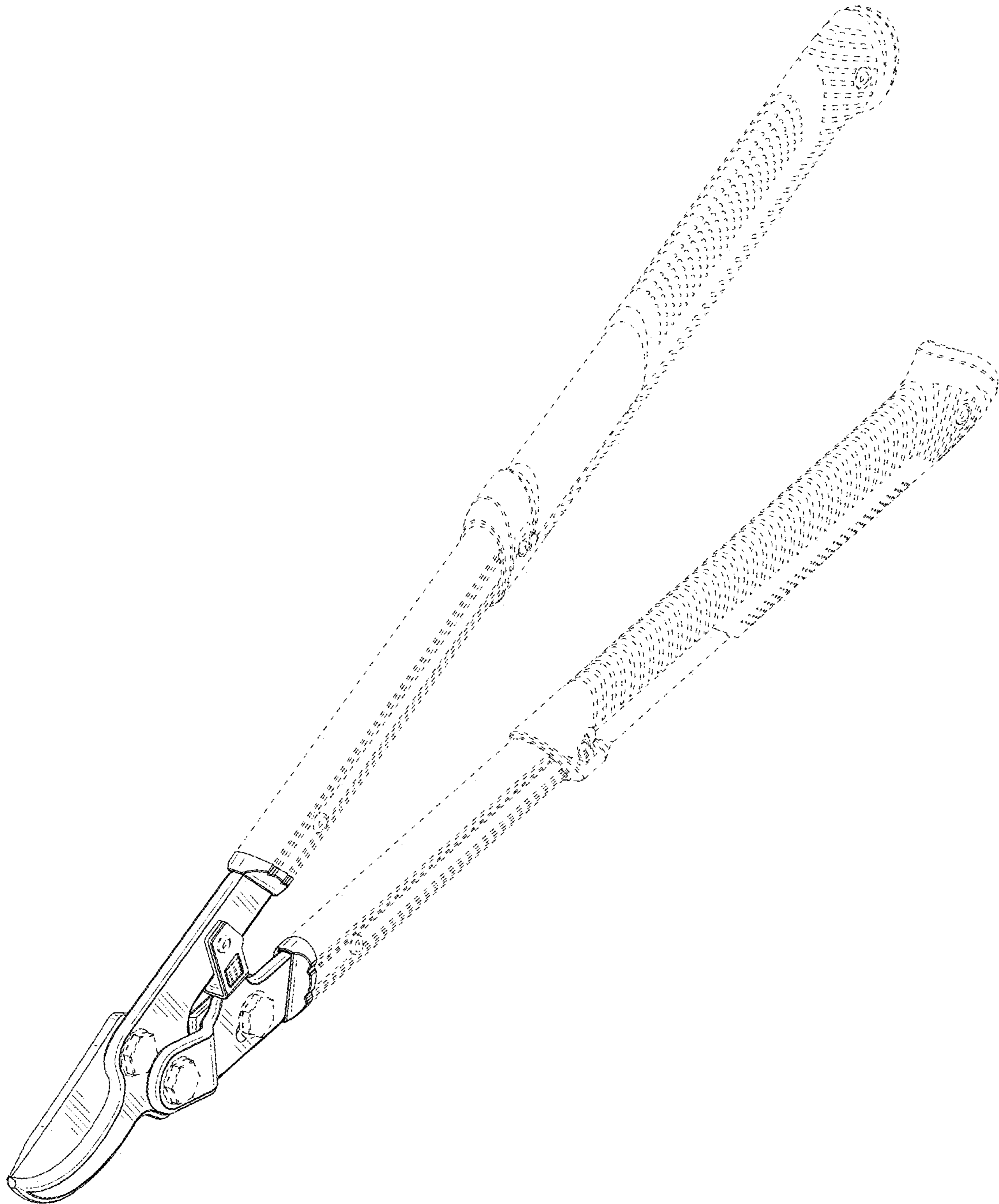
**References Cited**

U.S. PATENT DOCUMENTS

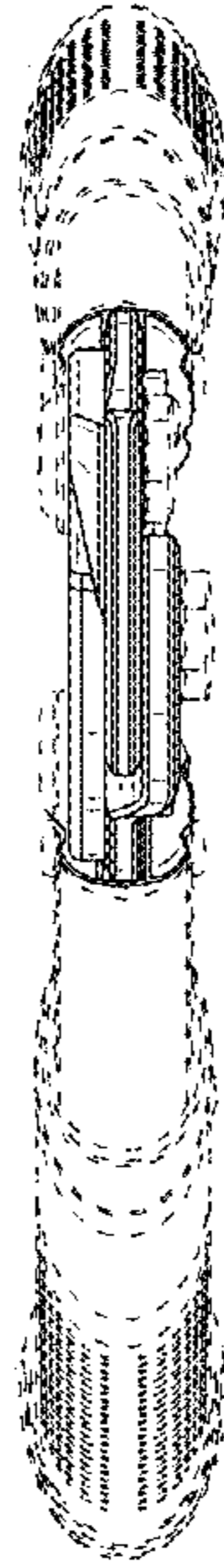
D715,607 S 10/2014 Lyytikainen et al.  
 D716,126 S 10/2014 Dahlberg  
 D717,133 S 11/2014 Lyytikainen et al.  
 D717,134 S 11/2014 Lyytikainen et al.  
 D722,479 S 2/2015 Lyytikainen et al.  
 D737,651 S 9/2015 Masalin et al.  
 9,345,200 B2 5/2016 Cunningham  
 D760,054 S 6/2016 Huttunen  
 D761,075 S 7/2016 Masalin et al.  
 D761,632 S 7/2016 Masalin et al.  
 D764,882 S 8/2016 Lyytikainen et al.  
 D769,098 S 10/2016 Huttunen  
 D770,254 S 11/2016 Honadel  
 D784,102 S 4/2017 Honadel et al.  
 D784,784 S 4/2017 Huttunen  
 D799,295 S 10/2017 Huttunen  
 D802,384 S \* 11/2017 Wolf ..... D8/4  
 D810,525 S 2/2018 Lyytikainen  
 D813,620 S \* 3/2018 Janson ..... D8/5  
 D844,407 S 4/2019 Stokes  
 D859,102 S 9/2019 Roberts

2006/0026845 A1\* 2/2006 Lin ..... A01G 3/0251  
 30/249  
 2009/0044412 A1\* 2/2009 Hsieh ..... A01G 3/0251  
 30/252  
 2010/0223794 A1\* 9/2010 Block ..... B26B 13/26  
 30/258  
 2011/0000026 A1\* 1/2011 Shan ..... B25G 1/04  
 7/135  
 2012/0060377 A1\* 3/2012 Huang ..... B26B 13/26  
 30/244  
 2012/0151781 A1\* 6/2012 Huang ..... A01G 3/0251  
 30/251  
 2012/0186087 A1\* 7/2012 Huang ..... A01G 3/0251  
 30/252  
 2013/0185945 A1\* 7/2013 Wang ..... B25G 1/04  
 30/341  
 2014/0215834 A1\* 8/2014 Wang ..... A01G 3/021  
 30/251  
 2016/0113208 A1\* 4/2016 Hsu ..... A01G 3/021  
 30/251  
 2016/0120132 A1\* 5/2016 Hsu ..... A01G 3/021  
 30/251  
 2017/0086384 A1\* 3/2017 Wang ..... A01G 3/0251

\* cited by examiner



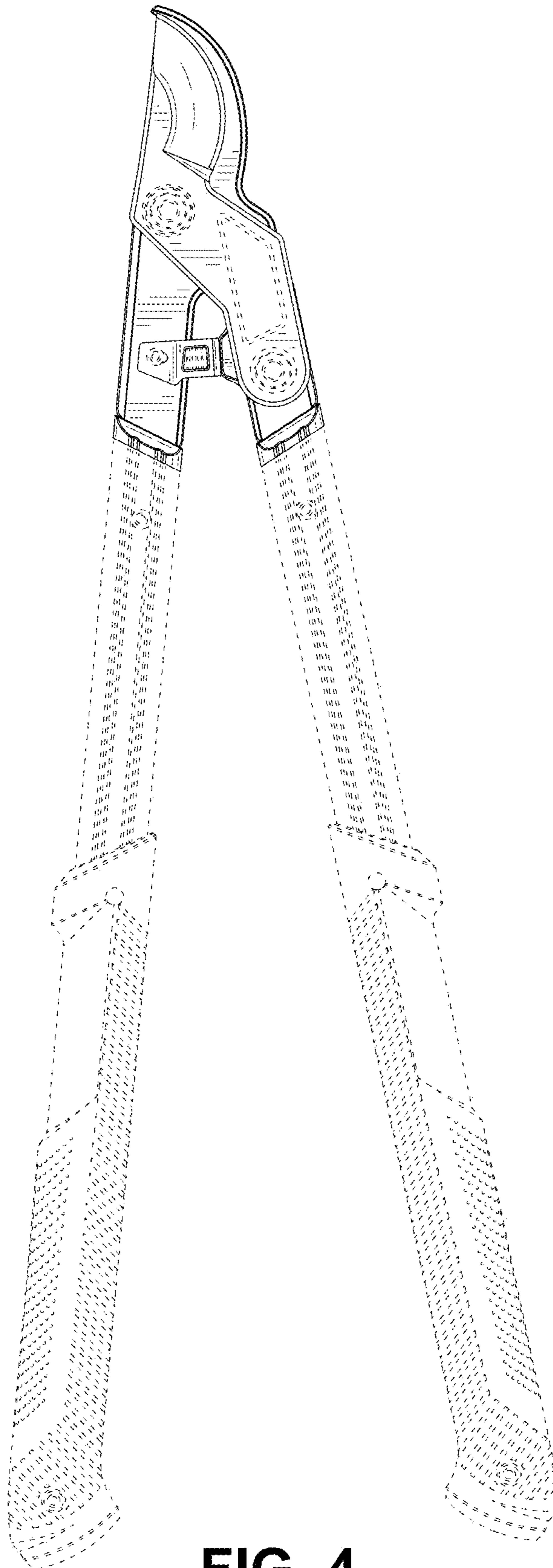
**FIG. 1**



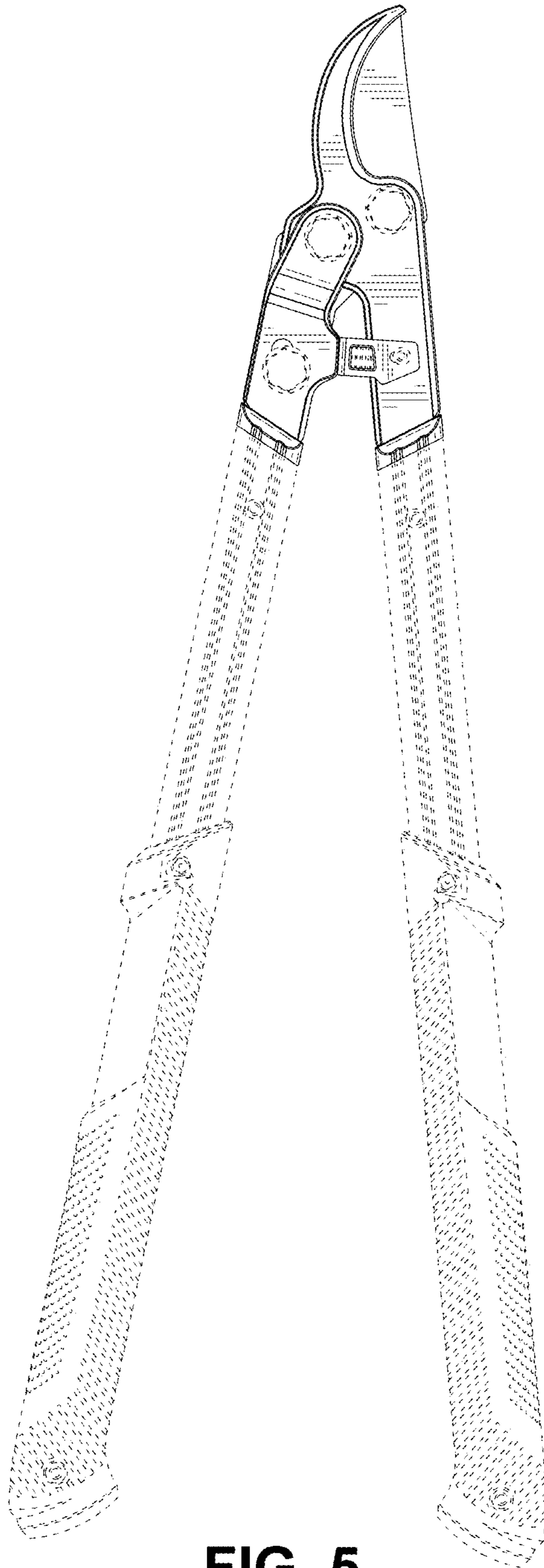
**FIG. 2**



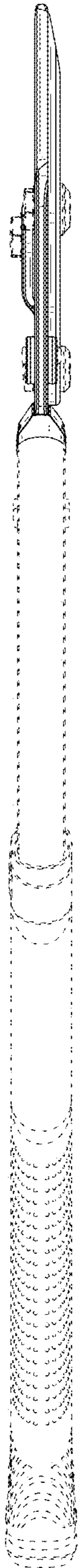
**FIG. 3**



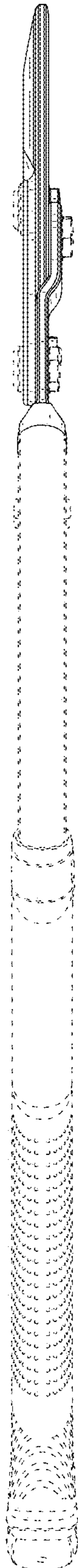
**FIG. 4**



**FIG. 5**



**FIG. 6**



**FIG. 7**