



US00D890583S

(12) **United States Design Patent** (10) **Patent No.:** **US D890,583 S**
Blitzer et al. (45) **Date of Patent:** **** Jul. 21, 2020**

(54) **SNOW SHOVEL WITH SEGMENTED HANDLE**
(71) Applicant: **Suncast Technologies, LLC**, Palm Beach Gardens, FL (US)
(72) Inventors: **Dov Blitzer**, Naperville, IL (US); **William J. Phillips**, Batavia, IL (US); **Stephen Whitehead**, Elgin, IL (US)
(73) Assignee: **Suncast Technologies, LLC**, Palm Beach Gardens, FL (US)
(**) Term: **15 Years**
(21) Appl. No.: **29/687,215**
(22) Filed: **Apr. 11, 2019**
(51) **LOC (12) Cl.** **08-01**
(52) **U.S. Cl.**
USPC **D8/1**
(58) **Field of Classification Search**
USPC D8/1, 10
CPC A01G 20/30; B26B 1/147; E01H 5/05; E01H 5/12; E01H 1/206; A01B 1/04; A01B 1/026; A01B 1/02
See application file for complete search history.

(56) **References Cited**
U.S. PATENT DOCUMENTS
D384,866 S * 10/1997 Tisbo D8/10
D385,160 S * 10/1997 Tisbo D8/10
D392,520 S * 3/1998 Tisbo D8/10
D392,521 S * 3/1998 Tisbo D8/10
D393,990 S * 5/1998 Whitehead D8/10
5,826,929 A * 10/1998 Tisbo E01H 5/02
294/54.5

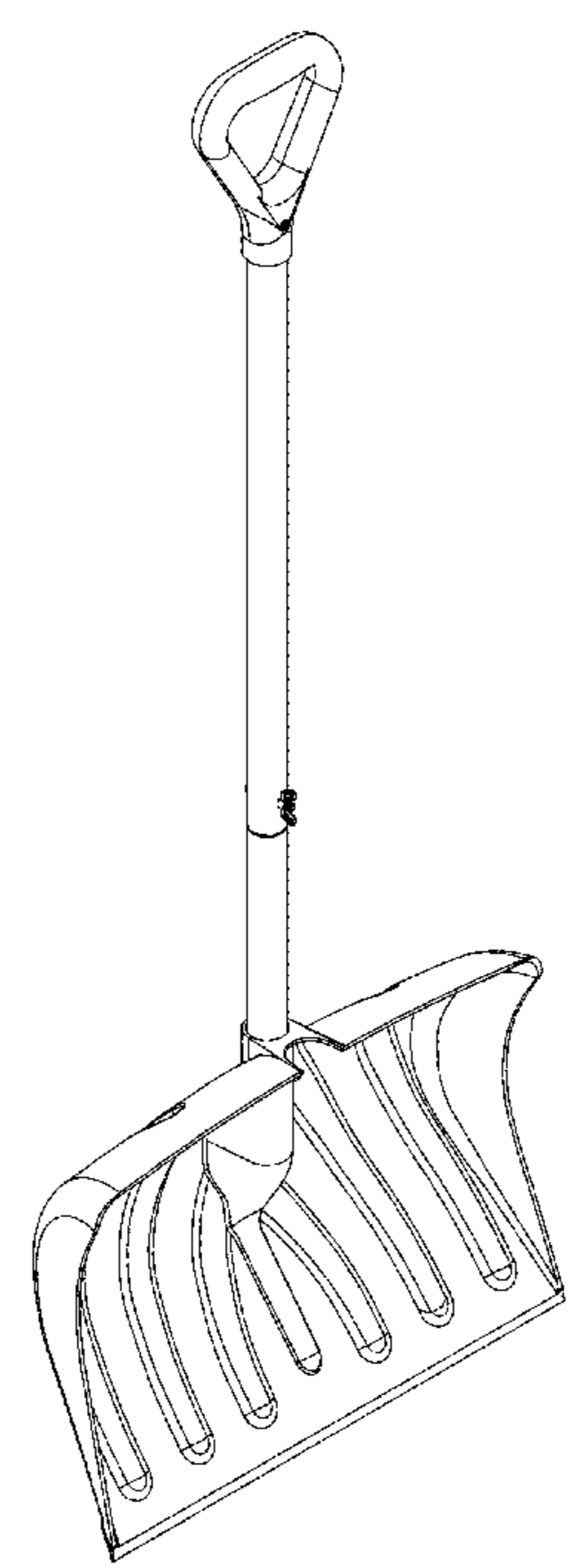
5,826,930 A * 10/1998 Whitehead E01H 5/02
294/54.5
D417,825 S * 12/1999 Tisbo D8/10
7,118,145 B1 * 10/2006 Rosine B25G 1/01
294/57
D708,495 S * 7/2014 Stein D8/10
D758,152 S * 6/2016 Blouin D8/10
D788,551 S * 6/2017 Blouin D8/10
D809,353 S * 2/2018 Blouin D8/10
D814,255 S * 4/2018 Thuma D8/10
D847,592 S * 5/2019 Kopp D8/10
2007/0126250 A1 * 6/2007 Rosine A01B 1/02
294/51
2008/0179904 A1 * 7/2008 Huang B25G 1/08
294/51
2014/0217759 A1 * 8/2014 Uffner E01H 5/12
294/51
2017/0370058 A1 * 12/2017 Herrera E01H 5/02

* cited by examiner
Primary Examiner — Sheryl Lane
(74) *Attorney, Agent, or Firm* — McHale & Slavin, P.A.

(57) **CLAIM**
The ornamental design for snow shovel with segmented handle, as shown and described.

DESCRIPTION
FIG. 1 is a top left front perspective view of the snow shovel with segmented handle of the present invention;
FIG. 2 is a top right front view thereof;
FIG. 3 is a front view thereof;
FIG. 4 is a rear view thereof;
FIG. 5 is a left side view thereof;
FIG. 6 is a right side view thereof; and,
FIG. 7 is a top view thereof.

1 Claim, 7 Drawing Sheets



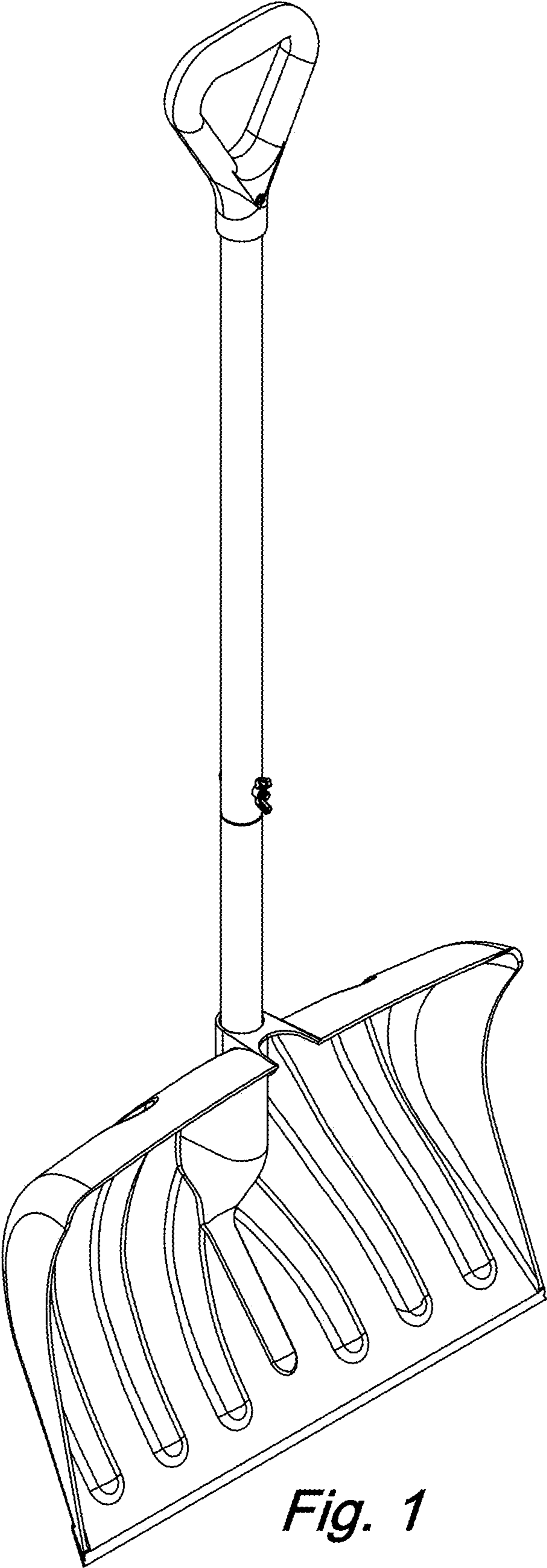


Fig. 1

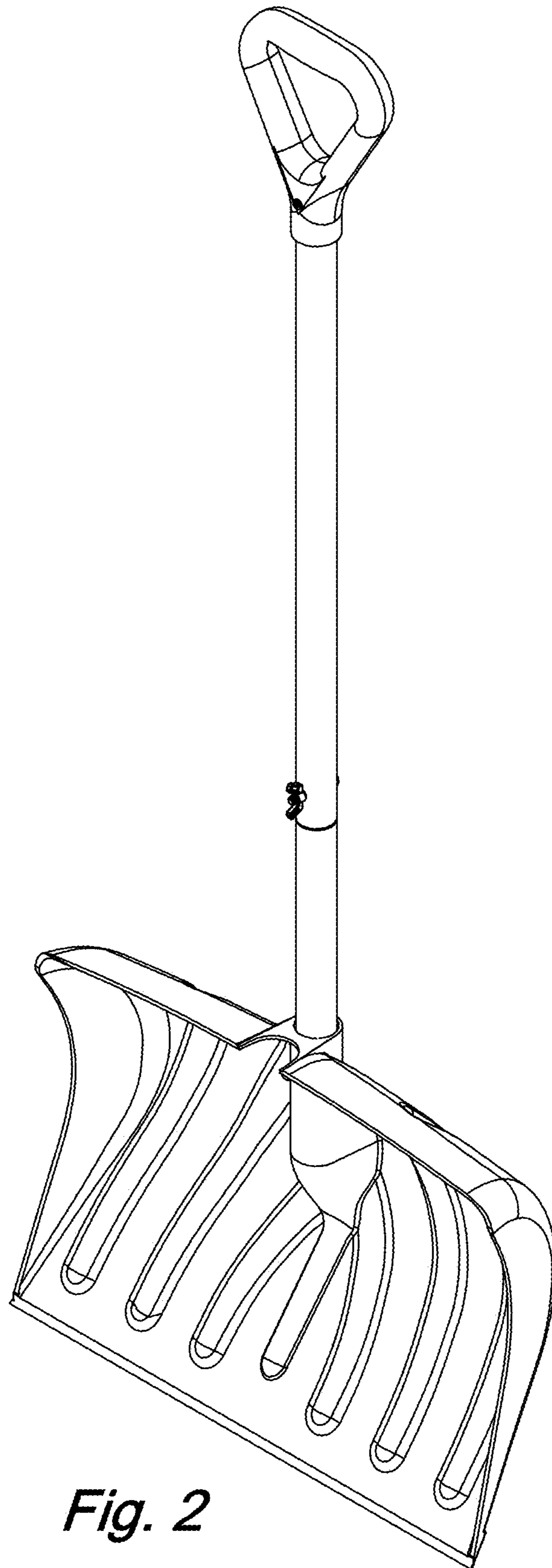


Fig. 2

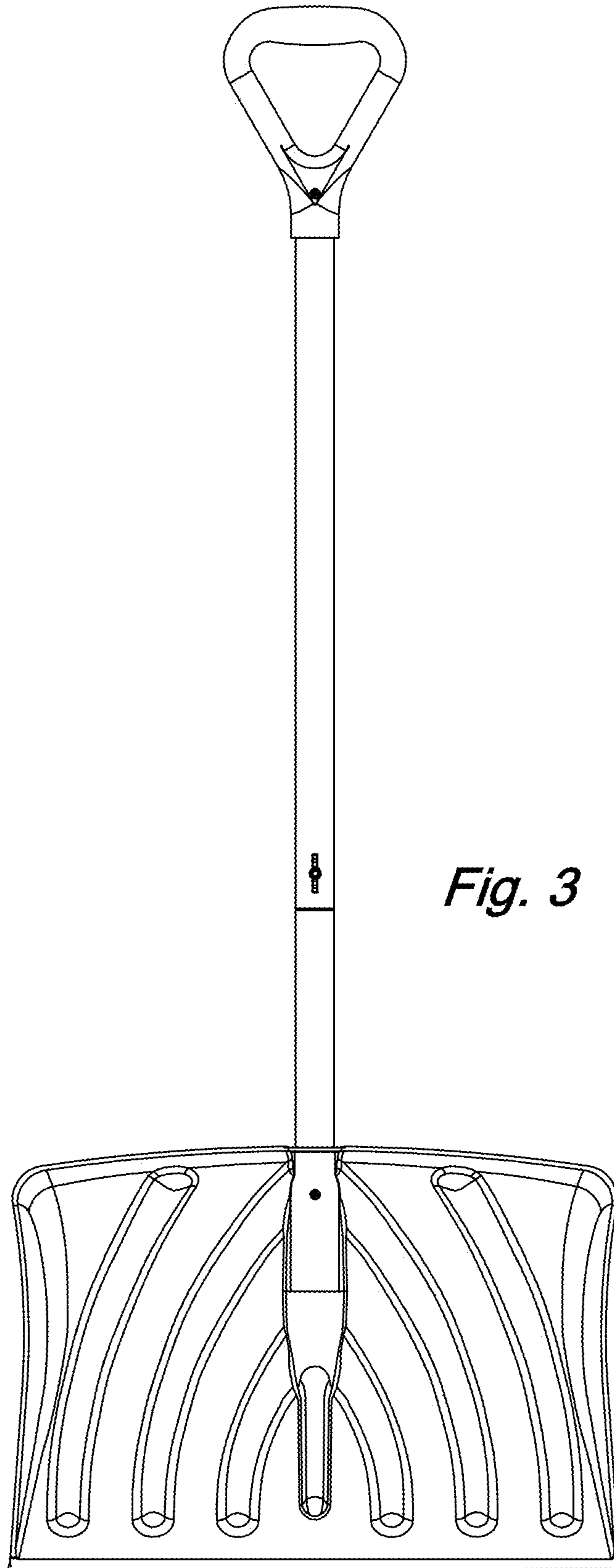


Fig. 3

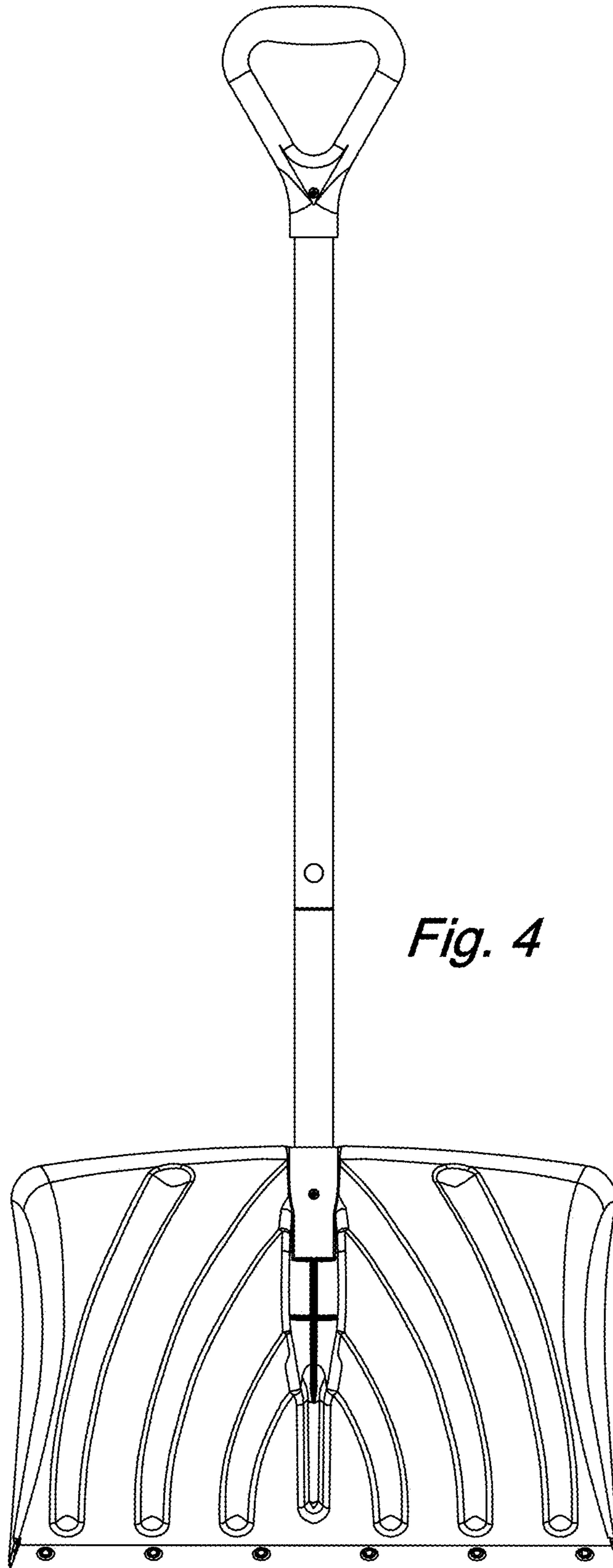


Fig. 4

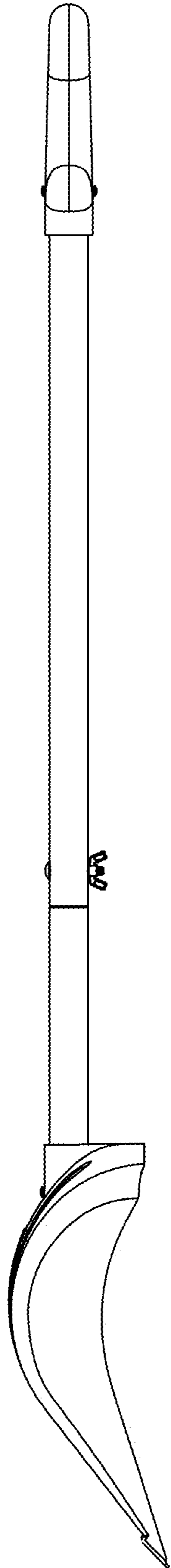


Fig. 5

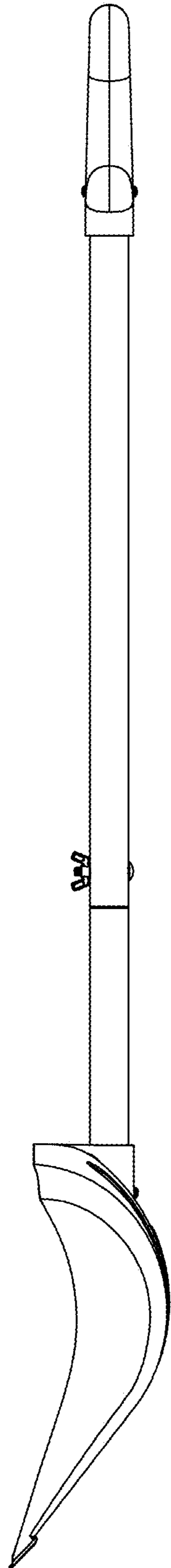


Fig. 6

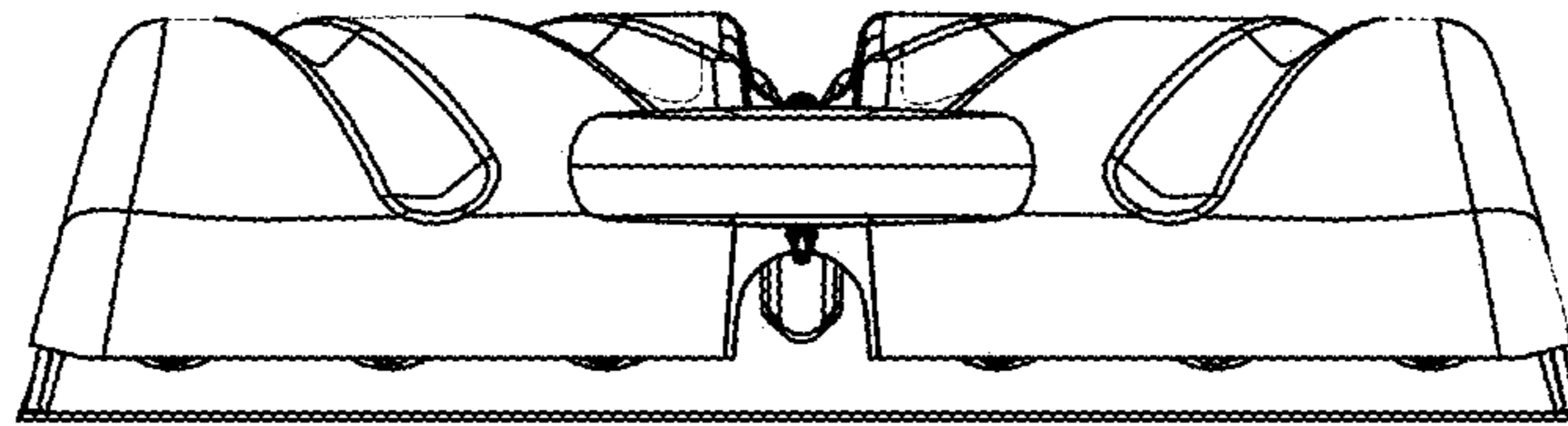


Fig. 7