

US00D890582S

(12) **United States Design Patent**
Roberts et al.

(10) **Patent No.:** **US D890,582 S**
(45) **Date of Patent:** **** Jul. 21, 2020**

- (54) **TOOL HANDLE**
- (71) Applicant: **Fiskars Brands, Inc.**, Middleton, WI (US)
- (72) Inventors: **Colin Roberts**, Waunakee, WI (US);
Emery Weber, Madison, WI (US);
Stephen Dechant, Waunakee, WI (US);
James Meiller, Fitchburg, WI (US)
- (73) Assignee: **FISKARS FINLAND OY AB**, Helsinki (FI)
- (**) Term: **15 Years**
- (21) Appl. No.: **29/639,335**
- (22) Filed: **Mar. 6, 2018**
- (51) **LOC (12) Cl.** **08-01**
- (52) **U.S. Cl.**
USPC **D8/1**
- (58) **Field of Classification Search**
USPC ... D8/1, 4, 5, 10, 51, 52, 53, 54, 55, 56, 58,
D8/105, 107
CPC B26B 13/00; B26B 13/06; B26B 13/08;
B26B 13/12; B26B 13/14; B26B 13/16;
B26B 13/20; B26B 13/26; B26B 13/28;
B26B 17/00; A01G 3/00; A01G 3/02;
A01G 3/021; A01G 3/025; A01G 3/0251;
A01G 3/0475
See application file for complete search history.

- (56) **References Cited**
U.S. PATENT DOCUMENTS
D206,483 S * 12/1966 Sharp D8/5
3,372,478 A 3/1968 Wallace et al.
4,078,307 A 3/1978 Zavala
D252,495 S * 7/1979 Breger D7/649
4,422,240 A 12/1983 Wallace et al.
5,325,591 A 7/1994 Orthey
5,592,743 A 1/1997 Labarre et al.

- D378,798 S * 4/1997 Berti D32/52
- 6,493,943 B1 12/2002 Linden
- D494,027 S 8/2004 Lin
- D494,430 S 8/2004 Lin
- 6,789,324 B2 9/2004 Linden et al.
- 7,089,625 B2 8/2006 Linden et al.
- D581,766 S * 12/2008 Heneen D8/107
- D621,743 S 8/2010 Hortnagl
- D638,676 S 5/2011 Huang
- 8,046,924 B2 11/2011 Block et al.
- 8,136,252 B2 3/2012 Linden et al.
- D679,559 S 4/2013 Masalin et al.
- D684,828 S 6/2013 Masalin et al.
- D691,004 S 10/2013 Masalin et al.
- D691,446 S * 10/2013 Haythornthwaite D8/107
- D693,192 S 11/2013 Masalin et al.
- D704,520 S 5/2014 Lyytikainen et al.
- D715,114 S 10/2014 Lyytikainen et al.

(Continued)

Primary Examiner — Sandra S Snapp
Assistant Examiner — Ieisha N Price
(74) *Attorney, Agent, or Firm* — Leason Ellis LLP

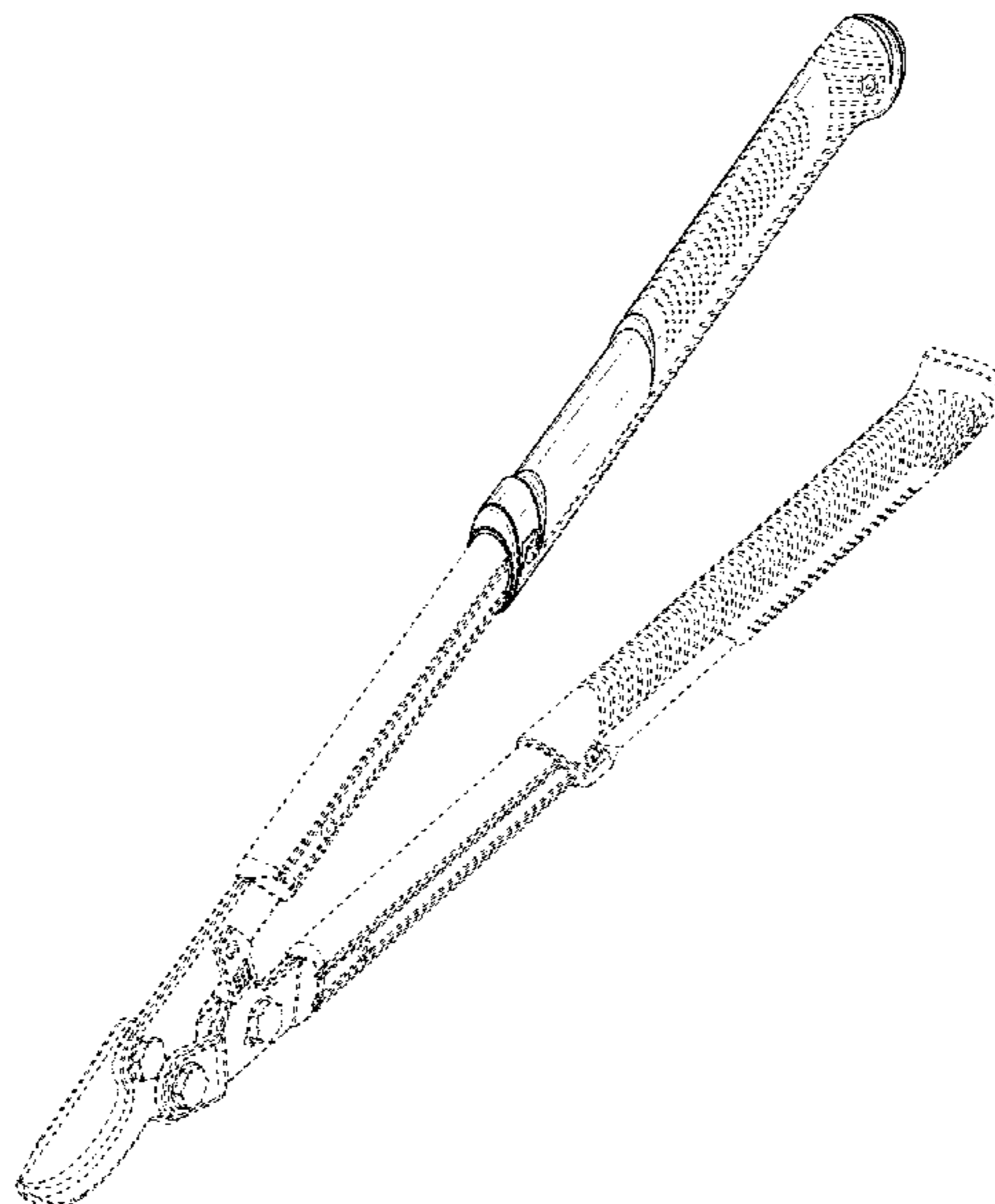
(57) **CLAIM**

We claim the ornamental design for a tool handle, as shown and described.

DESCRIPTION

FIG. 1 is a top perspective view of an embodiment of the claimed design;
FIG. 2 is front view thereof;
FIG. 3 is a rear view thereof;
FIG. 4 is a left side view thereof;
FIG. 5 is a right side view thereof;
FIG. 6 is a top view thereof;
FIG. 7 is a bottom view thereof; and,
FIG. 8 is a perspective view of another embodiment of the claimed design.
The broken lines in the drawings illustrate portions of the tool handle and form no part of the claimed design.

1 Claim, 7 Drawing Sheets



(56)

References Cited

U.S. PATENT DOCUMENTS

D715,607 S	10/2014	Lyytikainen et al.	
D716,126 S *	10/2014	Dahlberg	D8/75
D717,133 S	11/2014	Lyytikainen et al.	
D717,134 S	11/2014	Lyytikainen et al.	
D722,479 S	2/2015	Lyytikainen et al.	
D737,651 S	9/2015	Masalin et al.	
9,345,200 B2	5/2016	Cunningham	
D760,054 S	6/2016	Huttunen	
D761,075 S	7/2016	Masalin et al.	
D761,632 S	7/2016	Masalin et al.	
D764,882 S	8/2016	Lyytikainen et al.	
D769,098 S	10/2016	Huttunen	
D770,254 S *	11/2016	Honadel	D8/75
D784,102 S	4/2017	Honadel et al.	
D784,784 S	4/2017	Huttunen	
D799,295 S	10/2017	Huttunen	
D802,384 S	11/2017	Wolf	
D810,525 S	2/2018	Lyytikainen	
D813,620 S	3/2018	Janson	
D844,407 S *	4/2019	Stokes	D8/99
D859,102 S *	9/2019	Roberts	D8/10
2006/0026845 A1	2/2006	Lin	
2009/0044412 A1	2/2009	Hsieh	
2010/0223794 A1	9/2010	Block	
2011/0000026 A1	1/2011	Shan	
2012/0060377 A1	3/2012	Huang	
2012/0151781 A1	6/2012	Huang	
2012/0186087 A1	7/2012	Huang	
2013/0185945 A1	7/2013	Wang	
2014/0215834 A1	8/2014	Wang	
2016/0113208 A1	4/2016	Hsu	
2016/0120132 A1	5/2016	Hsu	
2017/0086384 A1	3/2017	Wang	

* cited by examiner

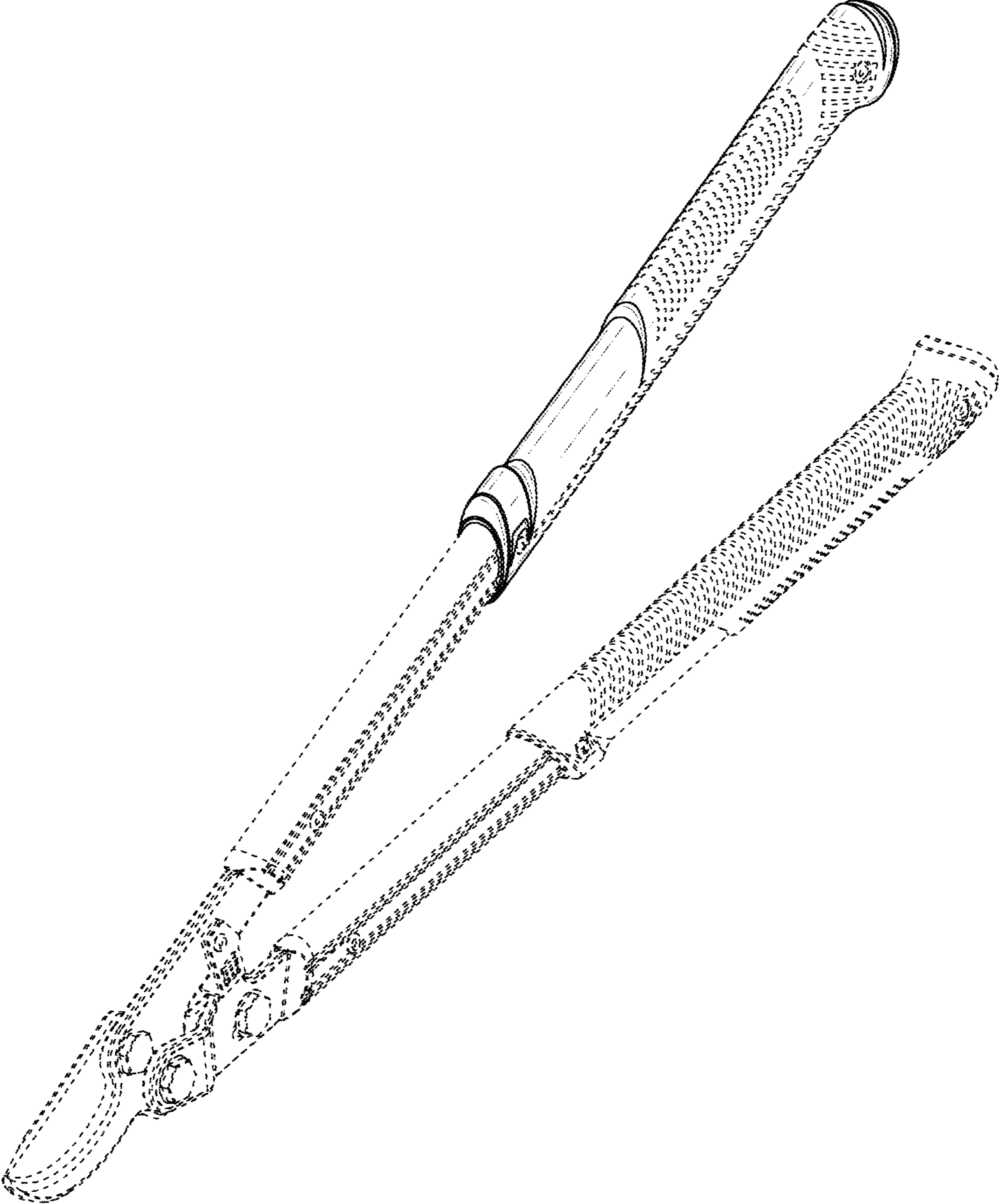


FIG. 1



FIG. 2



FIG. 3

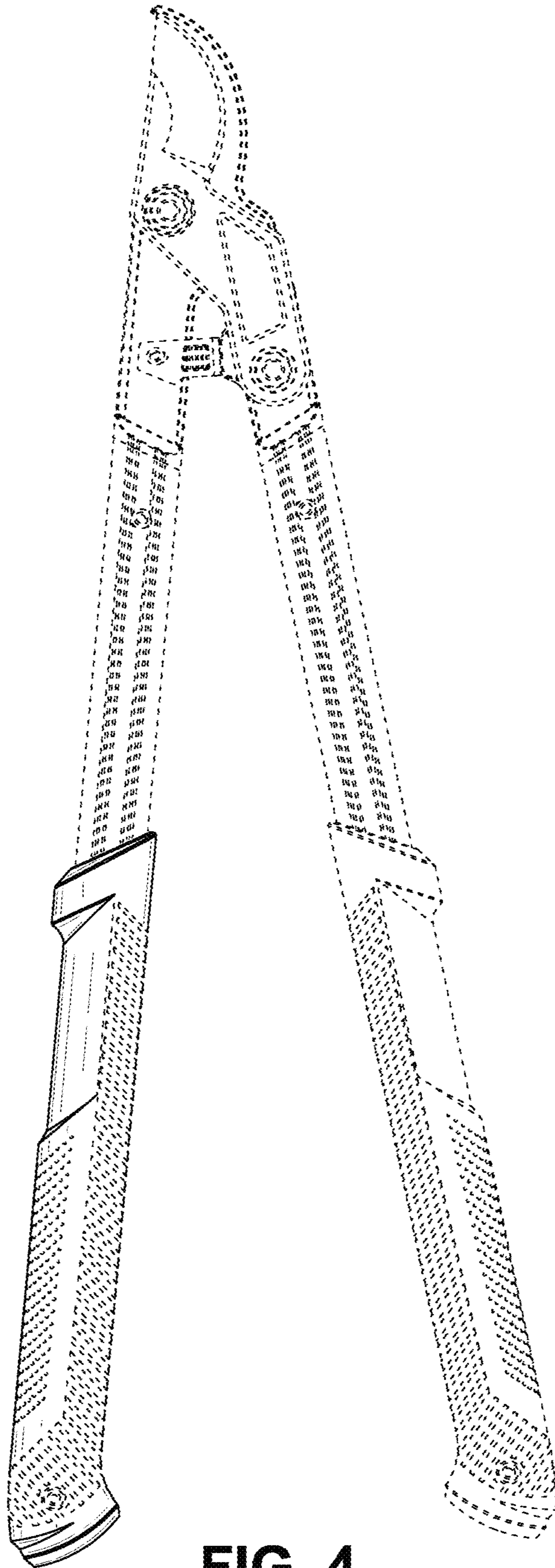


FIG. 4

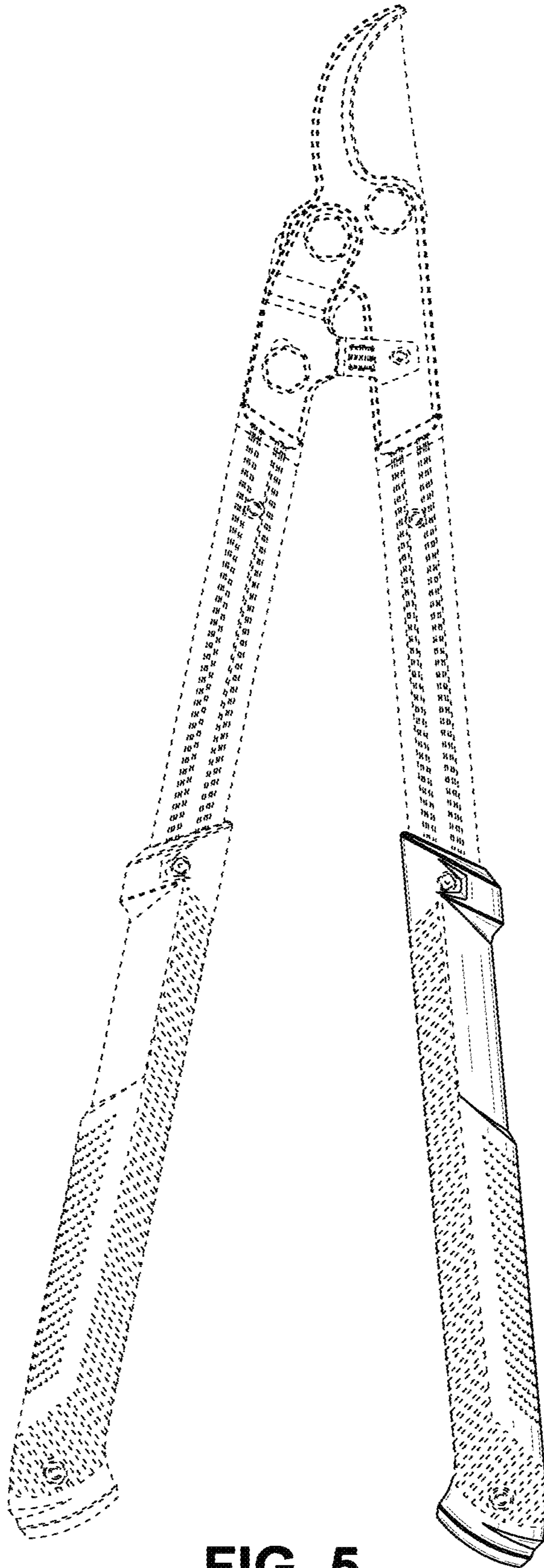


FIG. 5

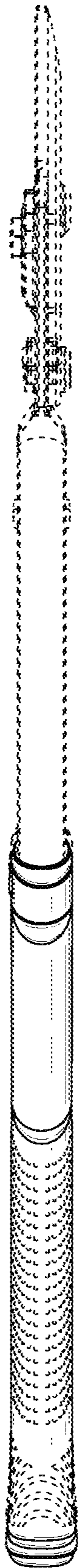


FIG. 6



FIG. 7

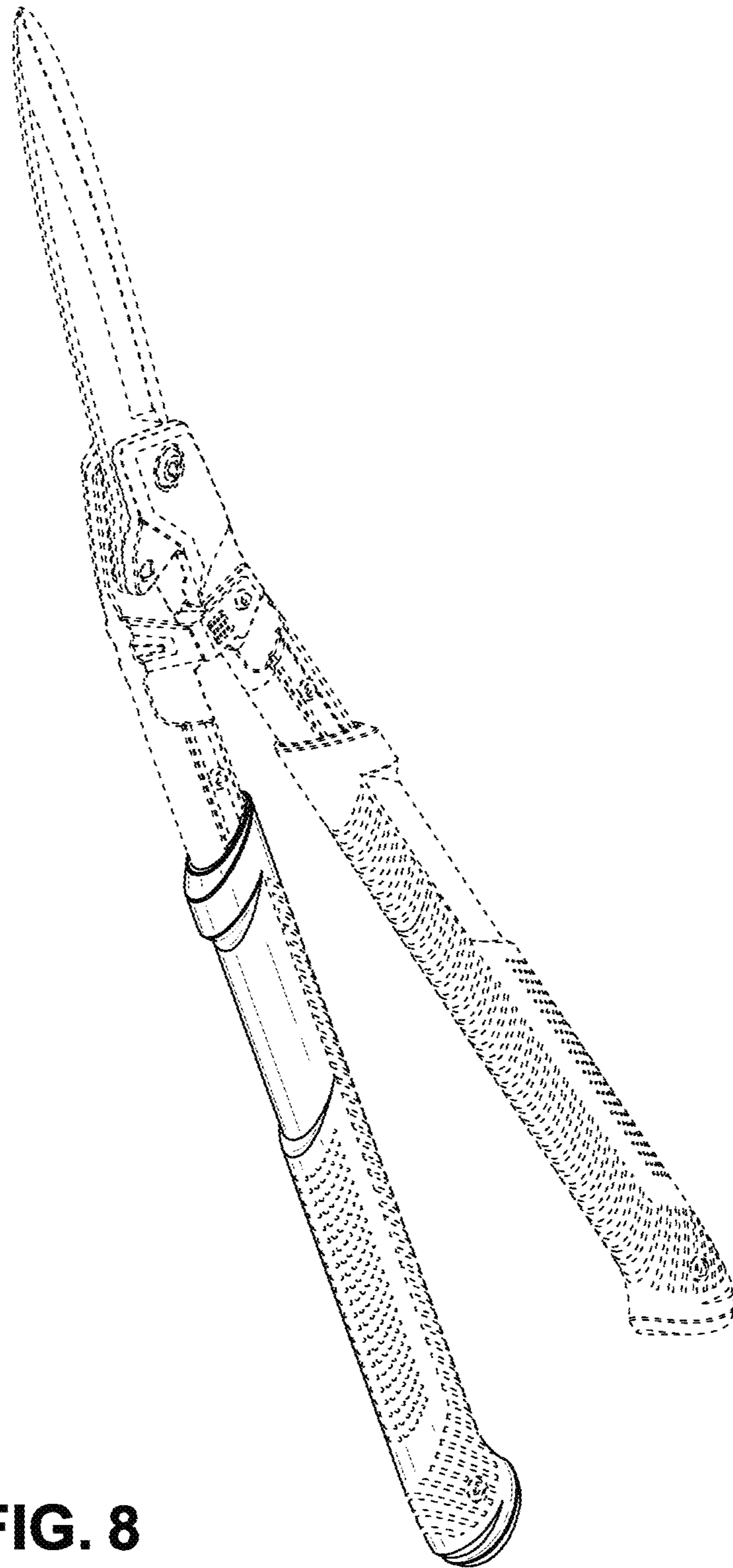


FIG. 8