



US00D890581S

(12) **United States Design Patent** (10) **Patent No.:** **US D890,581 S**  
**Gonzalez** (45) **Date of Patent:** **\*\* Jul. 21, 2020**

(54) **LUNCH BAG**  
(71) Applicant: **Omar Gonzalez**, Wayne, NJ (US)  
(72) Inventor: **Omar Gonzalez**, Wayne, NJ (US)  
(\*\*) Term: **15 Years**  
(21) Appl. No.: **29/641,806**  
(22) Filed: **Mar. 26, 2018**  
(51) **LOC (12) Cl.** ..... **09-03**  
(52) **U.S. Cl.**  
USPC ..... **D7/709**  
(58) **Field of Classification Search**  
USPC ..... D7/391, 392.1, 629-630, 705, 607;  
D6/675, 675.1, 675.3-675.4, 681,  
D6/690-691; D9/432, 435, 751-752,  
D9/759-760, 770, 525, 683, 695;  
206/203, 518, 557, 170, 218, 591, 600,  
206/541-542; D19/92, 101-105, 107;  
D32/53.1, 55; D3/303-305, 232, 324,  
D3/285, 289, 301, 902; D23/393  
CPC . A47J 47/02; A47J 47/06; A47J 47/10; A47G  
23/04; A47G 23/0683; A47G 23/06;  
B65D 1/00; B65D 45/12; B65D 45/16;  
B65D 45/18; B65D 45/20; B65D 45/22;  
B65D 45/30; B65D 11/10; B65D 53/02;  
B65D 21/086

See application file for complete search history.

(56) **References Cited**

**U.S. PATENT DOCUMENTS**

D231,869 S \* 6/1974 Ohyama ..... D3/283  
D236,758 S \* 9/1975 Sollazzi ..... D3/289  
D242,181 S \* 11/1976 Davis ..... D3/321  
D242,183 S \* 11/1976 Davis ..... D3/321  
D248,188 S \* 6/1978 Tweedie ..... D3/289  
D262,669 S \* 1/1982 Davis ..... D3/289  
D270,969 S \* 10/1983 Stark ..... D3/279  
D294,085 S \* 2/1988 Gibbs ..... D3/287

4,932,506 A \* 6/1990 Kim ..... A45C 5/00  
150/128  
D321,593 S \* 11/1991 Kim ..... D3/289  
D354,396 S \* 1/1995 Lowenstein ..... D3/276  
5,421,172 A \* 6/1995 Jones ..... F25D 3/08  
62/457.5  
D376,045 S \* 12/1996 Bernstein ..... D3/287  
D379,267 S \* 5/1997 Roegner ..... D3/285  
D396,750 S \* 8/1998 Slater ..... D3/284  
D412,267 S \* 7/1999 Anderson ..... D7/605  
D422,181 S \* 4/2000 Birutis ..... D7/607  
6,105,779 A \* 8/2000 Simpson ..... A45C 13/103  
206/424  
D434,282 S \* 11/2000 Daw ..... D7/709  
(Continued)

**FOREIGN PATENT DOCUMENTS**

CA 179460 \* 12/2018  
JP D1348559 \* 1/2009  
WO WO-D090776-003 \* 7/2016

*Primary Examiner* — Marissa J Cash  
*Assistant Examiner* — Altaira J Swangin  
(74) *Attorney, Agent, or Firm* — Michael J. Feigin, Esq.;  
Feigin and Fridman LLC

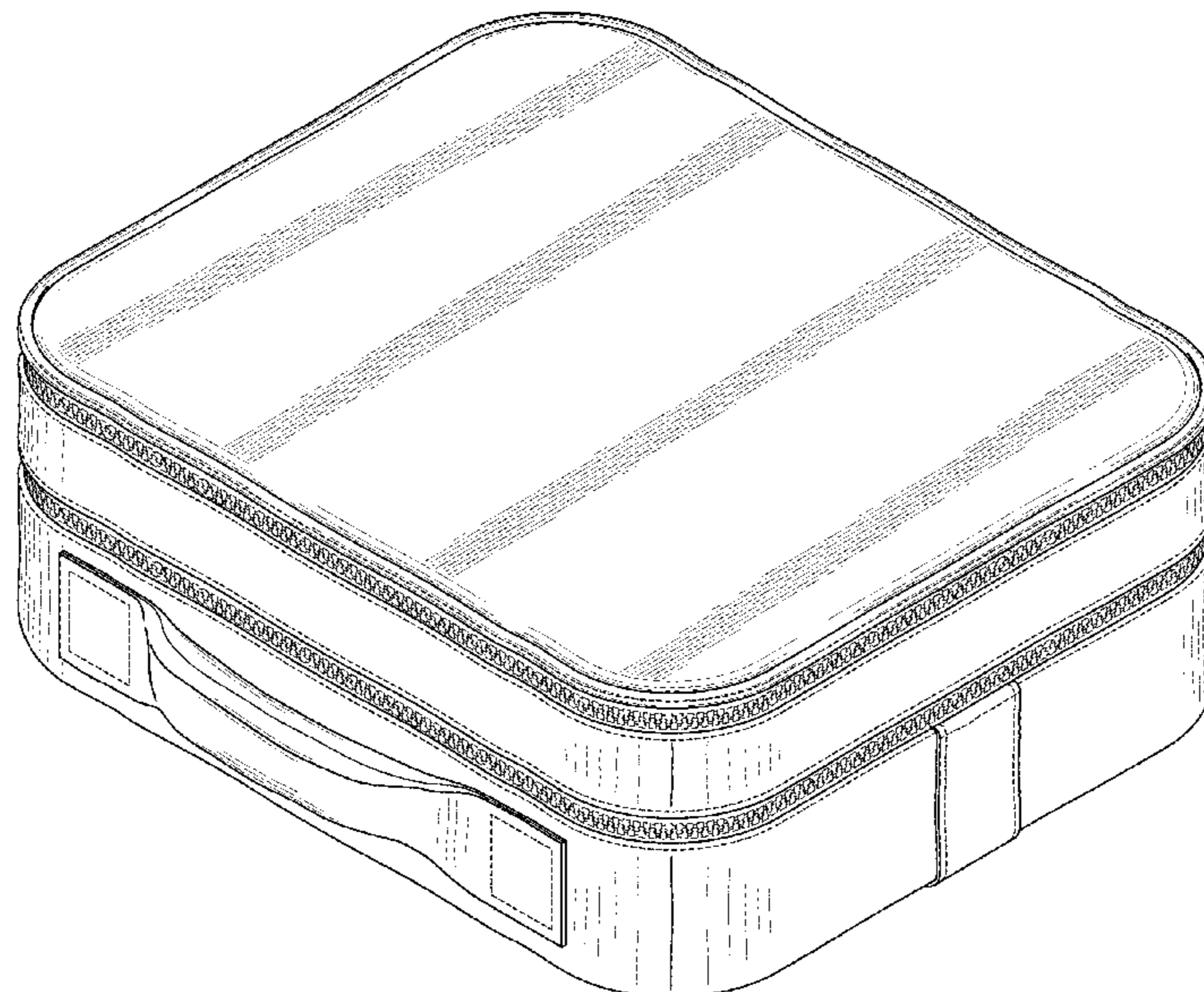
(57) **CLAIM**

The ornamental design for the lunch bag, as shown and described.

**DESCRIPTION**

FIG. 1 shows a top perspective view of a lunch bag.  
FIG. 2 shows a top plan view of the lunch bag.  
FIG. 3 shows a bottom plan view of the lunch bag.  
FIG. 4 shows a front elevation of the lunch bag.  
FIG. 5 shows a rear elevation of the lunch bag; and,  
FIG. 6 shows a left side elevation view of the lunch bag, the right elevation view being a mirror image thereof.  
The broken lines, shown in the drawings, illustrate claimed stitching of the lunch bag.

**1 Claim, 6 Drawing Sheets**



(56)

References Cited

U.S. PATENT DOCUMENTS

6,144,016	A *	11/2000	Garvin	.....	A45C 11/20				
						206/550			
6,347,706	B1 *	2/2002	D'Ambrosio	.....	A45C 11/20				
						206/232			
D455,551	S *	4/2002	Stephens	.....	D3/276				
D457,314	S *	5/2002	Stephens	.....	D3/276				
D467,427	S *	12/2002	Wolf	.....	D3/276				
D479,652	S *	9/2003	Hassett	.....	D3/289				
D480,209	S *	10/2003	Davis	.....	D3/276				
D512,216	S *	12/2005	Joyce	.....	D3/203.6				
7,004,323	B1 *	2/2006	Symonds	.....	A45C 11/20				
						206/542			
D516,870	S *	3/2006	Martinez	.....	D3/289				
D522,811	S *	6/2006	Martinez	.....	D7/607				
D524,050	S *	7/2006	Suppangig	.....	D3/289				
D560,361	S *	1/2008	Huang	.....	D3/301				
7,334,684	B1 *	2/2008	Fontanilla	.....	A45C 11/20				
						190/110			
D566,484	S *	4/2008	George	.....	D3/294				
D588,799	S *	3/2009	Garland	.....	D3/205				
D605,854	S *	12/2009	Gracer	.....	D3/289				
D615,296	S *	5/2010	Bassee	.....	D3/232				
D618,966	S *	7/2010	Koehler	.....	D7/607				
D632,079	S *	2/2011	Spencer	.....	D3/301				
D639,064	S *	6/2011	Raible	.....	D3/301				
D685,185	S *	7/2013	Bulzis	.....	D3/266				
D723,804	S *	3/2015	Coleman	.....	D3/301				
D731,792	S *	6/2015	Lentner	.....	D3/285				
D739,655	S *	9/2015	Coleman	.....	D3/285				
D742,115	S *	11/2015	Besner	.....	D3/249				
D776,431	S *	1/2017	Braendle	.....	D3/318				
D787,174	S *	5/2017	Oie	.....	D3/20				
D790,933	S *	7/2017	Solly	.....	D7/607				
D796,843	S *	9/2017	Connor	.....	D3/285				
D833,745	S *	11/2018	Barenbrug	.....	D3/287				
D844,323	S *	4/2019	Shuai	.....	D3/274				
D850,105	S *	6/2019	Case	.....	D3/289				
D857,390	S *	8/2019	Kwon	.....	D3/301				
D862,991	S *	10/2019	LaMance	.....	B65D 25/2873				
						D7/607			
D867,759	S *	11/2019	Liu	.....	D3/303				
D874,146	S *	2/2020	Rogers	.....	D3/301				
D874,147	S *	2/2020	Rogers	.....	D3/301				
2002/0153216	A1 *	10/2002	Krulik	.....	A45C 7/0027				
						190/103			
2003/0029770	A1 *	2/2003	MacKinnon	.....	A45C 11/00				
						206/553			
2005/0150807	A1 *	7/2005	Siwak	.....	A45C 7/0022				
						206/542			
2015/0135646	A1 *	5/2015	Goenka	.....	B65D 21/086				
						53/436			
2016/0355319	A1 *	12/2016	Stephens	.....	A45C 11/20				
2019/0281940	A1 *	9/2019	Stephens	.....	A45C 13/26				

\* cited by examiner



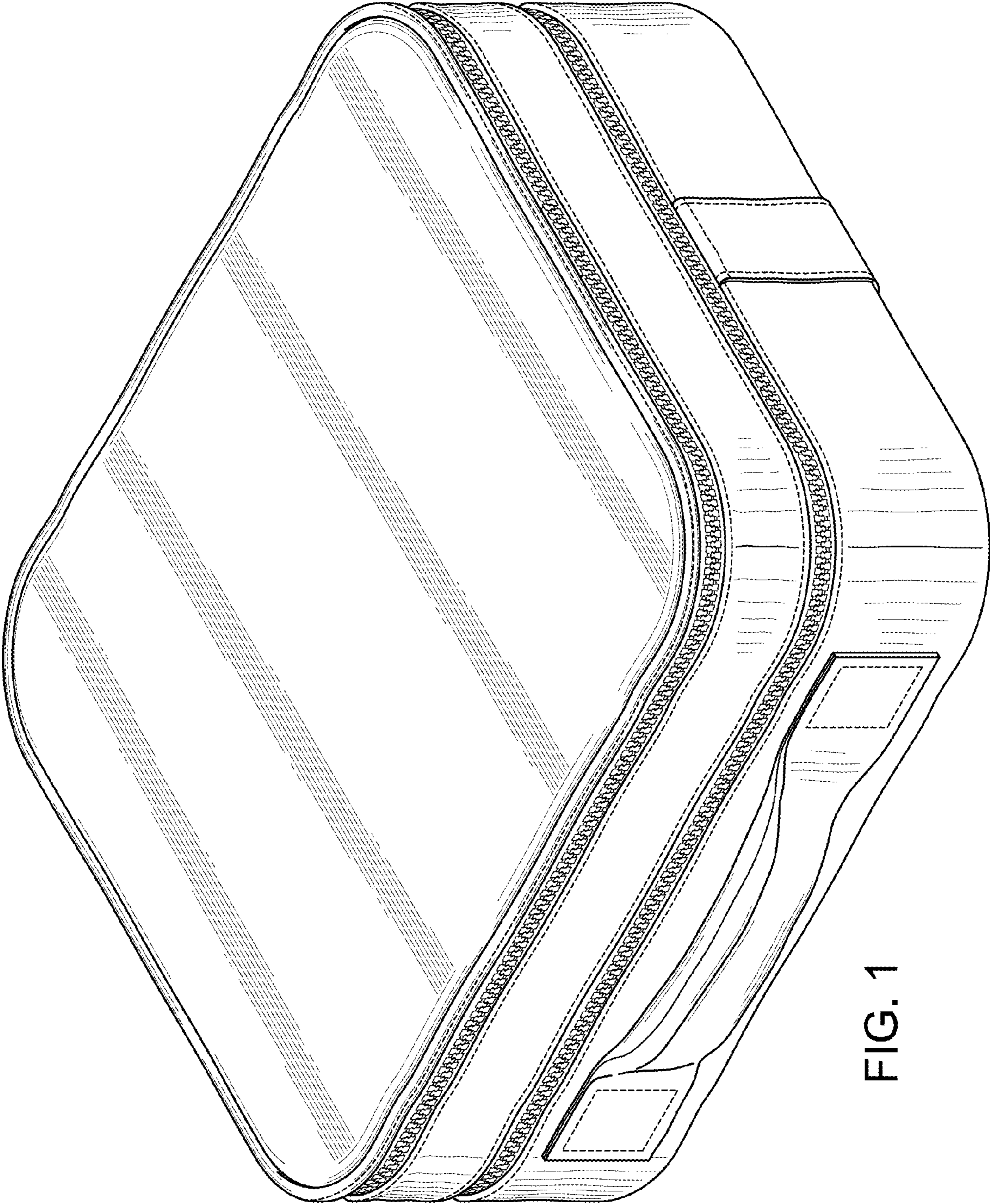


FIG. 1

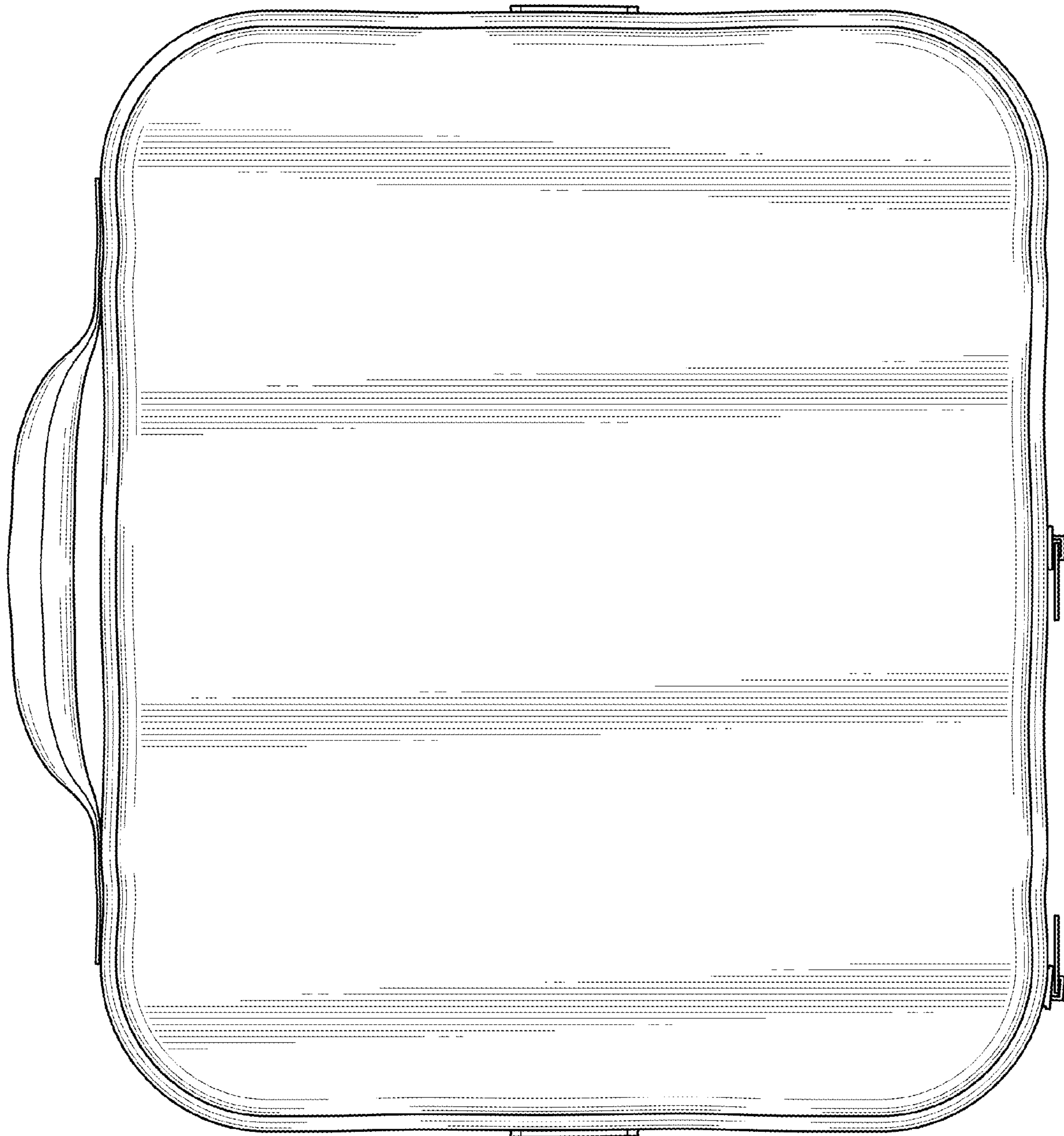


FIG. 2



FIG. 3



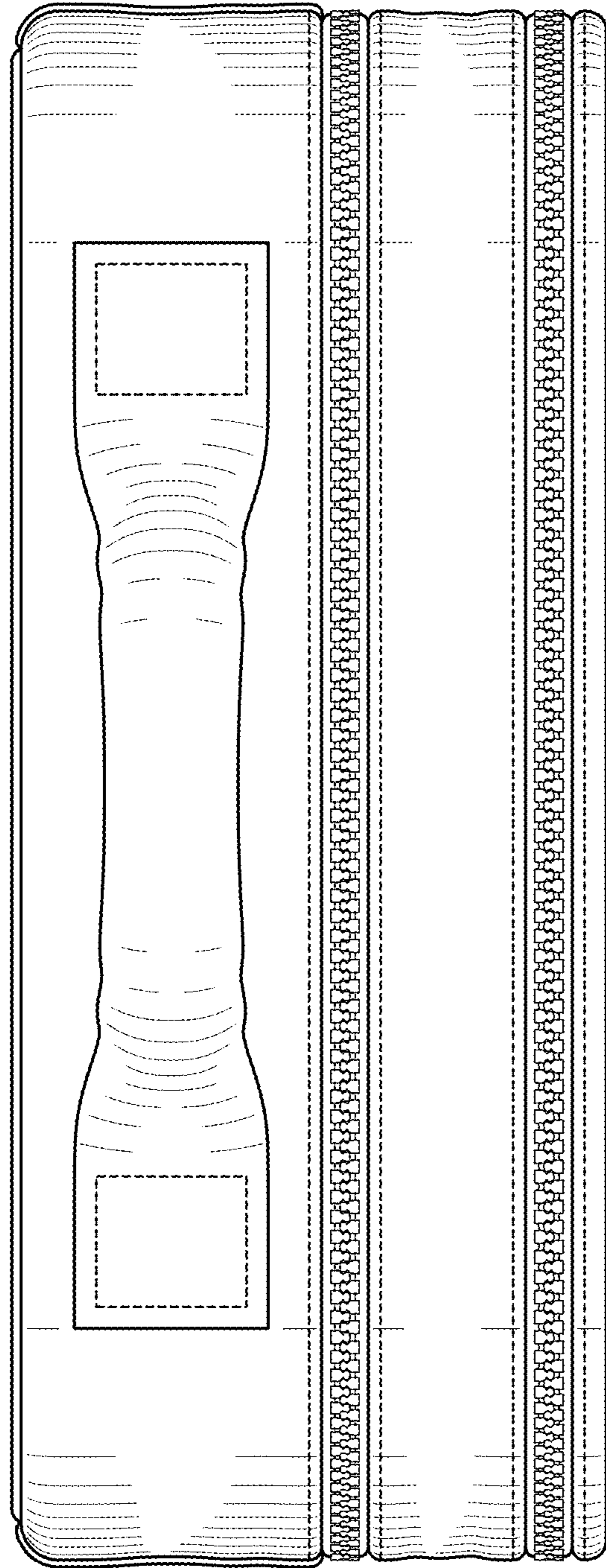


FIG. 4

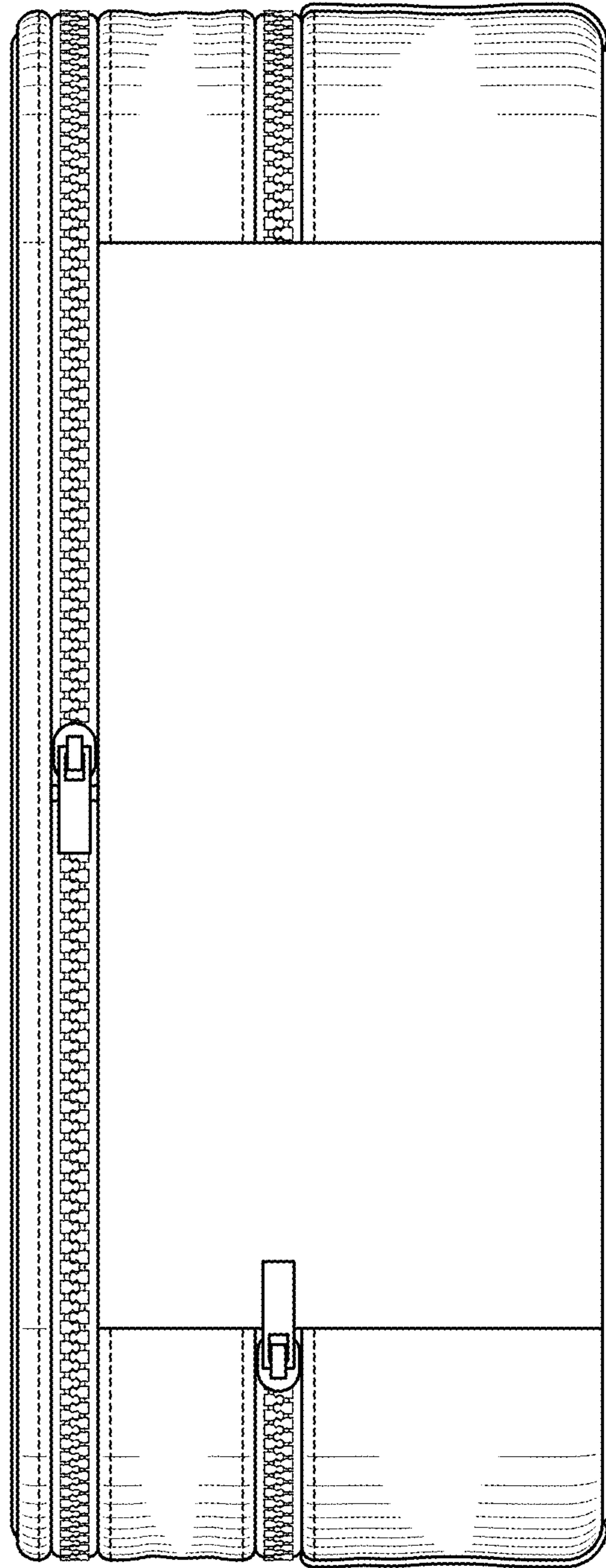


FIG. 5

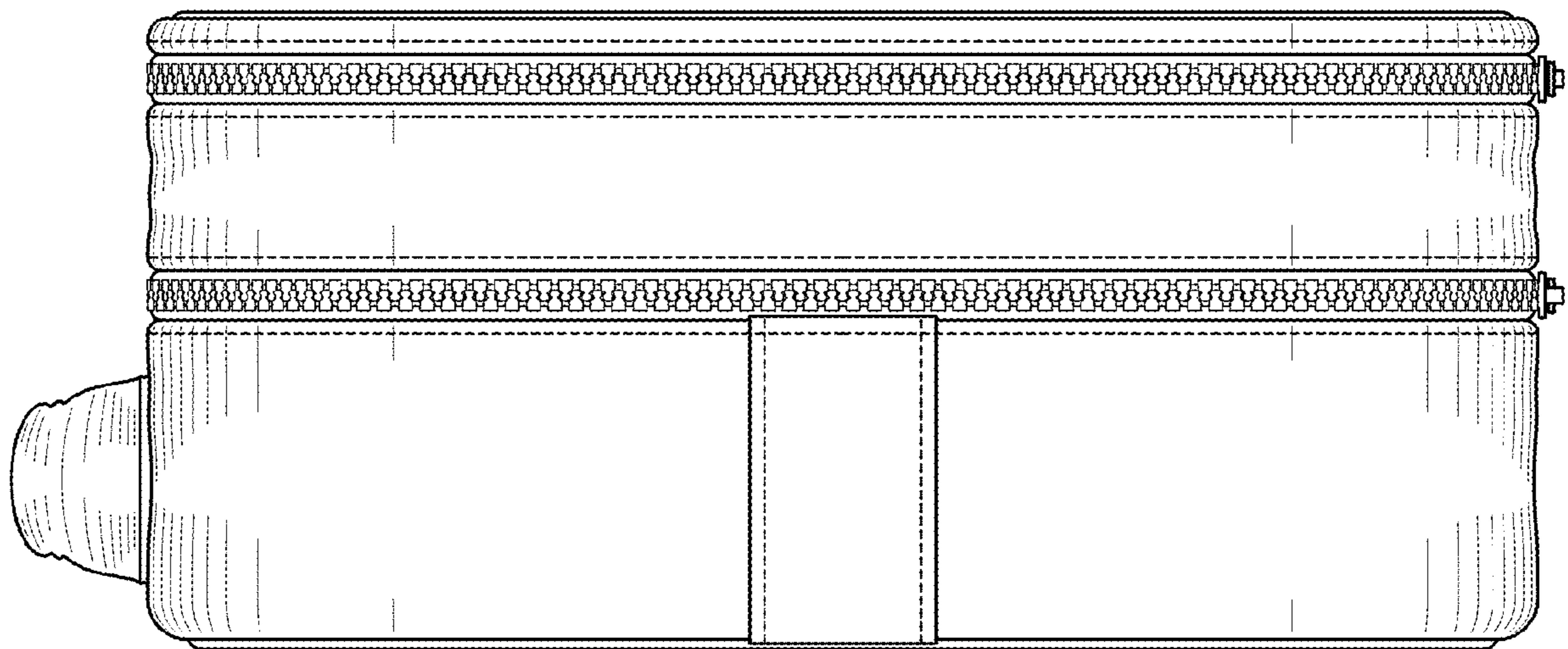


FIG. 6