



(12) **United States Design Patent**
Brown

(10) **Patent No.:** **US D890,580 S**
(45) **Date of Patent:** **** Jul. 21, 2020**

(54) **FOOD TONGS**

8,746,768 B1 * 6/2014 Coates B01D 46/4227
294/118

(71) Applicant: **Christiaan Brown**, Manchester, NH
(US)

* cited by examiner

(72) Inventor: **Christiaan Brown**, Manchester, NH
(US)

Primary Examiner — Terry A Wallace

(**) Term: **15 Years**

(57) **CLAIM**

The ornamental design for food tongs, as shown and described.

(21) Appl. No.: **29/686,988**

DESCRIPTION

(22) Filed: **Apr. 9, 2019**

(51) **LOC (12) Cl.** **07-06**

(52) **U.S. Cl.**
USPC **D7/687**

(58) **Field of Classification Search**
USPC D7/680–696, 368, 669, 401.2; D8/51,
D8/71, 72, 52, 54
CPC A47J 43/283; A47J 43/28; A47J 43/288;
A47J 37/0786; A47G 21/10; A47G 21/02;
A47G 21/06; A47G 21/00; A47G 21/103;
A47G 21/106; A47G 43/28; A61J 7/0023;
B25J 11/0045; B25J 1/02; B25J 1/06;
A21C 15/00; B25B 9/02; B25B 9/00;
B25B 7/00; B25B 7/02
See application file for complete search history.

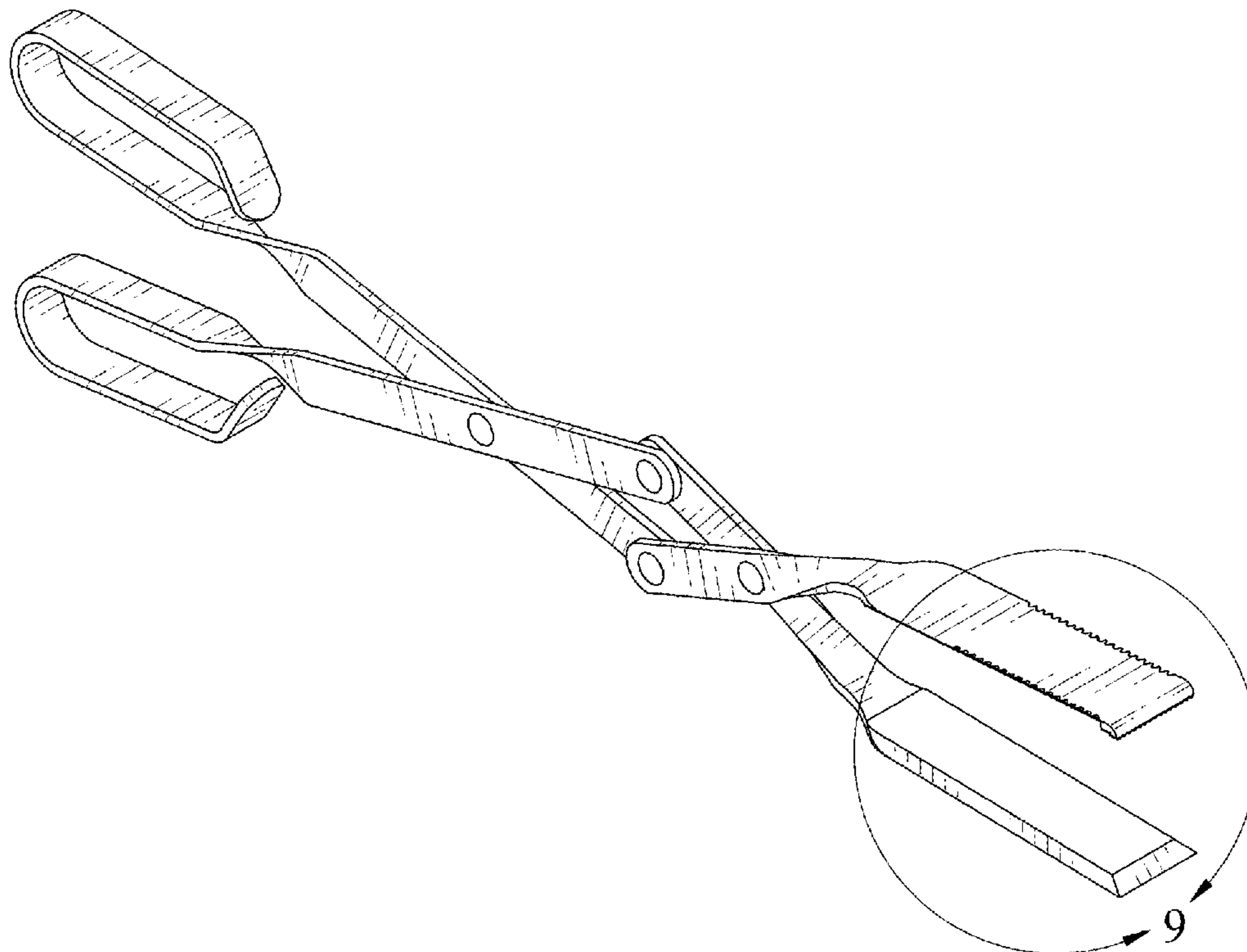
FIG. 1 is a front-top perspective view of the food tongs showing my new design;
FIG. 2 is a front-bottom perspective view thereof;
FIG. 3 is a rear-top perspective view thereof;
FIG. 4 is a rear-bottom perspective view thereof;
FIG. 5 is a front elevational view thereof with the rear elevational view being mirrored thereto;
FIG. 6 is a top plan view thereof;
FIG. 7 is an enlarged right elevational view thereof;
FIG. 8 is an enlarged left elevational view thereof;
FIG. 9 is a magnified view taken about circle 9 in FIG. 1;
FIG. 10 is a magnified view taken about circle 10 in FIG. 2;
FIG. 11 is a magnified view taken about circle 11 in FIG. 3;
FIG. 12 is a magnified view taken about circle 12 in FIG. 4;
FIG. 13 is a magnified view taken about circle 13 in FIG. 5;
and,
FIG. 14 is a magnified view taken about circle 14 in FIG. 6.
The broken lines are included for the purpose of showing environmental structure and form no part of the claimed design.

(56) **References Cited**

U.S. PATENT DOCUMENTS

D297,603 S * 9/1988 Zabarte D7/666
D298,297 S * 11/1988 Maltby D7/687
4,904,009 A * 2/1990 Kozlinski A47J 43/283
100/234

1 Claim, 14 Drawing Sheets



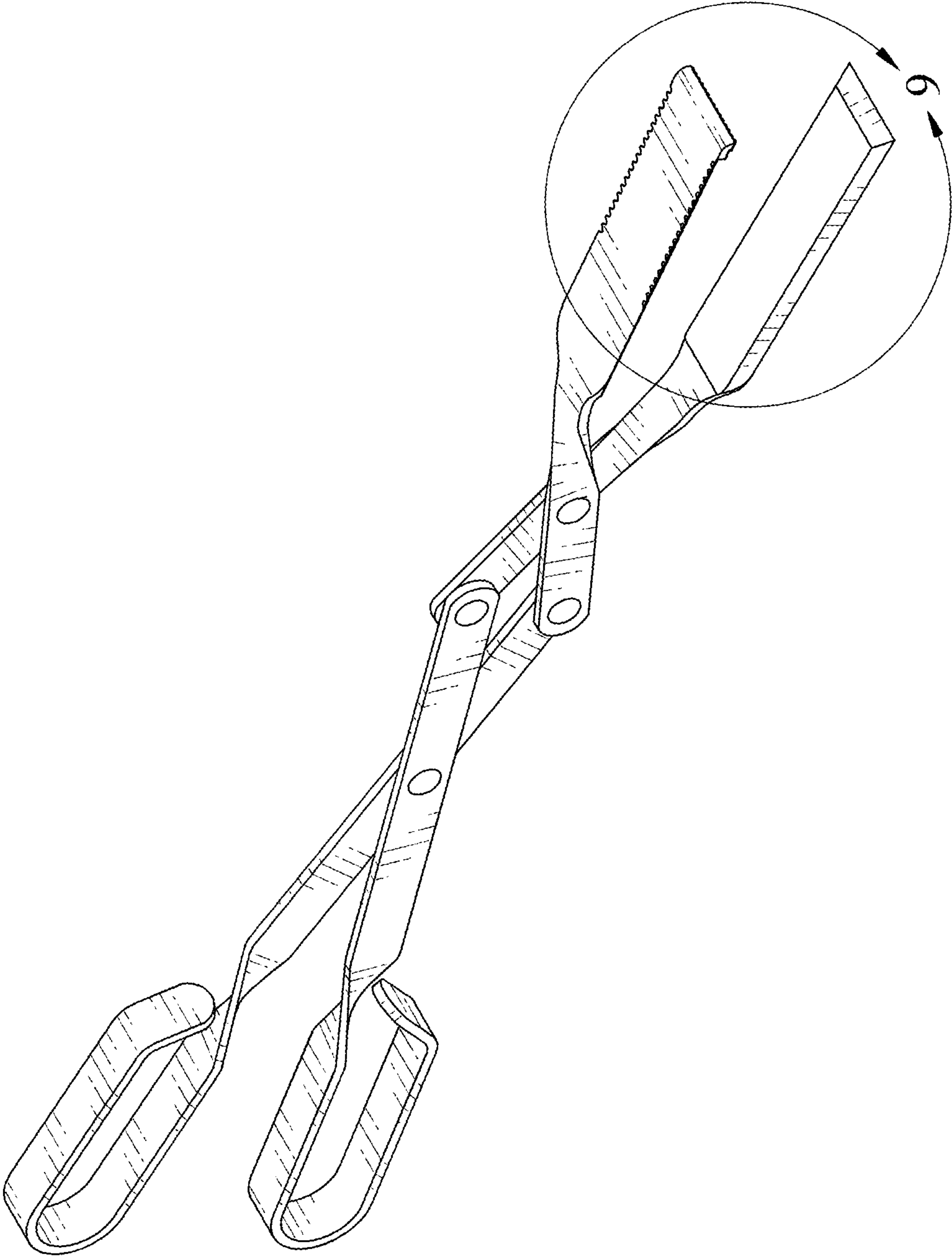


FIG. 1

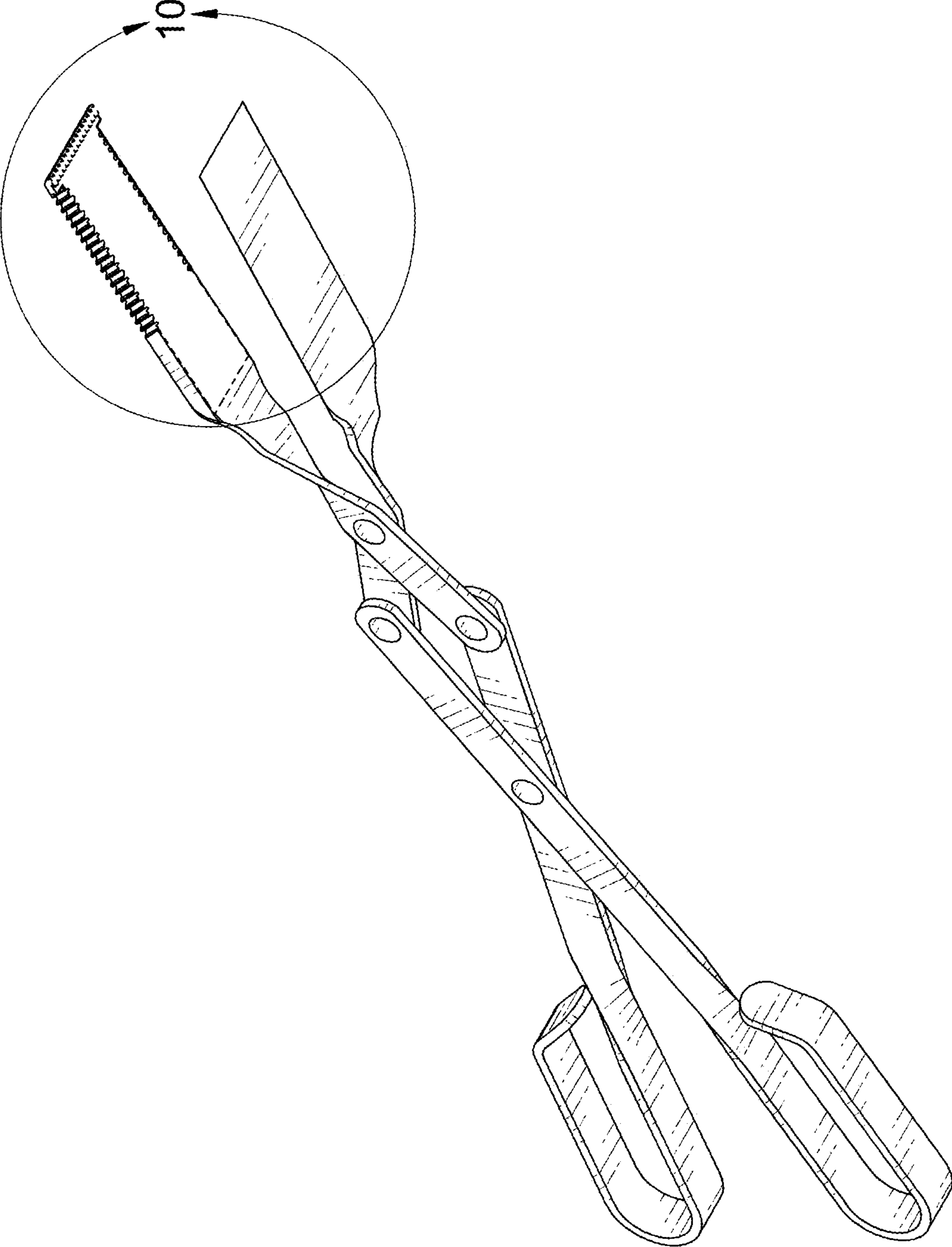


FIG. 2

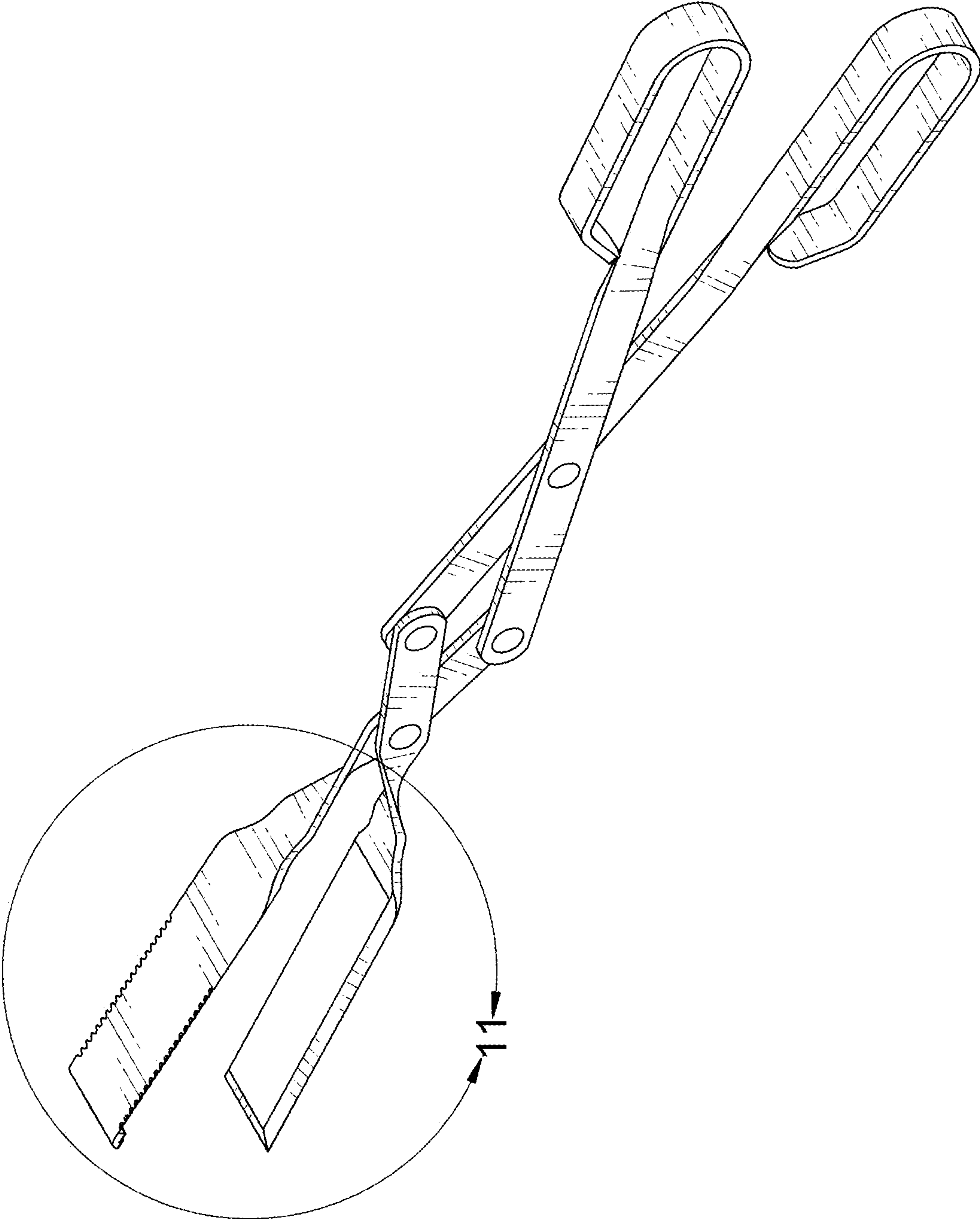


FIG. 3

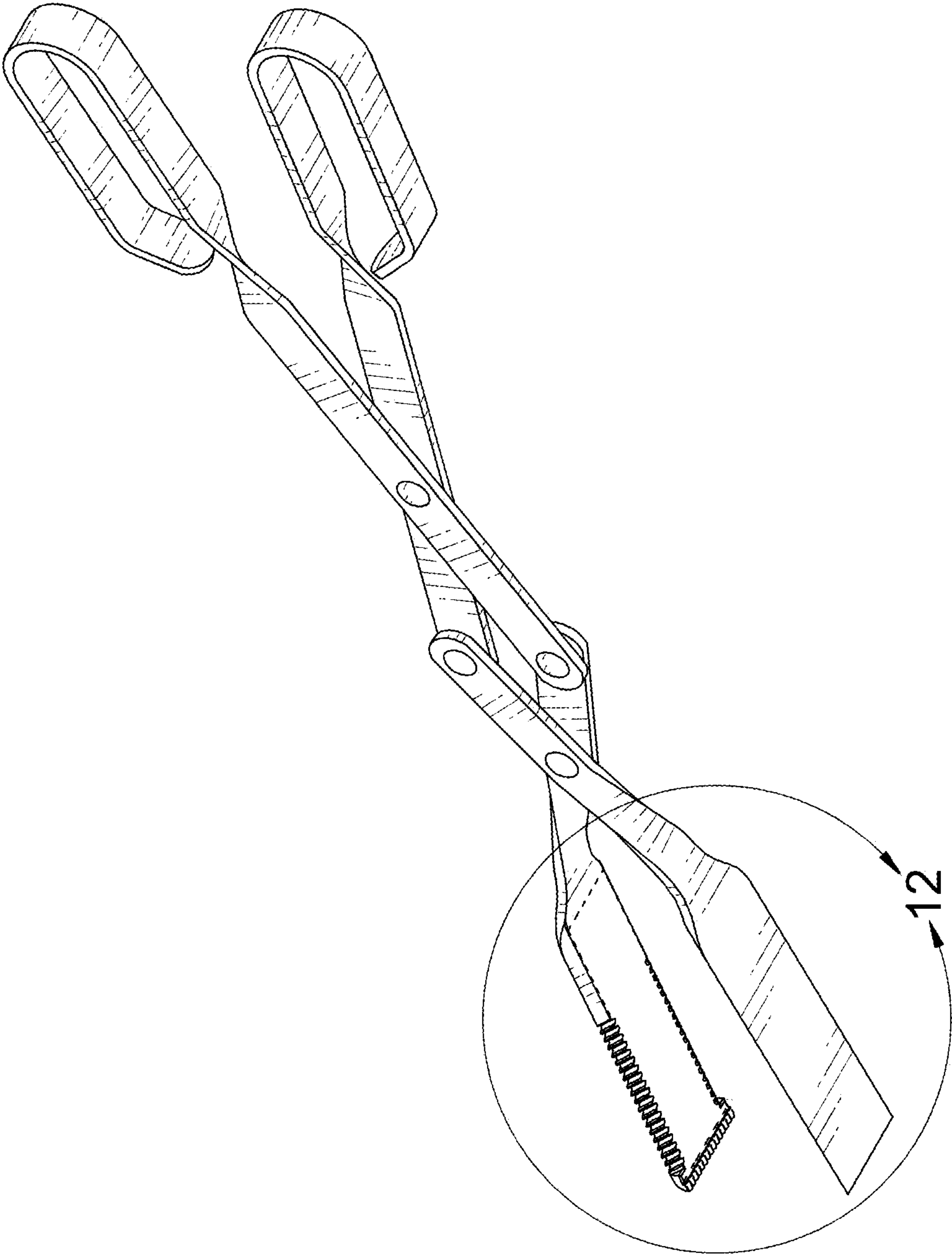


FIG. 4

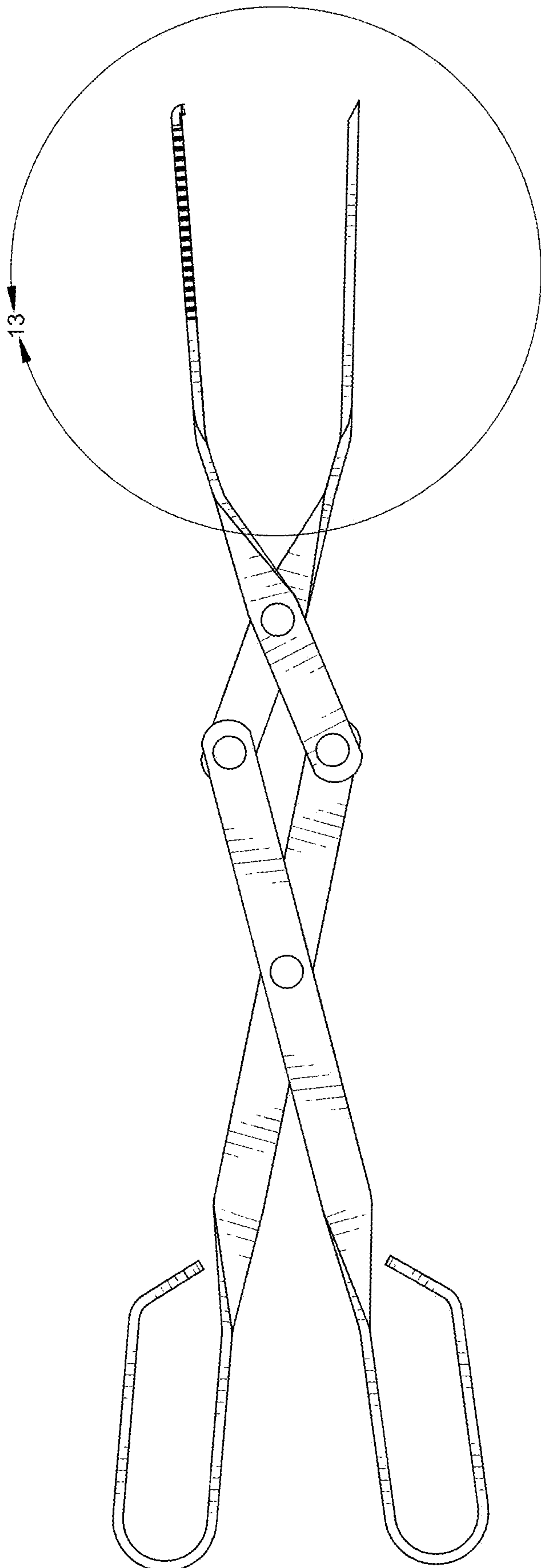


FIG. 5

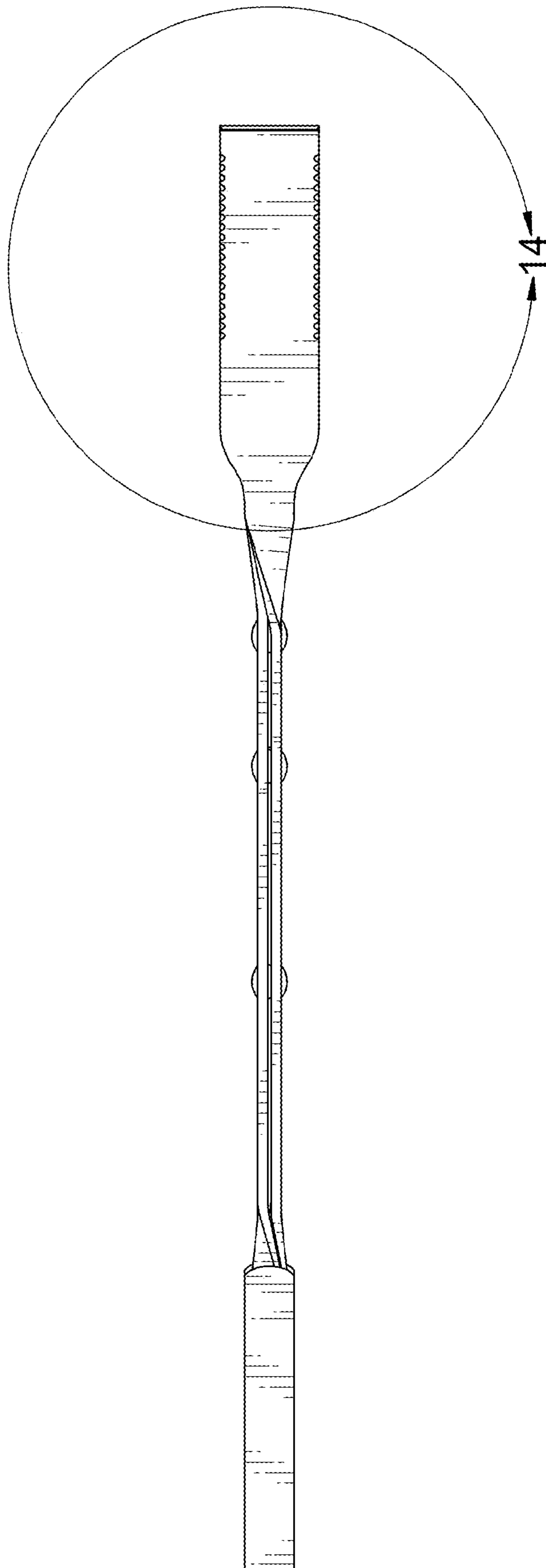


FIG. 6

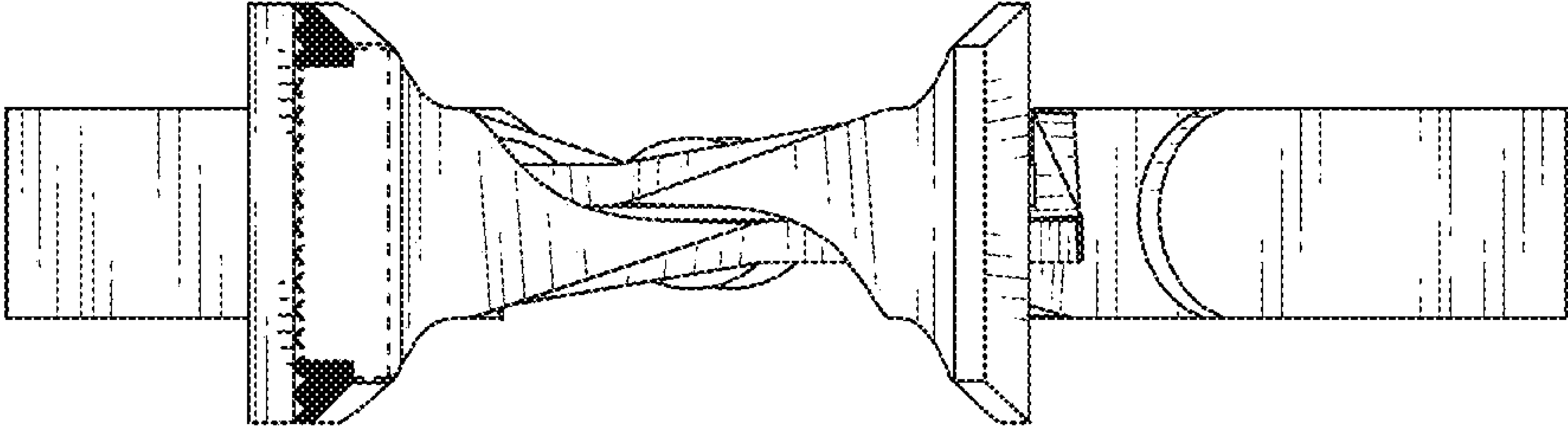


FIG. 7

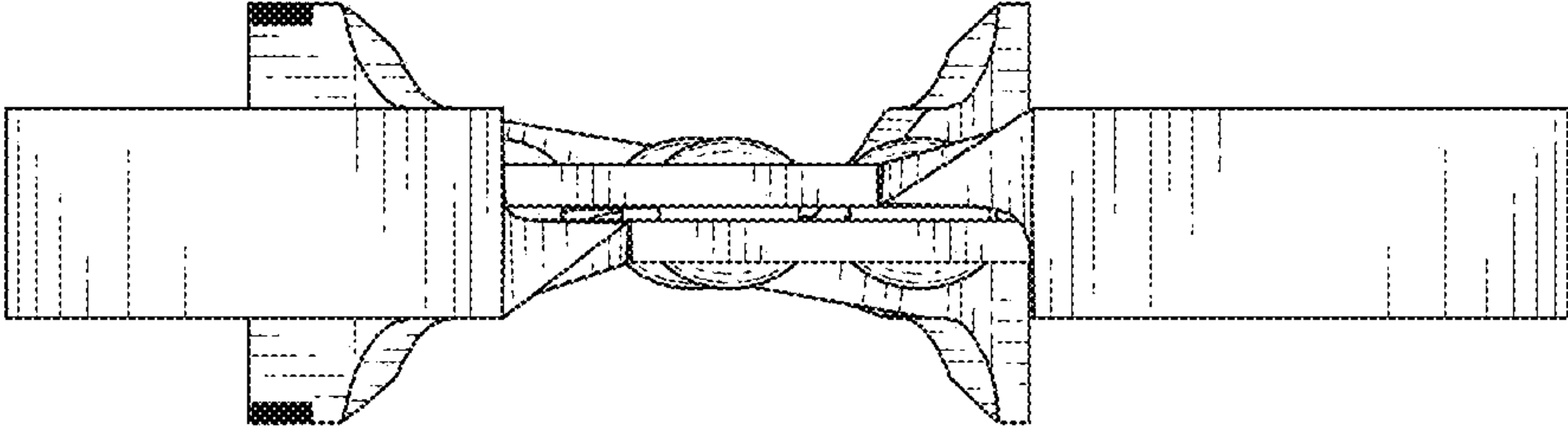


FIG. 8

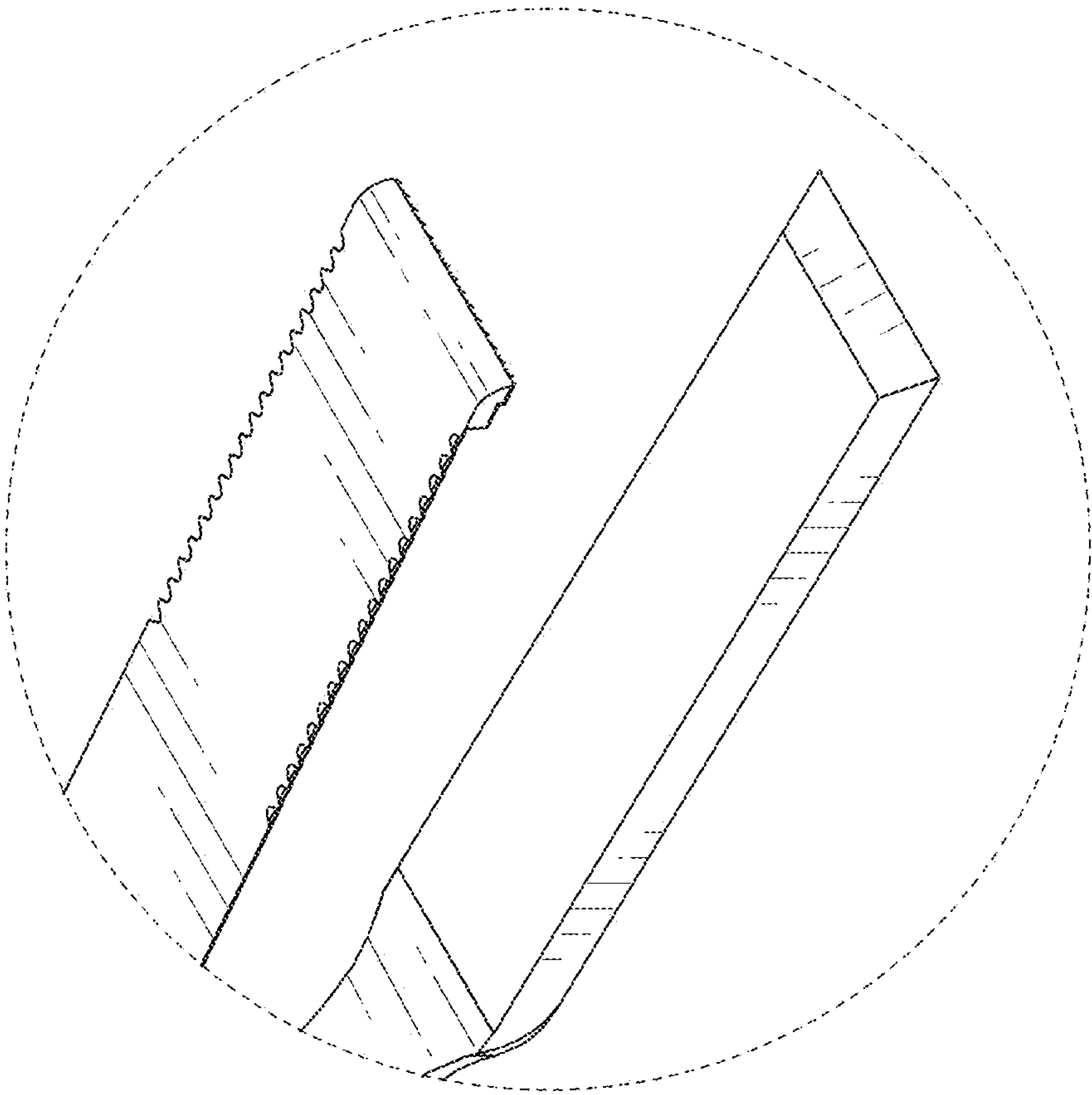


FIG. 9

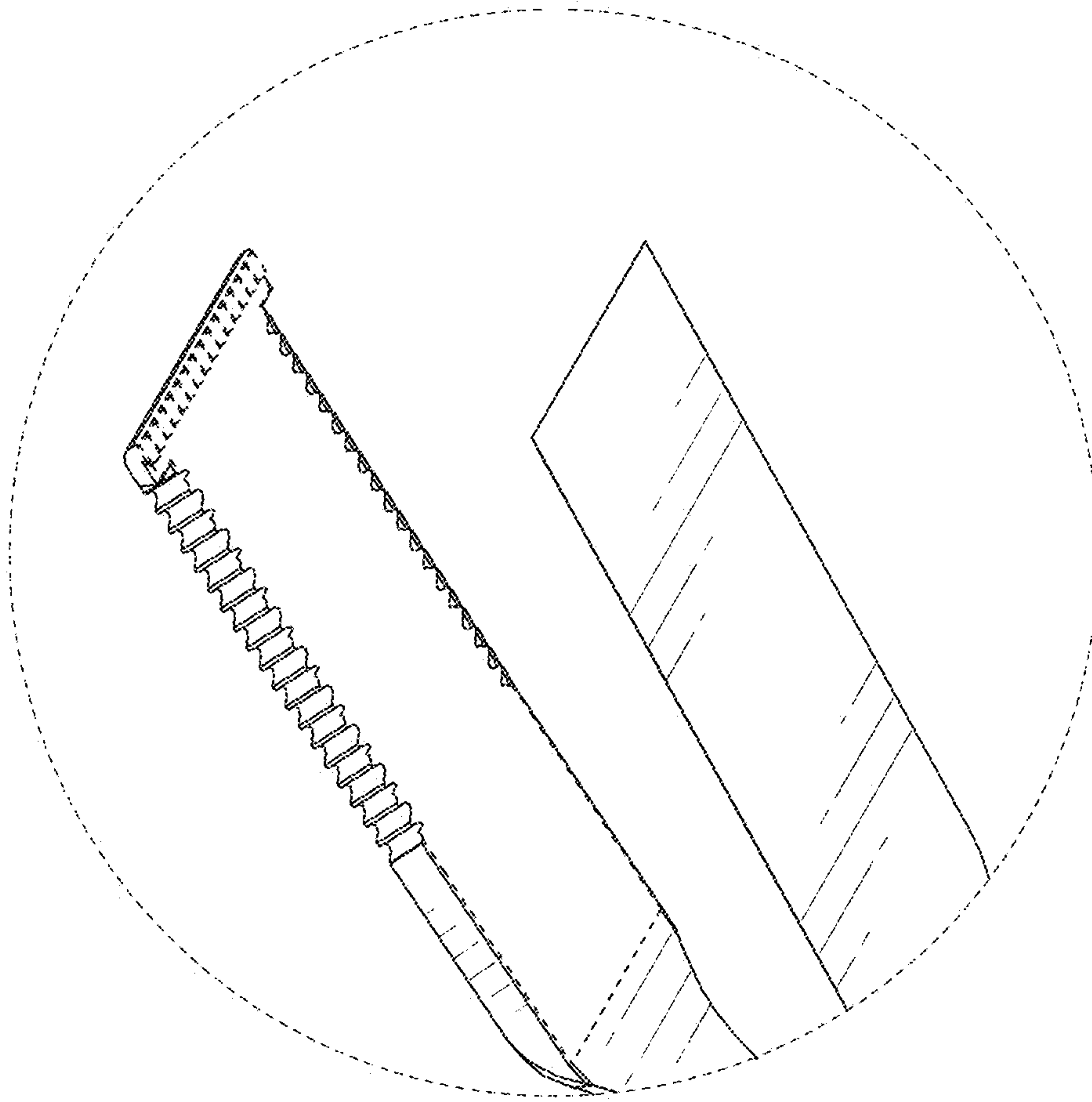


FIG. 10

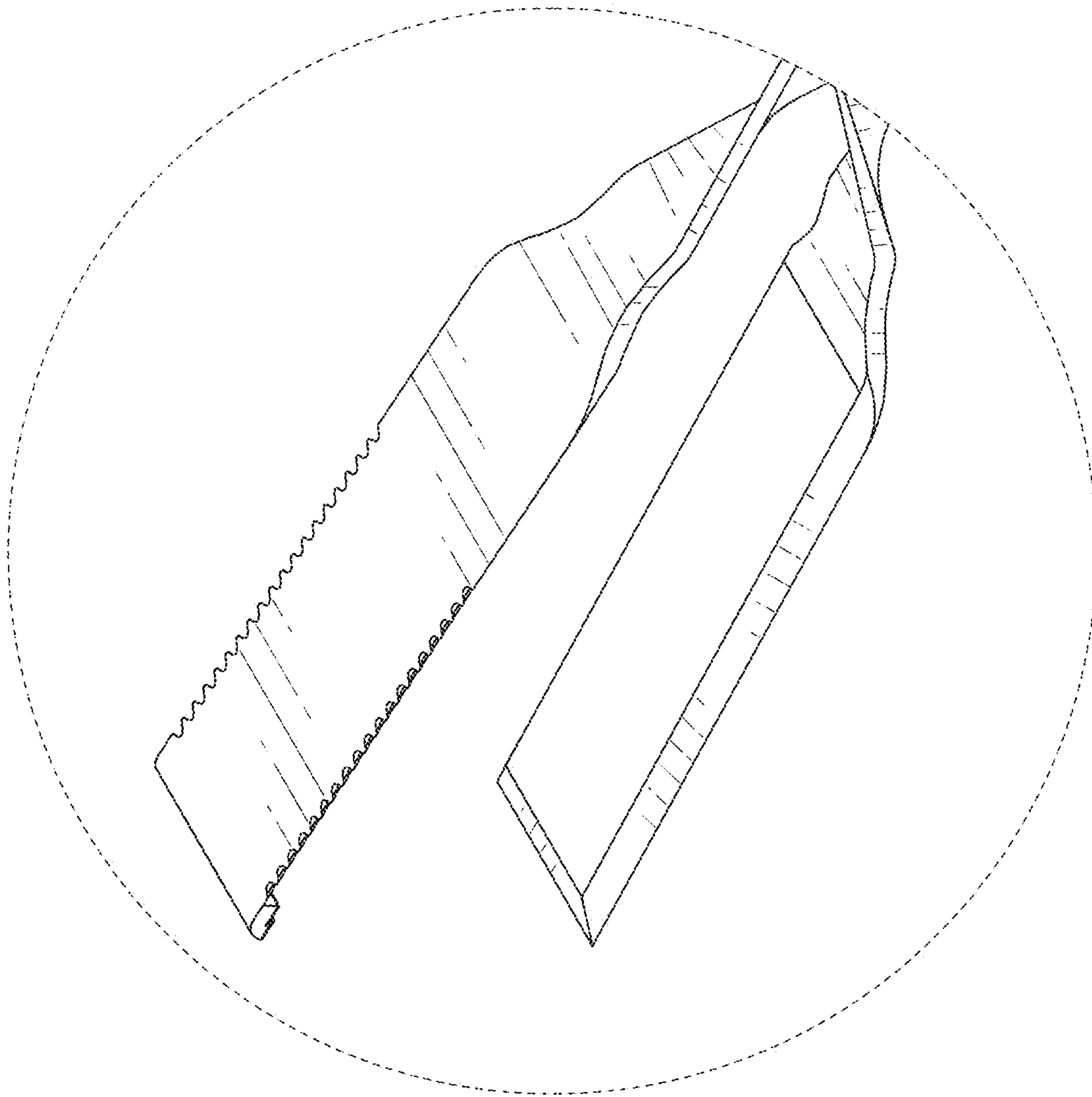


FIG. 11

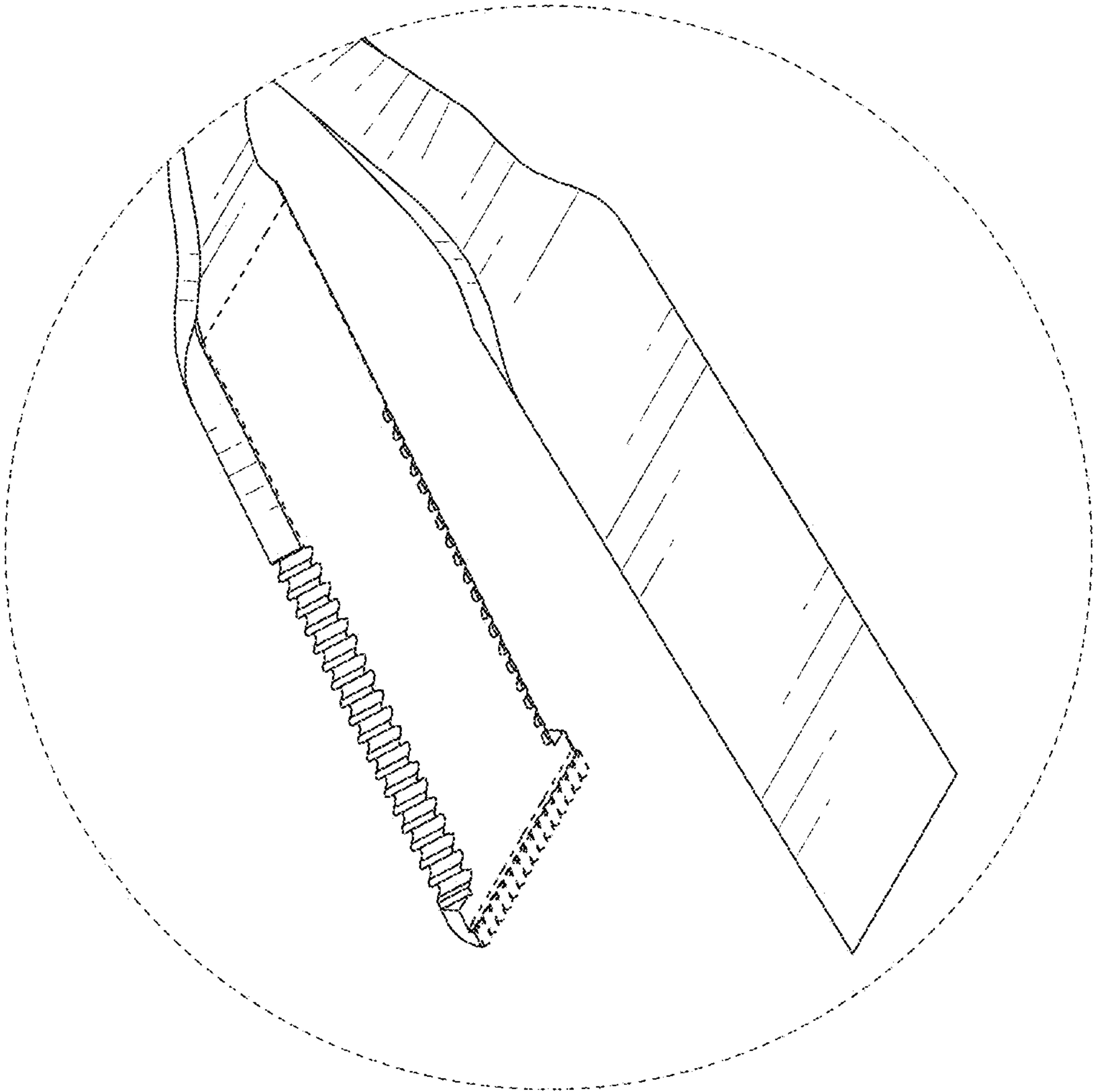


FIG. 12

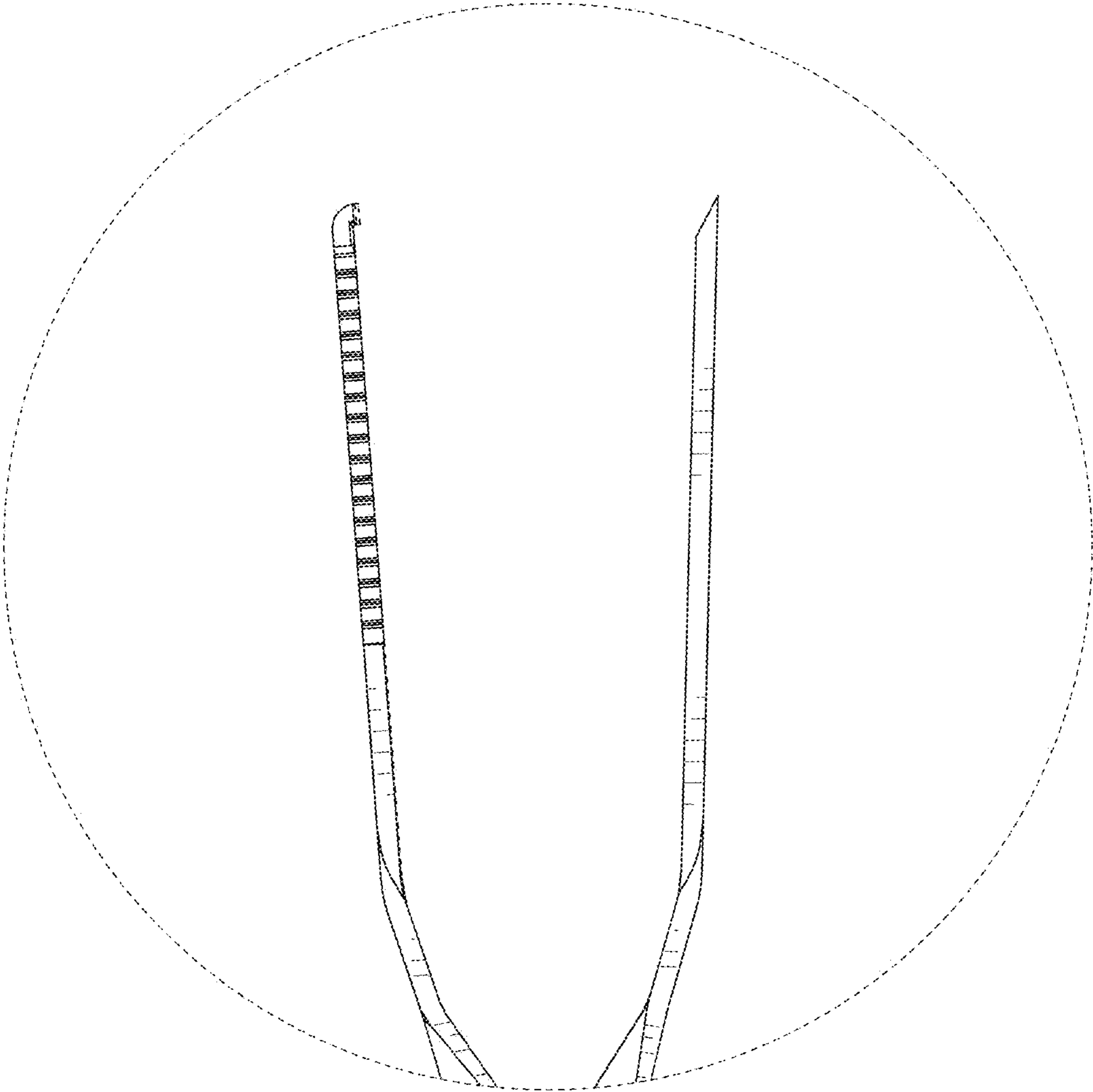


FIG. 13

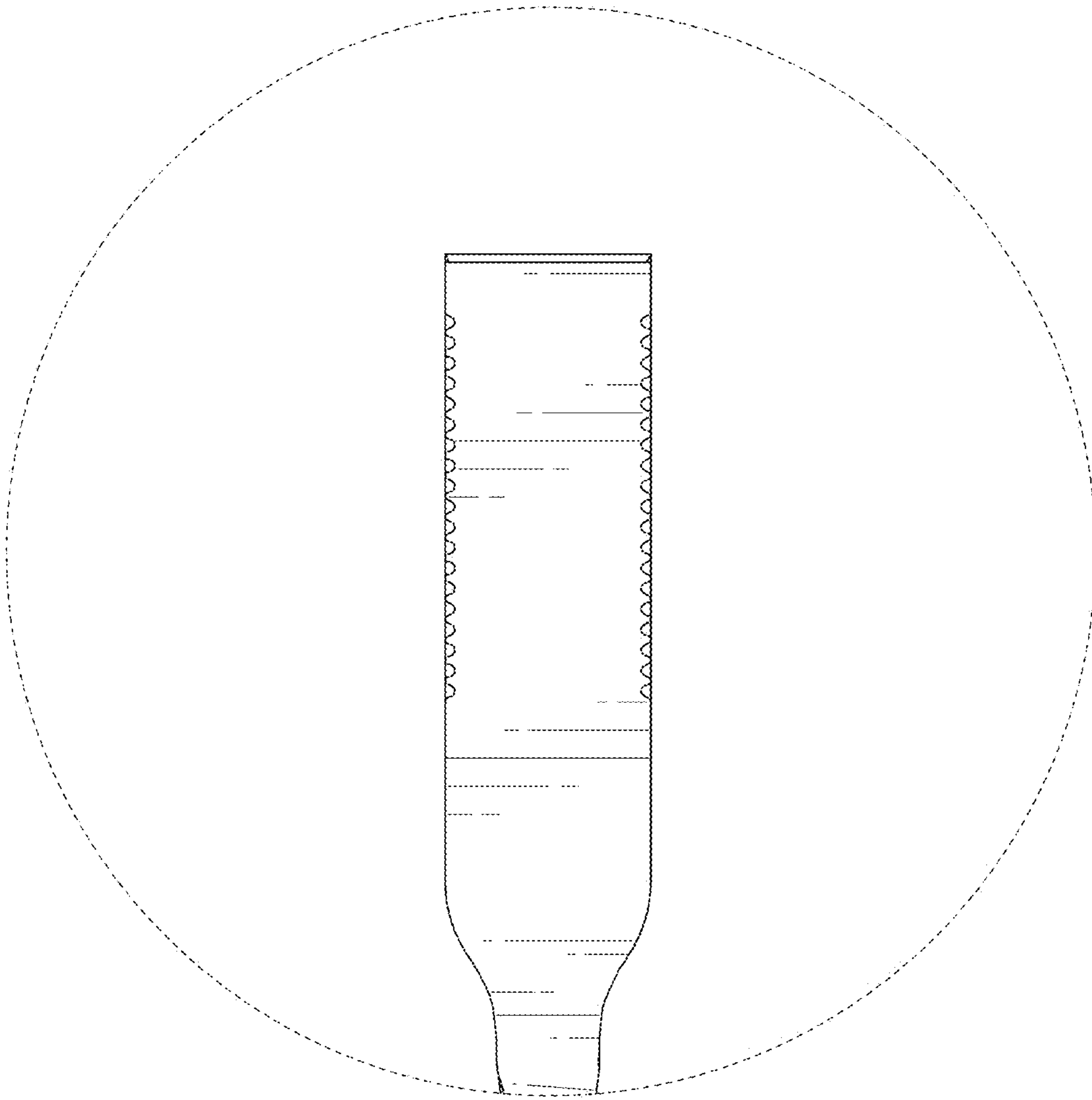


FIG. 14