



US00D890579S

(12) **United States Design Patent**
Snopok

(10) **Patent No.:** **US D890,579 S**

(45) **Date of Patent:** **** Jul. 21, 2020**

- (54) **INJECTOR FOR FOOD PRODUCTS**
- (71) Applicant: **Andrew Snopok**, Oak Harbor, WA (US)
- (72) Inventor: **Andrew Snopok**, Oak Harbor, WA (US)
- (**) Term: **15 Years**
- (21) Appl. No.: **29/732,138**
- (22) Filed: **Apr. 21, 2020**
- (51) **LOC (12) Cl.** **07-99**
- (52) **U.S. Cl.**
USPC **D7/669**
- (58) **Field of Classification Search**
USPC D7/669, 368, 412; D24/112, 114, 130; D8/61, 68, 29.2, 30
CPC A47J 37/00; A47J 37/106; A47J 43/28; A47J 43/16; A23B 4/28; A23B 4/32; A22C 17/0053; A22C 9/001; A22C 9/008; A22C 9/00; A61M 5/3135; A61M 5/315; A23L 13/72
See application file for complete search history.

- 4,064,879 A * 12/1977 Leibensohn A61M 5/486 604/121
- 4,178,660 A * 12/1979 Olney A22C 17/0053 99/450.8
- D263,271 S * 3/1982 Kalb D7/669
- 4,414,885 A 11/1983 Kelly
- 5,226,897 A * 7/1993 Nevens A61M 5/31511 604/218
- 5,507,221 A 4/1996 Lagares-Corominas
- 5,681,279 A 10/1997 Roper et al.
- 6,578,470 B2 * 6/2003 Backus A21C 15/007 426/281
- 7,681,494 B2 * 3/2010 Backus A23B 4/32 99/345
- D732,484 S 6/2015 Bruggemann et al.
(Continued)

FOREIGN PATENT DOCUMENTS

CN 203058194 7/2017

Primary Examiner — Terry A Wallace

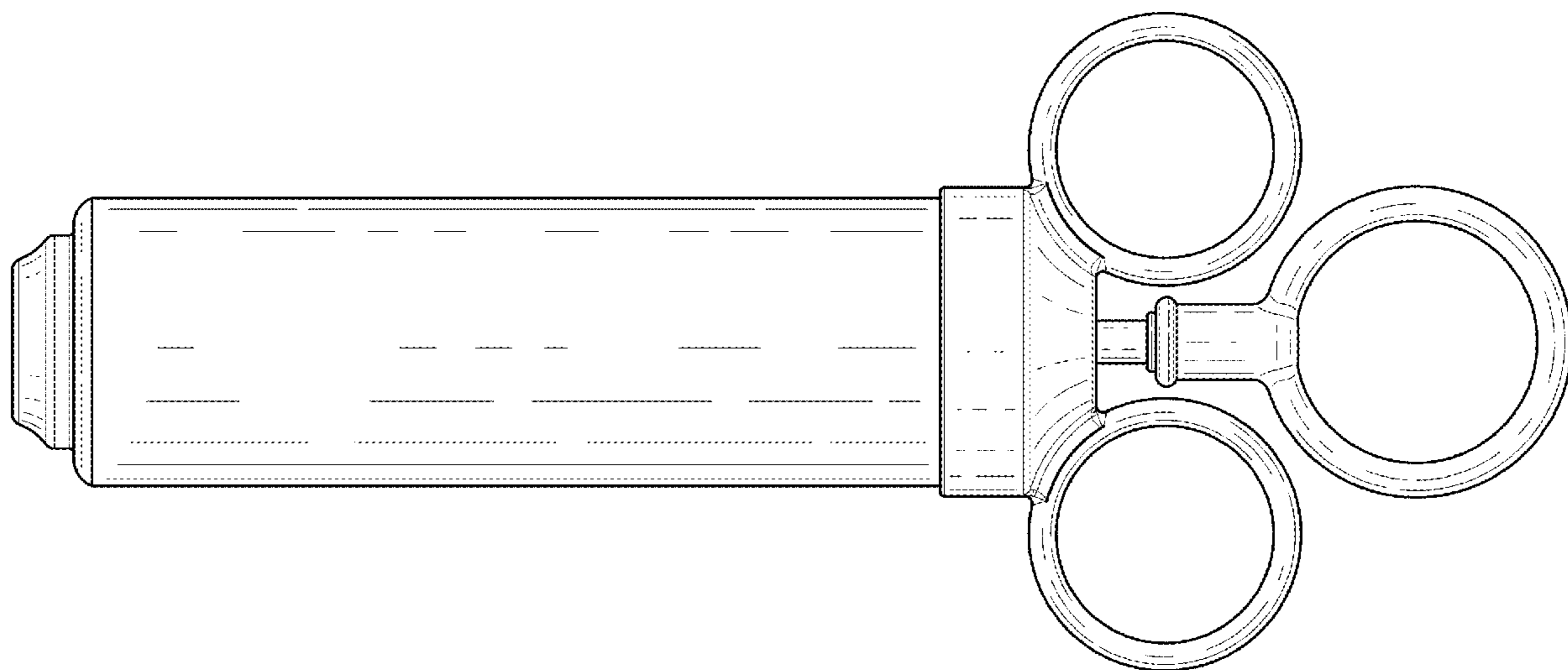
(57) **CLAIM**

The ornamental design for an injector for food products, as shown and described.

DESCRIPTION

FIG. 1 is a front view of the injector for food products showing my new design;
 FIG. 2 is a top view thereof;
 FIG. 3 is a left side view thereof;
 FIG. 4 is a right side view thereof;
 FIG. 5 is a perspective view thereof;
 FIG. 6 is a needles and pipe-cleaners view thereof;
 FIG. 7 is an alternative perspective view of the injector for food products with a needle; and,
 FIG. 8 is an exploded view of the injector for food products with an alternative needle.
 The needles and pipe cleaners in FIG. 6, are shown separately for clarity of illustration. FIGS. 7 and 8 are shown with a needle for clarity of illustration.

1 Claim, 7 Drawing Sheets



(56)

References Cited

U.S. PATENT DOCUMENTS

D765,239	S	8/2016	Hauck et al.
D767,119	S	9/2016	Hauck et al.
D773,039	S	11/2016	Sanders et al.
2002/0195003	A1	12/2002	Backus
2011/0297014	A1	12/2011	Patel

* cited by examiner

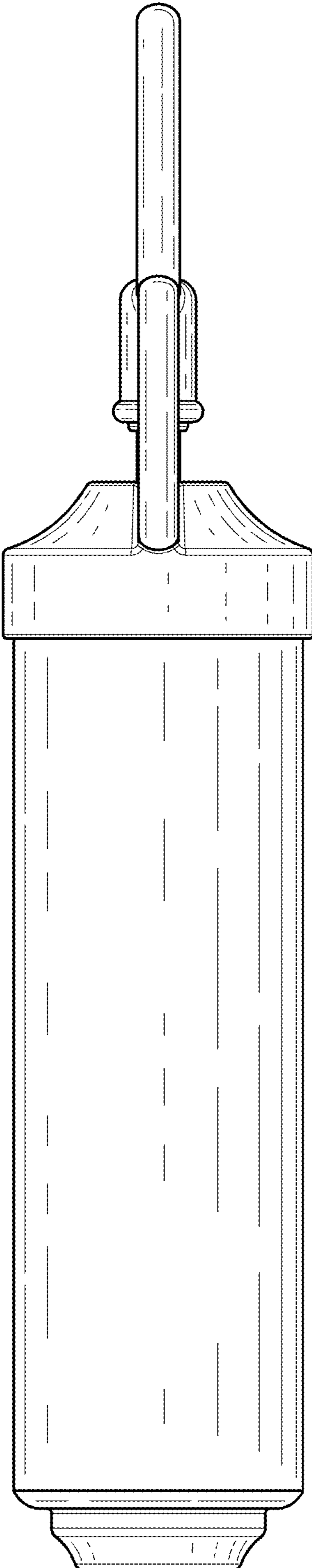


FIG. 1

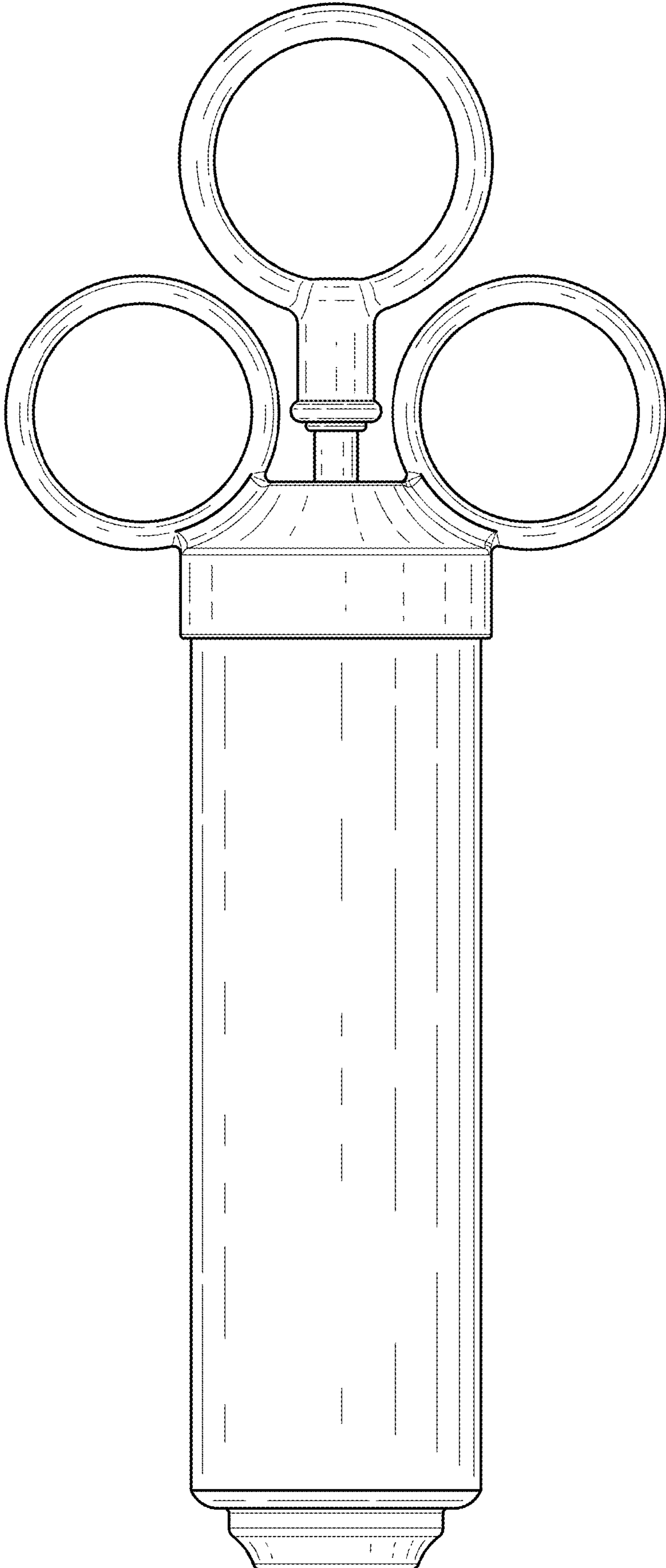


FIG. 2

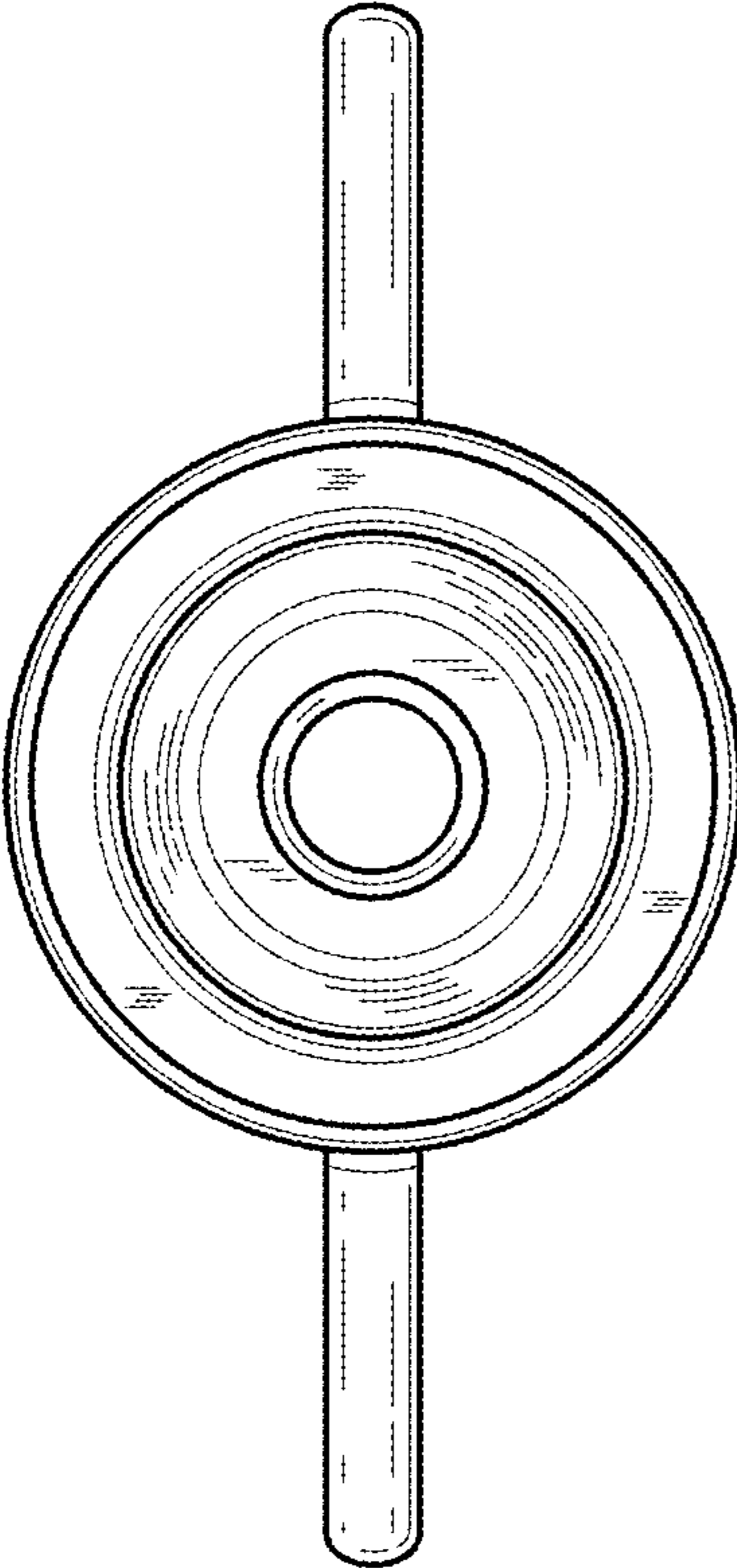


FIG. 3

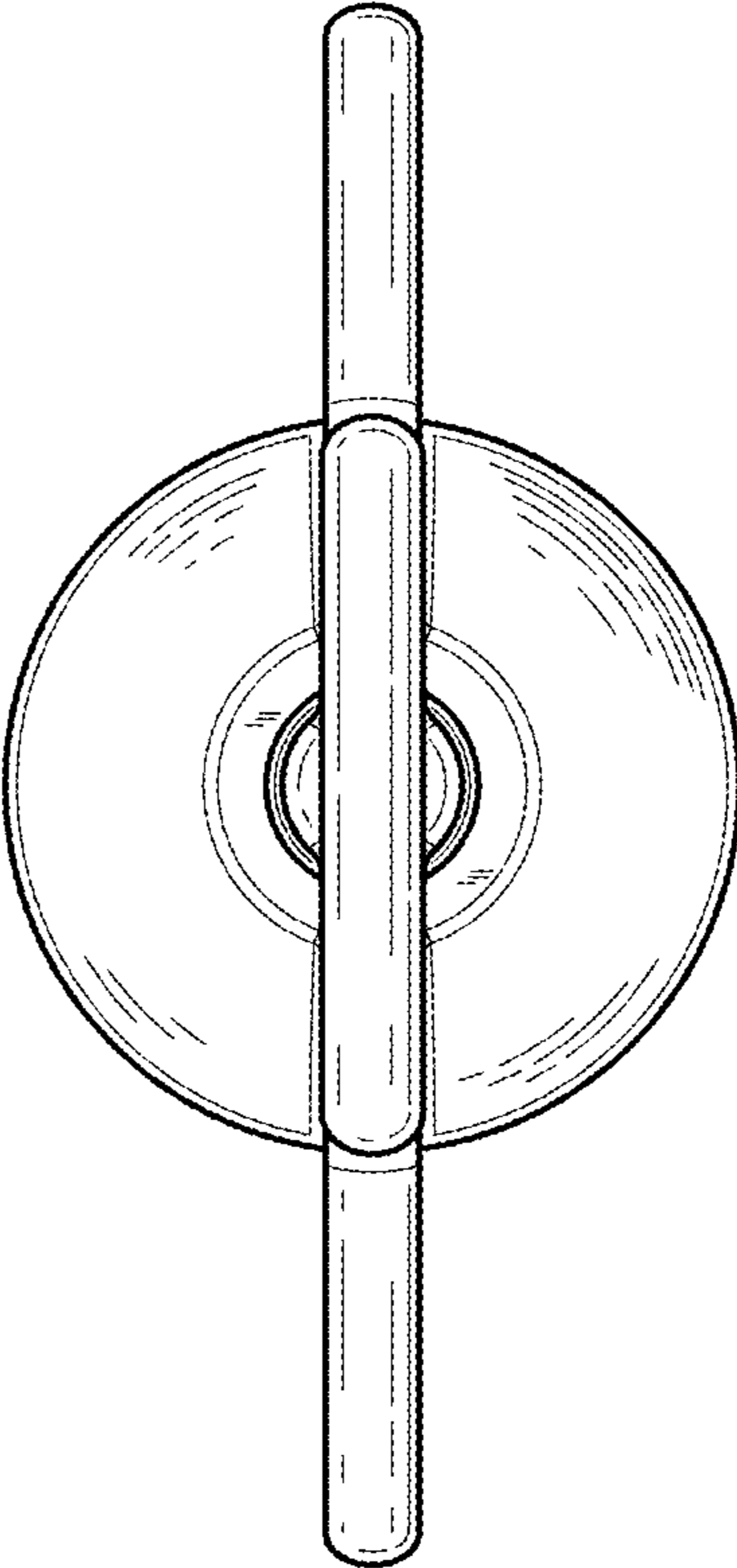


FIG. 4

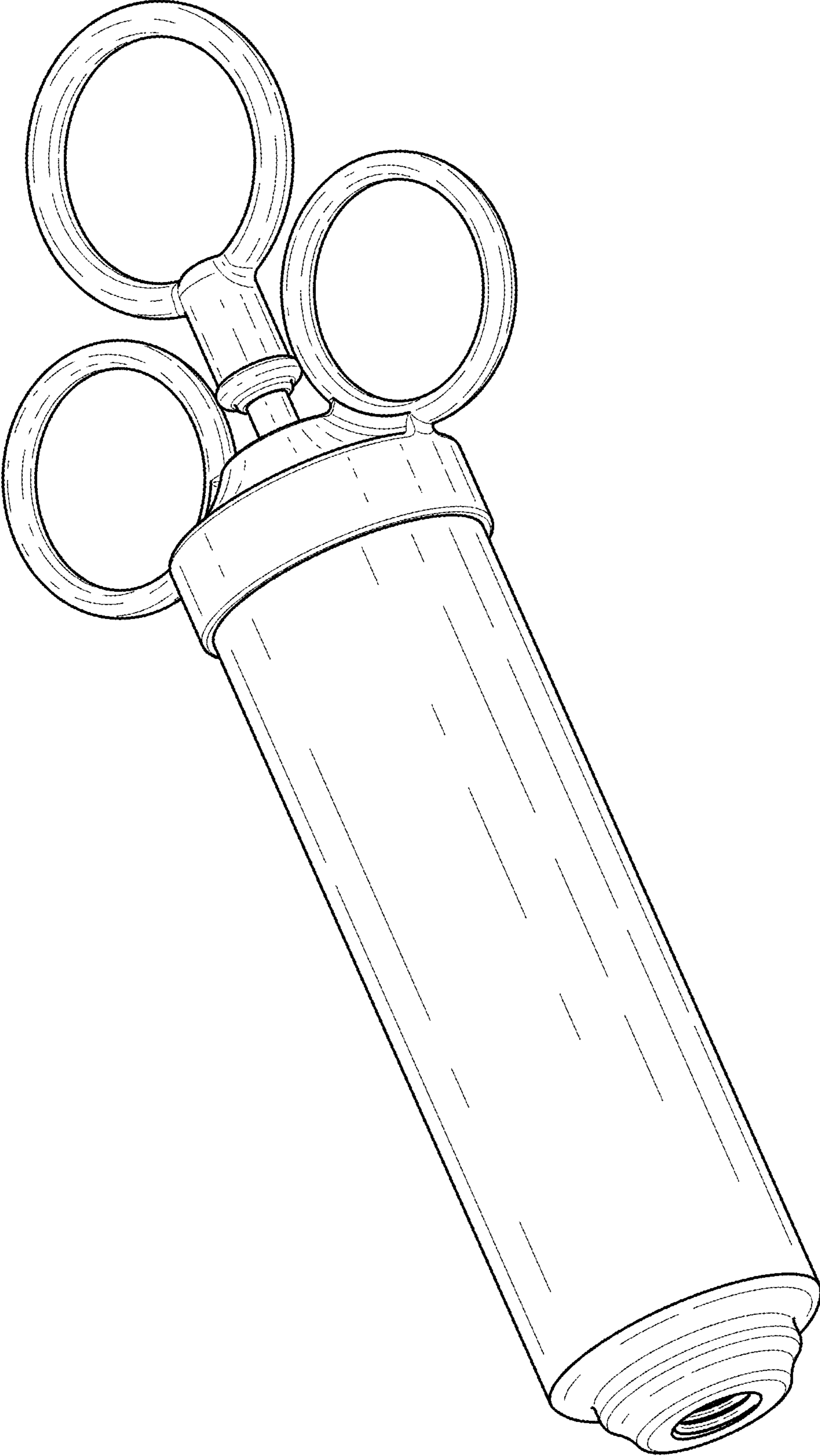


FIG. 5

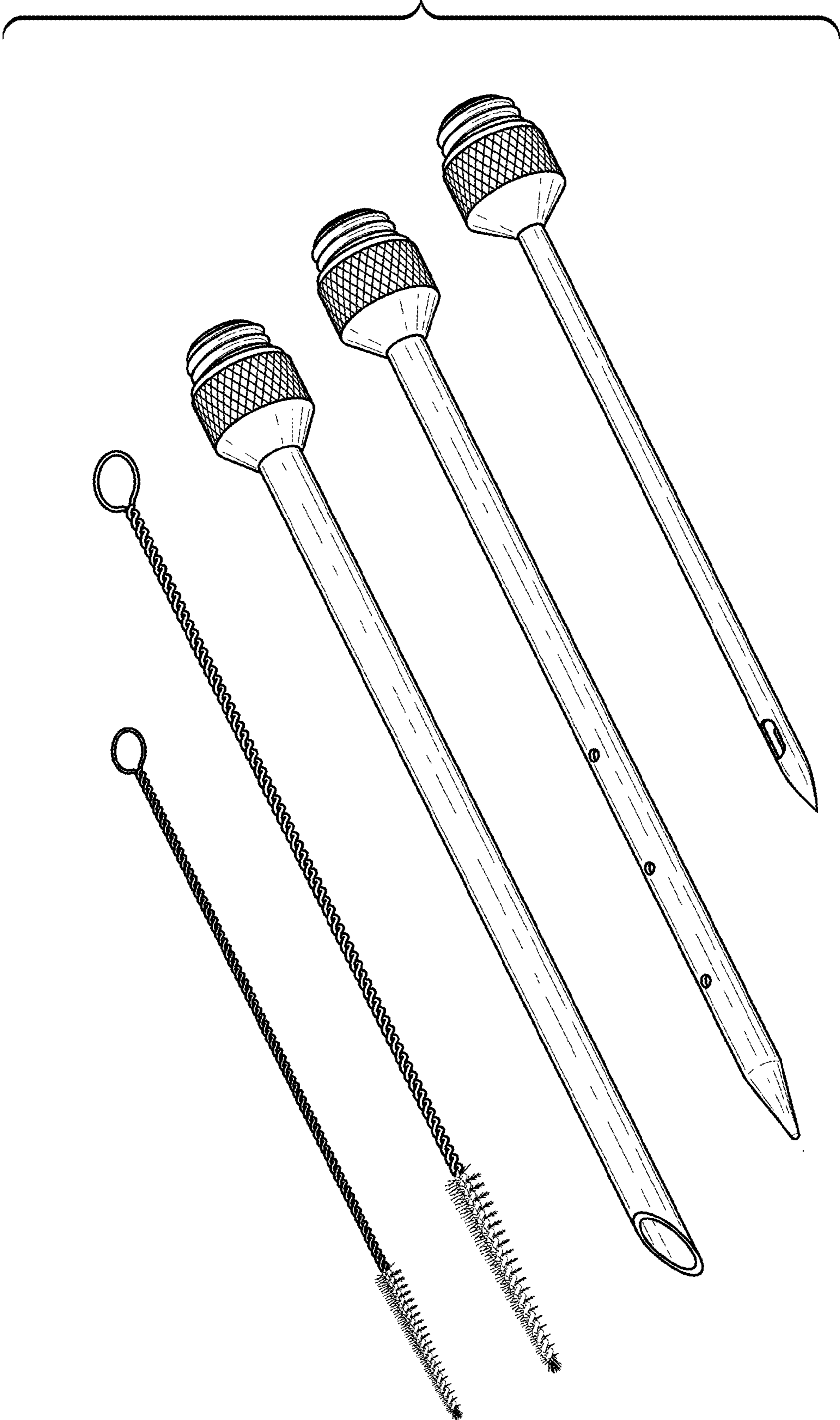


FIG. 6

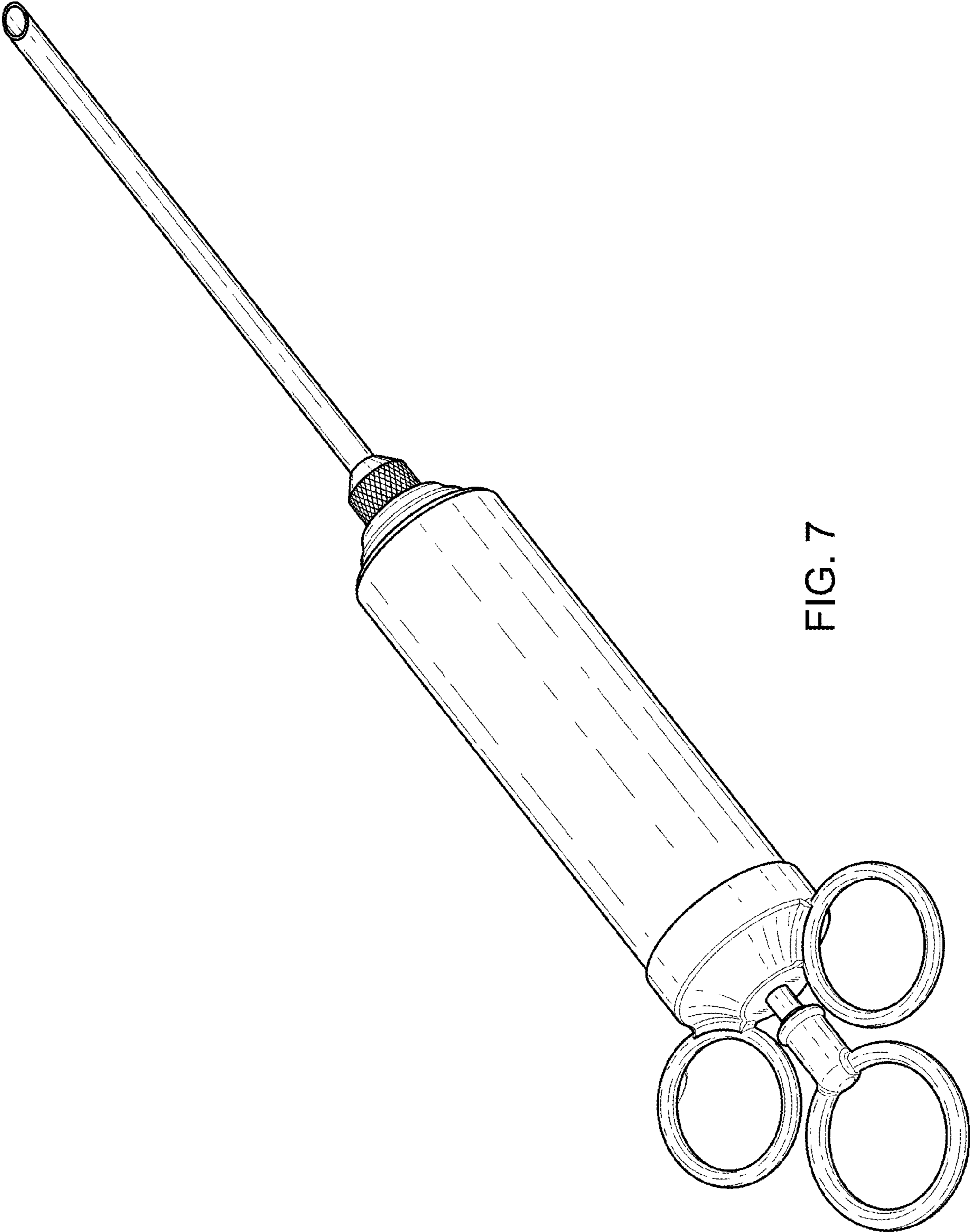


FIG. 7

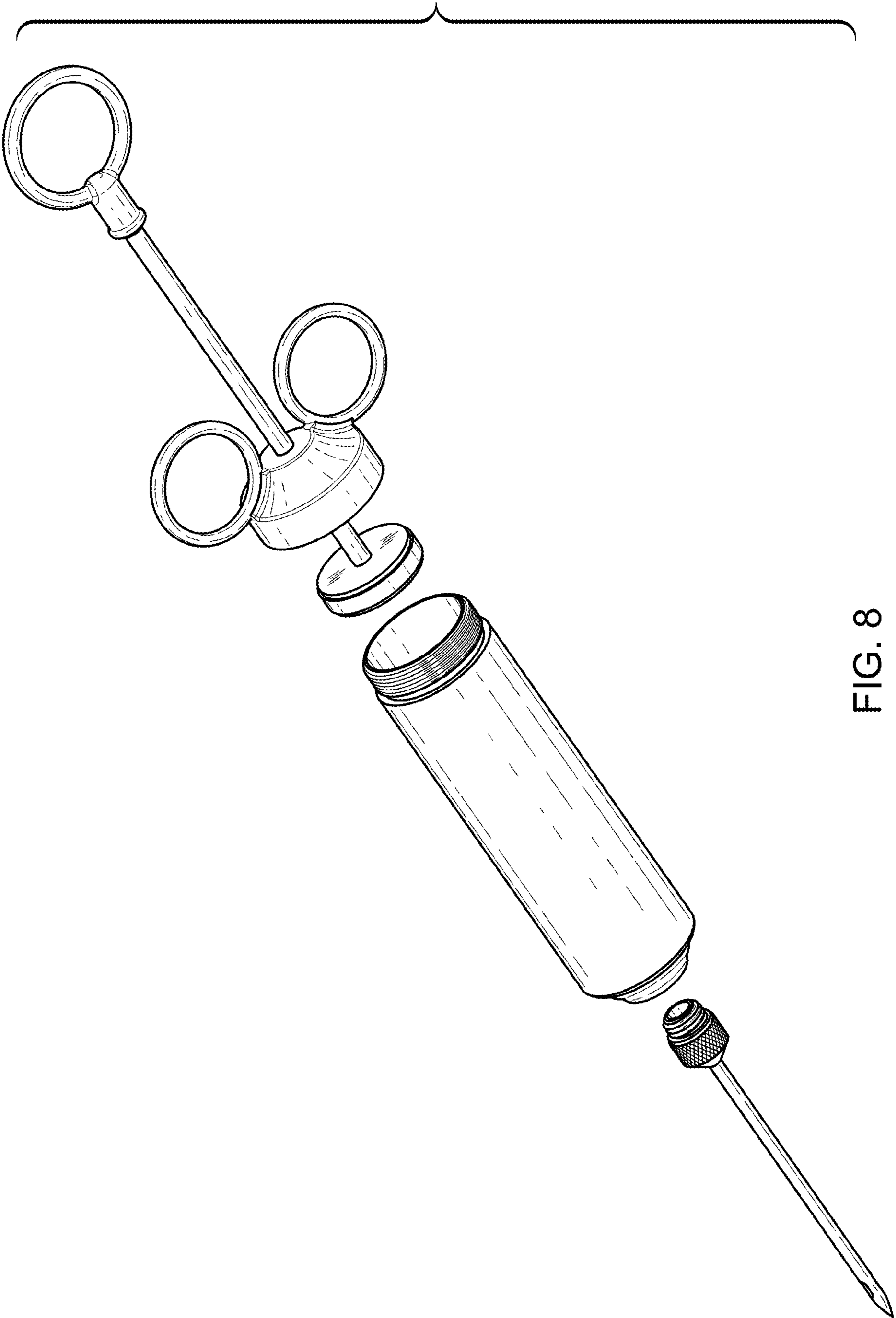


FIG. 8



US00D890579C1

(12) **EX PARTE REEXAMINATION CERTIFICATE** (12167th)
United States Patent
Snopok

(10) **Number:** **US D890,579 C1**

(45) **Certificate Issued:** **Nov. 15, 2022**

(54) **INJECTOR FOR FOOD PRODUCTS**

(71) Applicant: **Andrew Snopok**, Oak Harbor, WA
(US)

(72) Inventor: **Andrew Snopok**, Oak Harbor, WA
(US)

Reexamination Request:

No. 90/014,810, Jul. 23, 2021

Reexamination Certificate for:

Patent No.: **Des. 890,579**

Issued: **Jul. 21, 2020**

Appl. No.: **29/732,138**

Filed: **Apr. 21, 2020**

(51) **LOC (13) Cl.** **07-99**

(52) **U.S. Cl.**

USPC **D7/669**

(58) **Field of Classification Search**

USPC D7/669, 368; D24/112, 114, 130

CPC .. A47J 43/28; A47J 43/16; A22C 9/00; A22C

9/001; A22C 9/008; A22C 17/0053; A23B

4/28; A23B 4/32; A23L 13/72; A61M

5/3135; A61M 5/3129; A61M 5/315

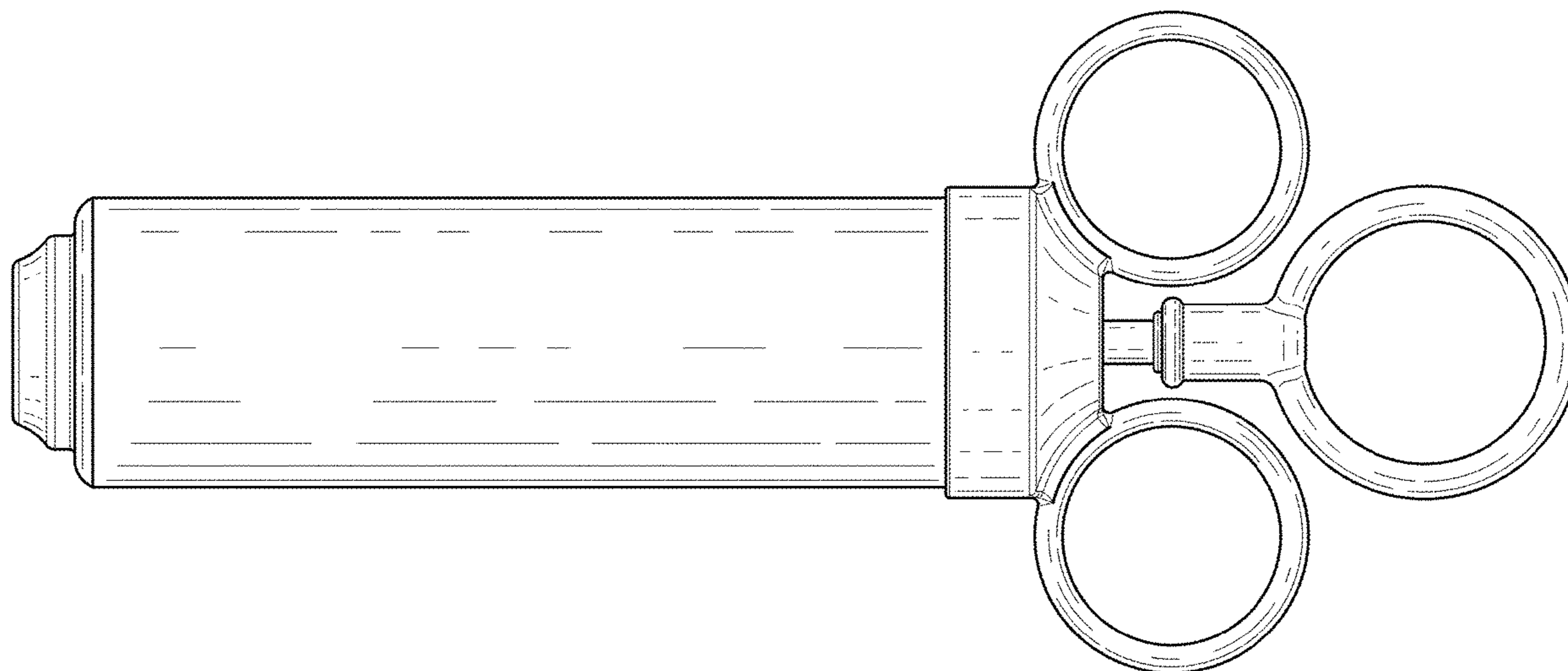
See application file for complete search history.

(56)

References Cited

To view the complete listing of prior art documents cited during the proceeding for Reexamination Control Number 90/014,810, please refer to the USPTO's Patent Electronic System.

Primary Examiner — Philip S Hyder



1
EX PARTE
REEXAMINATION CERTIFICATE

THE PATENT IS HEREBY AMENDED AS 5
INDICATED BELOW.

AS A RESULT OF REEXAMINATION, IT HAS BEEN
DETERMINED THAT:

The claim 1 is cancelled. 10

* * * * *