

US00D890577S

(12) **United States Design Patent** (10) **Patent No.:** **US D890,577 S**
Cotter (45) **Date of Patent:** **** Jul. 21, 2020**

(54) **COMBINED LID AND SPOON REST**

6,505,746 B1 * 1/2003 Johnson A47J 47/16
211/70.7

(71) Applicant: **Progressive International Corporation, Kent, WA (US)**

D475,898 S 6/2003 Kaposi
D476,197 S * 6/2003 Kaposi D7/637
D527,228 S * 8/2006 Joseph D7/637
D543,793 S * 6/2007 Lion D7/601
D582,219 S * 12/2008 Prevost D7/601
9,526,378 B2 * 12/2016 Heron A47J 47/16
2013/0284863 A1 10/2013 Daniel

(72) Inventor: **Jennifer K. Cotter, Seattle, WA (US)**

(73) Assignee: **Progressive International Corporation, Kent, WA (US)**

* cited by examiner

(**) Term: **15 Years**

Primary Examiner — Janice Patyk

(21) Appl. No.: **29/657,193**

(74) *Attorney, Agent, or Firm* — Lowe Graham Jones PLLC

(22) Filed: **Jul. 19, 2018**

(57) **CLAIM**

(51) **LOC (12) Cl.** **07-07**

I claim the ornamental design for a combined lid and spoon rest, as shown and described.

(52) **U.S. Cl.**

USPC **D7/637**

DESCRIPTION

(58) **Field of Classification Search**

USPC D3/306; D6/566-574; D7/631, D7/637-641; 211/41.4, 70.7, 85.31, 211/90.03, 106, 126.8, 126.9, 133.2, 211/133.5; 220/485-488, 491; 248/37.3, 248/37.6, 153, 175

CPC . A47B 88/00; A47B 88/20; A47F 7/00; A47F 7/14; A47G 21/00; A47G 21/16; B65D 1/34; B65D 1/36; B65D 21/046; B65D 21/048; G09F 1/14

See application file for complete search history.

FIG. 1 is a top perspective view of a combined lid and spoon rest, showing my new design.

FIG. 2 is a front elevational view of the combined lid and spoon rest.

FIG. 3 is a rear elevational view of the combined lid and spoon rest.

FIG. 4 is a left side elevational view of the combined lid and spoon rest.

FIG. 5 is a right side elevational view of the combined lid and spoon rest.

FIG. 6 is a top plan view of the combined lid and spoon rest; and,

FIG. 7 is a bottom plan view of the combined lid and spoon rest.

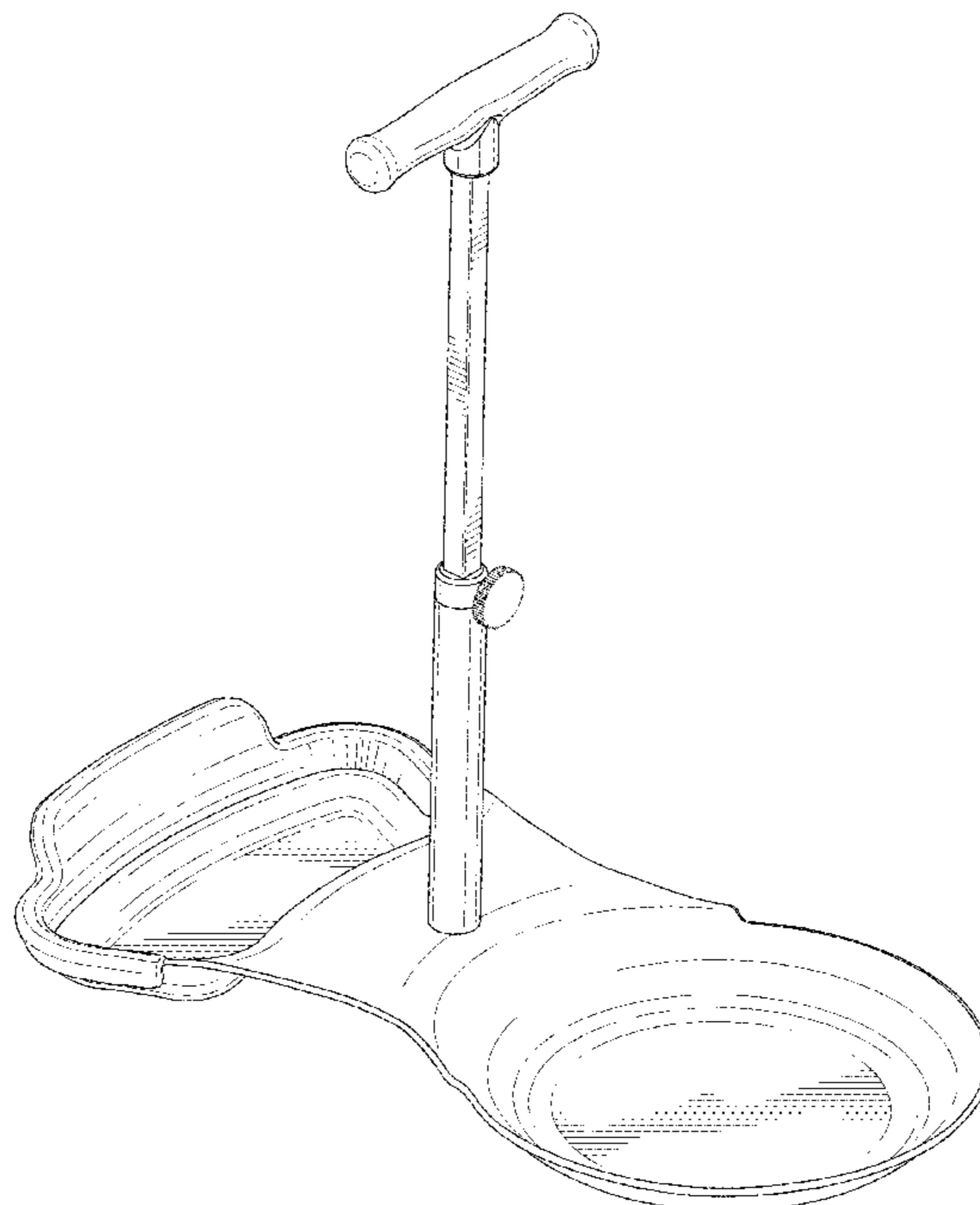
The broken lines in the figures illustrate the portions of the design that form no part of the claimed design.

(56) **References Cited**

U.S. PATENT DOCUMENTS

D44,485 S 8/1913 McNair
D255,311 S 6/1980 Dunne
5,396,993 A 3/1995 Spitler
D400,058 S * 10/1998 Grier D7/637
D408,229 S * 4/1999 Hong D7/601

1 Claim, 7 Drawing Sheets



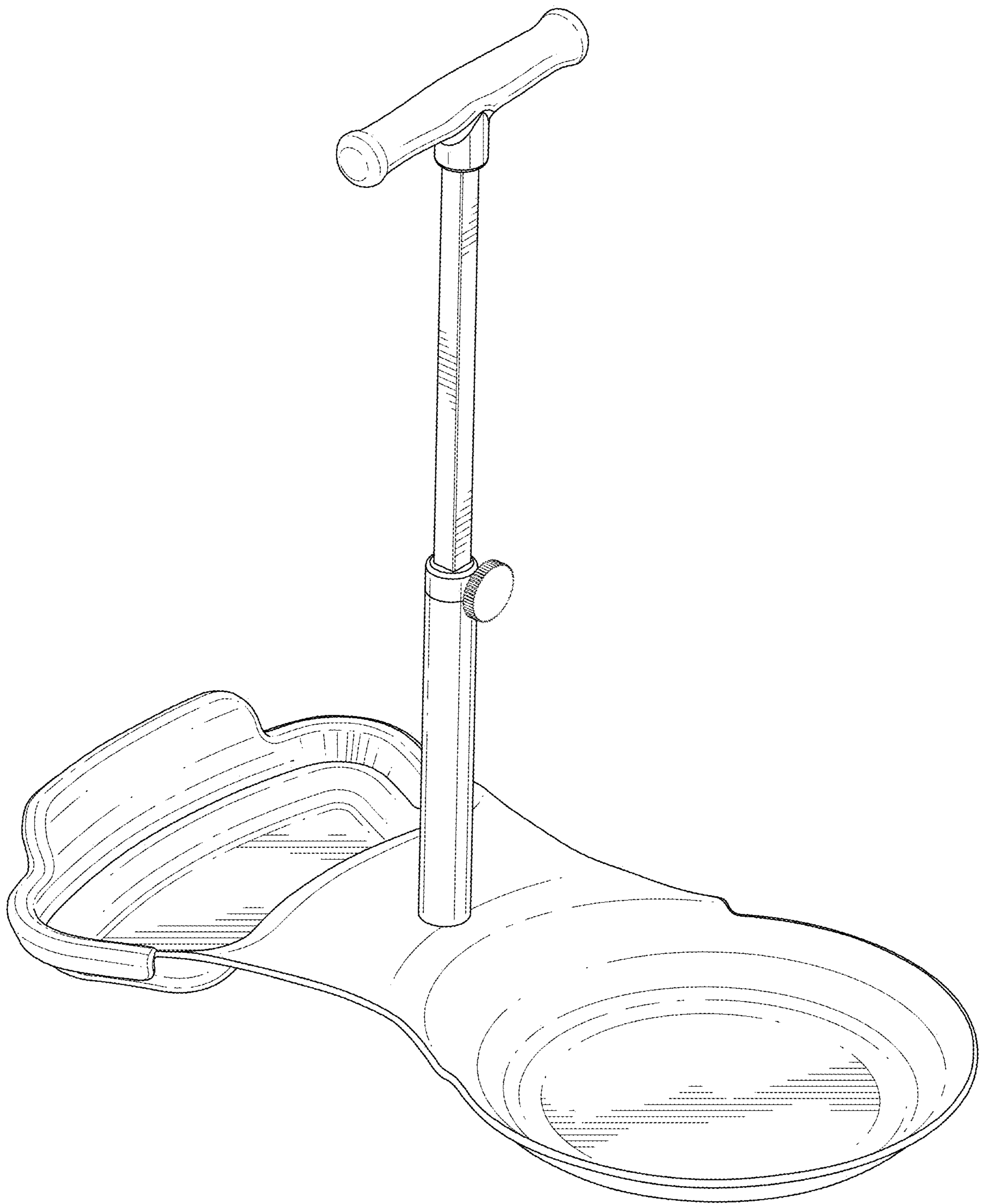


FIG. 1

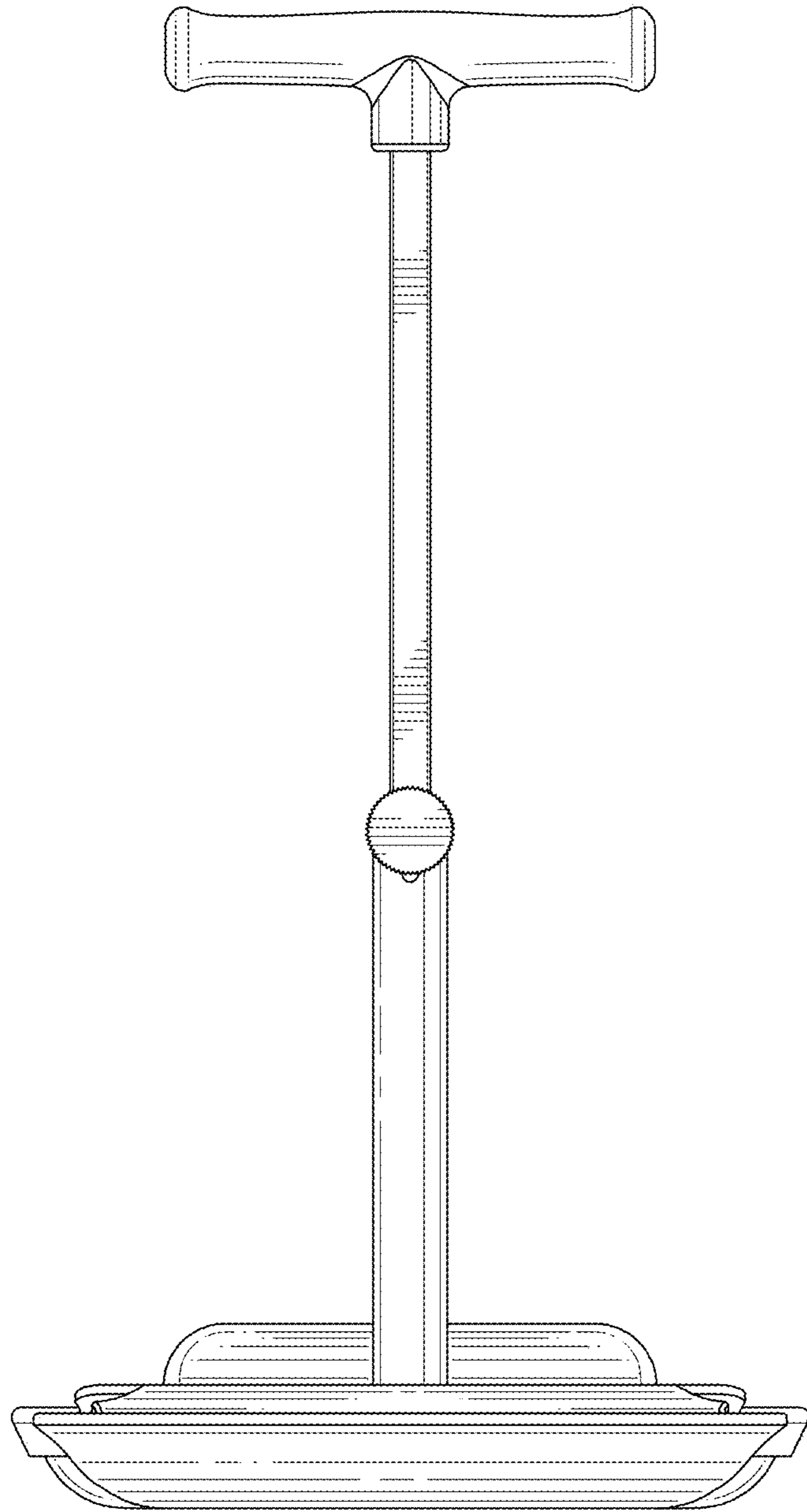


FIG. 2

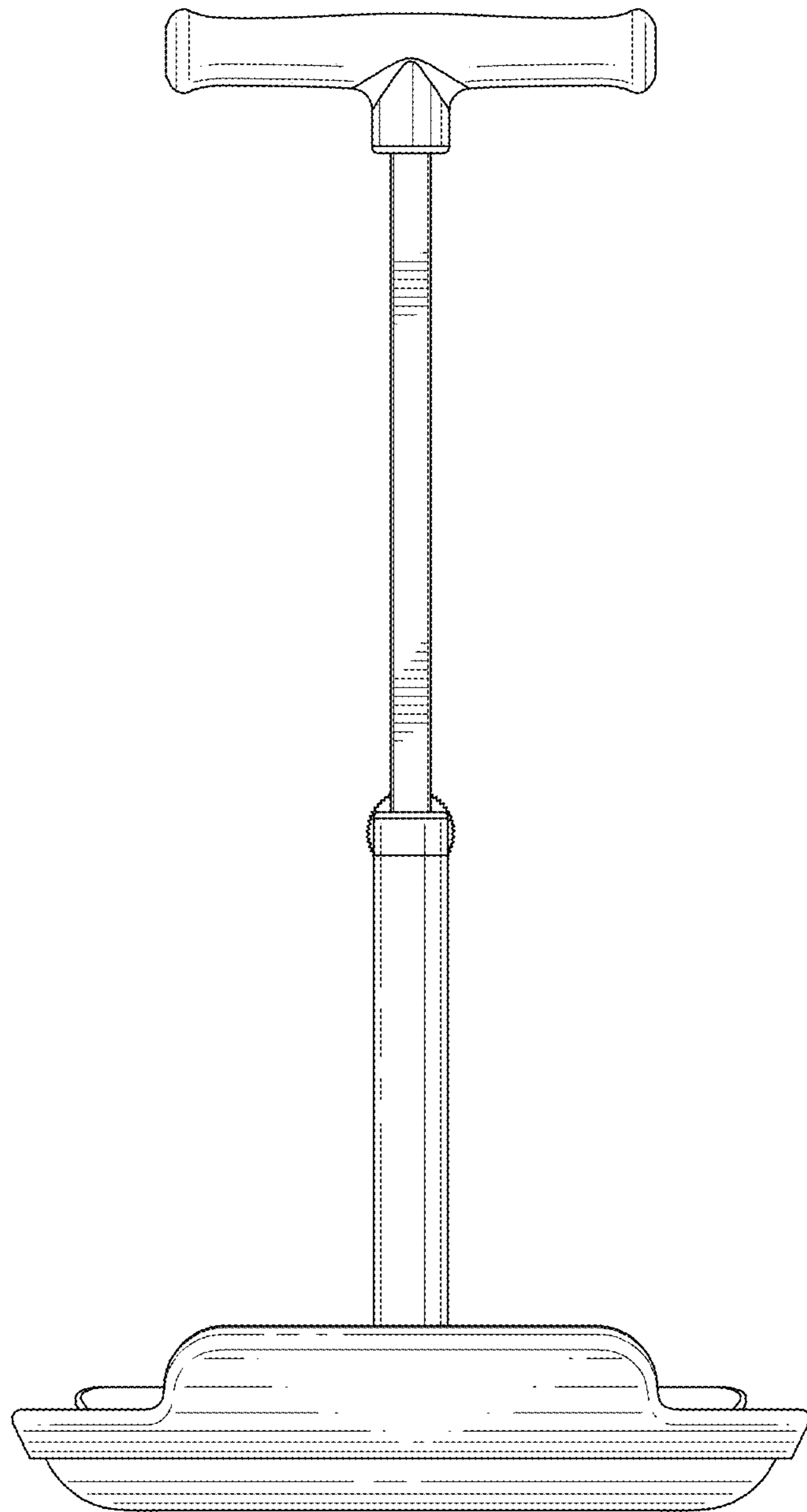


FIG. 3

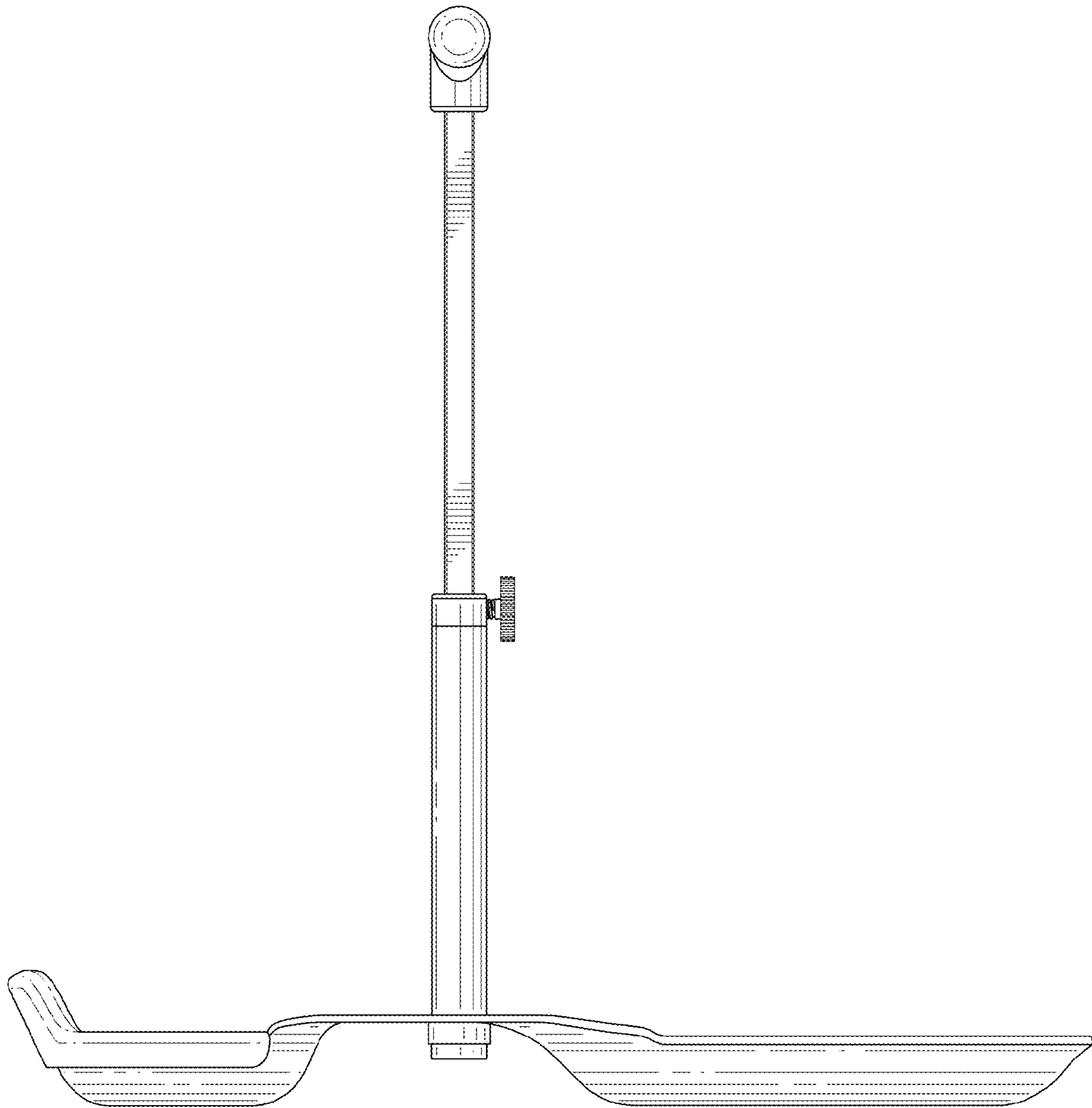


FIG. 4

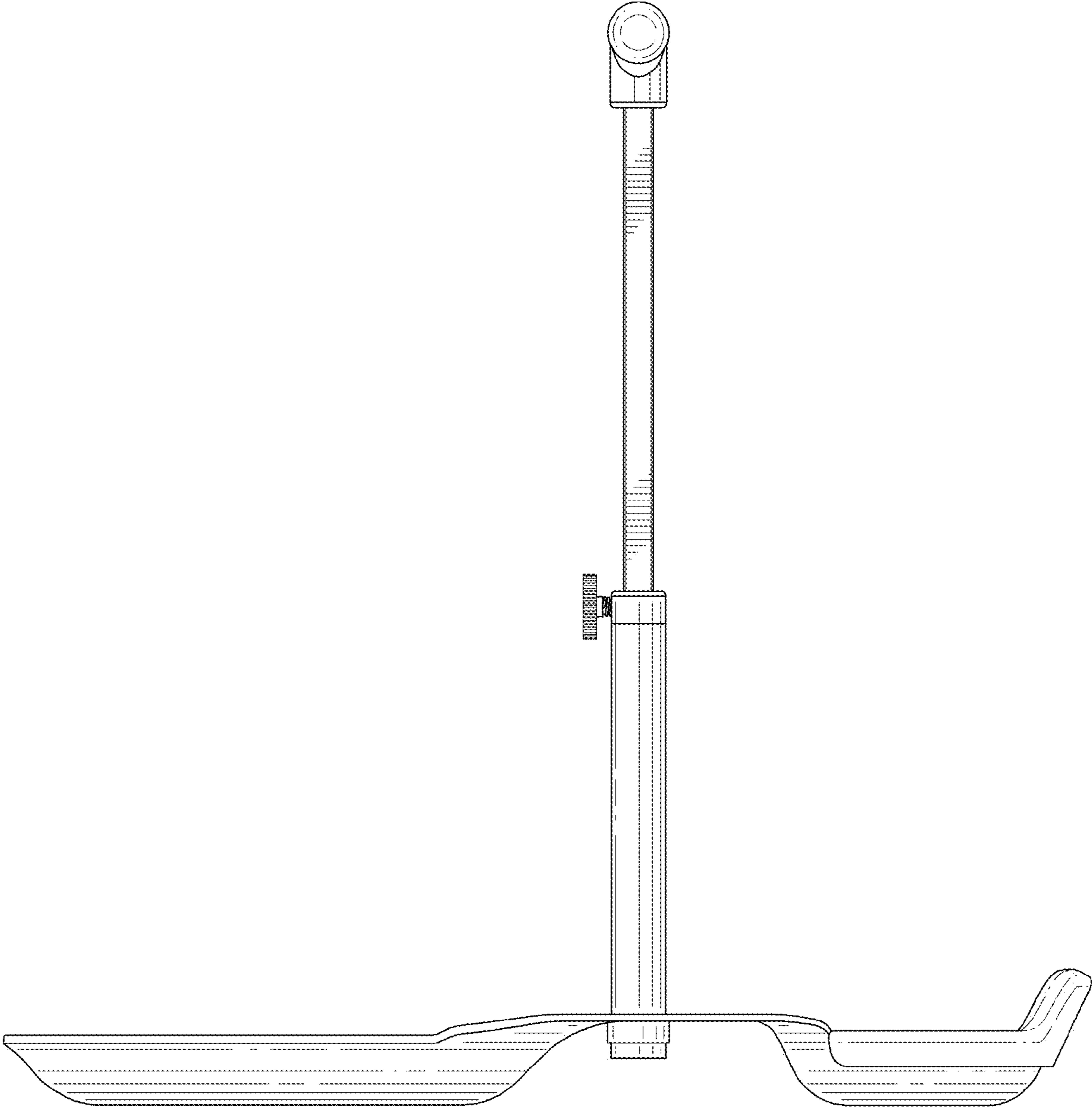


FIG. 5

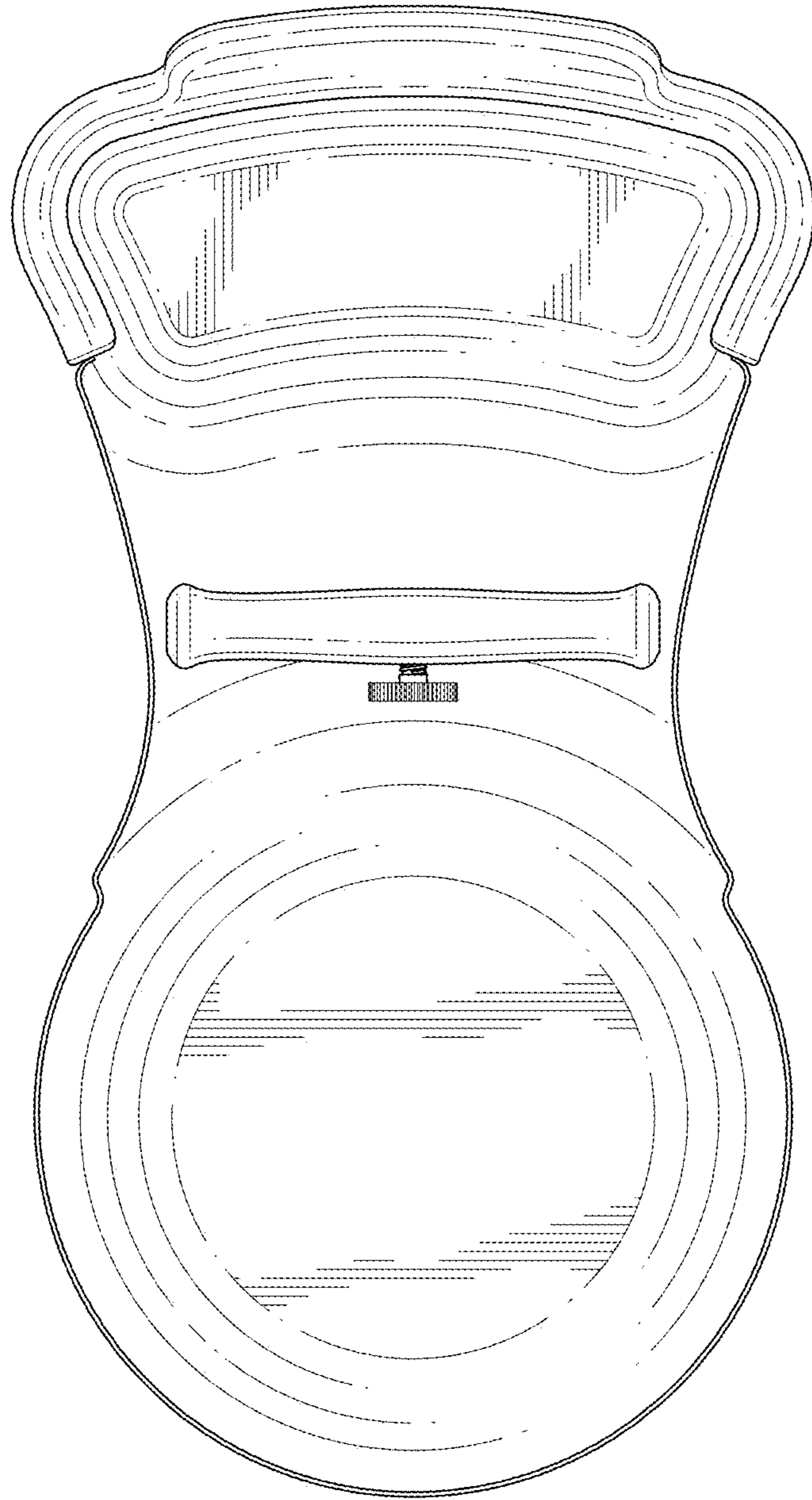


FIG. 6

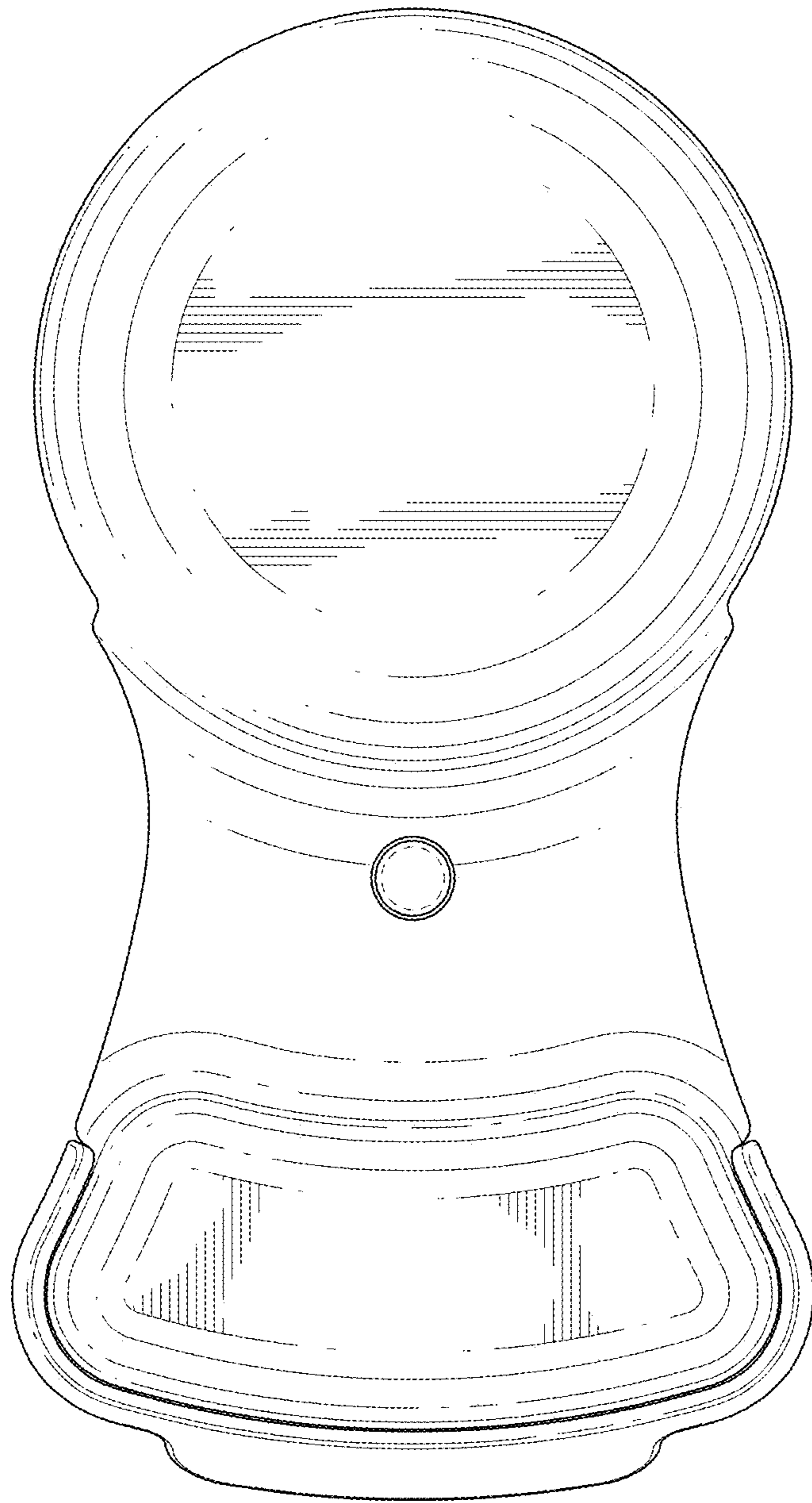


FIG. 7