



US00D890576S

(12) **United States Design Patent**  
**Gee, II**

(10) **Patent No.:** **US D890,576 S**  
(45) **Date of Patent:** **\*\* Jul. 21, 2020**

- (54) **TIERED BASKET**
- (71) Applicant: **Spectrum Diversified Designs, LLC**,  
Streetsboro, OH (US)
- (72) Inventor: **Jack W. Gee, II**, Willoughby, OH (US)
- (73) Assignee: **SPECTRUM DIVERSIFIED**  
**DESIGNS, LLC**, Streetsboro, OH (US)
- (\*\*) Term: **15 Years**
- (21) Appl. No.: **29/681,603**
- (22) Filed: **Feb. 27, 2019**
- (51) **LOC (12) Cl.** ..... **07-07**
- (52) **U.S. Cl.**  
USPC ..... **D7/601**
- (58) **Field of Classification Search**  
USPC ..... D7/601, 602, 504  
CPC ..... A47G 19/02; A47G 19/025; B65D 1/24;  
B65D 1/36; A45C 11/20  
See application file for complete search history.

D697,374 S *	1/2014	Goodman	.....	D7/601
D698,204 S *	1/2014	Goodman	.....	D7/601
D698,205 S *	1/2014	Goodman	.....	D7/601
D748,437 S *	2/2016	Goodman	.....	D7/584
D767,343 S *	9/2016	Tsai	.....	D7/601
D776,984 S *	1/2017	Goodman	.....	D7/601
D777,525 S *	1/2017	Hsu	.....	D7/602
D784,088 S *	4/2017	Goodman	.....	D7/601
D784,771 S *	4/2017	Goodman	.....	D23/261
D786,016 S *	5/2017	Goodman	.....	D7/500
D788,541 S *	6/2017	Goodman	.....	D7/601
D794,395 S *	8/2017	Goodman	.....	D7/601
D794,396 S *	8/2017	Goodman	.....	D7/601
D816,419 S *	5/2018	Goodman	.....	D7/601
D818,322 S *	5/2018	Goodman	.....	D7/601
D818,777 S *	5/2018	Goodman	.....	D7/601
D857,429 S *	8/2019	Kuehnast	.....	D6/681.1
D859,933 S *	9/2019	Tuang	.....	D7/601
D865,456 S *	11/2019	Dittrich	.....	D7/602

\* cited by examiner

*Primary Examiner* — Cynthia R Underwood

(74) *Attorney, Agent, or Firm* — Tucker Ellis LLP

(57) **CLAIM**

The ornamental design for a tiered basket, as shown and described.

**DESCRIPTION**

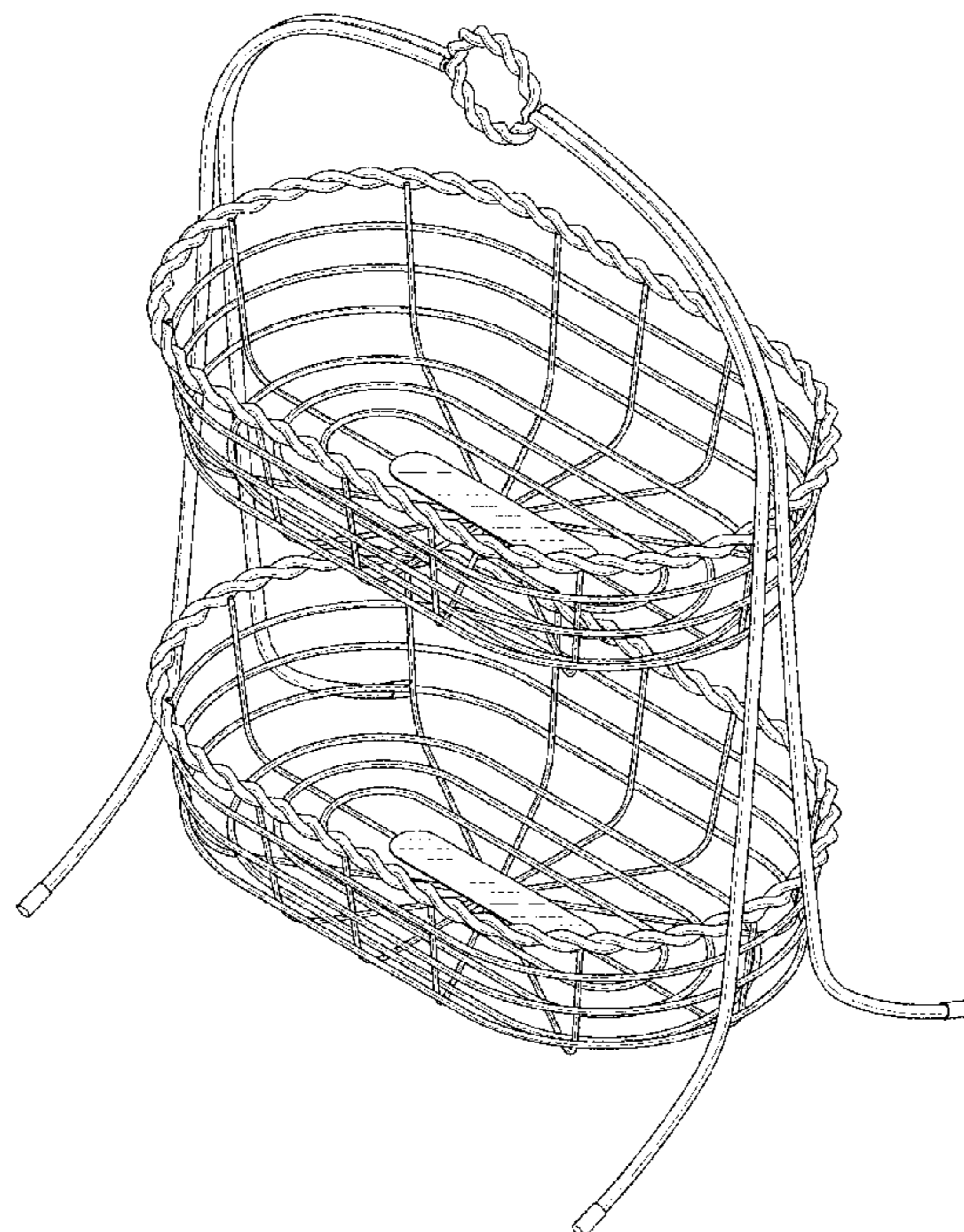
FIG. 1 is a top perspective view of a tiered basket showing my new design;  
 FIG. 2 is a front view thereof, a rear view being the same as the front view;  
 FIG. 3 is a left side view thereof, the right side view being the same as the left side view;  
 FIG. 4 is a top view thereof; and,  
 FIG. 5 is a bottom view thereof.

**1 Claim, 4 Drawing Sheets**

(56) **References Cited**

U.S. PATENT DOCUMENTS

D361,472 S *	8/1995	Heilicher	.....	D7/505
D369,482 S *	5/1996	McArdle	.....	D7/601
D408,229 S *	4/1999	Hong	.....	D7/601
D468,163 S *	1/2003	Blake	.....	D7/601
D475,898 S *	6/2003	Kaposi	.....	D7/638
D543,793 S *	6/2007	Lion	.....	D7/601
D565,907 S *	4/2008	de Groote	.....	D7/584
D631,697 S *	2/2011	Kushner	.....	D7/505
D664,006 S *	7/2012	Goodman	.....	D7/601
D664,007 S *	7/2012	Goodman	.....	D7/601
D671,371 S *	11/2012	Goodman	.....	D7/601



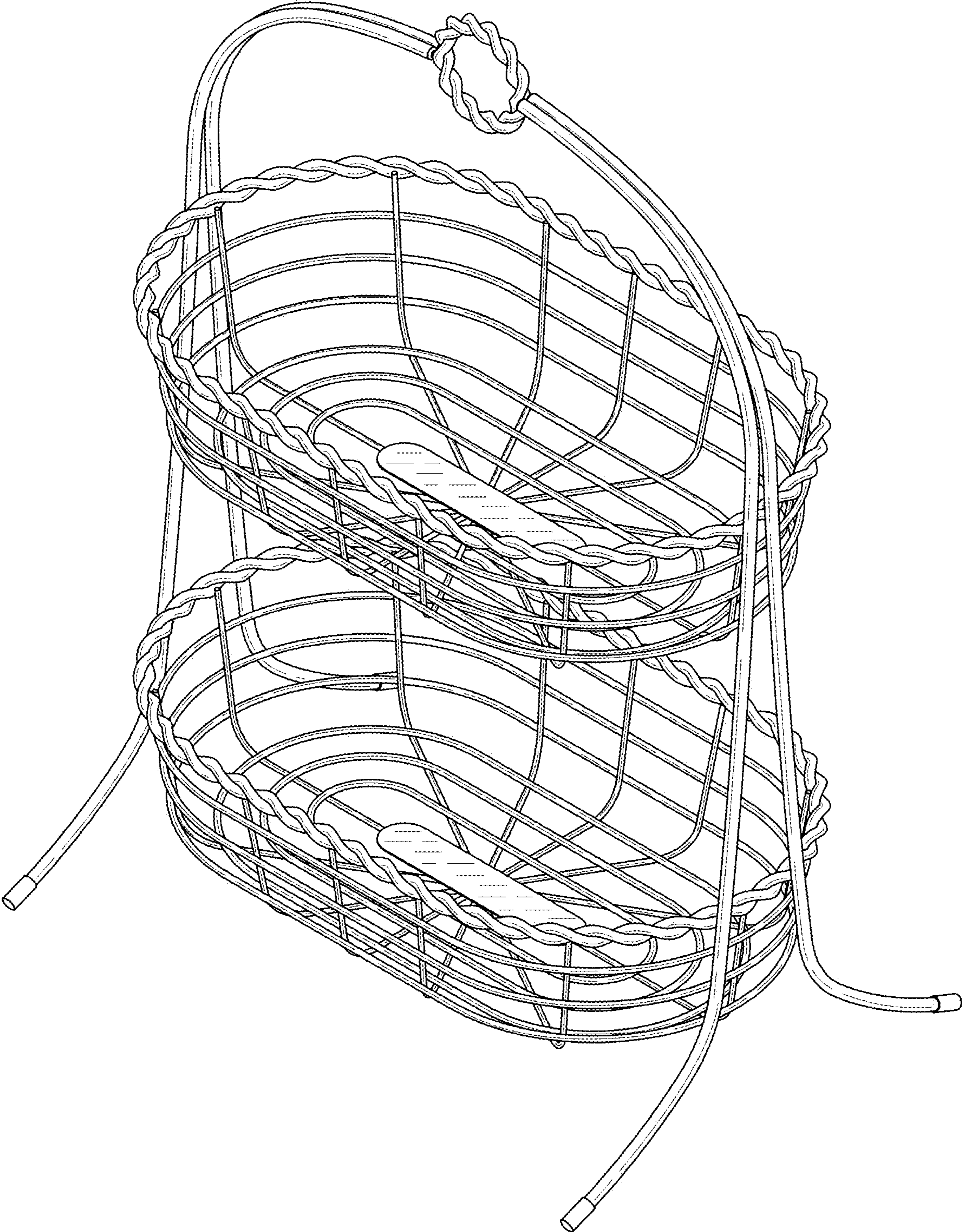


FIG. 1

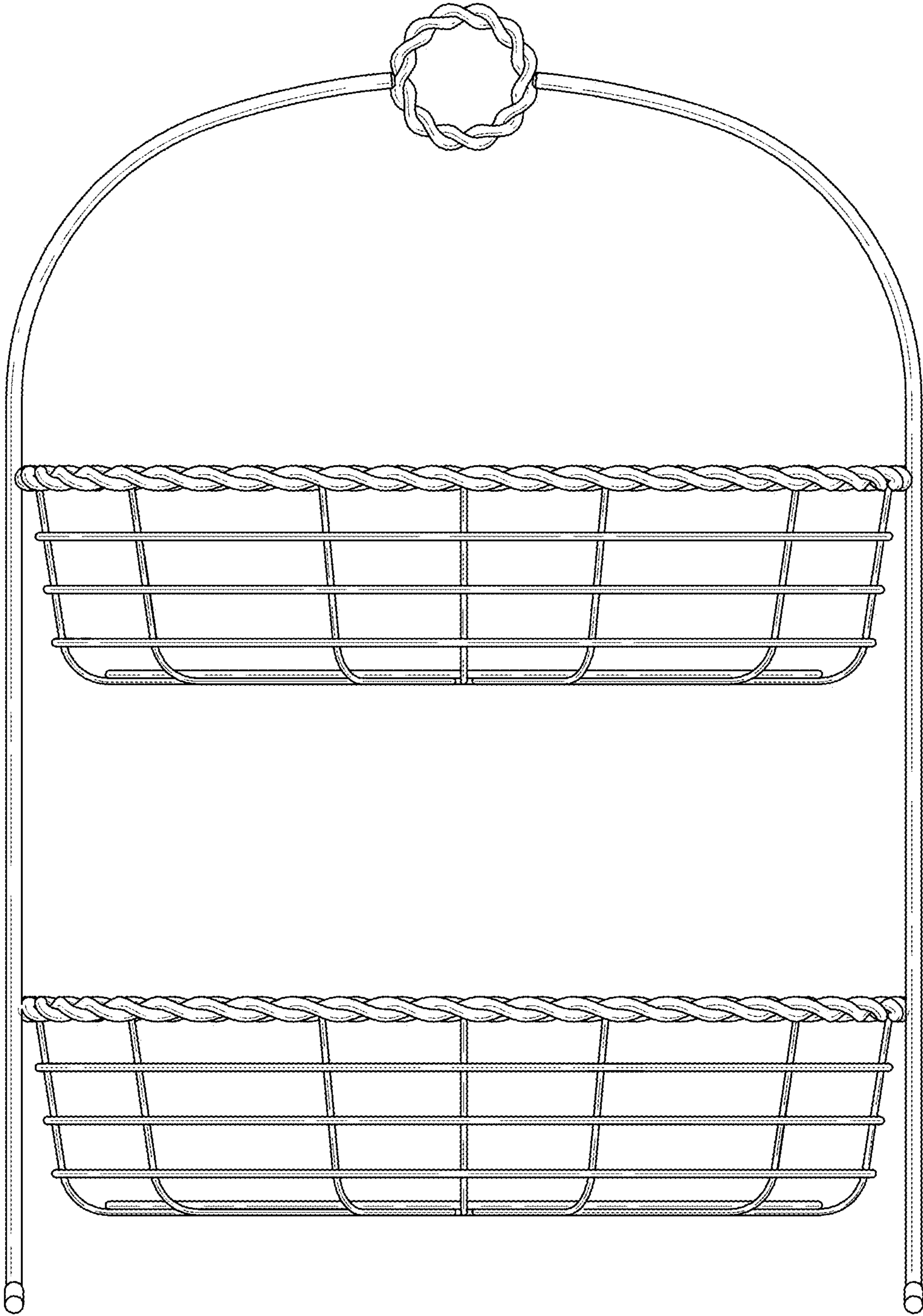


FIG. 2

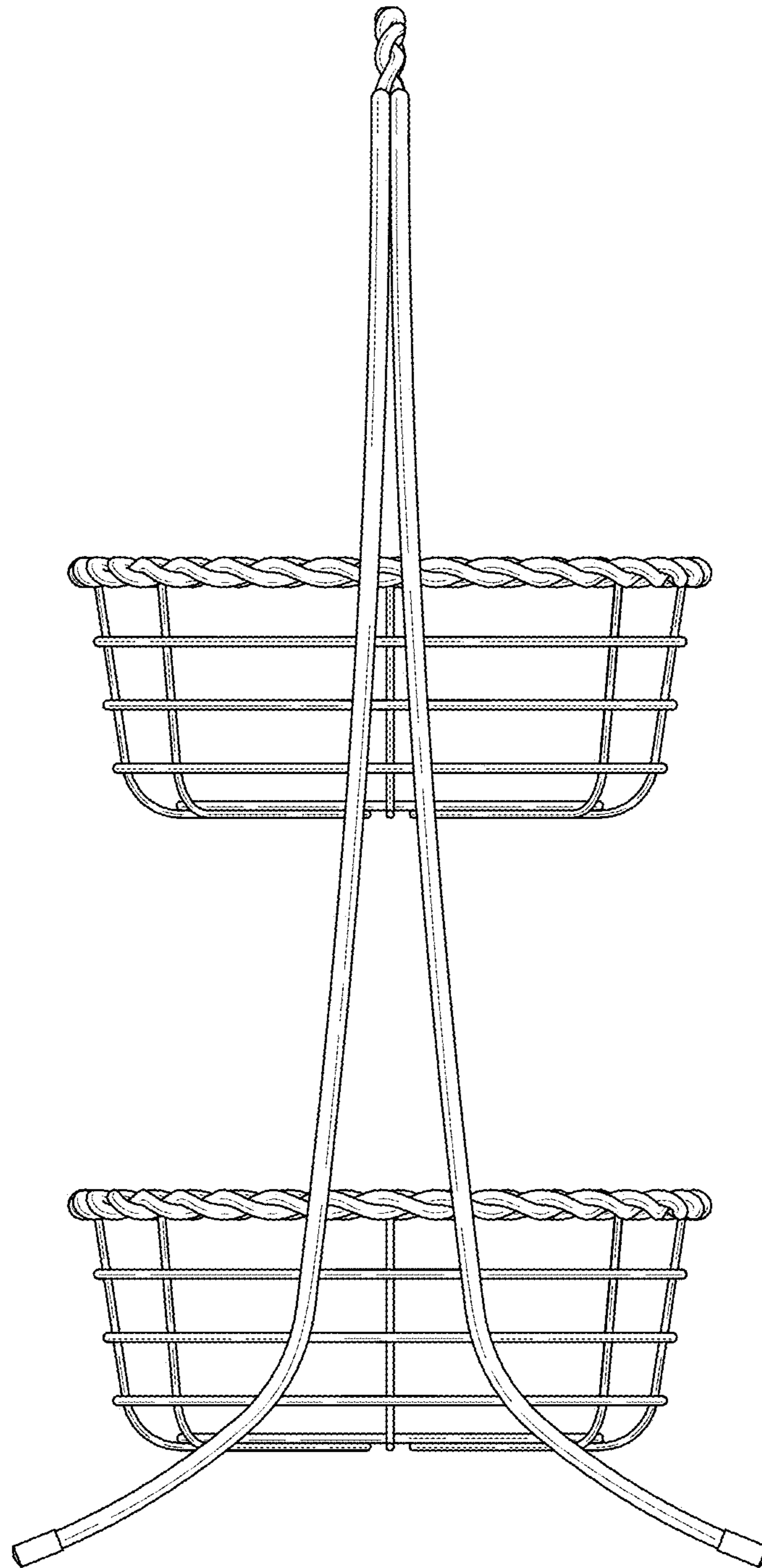


FIG. 3

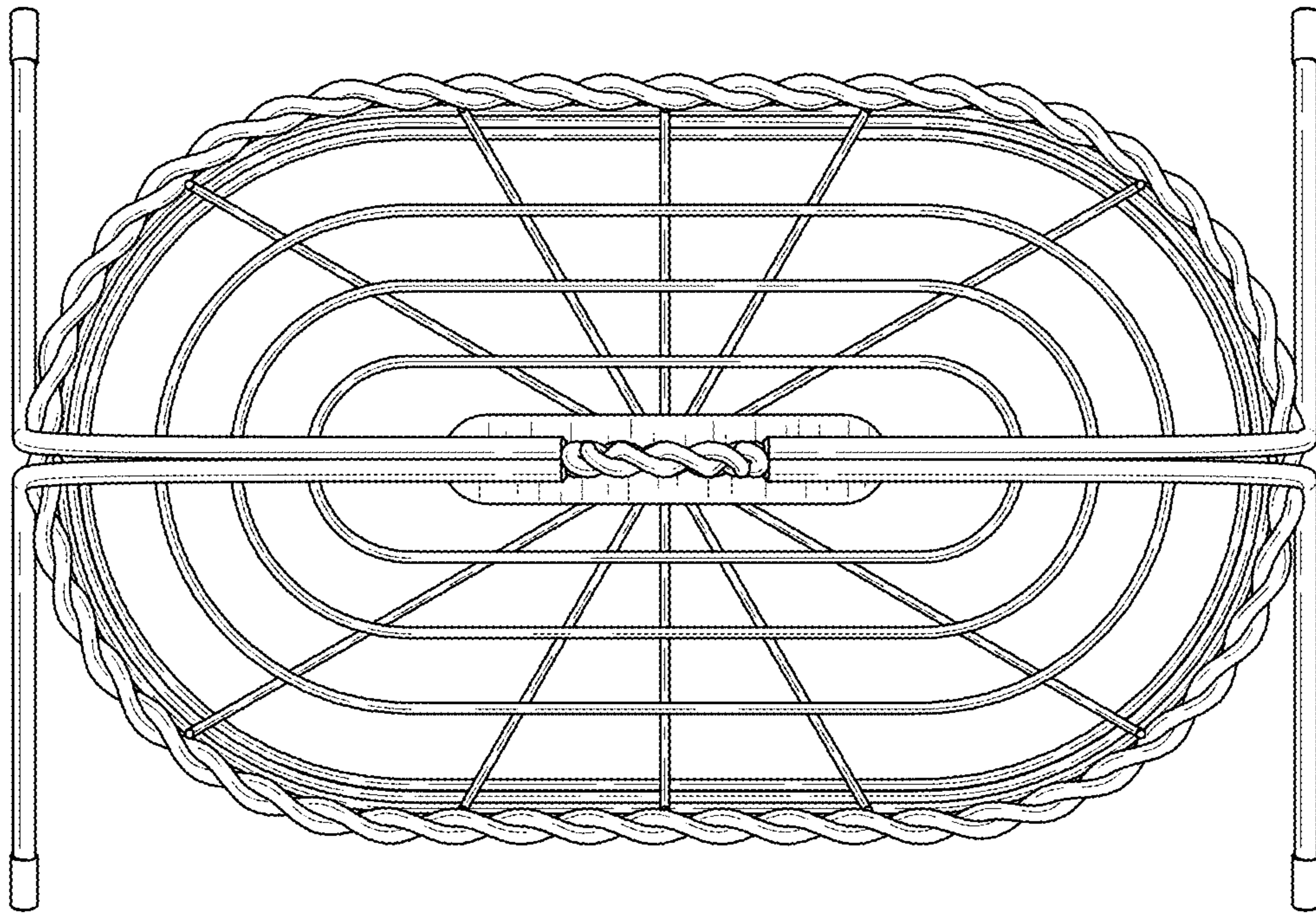


FIG. 4

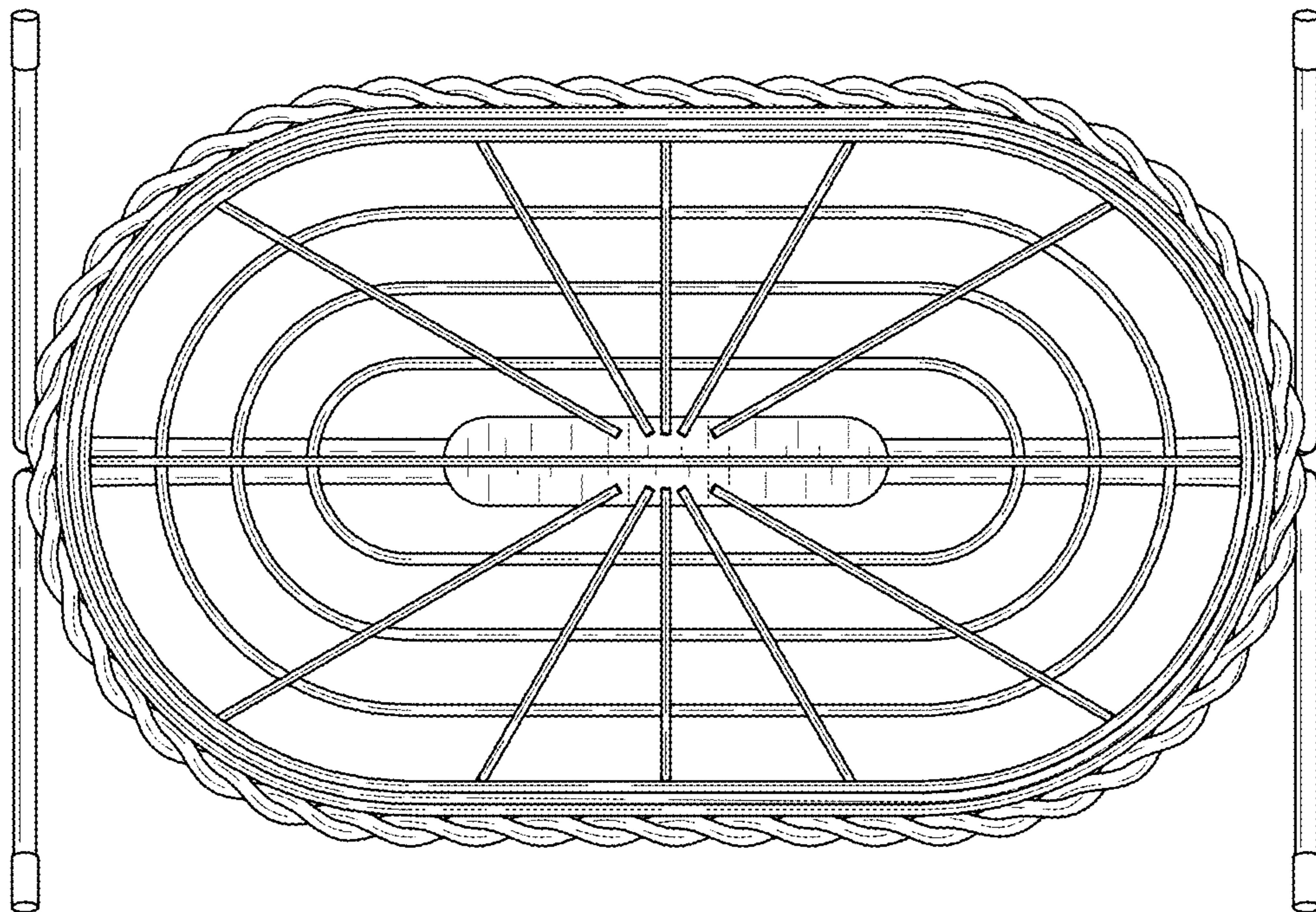


FIG. 5