



US00D890575S

(12) **United States Design Patent** (10) **Patent No.:** **US D890,575 S**
Wexler et al. (45) **Date of Patent:** **** Jul. 21, 2020**

(54) **CONTAINER** 5,588,747 A * 12/1996 Blevins G01K 11/165
374/150

(71) Applicant: **Medline Industries, Inc.**, Northfield, IL (US) 5,662,249 A 9/1997 Grosse
D394,010 S * 5/1998 Lynd D9/531
D401,115 S * 11/1998 Huang D7/589

(72) Inventors: **Paige Wexler**, Highland Park, IL (US); 6,109,487 A 8/2000 Hashimoto
Tamara Dick, Fox Lake, IL (US); 6,209,595 B1 4/2001 Granath
Steve McNabb, Kenosha, WI (US); D484,059 S * 12/2003 Romeo D9/531
Shiny Chacko, Ingleside, IL (US) 6,728,990 B1 5/2004 Jones
D502,299 S * 2/2005 Junghans D32/35
D521,387 S * 5/2006 Little D9/528
D544,287 S * 6/2007 Joss D15/79
8,813,563 B2 * 8/2014 Tharp G01F 19/00
141/331

(73) Assignee: **Medline Industries, Inc.**, Northfield, IL (US) D750,434 S * 3/2016 Kirkpatrick D7/510

(**) Term: **15 Years** (Continued)

(21) Appl. No.: **29/672,733**

(22) Filed: **Dec. 7, 2018**

Related U.S. Application Data

(63) Continuation of application No. 16/185,076, filed on Nov. 9, 2018.

(51) **LOC (12) Cl.** **07-07**

(52) **U.S. Cl.**
USPC **D7/589**

(58) **Field of Classification Search**
USPC D7/589, 311, 300, 601, 705, 622;
D32/35, 53, 1; D15/150, 79; D6/306,
D6/300, 542; D9/527, 516, 525, 531
CPC B67D 1/0044; B65D 85/60; B65D 1/00
See application file for complete search history.

(56) **References Cited**

U.S. PATENT DOCUMENTS

D99,405 S * 4/1936 Marschall D10/46.3
2,195,133 A 3/1940 Nevin
D250,806 S * 1/1979 Gutkowski D9/529
4,230,238 A 10/1980 Wildon
D338,407 S * 8/1993 Lynd D7/511
5,447,245 A * 9/1995 Merhar B65D 25/56
215/6

OTHER PUBLICATIONS

Williams, Jamel E. , "NonFinal Office Action", U.S. Appl. No. 16/185,076, filed Nov. 9, 2018; dated Sep. 13, 2019.

(Continued)

Primary Examiner — Cynthia R Underwood

(74) *Attorney, Agent, or Firm* — Philip H. Burrus, IV

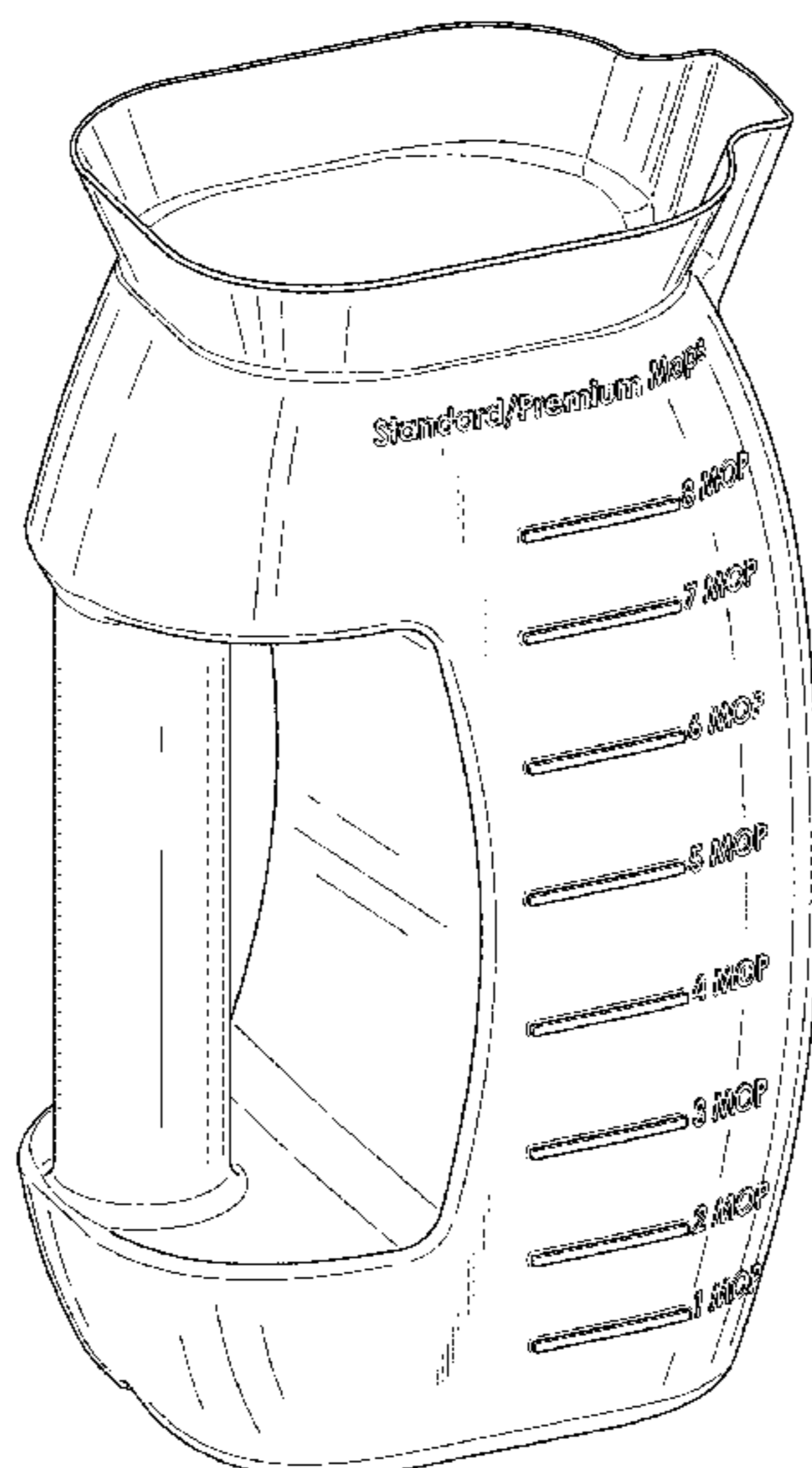
(57) **CLAIM**

The ornamental design for a container, as shown and described.

DESCRIPTION

FIG. 1 is a first perspective view of a container, showing our new design;
FIG. 2 is a second perspective view thereof;
FIG. 3 is a rear elevation view thereof;
FIG. 4 is a right elevation view thereof;
FIG. 5 is a front elevation view thereof;
FIG. 6 is a left elevation view thereof;
FIG. 7 is a top plan view thereof; and,
FIG. 8 is a bottom plan view thereof.

1 Claim, 8 Drawing Sheets



(56)

References Cited

U.S. PATENT DOCUMENTS

9,320,404	B2	4/2016	Gornik et al.	
D755,055	S *	5/2016	Holahan	D9/531
D793,164	S *	8/2017	Charlton	D7/510
D793,238	S *	8/2017	Yen	D9/527
D796,330	S *	9/2017	Vazin	D9/531
9,759,595	B1 *	9/2017	Morgan	A47G 21/00
D803,002	S *	11/2017	Gretz	D7/536
9,828,230	B2	11/2017	Ismail	
9,950,933	B1	4/2018	Rinker et al.	
D816,410	S *	5/2018	Yu	D7/510
D830,777	S *	10/2018	Meyers	D7/536
D874,937	S *	2/2020	Schlies	D9/516
D876,167	S *	2/2020	Welsch	D7/536
2005/0011261	A1	1/2005	Lyon	
2014/0252039	A1	9/2014	Jennings et al.	
2016/0069725	A1	3/2016	Prommel et al.	
2017/0188728	A1	7/2017	Votolao	

OTHER PUBLICATIONS

“Dispensers for Dilution Control”, Diversey; <https://www.diversey.com/diversey-care/diversey-products/dilution-dispensing/dilution-control-dispensers>; Website visited Oct. 25, 2018; Unknown publication date but prior to filing of present application.

* cited by examiner

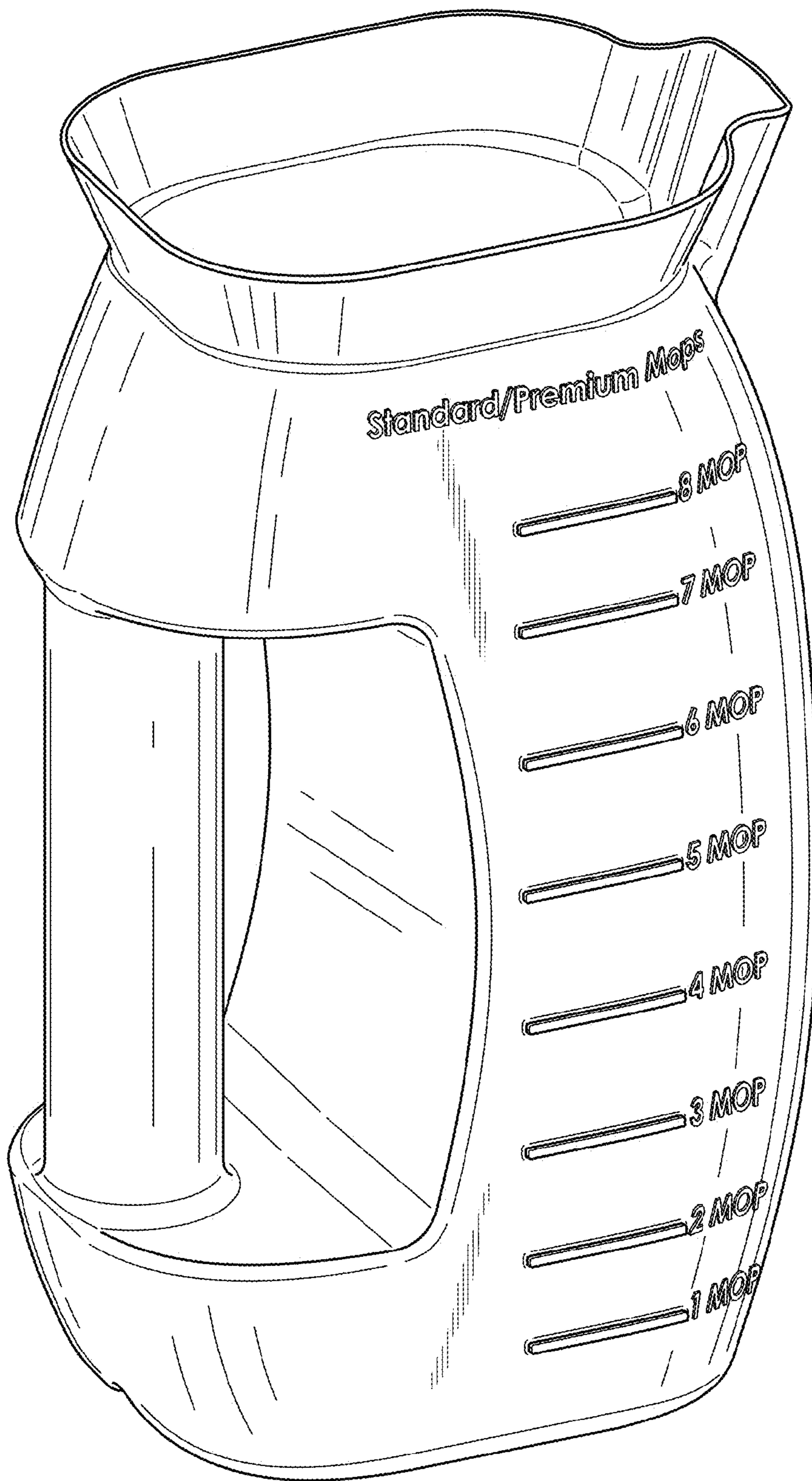


FIG. 1

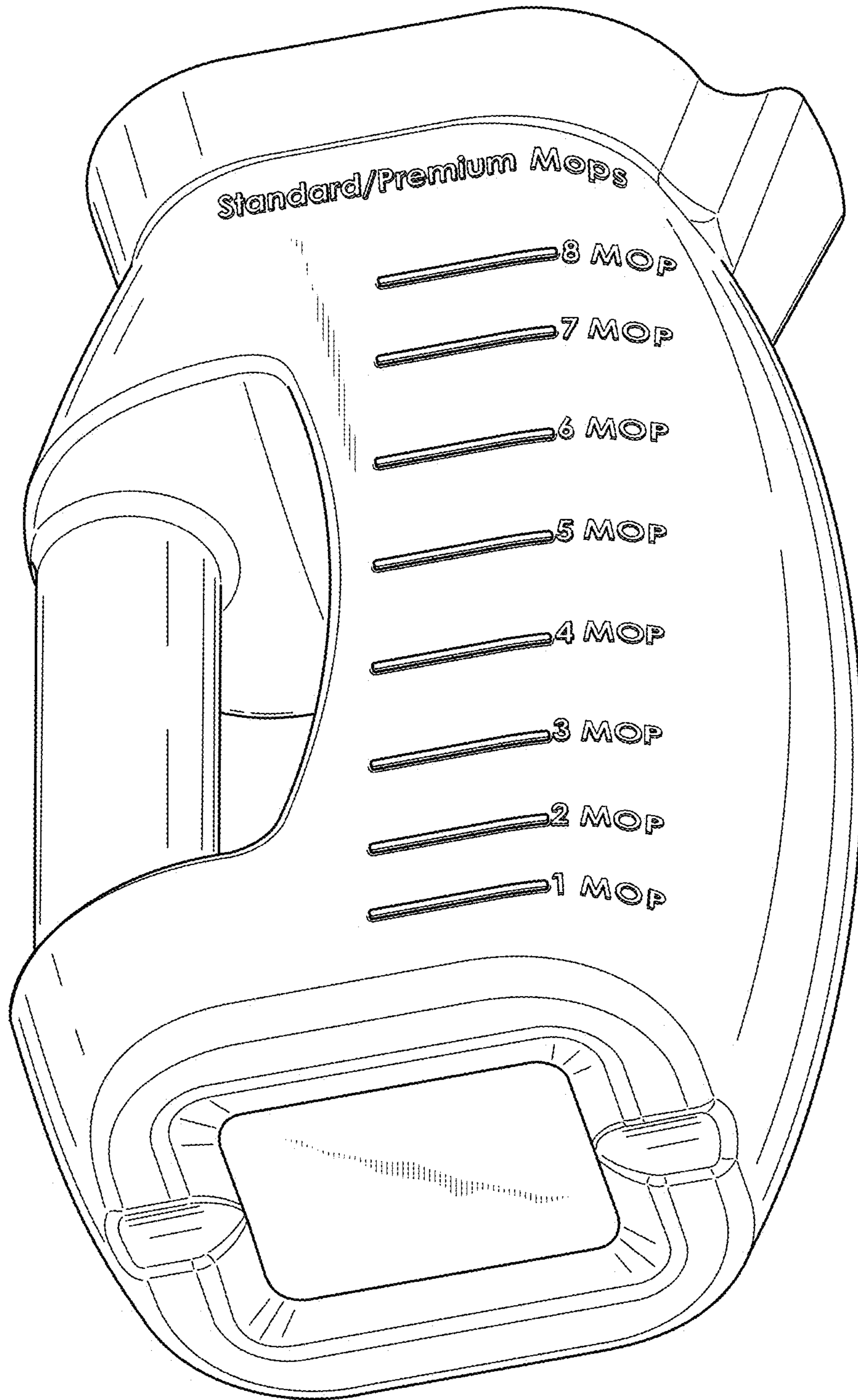


FIG. 2

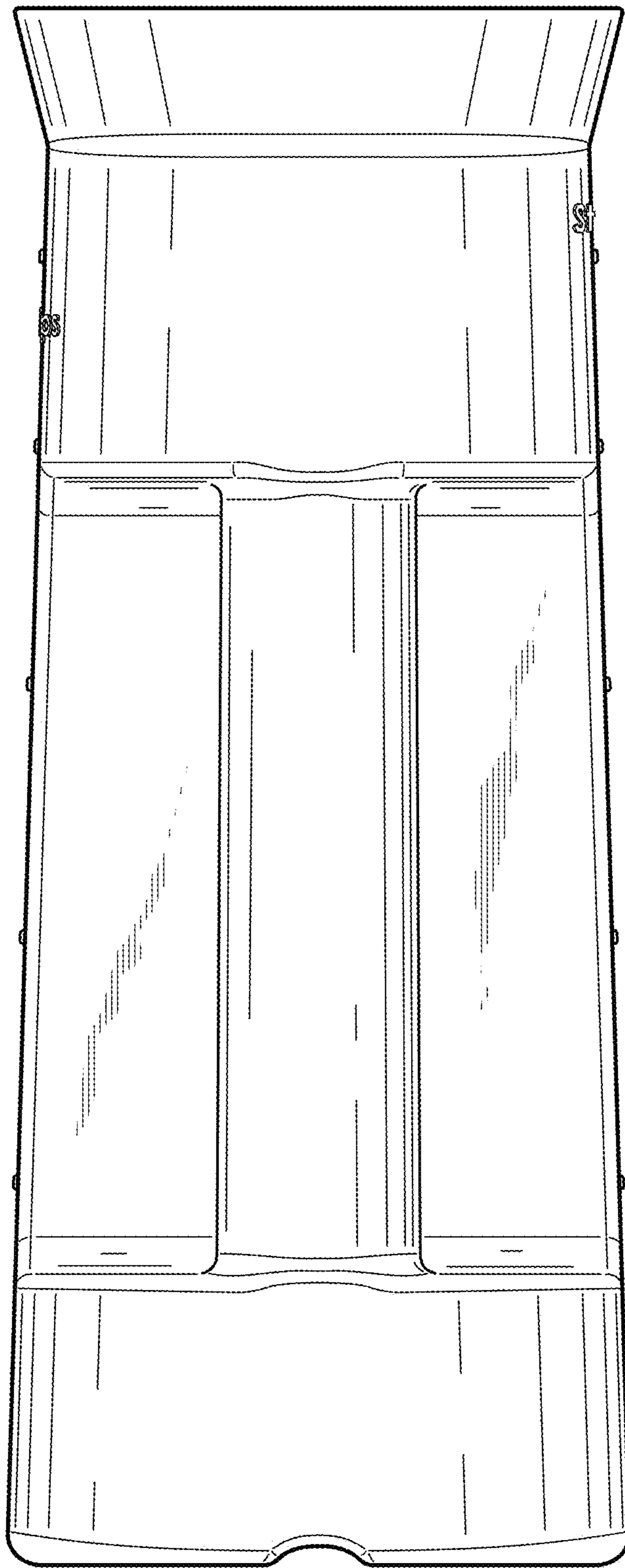


FIG. 3

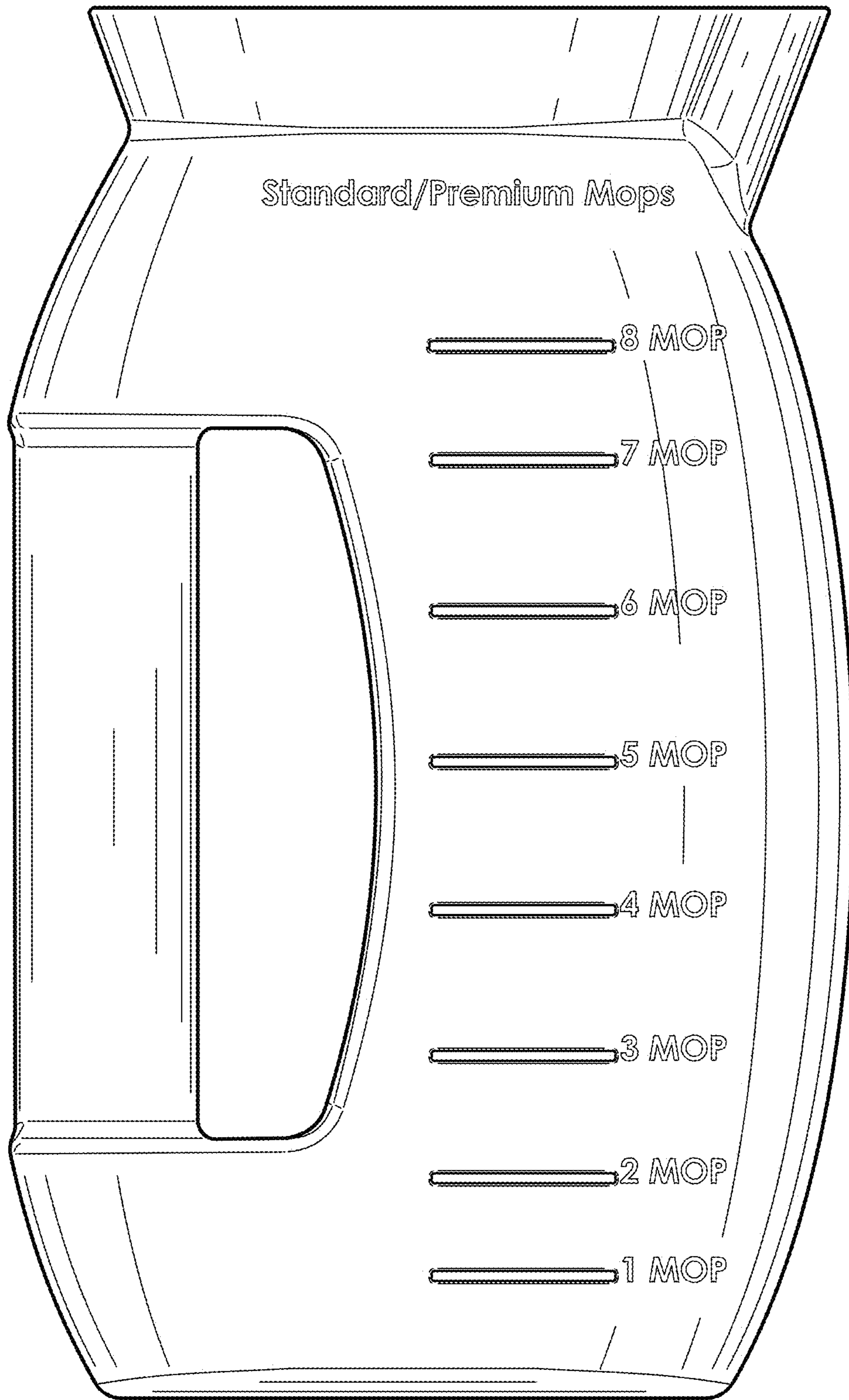


FIG. 4

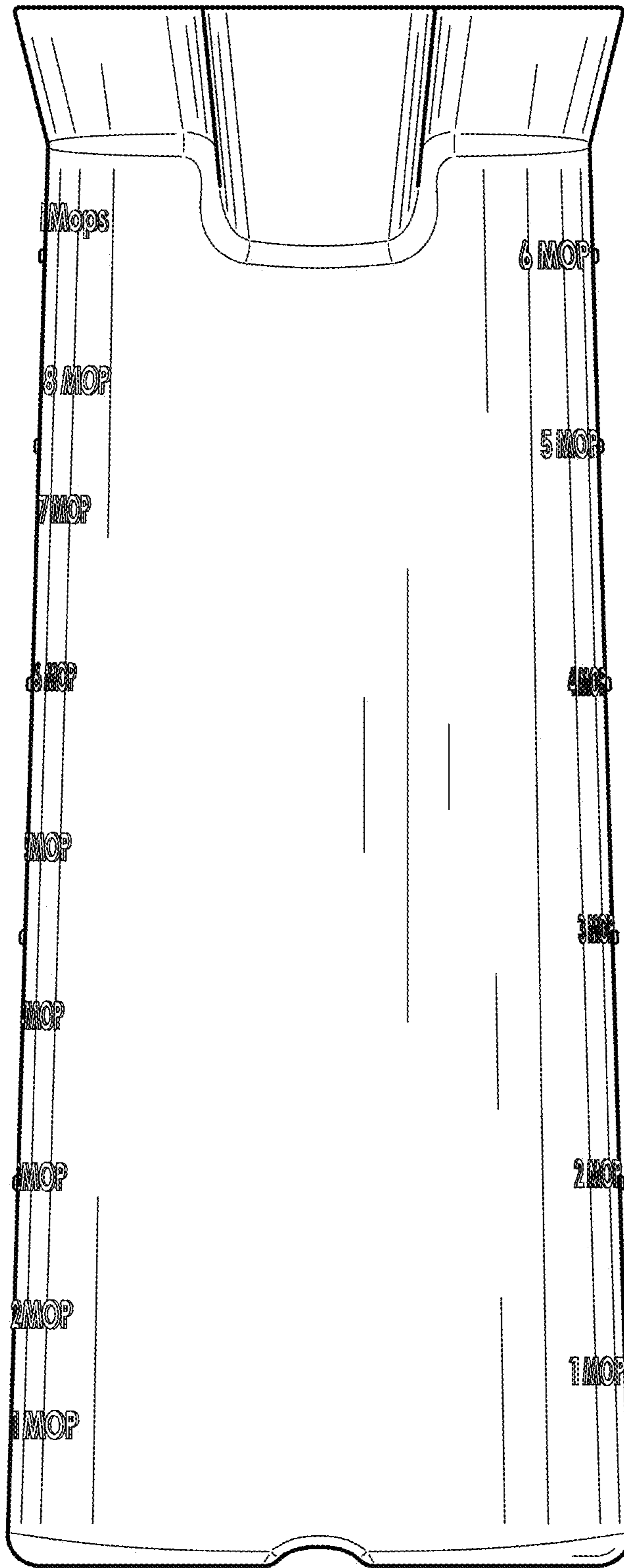


FIG. 5

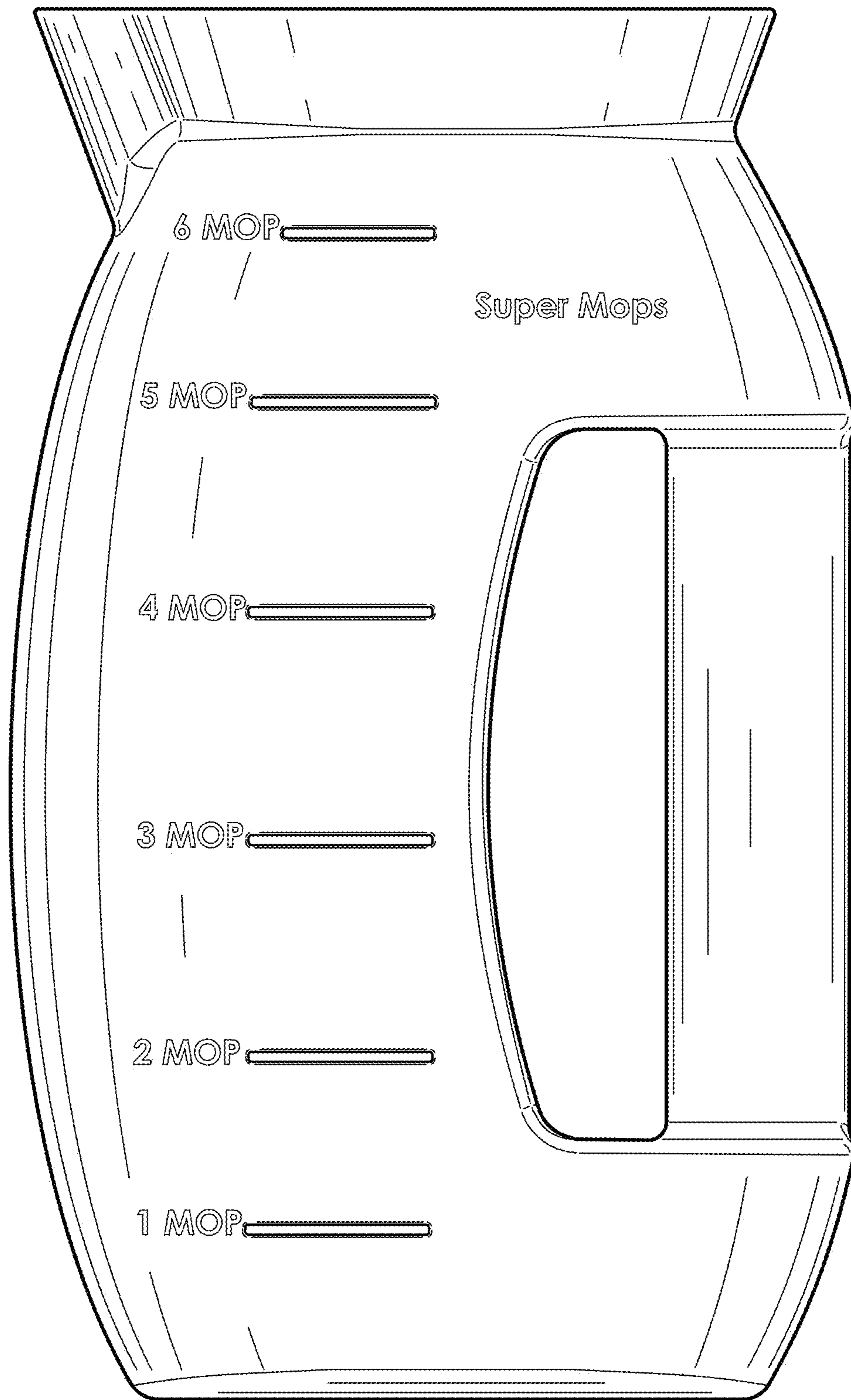


FIG. 6

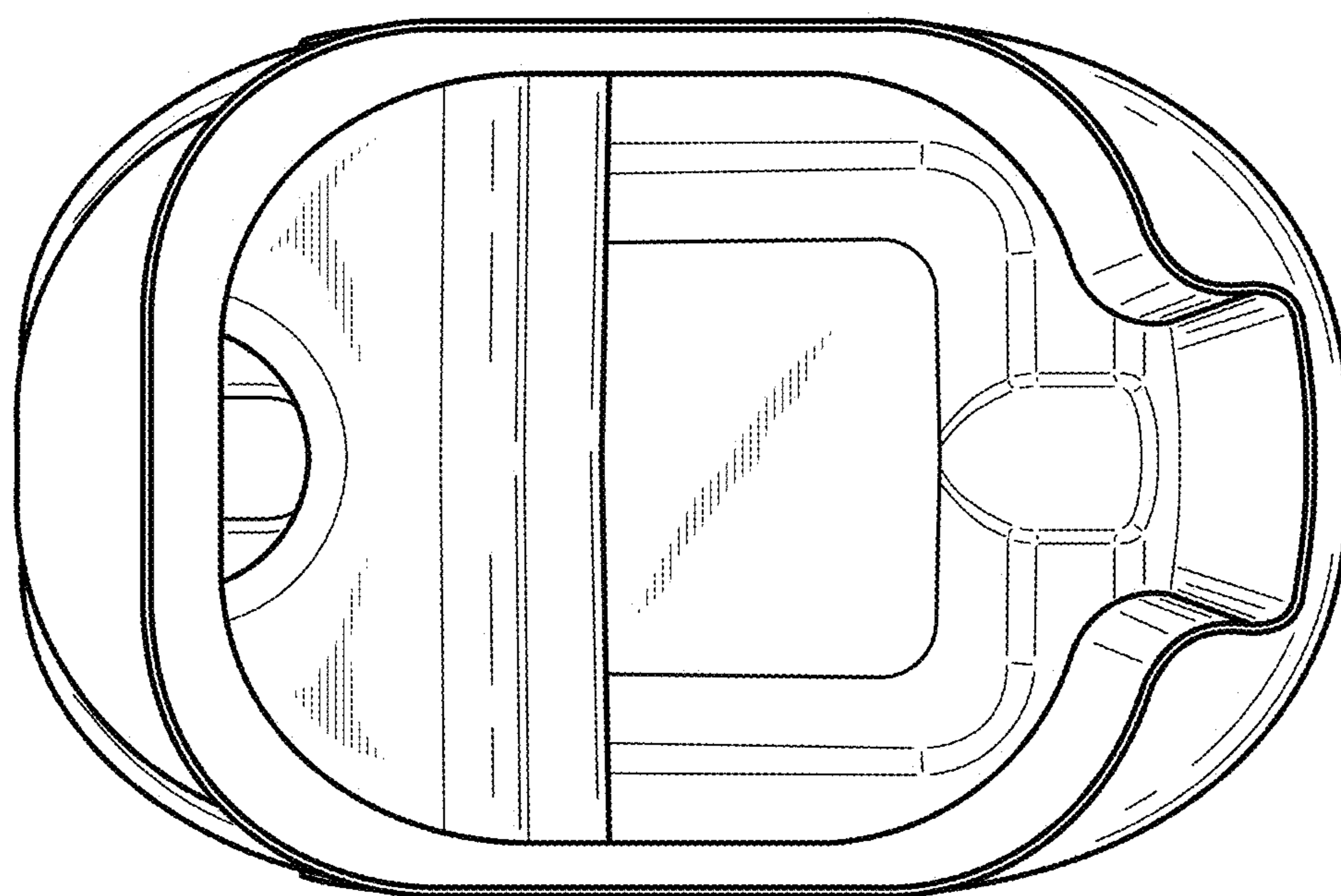


FIG. 7

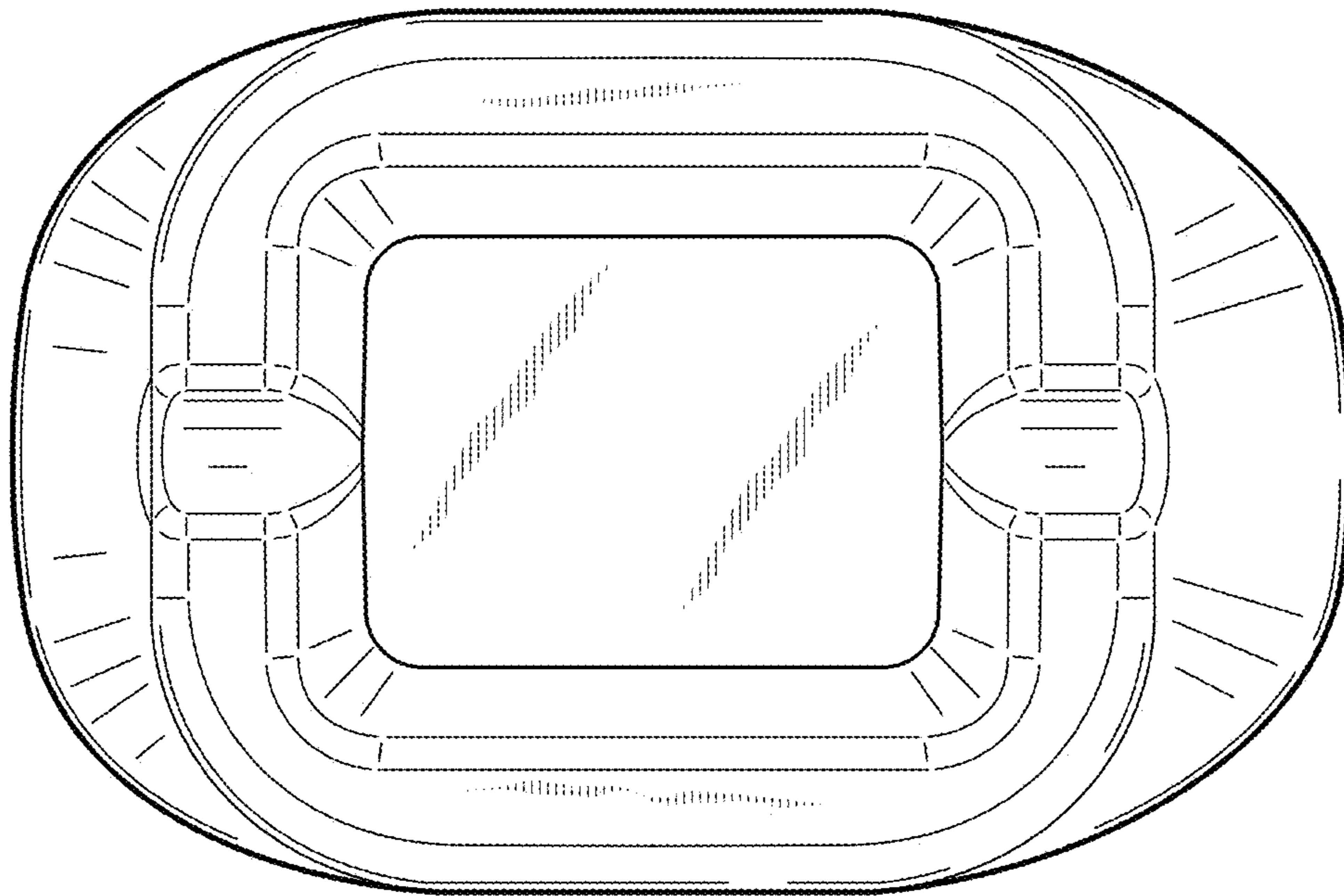


FIG. 8