



US00D890572S

(12) **United States Design Patent** (10) **Patent No.:** **US D890,572 S**
Saiki et al. (45) **Date of Patent:** **** Jul. 21, 2020**

(54) **GAS SUPPLY NOZZLE FOR SUBSTRATE PROCESSING APPARATUS**

D620,085 S * 7/2010 Okada D23/266
D675,298 S * 1/2013 Gridley G09B 25/02
D23/266

(71) Applicant: **KOKUSAI ELECTRIC CORPORATION, Tokyo (JP)**

D720,051 S * 12/2014 Dole D23/266
D818,509 S * 5/2018 Miyazaki D15/144.2
D827,150 S * 8/2018 Nakagawa D24/224

(72) Inventors: **Koji Saiki, Toyama (JP); Makoto Tsuru, Toyama (JP)**

D828,091 S * 9/2018 Fujino D7/407
D872,843 S * 1/2020 Stoffa, Sr. D23/262
D873,392 S * 1/2020 Hruschak D23/266

(73) Assignee: **KOKUSAI ELECTRIC CORPORATION, Tokyo (JP)**

2010/0264646 A1 * 10/2010 Follini E21B 17/003
285/119
2017/0152984 A1 * 6/2017 Dole A62C 35/68

(**) Term: **15 Years**

FOREIGN PATENT DOCUMENTS

(21) Appl. No.: **29/672,652**

JP 1563647 S 11/2016

(22) Filed: **Dec. 7, 2018**

* cited by examiner

(30) **Foreign Application Priority Data**

Jul. 19, 2018 (JP) 2018-015810

(51) **LOC (12) Cl.** **07-99**

(52) **U.S. Cl.**
USPC **D7/407; D23/213**

(58) **Field of Classification Search**
USPC D7/407, 332, 334-337, 402-405, 391,
D7/392.1; D24/108; D23/213, 259, 266,
D23/262, 263, 386, 387, 421
CPC F23D 14/045; F23D 14/16; F23D 14/48;
F23D 14/50; F23D 2203/10; F23D
2203/1012; F32D 14/10; B24B 9/007;
B08B 9/00; B08B 9/021; B08B 9/032;
B08B 9/027; B08B 9/02
See application file for complete search history.

Primary Examiner — Derrick E Holland

Assistant Examiner — Andrew Kerr

(74) *Attorney, Agent, or Firm* — Fitch, Even, Tabin & Flannery, LLP

(57) **CLAIM**

We claim the ornamental design for a gas supply nozzle for substrate processing apparatus, as shown and described.

DESCRIPTION

FIG. 1 is a front, top and right side perspective view of a gas supply nozzle for substrate processing apparatus showing our new design;

FIG. 2 is a front elevational view thereof;

FIG. 3 is a rear elevational view thereof;

FIG. 4 is a left side elevational view thereof;

FIG. 5 is a right side elevational view thereof;

FIG. 6 is a top plan view thereof;

FIG. 7 is a bottom plan view thereof; and,

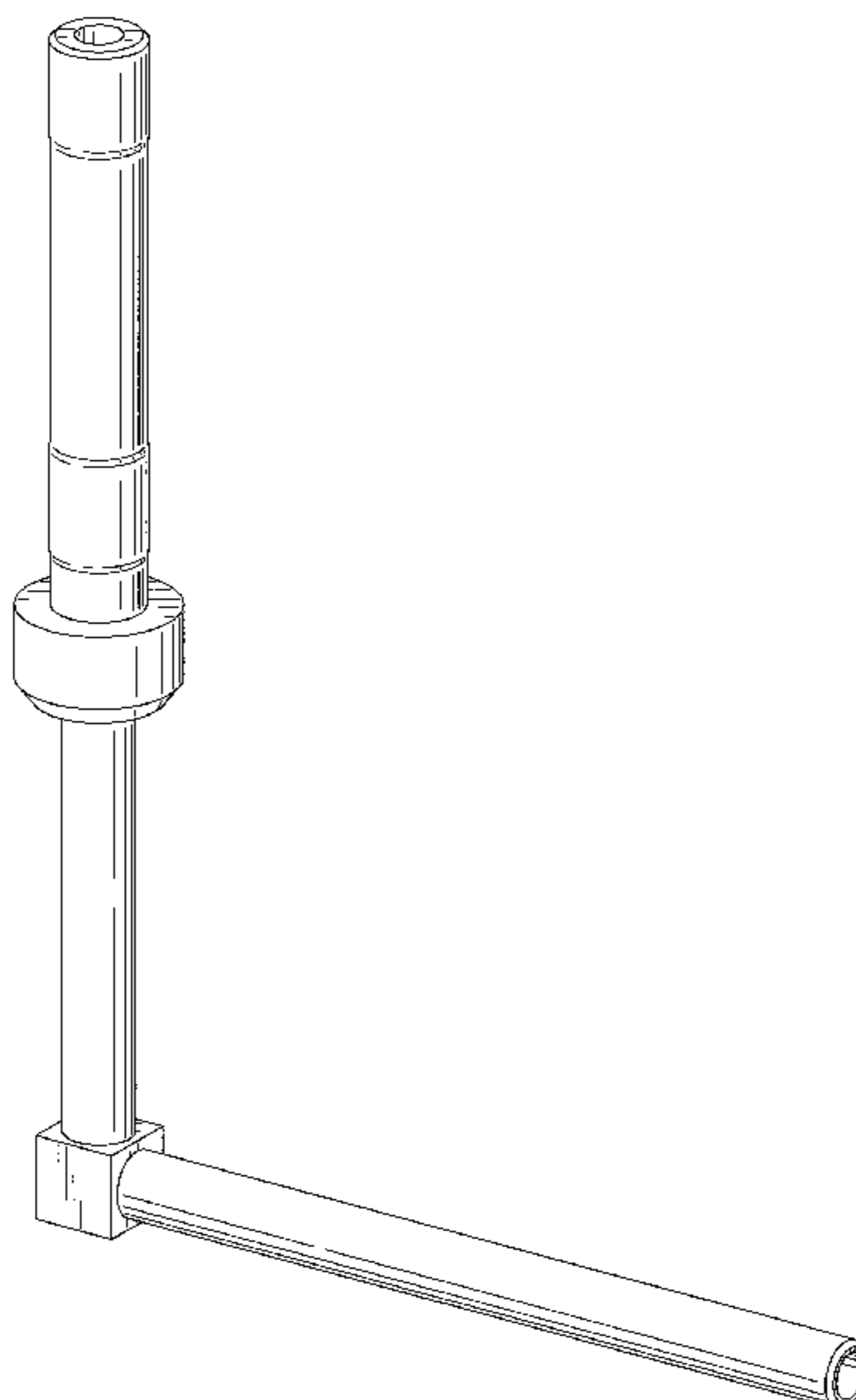
FIG. 8 is a cross-sectional view take along line 8-8 in FIG. 5.

1 Claim, 6 Drawing Sheets

(56) **References Cited**

U.S. PATENT DOCUMENTS

45,556 A * 12/1864 Cocker F24C 15/001
165/102
3,484,122 A * 12/1969 Sanders E21B 17/1085
285/288.1



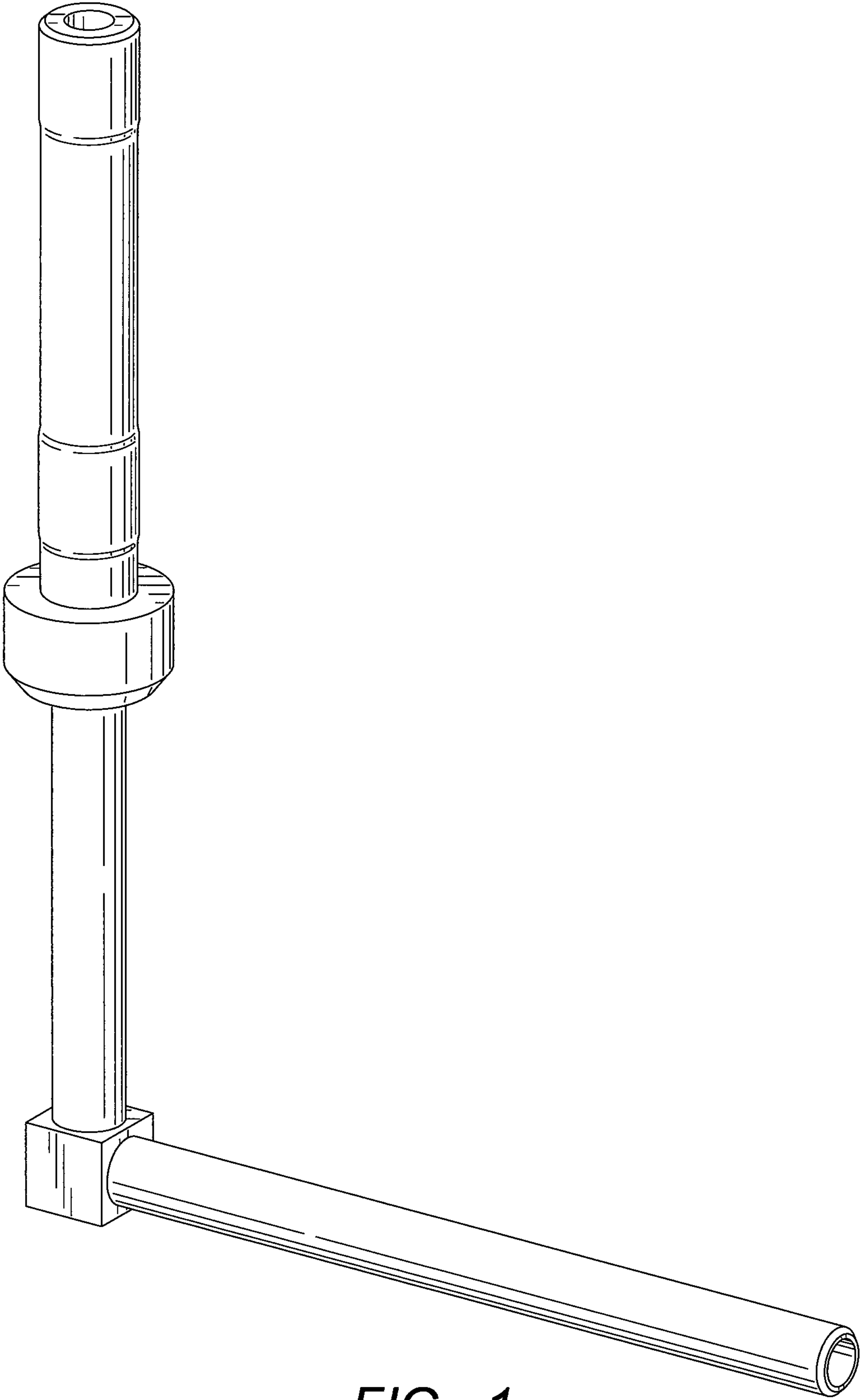


FIG. 1

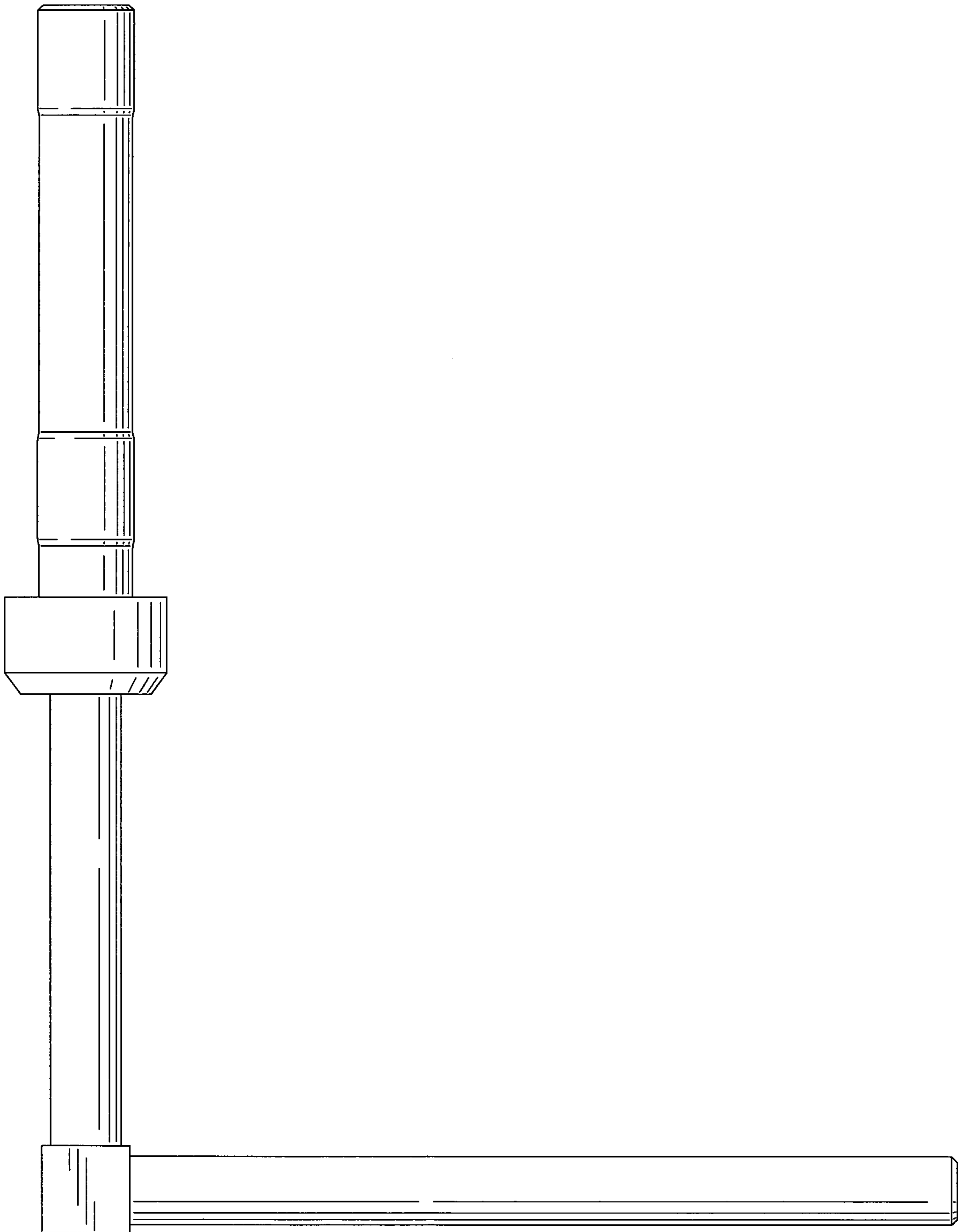


FIG. 2

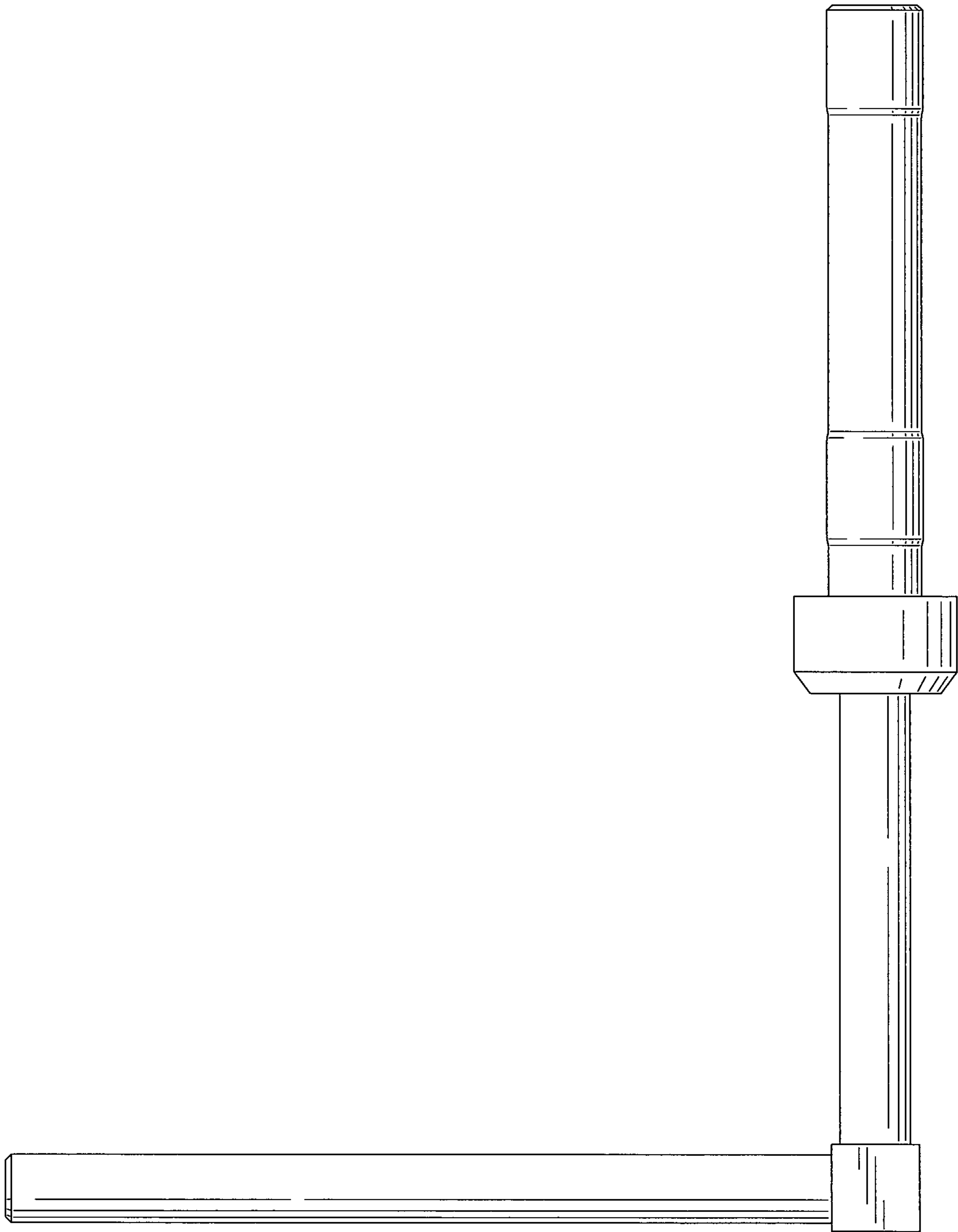


FIG. 3

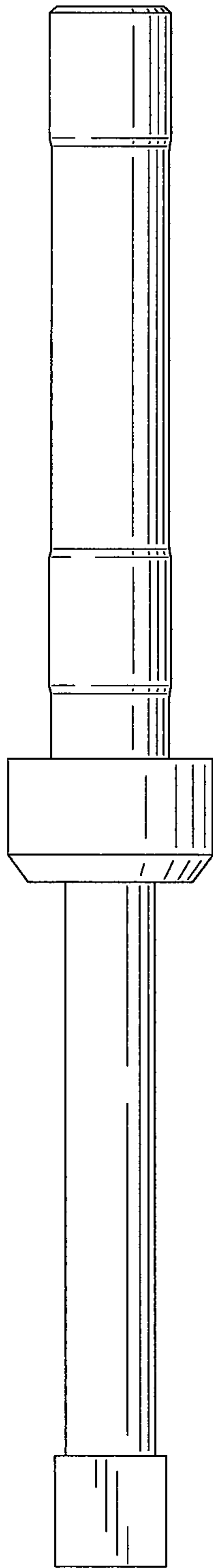


FIG. 4

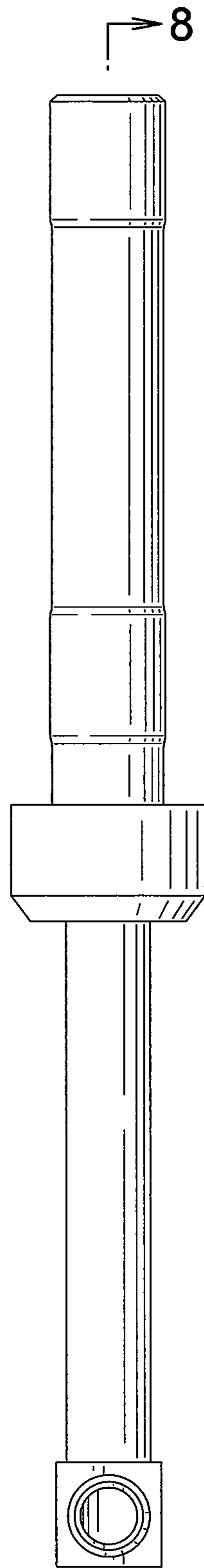


FIG. 5

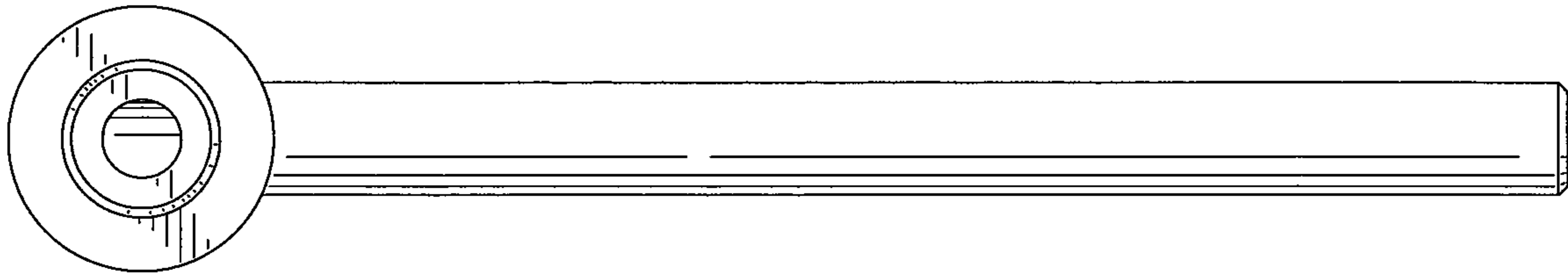


FIG. 6

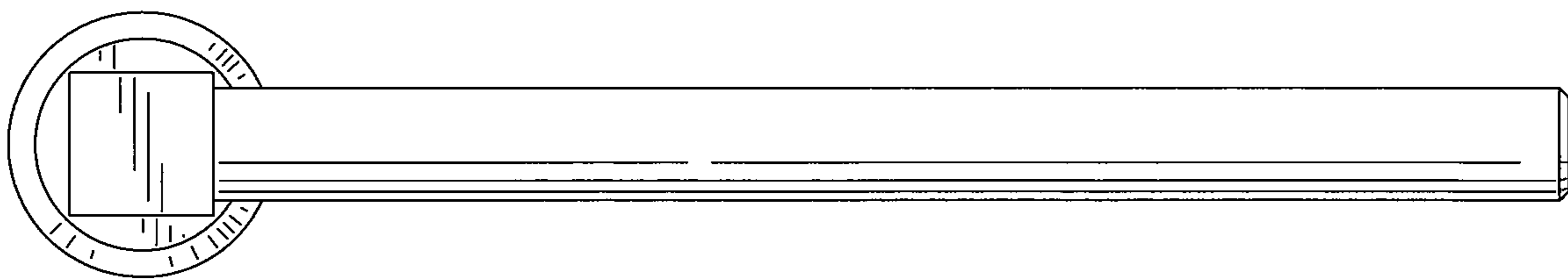


FIG. 7

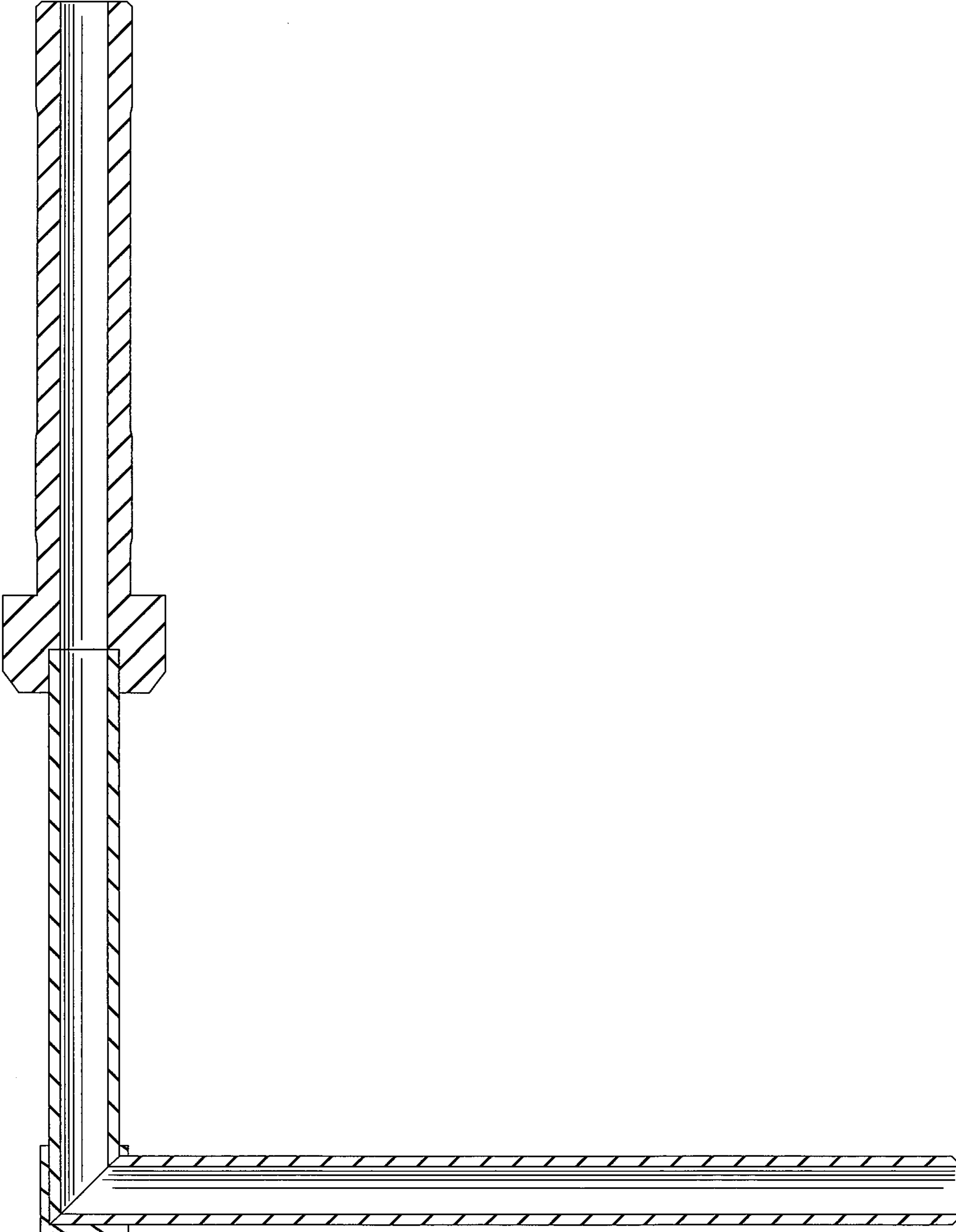


FIG. 8