



US00D890570S

(12) **United States Design Patent**
Lira-Nunez et al.

(10) **Patent No.:** **US D890,570 S**
(45) **Date of Patent:** **** Jul. 21, 2020**

(54) **GRILL CART**

(71) Applicants: **Carmen O. Lira-Nunez**, Downers Grove, IL (US); **Anton Kalisiak**, Palatine, IL (US)

(72) Inventors: **Carmen O. Lira-Nunez**, Downers Grove, IL (US); **Anton Kalisiak**, Palatine, IL (US)

(73) Assignee: **Weber-Stephen Products LLC**, Palatine, IL (US)

(**) Term: **15 Years**

(21) Appl. No.: **29/619,298**

(22) Filed: **Sep. 28, 2017**

(51) **LOC (12) Cl.** **07-02**

(52) **U.S. Cl.**
USPC **D7/403**

(58) **Field of Classification Search**
USPC D7/323, 340, 339, 332-337, 331, 351, D7/346-349, 408, 405, 403, 402, 406, D7/387, 345, 343, 539, 564, 571
CPC A47J 37/07; A47J 37/0763; A47J 37/0704; H05B 1/0261; H05B 1/0263; H05B 6/687; F24C 3/008; F24C 3/002; F24C 3/00; F24C 7/02; F24C 7/00; F24C 5/00
See application file for complete search history.

(56) **References Cited**

U.S. PATENT DOCUMENTS

D326,207 S * 5/1992 Koziol D7/332
D454,031 S * 3/2002 Crookshanks D7/402
D550,501 S * 9/2007 Chung D7/334
D656,773 S * 4/2012 May D7/334

D732,874 S * 6/2015 Chung D7/334
D748,423 S * 2/2016 Chiang D7/334
D798,645 S * 10/2017 Lira-Nunez D7/334
D798,646 S * 10/2017 Lira-Nunez D7/334
D799,259 S * 10/2017 Lira-Nunez D7/334
D809,328 S * 2/2018 Lira-Nunez D7/334
D815,875 S * 4/2018 Lira-Nunez D7/334
D816,385 S * 5/2018 Lira-Nunez D7/334
D820,628 S * 6/2018 Zhou D7/334
D825,989 S * 8/2018 Siazon D7/403
D826,636 S * 8/2018 Siazon D7/403
D845,057 S * 4/2019 Lira-Nunez D7/334
D852,570 S * 7/2019 Giebel D7/334

* cited by examiner

Primary Examiner — Jae Liang

(74) *Attorney, Agent, or Firm* — Vitale, Vickrey, Niro & Gasey LLP

(57) **CLAIM**

The ornamental design for a grill cart, as shown and described.

DESCRIPTION

FIG. 1 is a right side perspective view of a grill cart of the present invention;
FIG. 2 is a front view of the grill cart of the present invention;
FIG. 3 is a top view of the grill cart of the present invention;
FIG. 4 is a left side view of the grill cart of the present invention;
FIG. 5 is a right side view of the grill cart of the present invention; and,
FIG. 6 is a rear view of the grill cart of the present invention. The broken lines showing portion of the article and environment form no part of the claimed design.

1 Claim, 6 Drawing Sheets

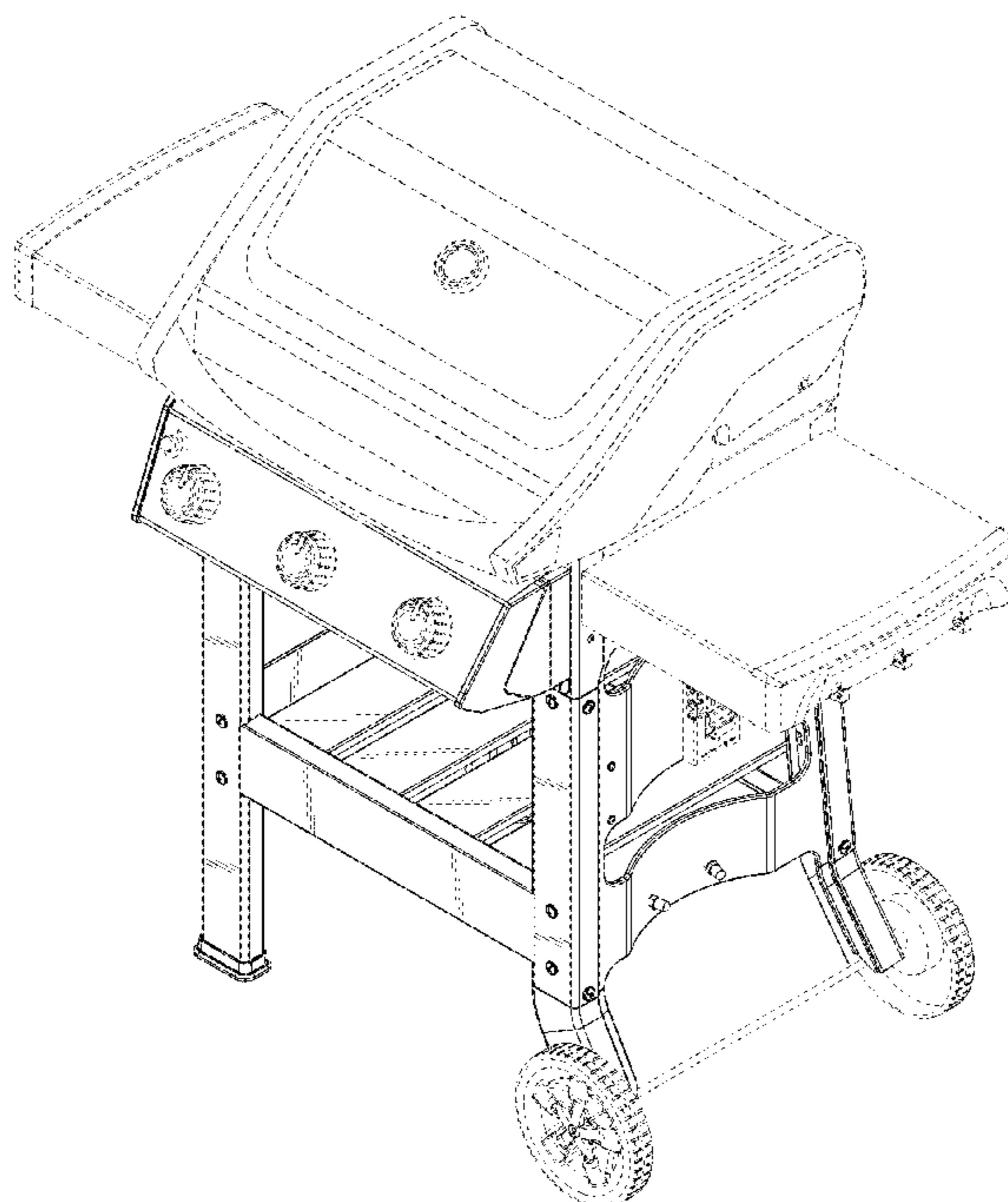
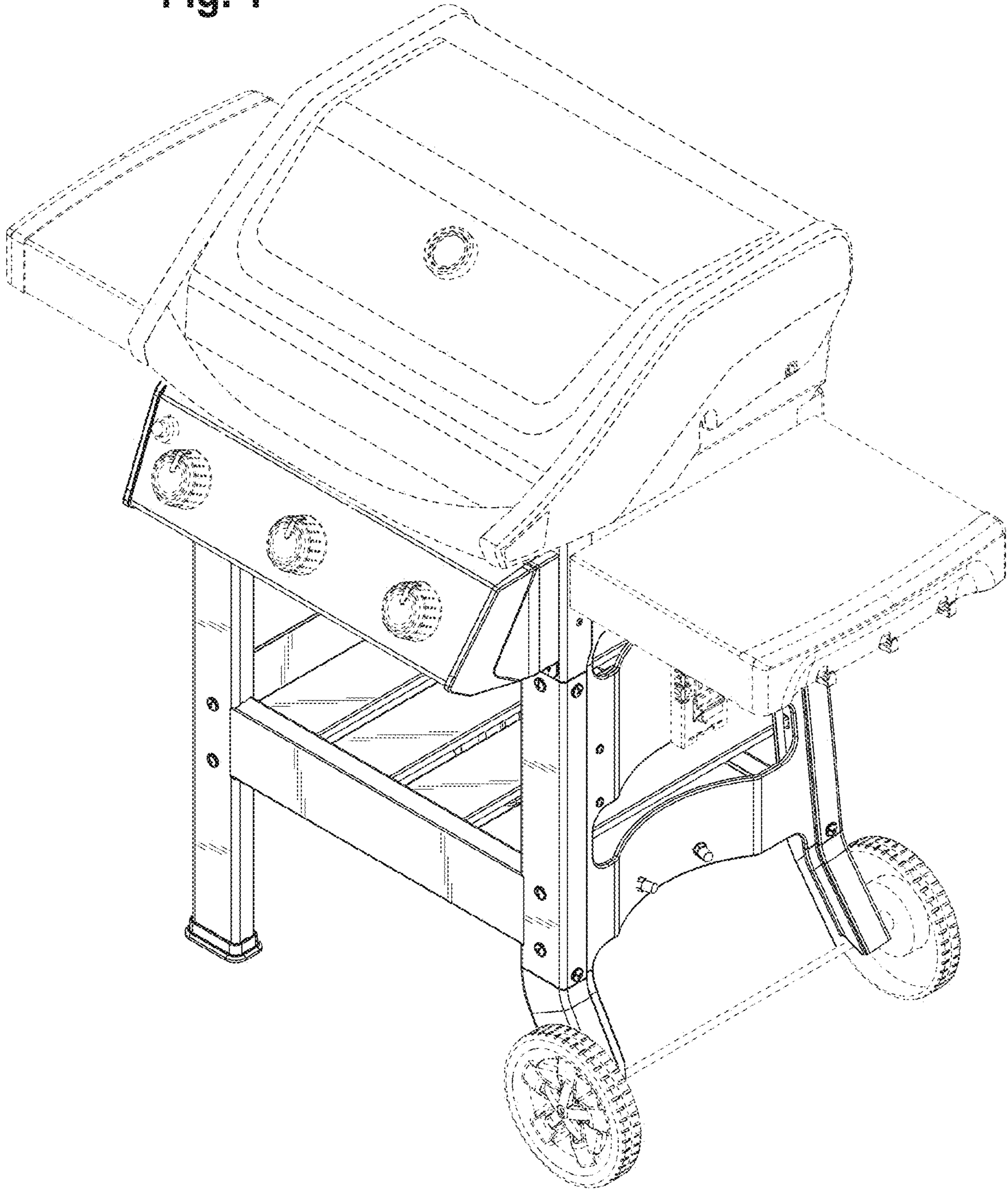


Fig. 1



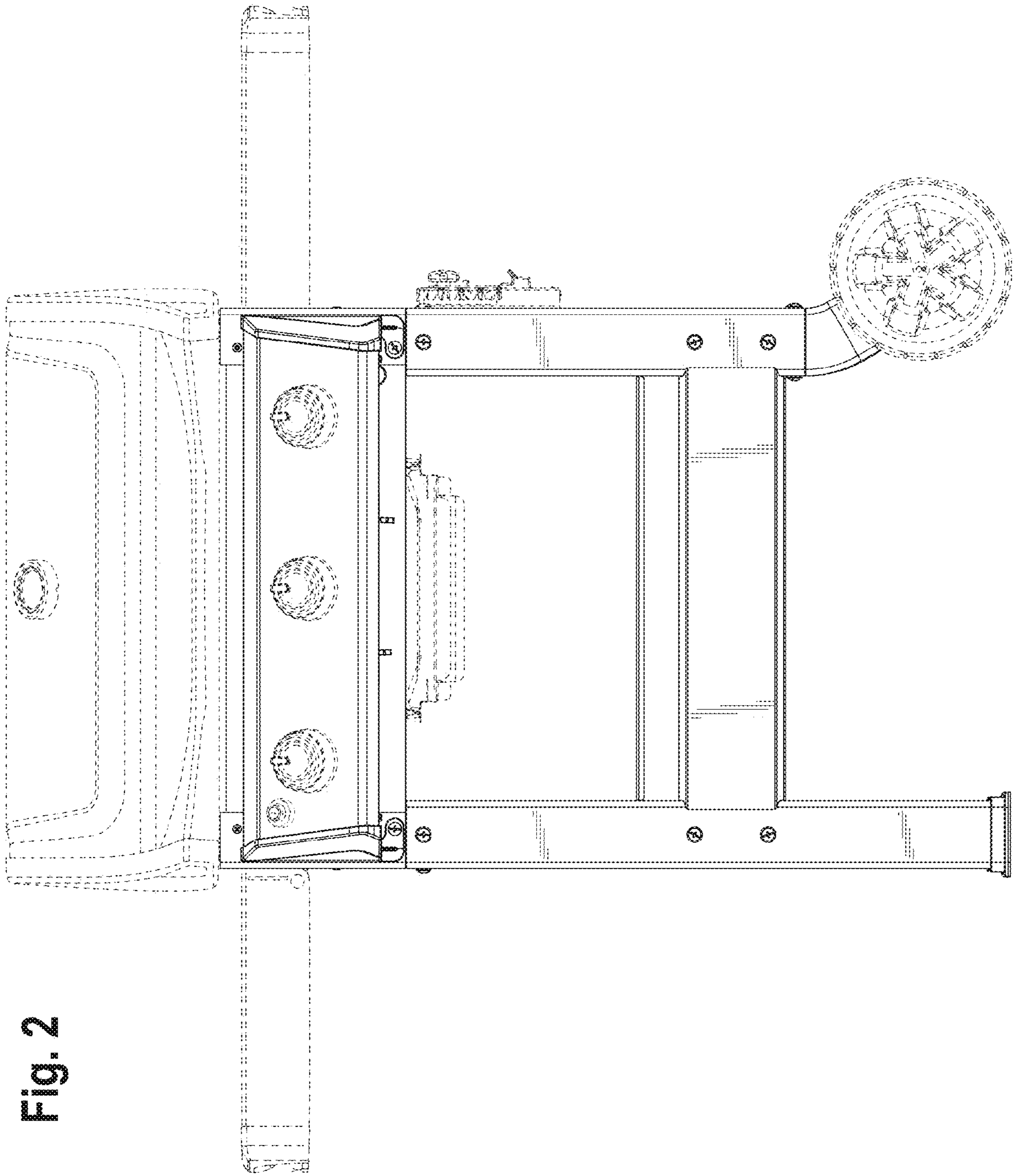
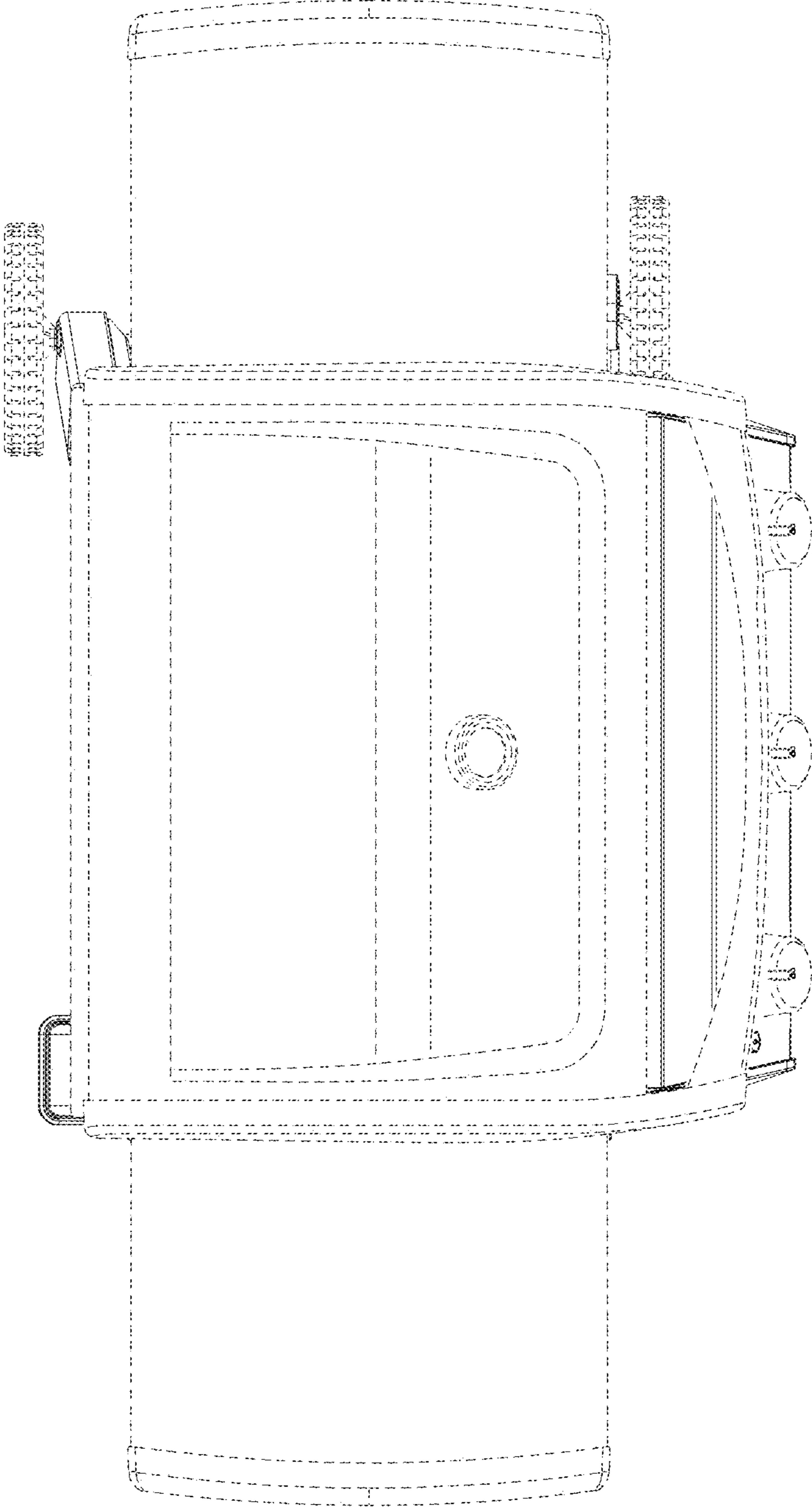


Fig. 2

Fig. 3



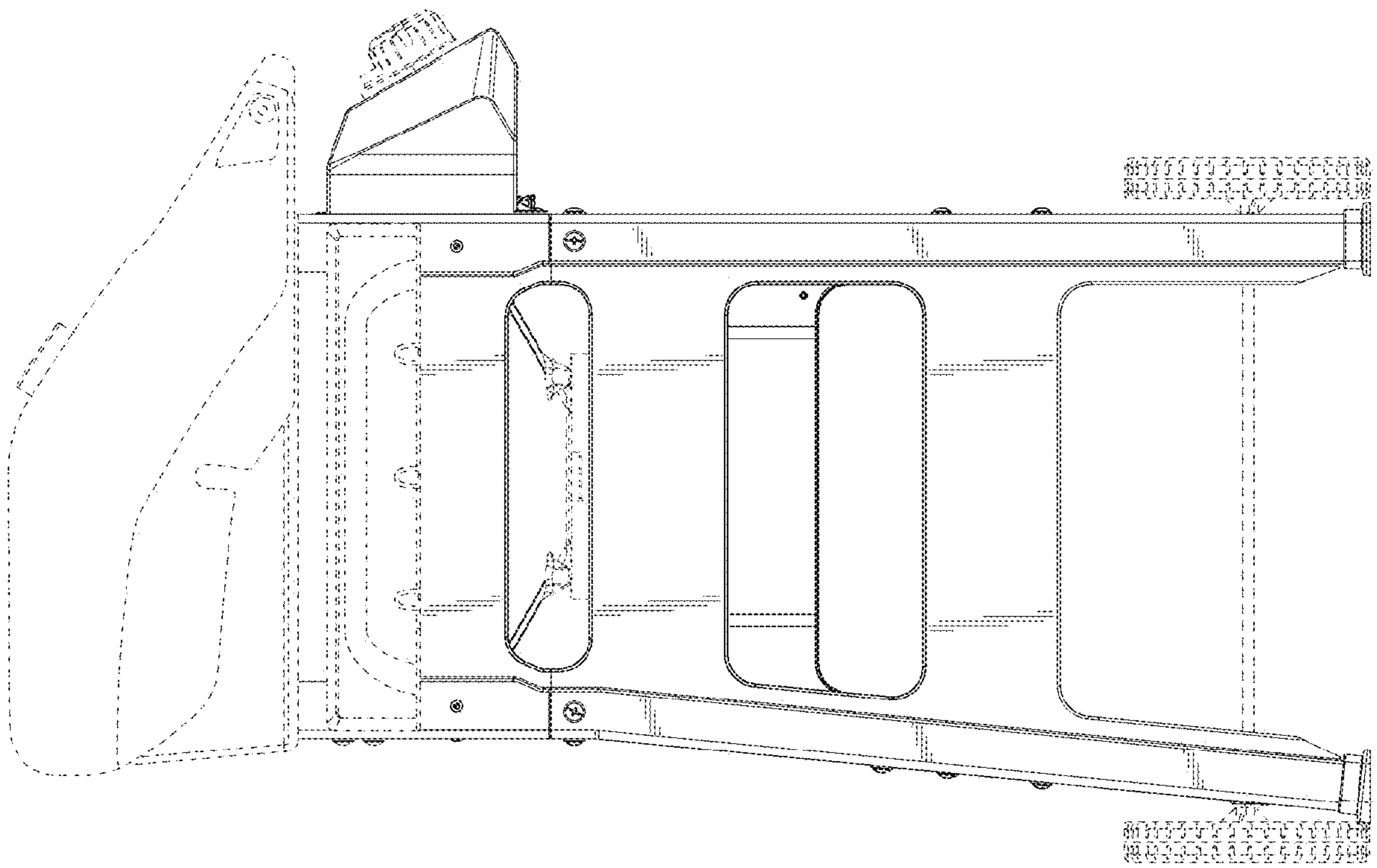


Fig. 4

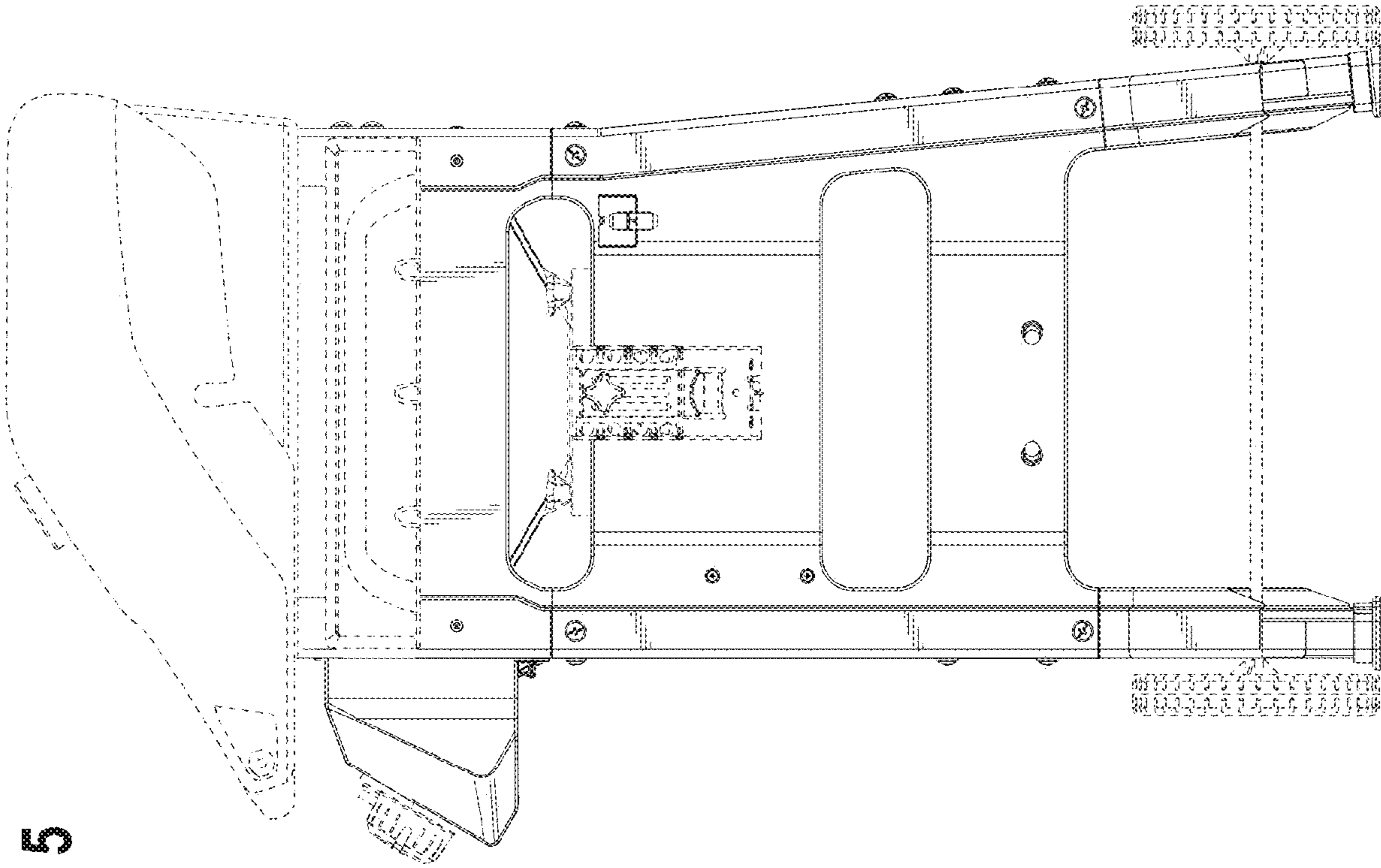


Fig. 5

