



US00D890569S

(12) **United States Design Patent** (10) **Patent No.:** **US D890,569 S**
Fedorak et al. (45) **Date of Patent:** **** Jul. 21, 2020**

(54) **BEVERAGE CAPSULE RECEIVING ADAPTOR**

6,832,542 B2 12/2004 Hu et al.
D513,152 S 12/2005 Cahen
D552,402 S 10/2007 Schwamkrug

(71) Applicant: **BARTESIAN INC.**, Kitchener (CA)

(Continued)

(72) Inventors: **Bryan Neil Stephen Fedorak**, Kitchener (CA); **Jason Neevel**, Kitchener (CA); **Kristopher Christensen**, Oakville (CA); **Jacob Edding**, East York (CA); **Art De Guzman**, Toronto (CA); **Nicol Alexander Boyd**, Kennedy Town (HK); **Jeffrey George Dayman**, Waterloo (CA); **Kevin William Appleby**, Kitchener (CA); **Tomas Wilhelm Rosen**, Lidingö (SE); **David R. Hawks**, Glen Allen, VA (US); **Matthew T. Carley**, Richmond, VA (US)

FOREIGN PATENT DOCUMENTS

CA 2755426 A1 10/2010
CA 2871082 A1 11/2013

(Continued)

OTHER PUBLICATIONS

USPTO, Notice of Allowance and Fee(s) Due, Nov. 2, 2018, re Design U.S. Appl. No. 29/617245.

(Continued)

Primary Examiner — Derrick E Holland

Assistant Examiner — Andrew Kerr

(74) *Attorney, Agent, or Firm* — Perry + Currier

(73) Assignee: **BARTESIAN INC.**, Kitchener (CA)

(**) Term: **15 Years**

(21) Appl. No.: **29/653,902**

(22) Filed: **Jun. 19, 2018**

(51) **LOC (12) Cl.** **07-99**

(52) **U.S. Cl.**
USPC **D7/400**

(58) **Field of Classification Search**
USPC D7/300, 387, 397, 399, 400, 401, 602, D7/619.1, 667; D23/209
CPC A47J 27/21058; A47J 31/40; A47J 31/41; A47J 31/44; A47J 47/00; A47G 19/12; A47G 19/14; A47G 19/145; B01D 35/02; B65B 39/00; B65D 47/06

See application file for complete search history.

(56) **References Cited**

U.S. PATENT DOCUMENTS

D339,028 S 9/1993 Bannigan
D428,986 S 8/2000 Dye

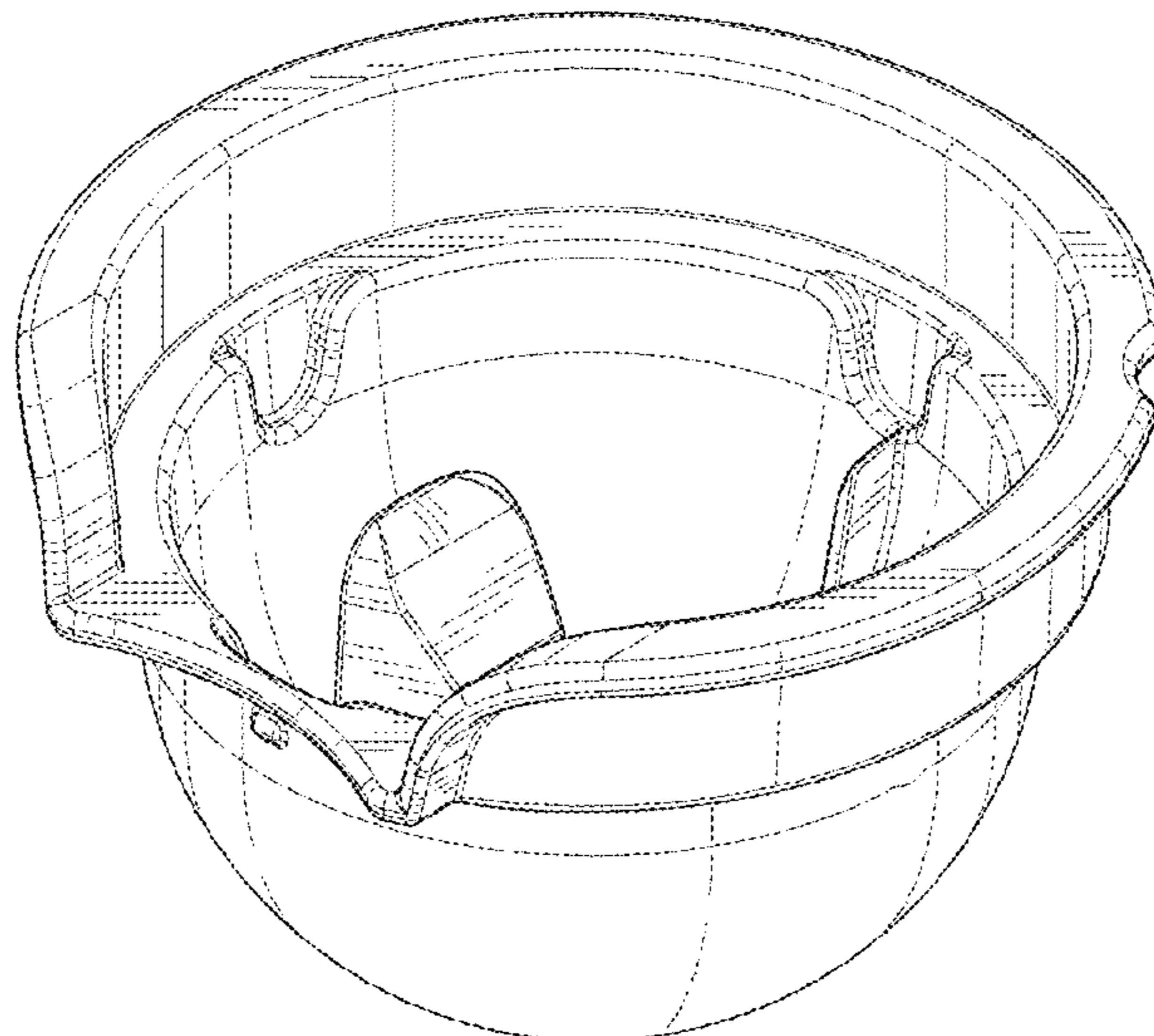
(57) **CLAIM**

What is claimed is the ornamental design for a beverage capsule receiving adaptor, as shown and described.

DESCRIPTION

FIG. 1 shows a top perspective view of a beverage capsule receiving adaptor, showing our new design. FIG. 2 shows a bottom perspective view thereof. FIG. 3 shows another top perspective view thereof. FIG. 4 shows a left side elevation view thereof. FIG. 5 shows a front side elevation view thereof. FIG. 6 shows a right side elevation view thereof. FIG. 7 shows a rear side elevation view thereof. FIG. 8 shows a top plan view thereof; and, FIG. 9 shows a bottom plan view thereof. The broke lines showing of proportions of the beverage capsule receiving adaptor are included for illustrative purposes only and form no part of the claimed design.

1 Claim, 9 Drawing Sheets



(56)

References Cited

U.S. PATENT DOCUMENTS

D560,950 S 2/2008 Schwamkrug
 7,412,921 B2 8/2008 Hu et al.
 7,543,527 B2 6/2009 Schmed
 D596,442 S 7/2009 Cahen
 7,565,860 B1 7/2009 Liu
 D600,967 S 9/2009 Cahen
 D602,303 S 10/2009 Cahen
 7,604,826 B2 10/2009 Denisart et al.
 7,640,843 B2 1/2010 Halliday et al.
 8,062,682 B2 11/2011 Madralis et al.
 8,168,247 B2 5/2012 Halliday et al.
 D662,644 S 6/2012 Wauters
 8,220,382 B2 7/2012 Verbeek
 8,307,754 B2 11/2012 Ternité et al.
 8,402,883 B2 3/2013 Kollep et al.
 8,475,860 B2 7/2013 Colantonio et al.
 D690,150 S 9/2013 Cahen
 D696,888 S 1/2014 Cahen
 8,635,945 B2 1/2014 Verbeek
 D700,475 S * 3/2014 Avigdor D7/400
 8,703,219 B2 4/2014 Doleac et al.
 8,808,775 B2 8/2014 Novak et al.
 8,852,659 B2 10/2014 Halliday et al.
 D718,972 S 12/2014 Jorgensen
 8,906,436 B2 12/2014 Nowak
 8,962,049 B2 2/2015 Doleac et al.
 D724,369 S 3/2015 Cahen
 D726,478 S 4/2015 Cahen
 D726,482 S 4/2015 Cahen
 8,999,421 B2 4/2015 Clark
 D728,481 S 5/2015 Schulte
 D728,987 S 5/2015 Cahen
 D728,988 S 5/2015 Warburton
 D731,223 S 6/2015 Hatherell
 9,120,617 B2 9/2015 Beer
 D742,679 S 11/2015 Bartoli et al.
 D747,139 S * 1/2016 Rondelli D7/400
 9,295,278 B2 3/2016 Nowak
 9,320,382 B2 4/2016 Lo Faro et al.
 9,352,287 B2 5/2016 Snider et al.
 9,357,870 B2 6/2016 Doleac et al.
 9,371,174 B2 6/2016 Wong et al.
 9,371,175 B2 6/2016 Dogan et al.
 9,371,176 B2 6/2016 Kohli et al.
 D760,530 S 7/2016 Bartoli et al.
 D761,051 S 7/2016 Bartoli et al.
 9,428,328 B2 8/2016 Trombetta et al.
 D766,078 S * 9/2016 Hansen D9/416
 9,469,471 B2 10/2016 Dran et al.
 D771,993 S 11/2016 Cai et al.
 D782,908 S * 4/2017 Bentkovski D9/449
 D796,898 S * 9/2017 Robotti D7/400
 D800,487 S 10/2017 Chawla et al.
 D800,497 S * 10/2017 Fedorak D7/397
 D830,756 S 10/2018 Cahen
 D844,379 S * 4/2019 Simonazzi D7/400
 D853,843 S * 7/2019 Michailides D9/449
 2010/0288132 A1 11/2010 Gavillet et al.
 2011/0045144 A1 2/2011 Boussemart et al.
 2012/0052159 A1 3/2012 Doleac et al.
 2012/0199227 A1 8/2012 Manser et al.

2012/0231126 A1 9/2012 Lo Faro et al.
 2013/0129870 A1 5/2013 Novak et al.
 2013/0189400 A1 7/2013 Pribus et al.
 2013/0236609 A1 9/2013 Magniet et al.
 2013/0247774 A1 9/2013 Macchiavelli et al.
 2014/0026761 A1 1/2014 Bartoli et al.
 2014/0053735 A1 2/2014 Verbeek
 2014/0137747 A1 5/2014 Verbeek
 2014/0141133 A1 5/2014 Halliday et al.
 2014/0326144 A1 11/2014 Novak et al.
 2014/0326361 A1 11/2014 Larzul et al.
 2014/0328980 A1 11/2014 Novak et al.
 2014/0331867 A1 11/2014 Novak et al.
 2014/0331868 A1 11/2014 Novak et al.
 2014/0335239 A1 11/2014 Novak et al.
 2014/0338542 A1 11/2014 Smith et al.
 2015/0034127 A1 2/2015 Talon et al.
 2015/0056331 A1 2/2015 Rivera
 2015/0056352 A1 2/2015 Dogan et al.
 2015/0072053 A1 3/2015 Dogan et al.
 2015/0079240 A1 3/2015 Lo Foro et al.
 2015/0125576 A1 5/2015 Dogan
 2015/0135965 A1 5/2015 Lo Foro et al.
 2015/0140182 A1 5/2015 Dogan et al.
 2015/0144001 A1 5/2015 Lo Foro et al.
 2015/0147448 A1 5/2015 Lo Foro et al.
 2015/0166258 A1 6/2015 Gruder
 2015/0274412 A1 * 10/2015 Bisio B65D 85/8046
 426/115
 2015/0307266 A1 10/2015 Zanetti
 2015/0368033 A1 12/2015 Krug et al.
 2016/0051080 A1 2/2016 Lo Faro et al.
 2016/0137401 A1 5/2016 Heydel et al.
 2016/0255990 A1 9/2016 Bartoli et al.
 2016/0362246 A1 * 12/2016 Garcin A47J 31/0673

FOREIGN PATENT DOCUMENTS

CA 2895646 A1 7/2014
 CA 2894436 A1 12/2015
 CN 10401 0949 A 8/2014
 CN 104302559 A 1/2015
 CN 104955744 A 9/2015
 WO WO-2015189689 A3 12/2015

OTHER PUBLICATIONS

International Search Report dated Jun. 15, 2017 for PCT International Application No. PCT/IB2017/051205.
 Written Opinion of the International Searching Authority dated Jun. 15, 2017 for PCT International Application No. PCT/IB2017/051205.
 WIPO/IB, International Preliminary Report on Patentability (Ch 1), Sep. 4, 2018, re PCT International Patent Application No. PCT/IB2017/051205.
 SIPO, First Office Action [with English translation], dated Aug. 16, 2019, re China Patent Application No. 201780014373.6.
 CIPO, Examination Report, dated Jan. 10, 2020, re Canadian Industrial Design Application No. 191938.
 CIPO, Examination Report, dated Oct. 22, 2019, re Canadian Industrial Design Application No. 182165.

* cited by examiner

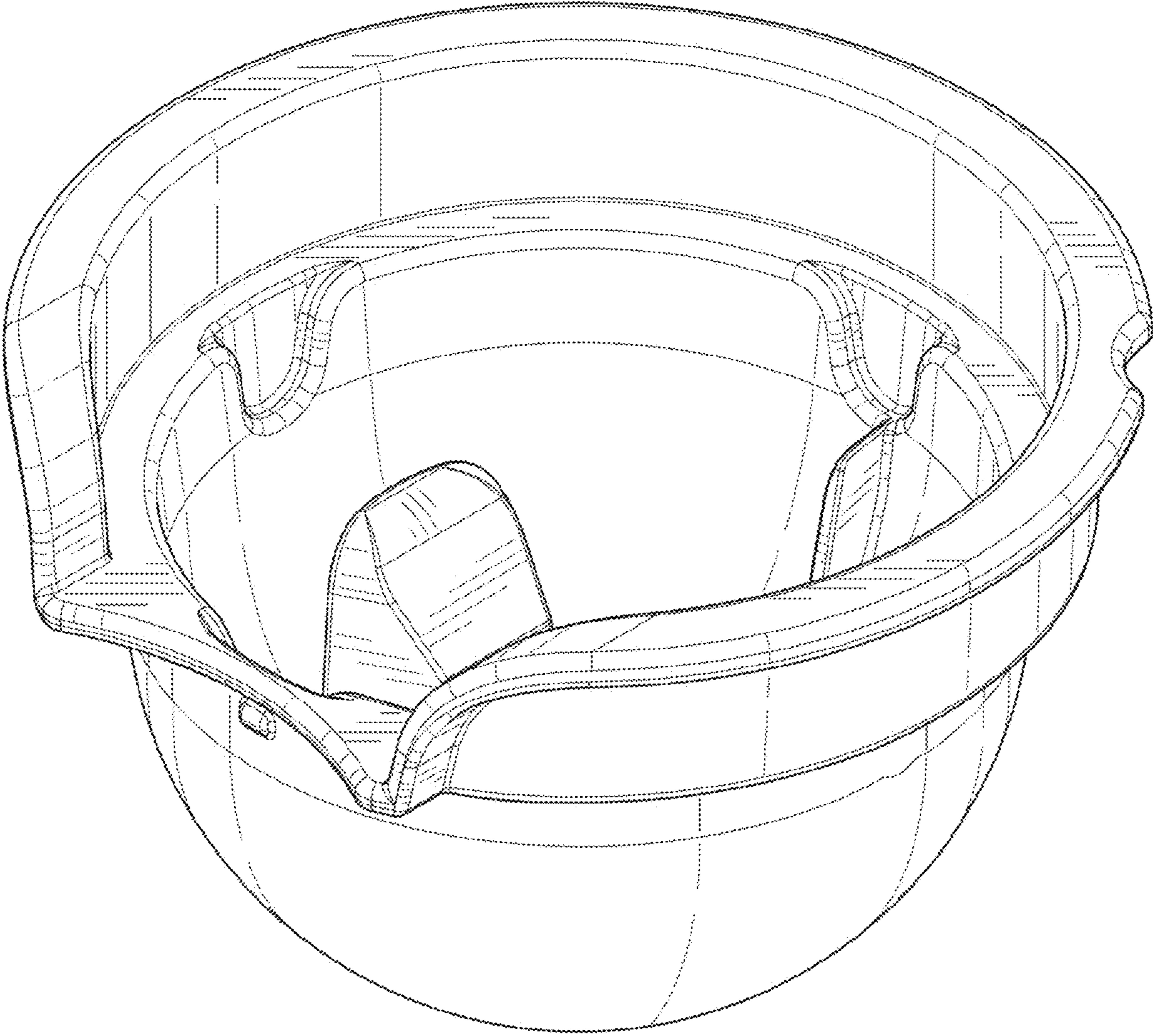


FIG. 1

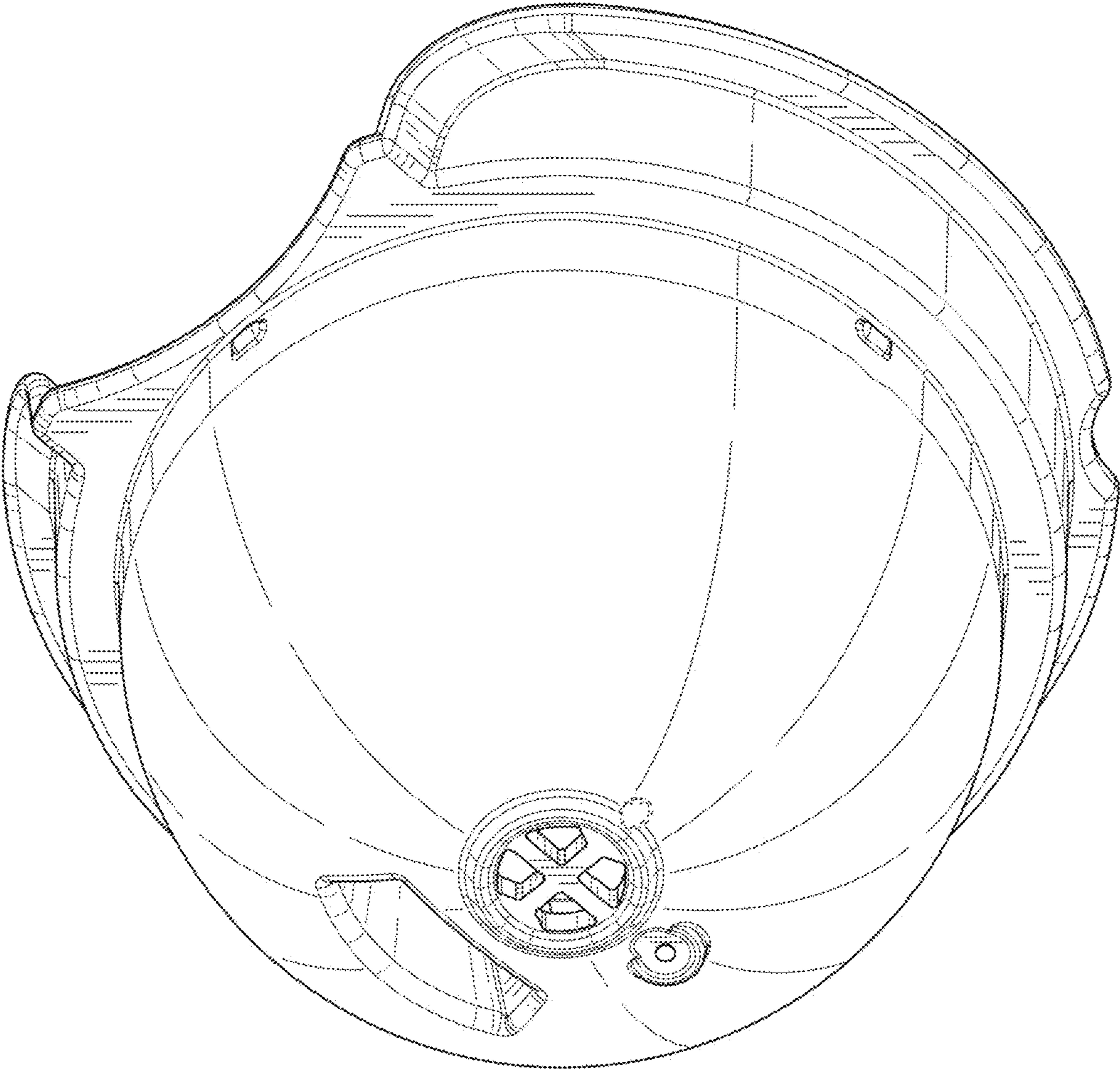


FIG. 2

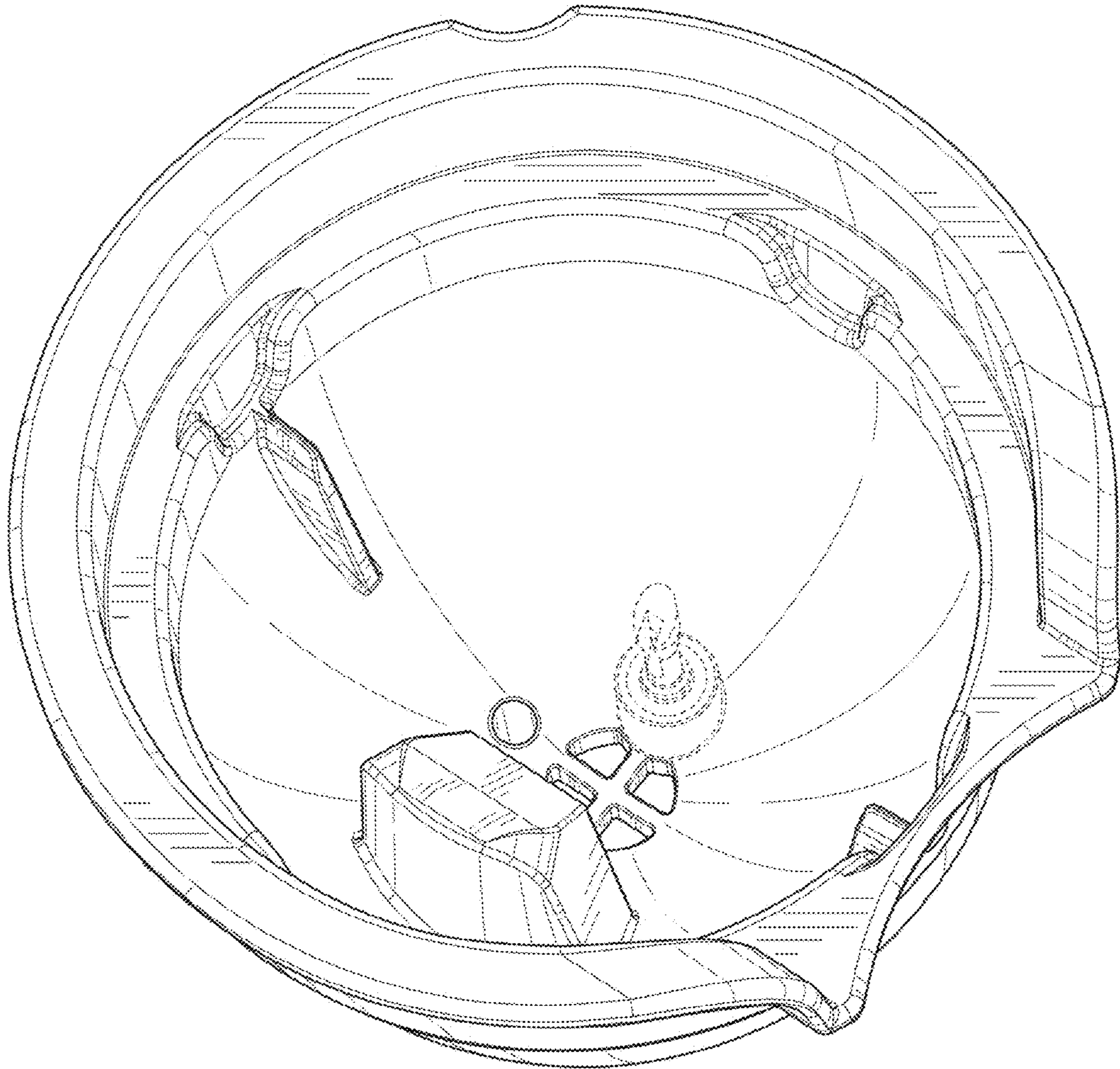


FIG. 3

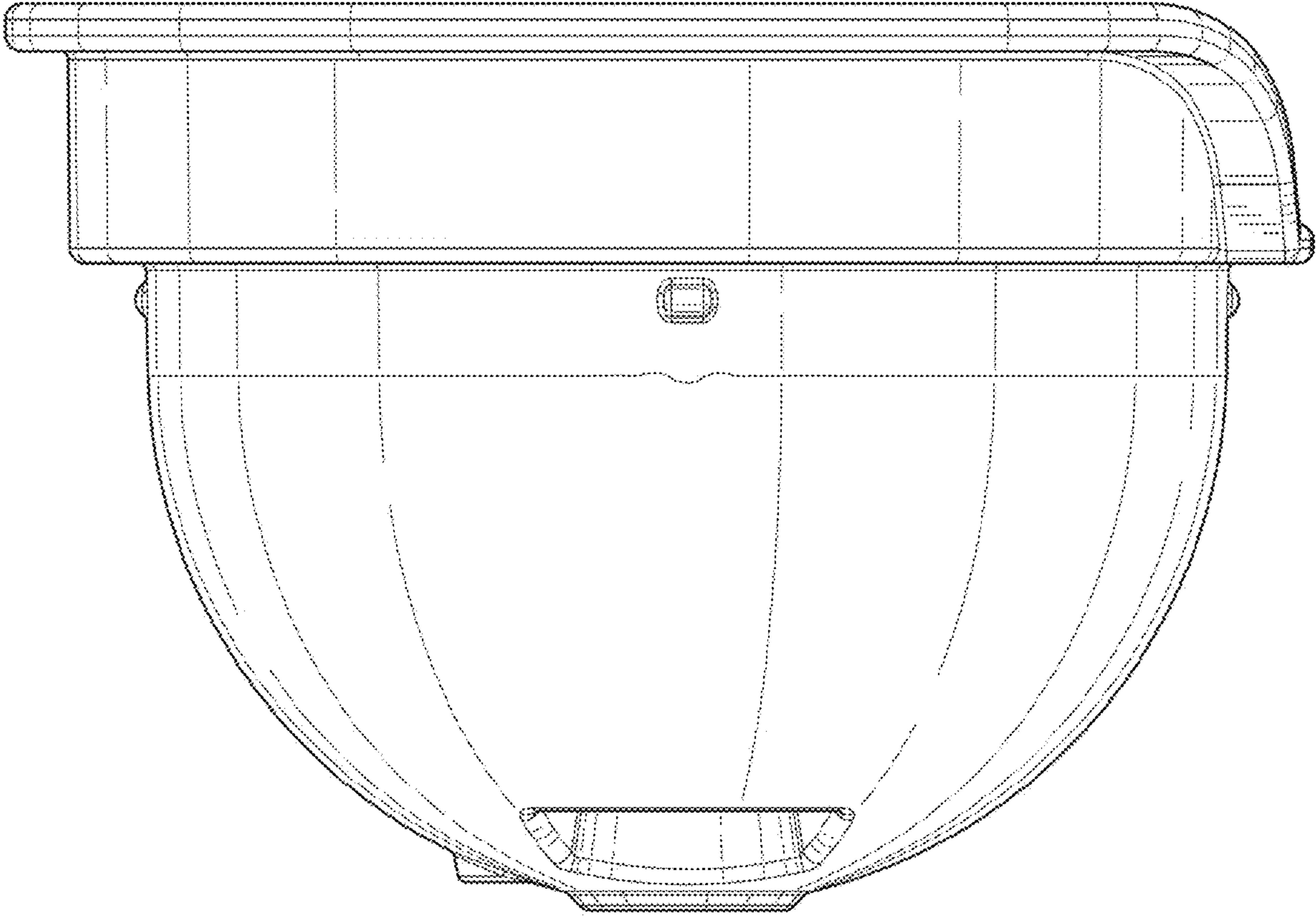


FIG. 4

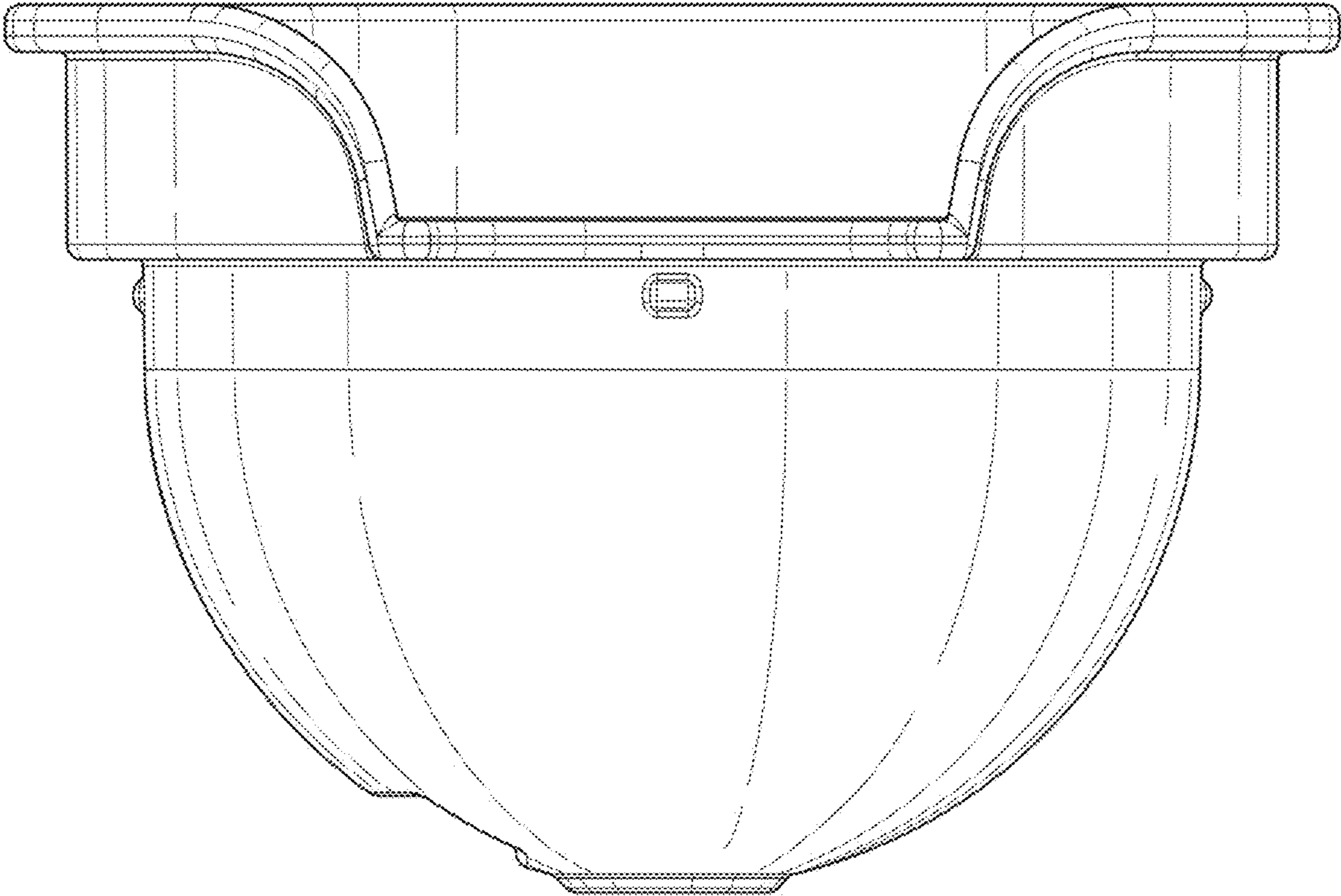


FIG. 5

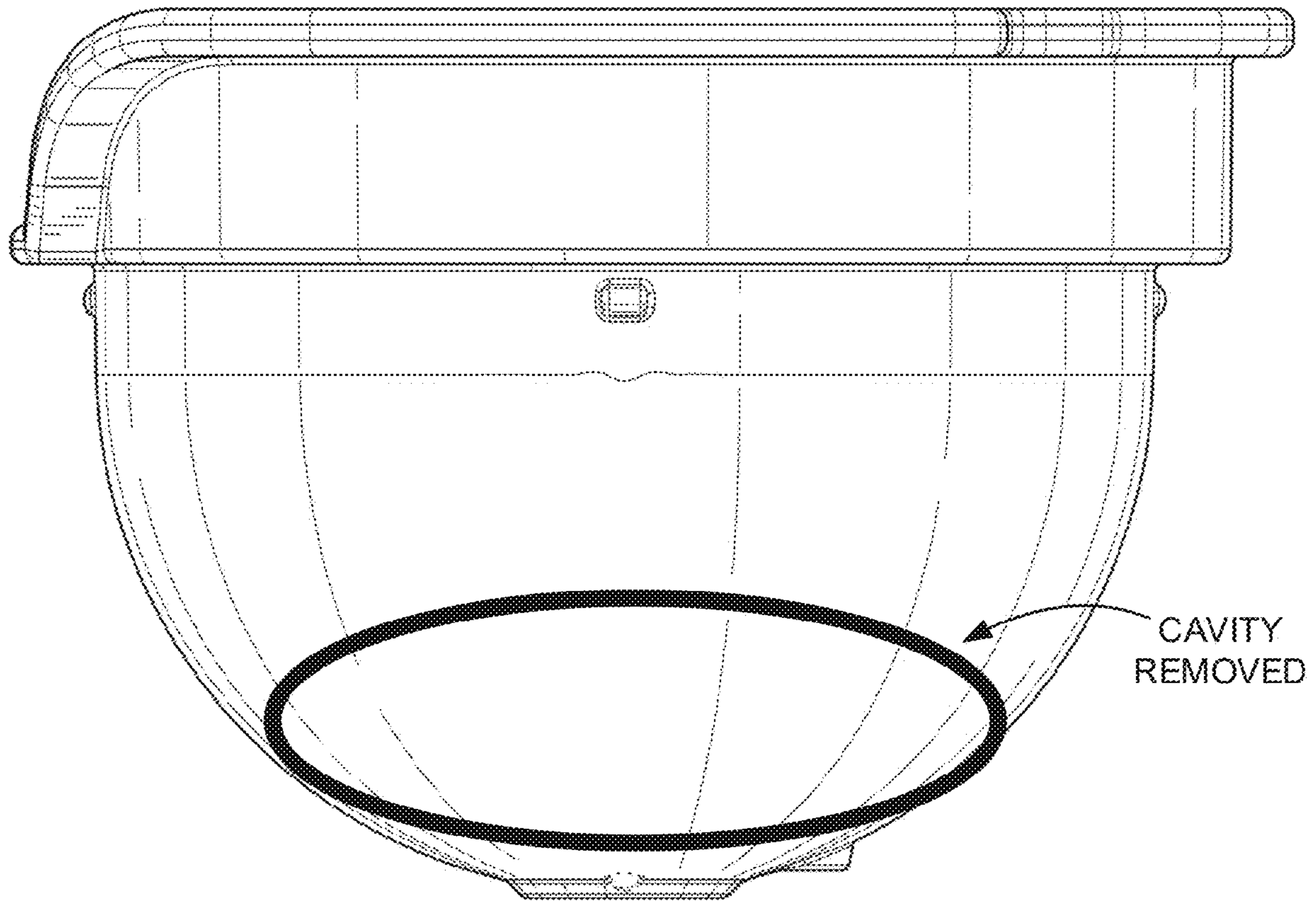


FIG. 6

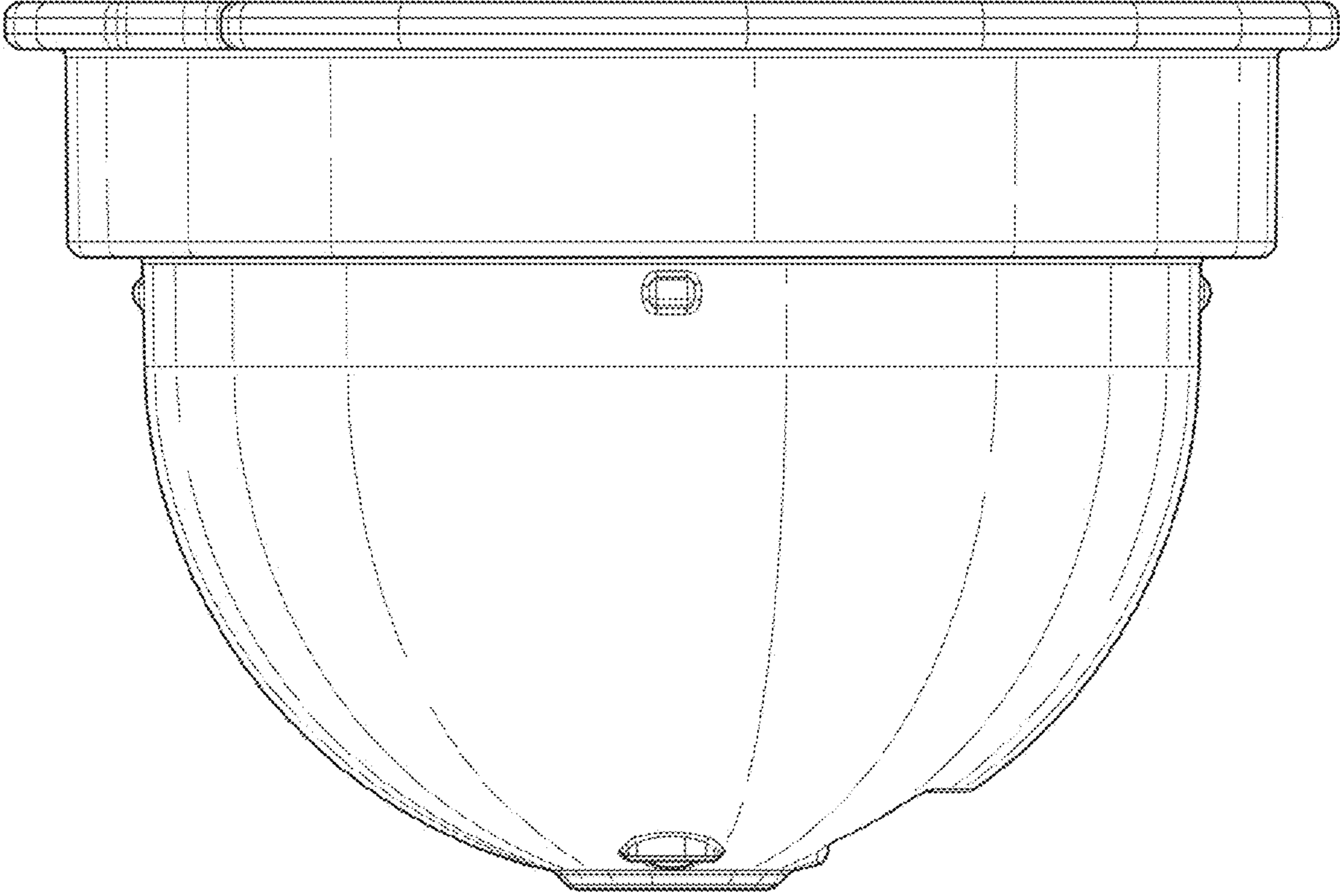


FIG. 7

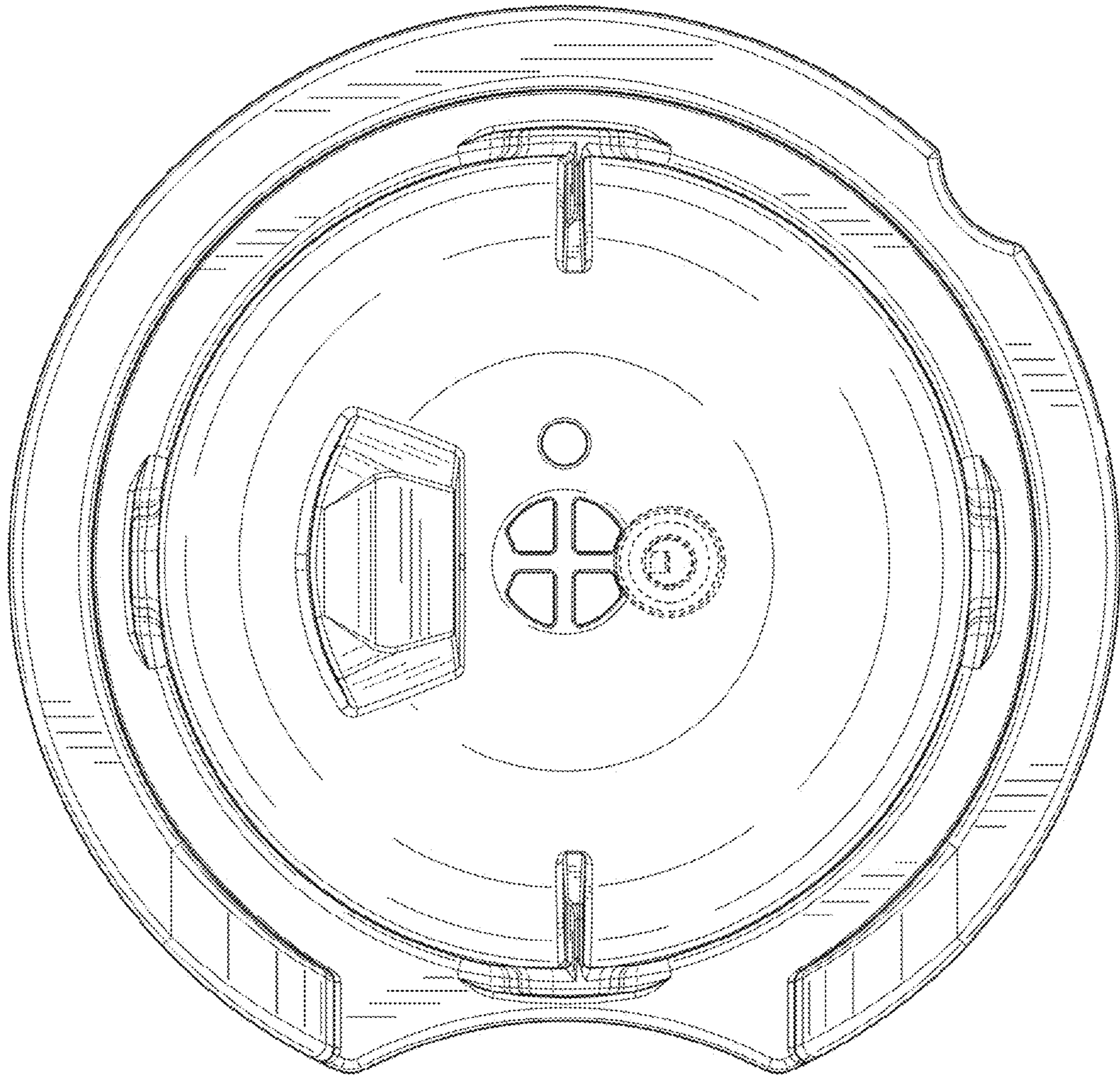


FIG. 8

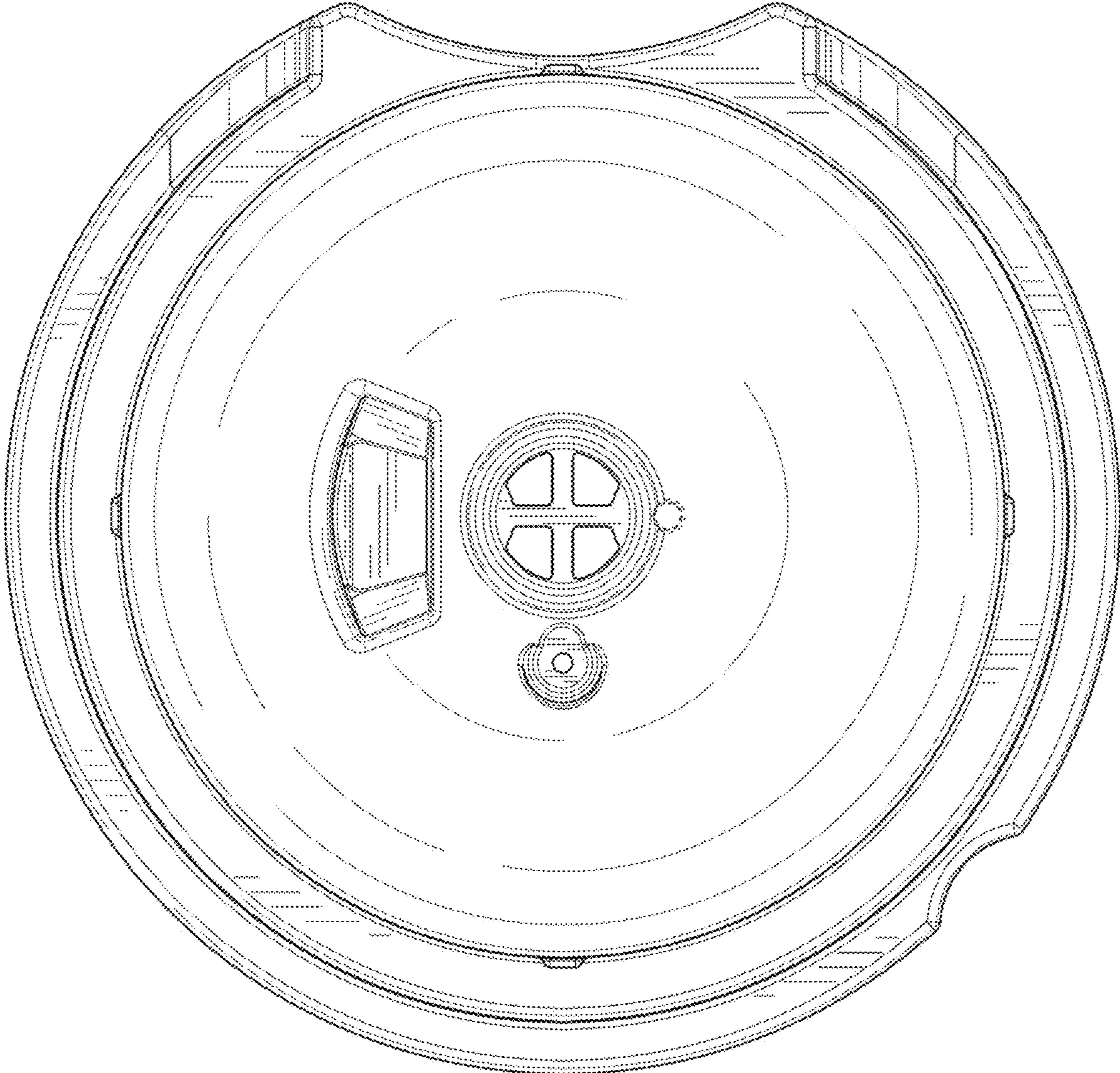


FIG. 9