

US00D890568S

(12) **United States Design Patent** (10) **Patent No.:** **US D890,568 S**  
**Davis** (45) **Date of Patent:** **\*\* Jul. 21, 2020**

(54) **CONTAINER LID**  
(71) Applicant: **DART CONTAINER CORPORATION**, Mason, MI (US)

D437,223 S 2/2001 Coy et al.  
6,419,112 B1 \* 7/2002 Bruce ..... B65D 21/0219  
206/509  
D516,424 S \* 3/2006 Schweigert ..... D9/447  
(Continued)

(72) Inventor: **Derek Davis**, Mason, MI (US)  
(73) Assignee: **Dart Container Corporation**, Mason, MI (US)

**FOREIGN PATENT DOCUMENTS**

GB 2363776 A 1/2002  
JP 2004244051 A 9/2004

(\*\*) Term: **15 Years**

**OTHER PUBLICATIONS**

(21) Appl. No.: **29/674,502**

DART Lid for Trophy Plus Cup: Site Visited [Oct. 15, 2019]. Available from Internet URL: <https://www.dartcontainer.com/products/foodservice-catalog/accessories/lids/lids-for-trophy-plus-cups/lgxbk2-0004/>.\*

(22) Filed: **Dec. 21, 2018**

(51) **LOC (12) Cl.** ..... **07-99**

(Continued)

(52) **U.S. Cl.**

USPC ..... **D7/396.2**

(58) **Field of Classification Search**

USPC .... D3/202; D7/500, 509, 510, 550.1, 553.1, D7/553.2, 553.6, 354, 357, 387, 388, 391, D7/392, 392.1, 396.1, 396.2, 396.3, D7/396.6, 397; D9/758, 761, 424, 432, D9/430, 434, 435, 455, 456, 447, 449, D9/450, 452, 453

CPC ..... A47G 19/2272; B65D 43/02; B65D 43/0214; B65D 43/0202; B65D 41/34; B65D 53/02; B65D 50/041; B65D 2501/00; B65D 2501/0009; B65D 47/06; B65D 47/36; B65D 47/247; B65D 47/265; B65D 47/283; B65D 47/08; B65D 47/065; B65D 47/361; A61J 1/16; F16B 47/00

See application file for complete search history.

*Primary Examiner* — Catherine S Posthauer  
(74) *Attorney, Agent, or Firm* — McGarry Bair PC

(57) **CLAIM**

The ornamental design for a container lid, as shown and described.

**DESCRIPTION**

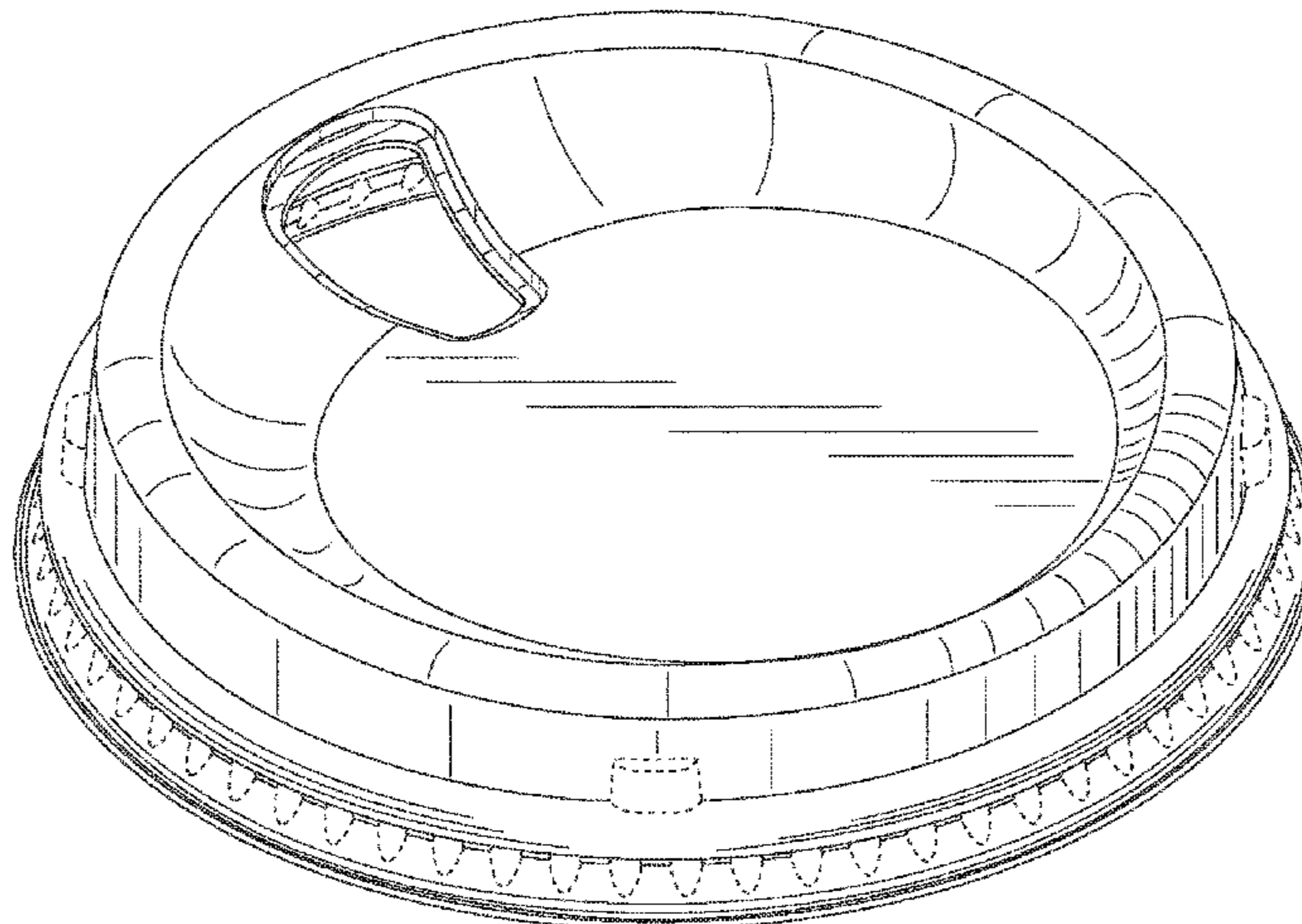
FIG. 1 is a top perspective view of a container lid, showing my new design;  
FIG. 2 is another top perspective view of the container lid of FIG. 1, rotated 180-degrees from the position of FIG. 1;  
FIG. 3 is a top view thereof;  
FIG. 4 is a bottom view thereof;  
FIG. 5 is a left side view thereof;  
FIG. 6 is a right side view thereof;  
FIG. 7 is a front view thereof;  
FIG. 8 is rear view thereof;  
FIG. 9 is a cross sectional view thereof, taken in the direction of line 9-9 on FIG. 3; and,  
FIG. 10 is a cross sectional view thereof, taken in the direction of line 10-10 on FIG. 3.

(Continued)

(56) **References Cited**

**U.S. PATENT DOCUMENTS**

3,583,596 A 6/1971 Brewer  
4,503,992 A 3/1985 Sitko et al.  
4,615,459 A 10/1986 Clements  
D299,010 S \* 12/1988 Wall ..... D9/435  
5,624,053 A 4/1997 Freck et al.



The broken lines illustrate portions of the container lid that form no part of the claimed design.

**1 Claim, 7 Drawing Sheets**

(56)

**References Cited**

U.S. PATENT DOCUMENTS

|              |      |         |                   |                           |
|--------------|------|---------|-------------------|---------------------------|
| 7,591,393    | B2   | 9/2009  | Crudgington, Jr.  |                           |
| D615,861     | S *  | 5/2010  | Watts .....       | D9/445                    |
| 7,845,510    | B2   | 12/2010 | Schmidtner et al. |                           |
| D658,059     | S    | 4/2012  | Bailey            |                           |
| D666,490     | S *  | 9/2012  | Leon .....        | D9/447                    |
| 8,313,002    | B2   | 11/2012 | Tokunaga          |                           |
| 8,381,935    | B1 * | 2/2013  | Buck .....        | A47G 19/2205<br>220/254.4 |
| 8,528,768    | B2   | 9/2013  | Gianfranco        |                           |
| D696,941     | S *  | 1/2014  | Kim .....         | D9/447                    |
| D696,942     | S *  | 1/2014  | Kim .....         | D9/447                    |
| D696,943     | S *  | 1/2014  | Kim .....         | D9/447                    |
| 8,631,957    | B2   | 1/2014  | Dart et al.       |                           |
| 8,733,583    | B2   | 5/2014  | Bailey            |                           |
| D709,366     | S    | 7/2014  | Fleming           |                           |
| D709,367     | S    | 7/2014  | Fleming           |                           |
| 8,881,938    | B2   | 11/2014 | Brannock          |                           |
| D722,498     | S *  | 2/2015  | Fleming .....     | D9/447                    |
| D736,623     | S *  | 8/2015  | Brannock .....    | D9/447                    |
| D737,142     | S *  | 8/2015  | Brannock .....    | D9/447                    |
| D739,729     | S *  | 9/2015  | Brannock .....    | D9/447                    |
| D754,535     | S *  | 4/2016  | Kim .....         | D9/435                    |
| D756,773     | S *  | 5/2016  | Brannock .....    | D9/438                    |
| D761,104     | S *  | 7/2016  | Buck .....        | D9/447                    |
| 9,642,483    | B2   | 5/2017  | Fleming           |                           |
| 9,751,666    | B2   | 9/2017  | Brannock          |                           |
| D807,746     | S    | 1/2018  | Fleming           |                           |
| D820,678     | S *  | 6/2018  | Chapman .....     | D9/447                    |
| D828,160     | S    | 9/2018  | Baird et al.      |                           |
| 10,219,642   | B2 * | 3/2019  | Savenok .....     | A47G 19/2272              |
| 10,264,902   | B2 * | 4/2019  | Althaher .....    | B65D 43/0214              |
| D852,626     | S *  | 7/2019  | Savenok .....     | D9/449                    |
| D859,988     | S *  | 9/2019  | Brannock .....    | D9/447                    |
| 2006/0071008 | A1 * | 4/2006  | Sadlier .....     | B65D 43/0218<br>220/713   |
| 2006/0096983 | A1 * | 5/2006  | Patterson .....   | B65D 47/265<br>220/253    |
| 2008/0061069 | A1 * | 3/2008  | Edelstein .....   | B65D 43/0212<br>220/713   |
| 2008/0257899 | A1 * | 10/2008 | Whitaker .....    | B65D 43/0212<br>220/717   |
| 2009/0250479 | A1 * | 10/2009 | Kaufman .....     | A47G 19/2272<br>220/713   |

|              |      |         |                 |                         |
|--------------|------|---------|-----------------|-------------------------|
| 2009/0266829 | A1 * | 10/2009 | Bailey .....    | B65D 43/0202<br>220/713 |
| 2011/0114655 | A1 * | 5/2011  | Bailey .....    | B65D 43/0214<br>220/713 |
| 2012/0000923 | A1   | 1/2012  | Powell          |                         |
| 2012/0152968 | A1 * | 6/2012  | Bailey .....    | B65D 43/0212<br>220/713 |
| 2012/0305608 | A1   | 12/2012 | Powell          |                         |
| 2013/0068772 | A1   | 3/2013  | Durdon et al.   |                         |
| 2013/0233898 | A1 * | 9/2013  | Resnikoff ..... | B65D 47/06<br>222/568   |
| 2014/0042177 | A1 * | 2/2014  | Fleming .....   | B65D 43/02<br>220/713   |
| 2015/0014322 | A1 * | 1/2015  | Kim .....       | B65D 43/0212<br>220/373 |
| 2015/0031516 | A1   | 1/2015  | Brannock        |                         |
| 2016/0075490 | A1   | 3/2016  | Brannock        |                         |
| 2016/0075491 | A1   | 3/2016  | Brannock        |                         |
| 2016/0075492 | A1   | 3/2016  | Brannock        |                         |
| 2016/0345762 | A1   | 12/2016 | Brannock        |                         |
| 2018/0042413 | A1   | 2/2018  | Althaher et al. |                         |
| 2018/0141723 | A1   | 5/2018  | Chen            |                         |

OTHER PUBLICATIONS

Starbucks Drink Through Lid: Announced Jul. 23, 2018 [online]. Site Visited [Oct. 15, 2019]. Available from Internet URL: <https://www.theguardian.com/business/2018/jul/23/starbucks-straws-ban-2020-environment>.\*

Starbucks Strawless Lid: Announced May 24, 2018 [online]. Site Visited [May 15, 2015]. Available from Internet URL: <https://www.youtube.com/watch?v=zKERylmkNow>.\*

Specialty Lids, Dart Container Corporation, 2 Pages, 2016.

Dart Container 16LCD Plastic Clear Dome Lid (16LCDDART) Category: Cup Lids by Dart, <https://www.amazon.com/Container-16LCD-Plastic-16LCDDART-Category/dp/B00MQ0IBOY>, Accessed December 21, 2018.

Straws are out, lids are in: Starbucks announces environmental milestone by Bonnie Rochman/Starbucks Newsroom, <https://news.starbucks.com/news/starbucks-announces-environmental-milestone>, Jul. 9, 2018.

ECO Products, Cold Cup Sip Lid, <https://www.ecoproductsstore.com/cold-cup-sip-lid-fits-9-12-24oz-cold-cups.html>, Accessed Dec. 21, 2018.

Strawless Sip Lid for Pet Drink Cups by Amhil, <http://the-complete-package.com/View/Strawless-Sip-Lid-or-PET-Drink-Cups-by-Amhil>, Accessed Dec. 21, 2018.

Polar Pak, Polar Sip Lid (STY), <https://www.polarpak.ca/products/view/810/132>, Accessed Dec. 21, 2018.

\* cited by examiner

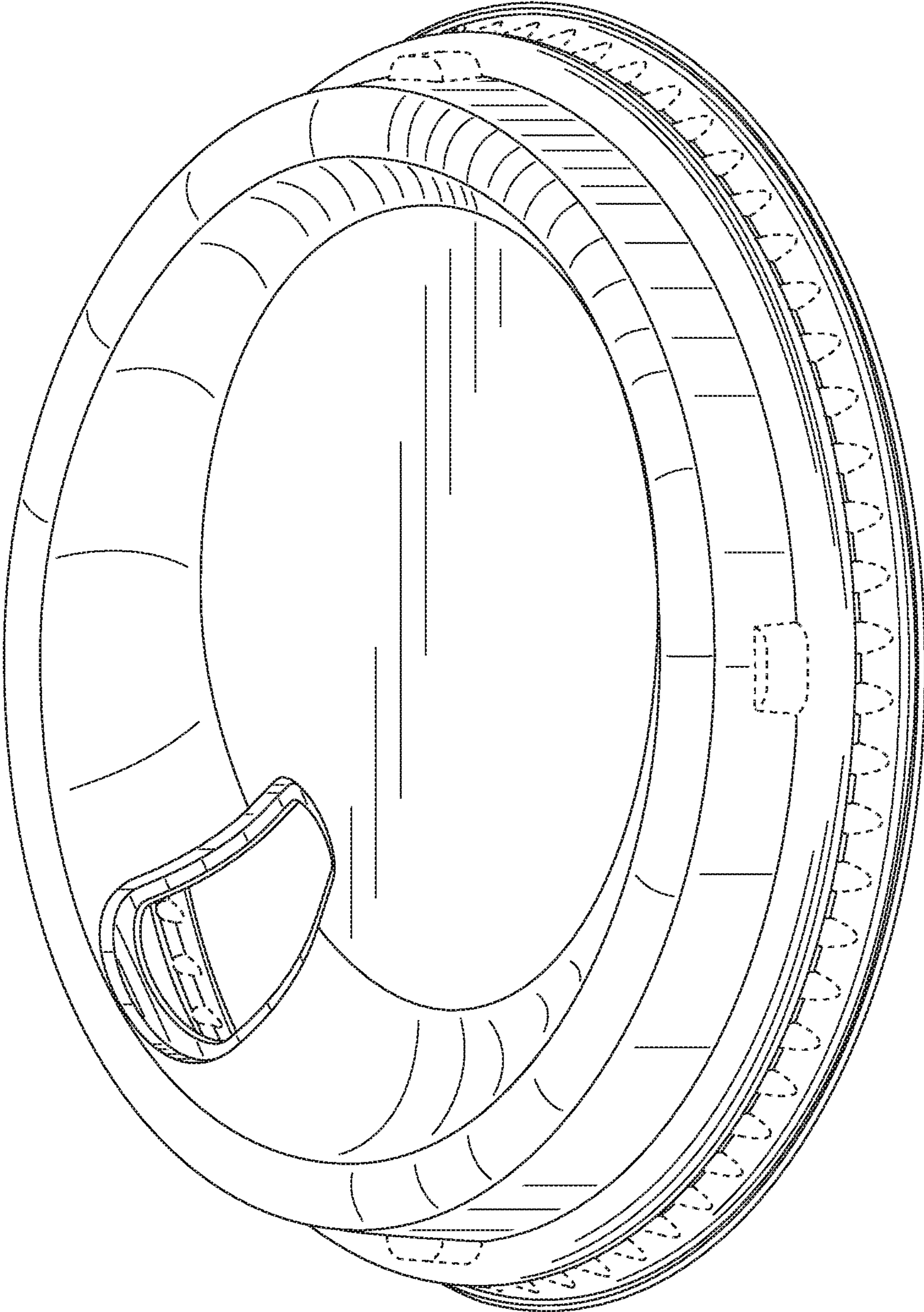


FIG. 1

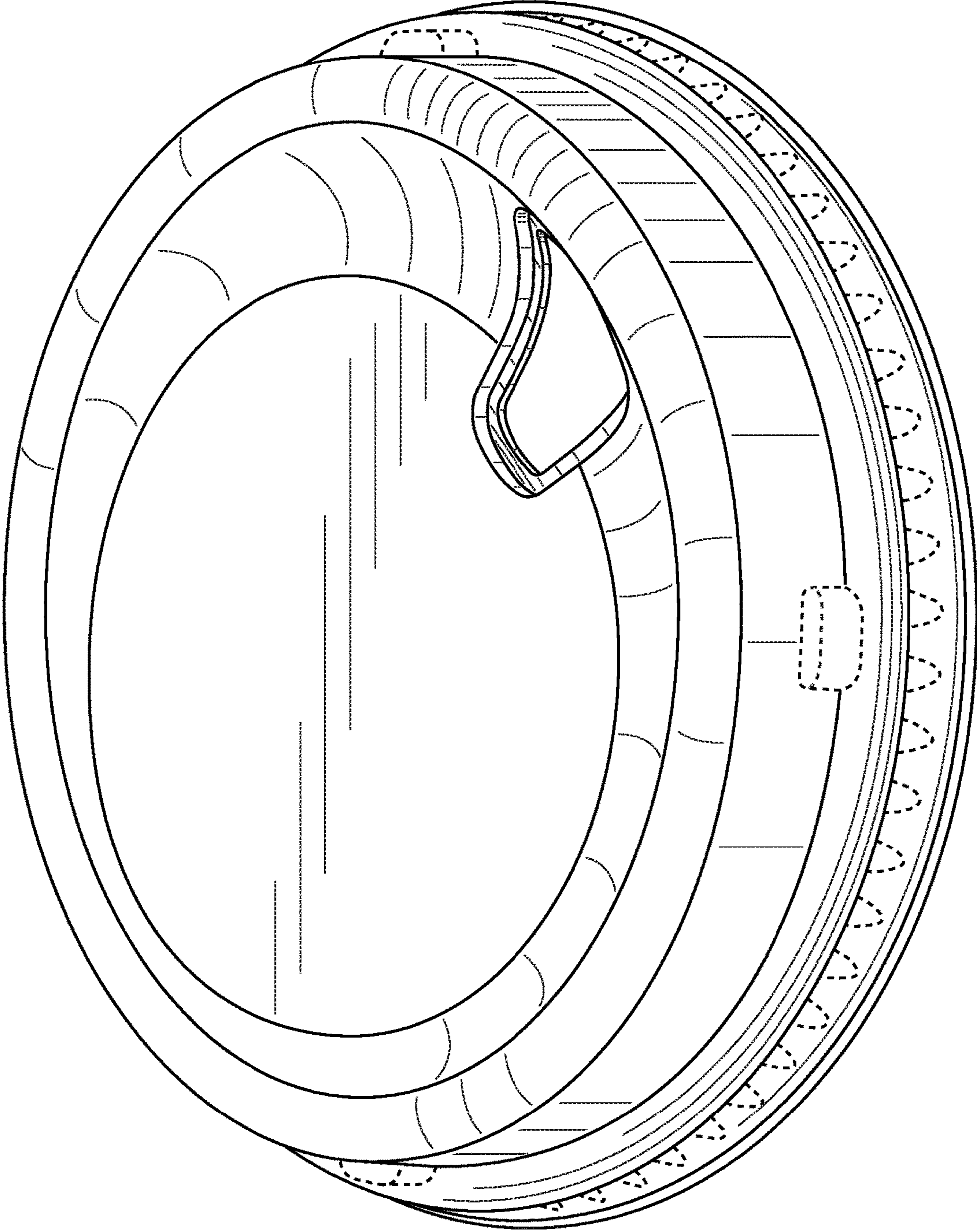


FIG. 2

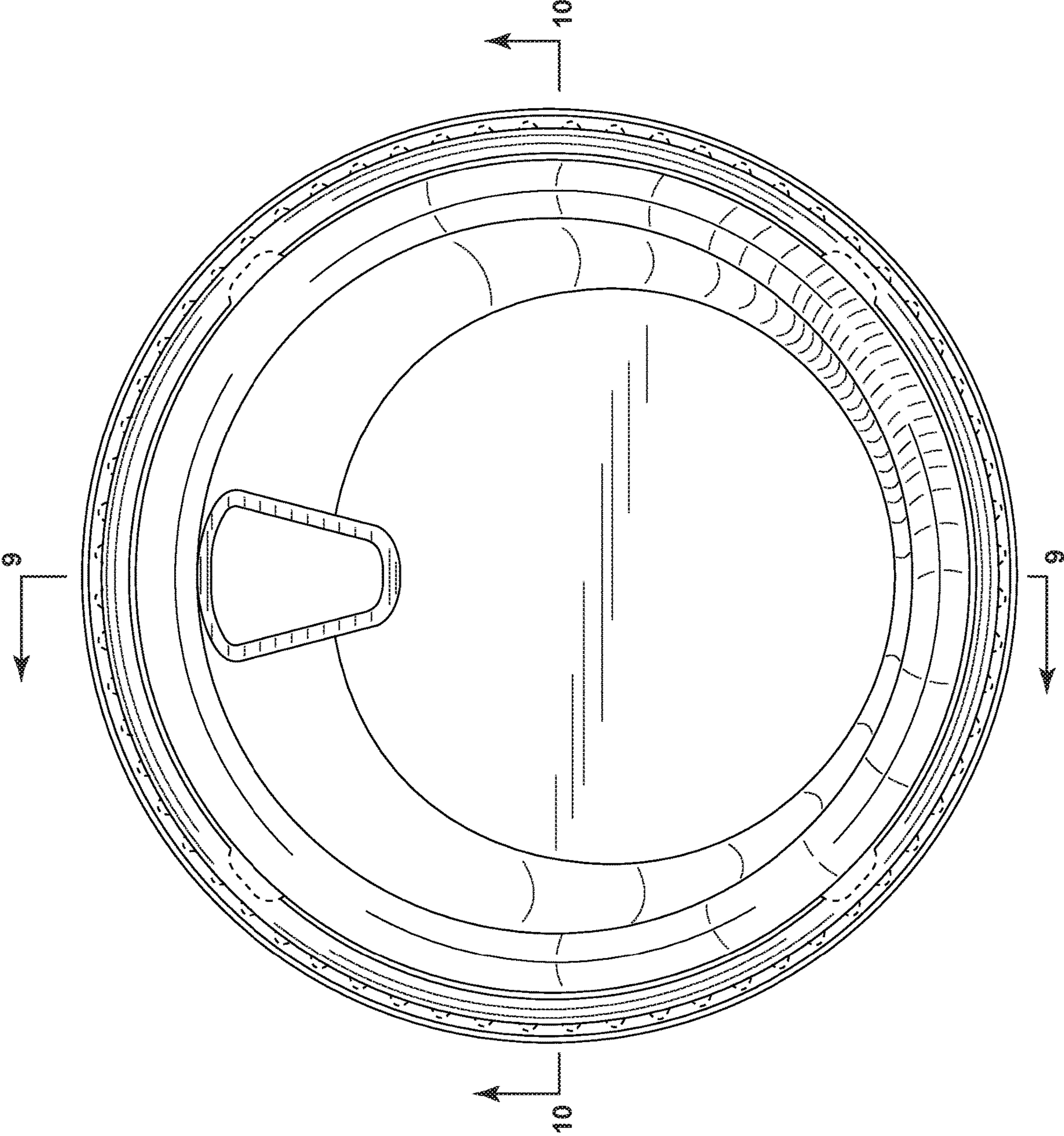


FIG. 3

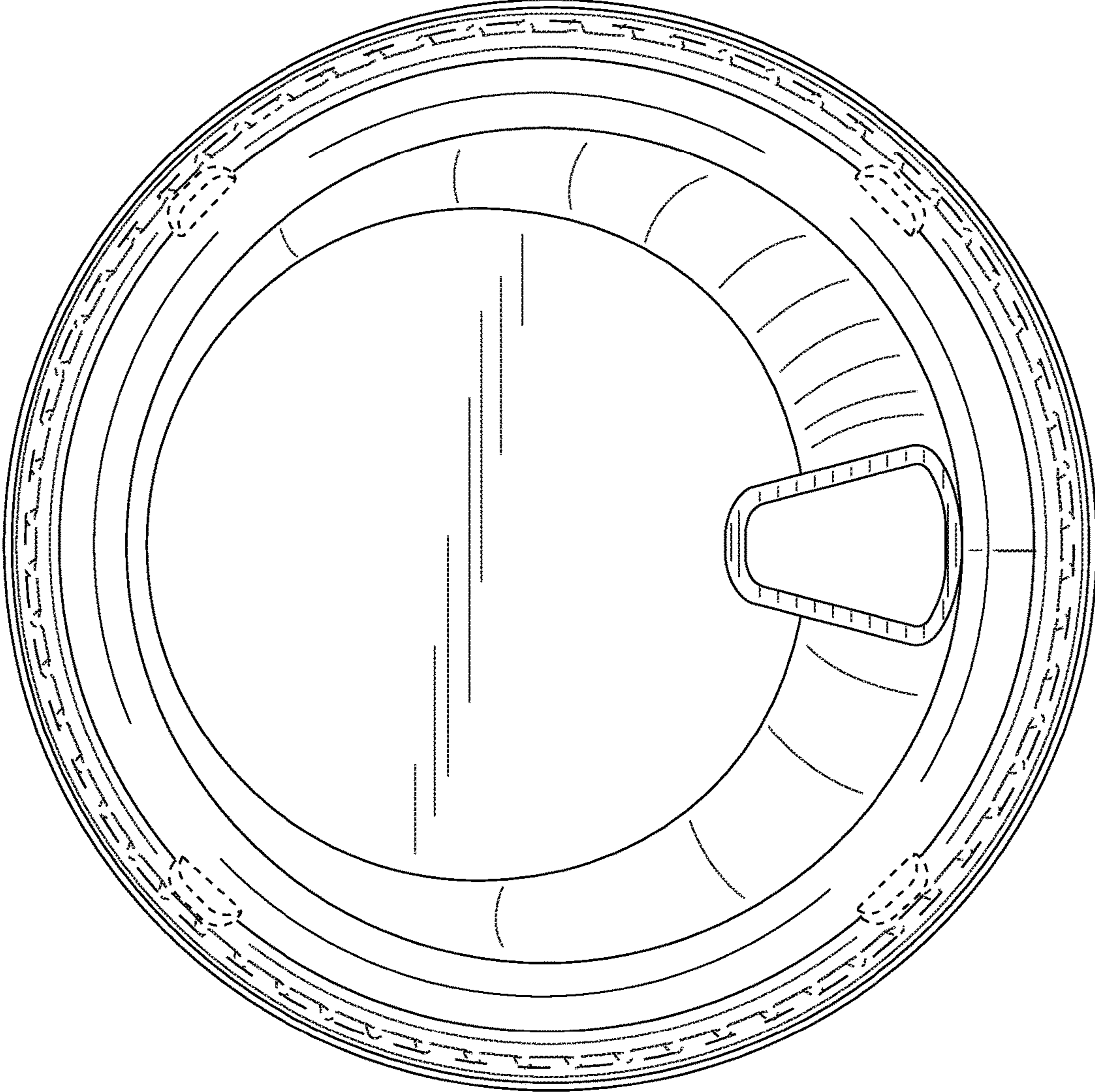


FIG. 4

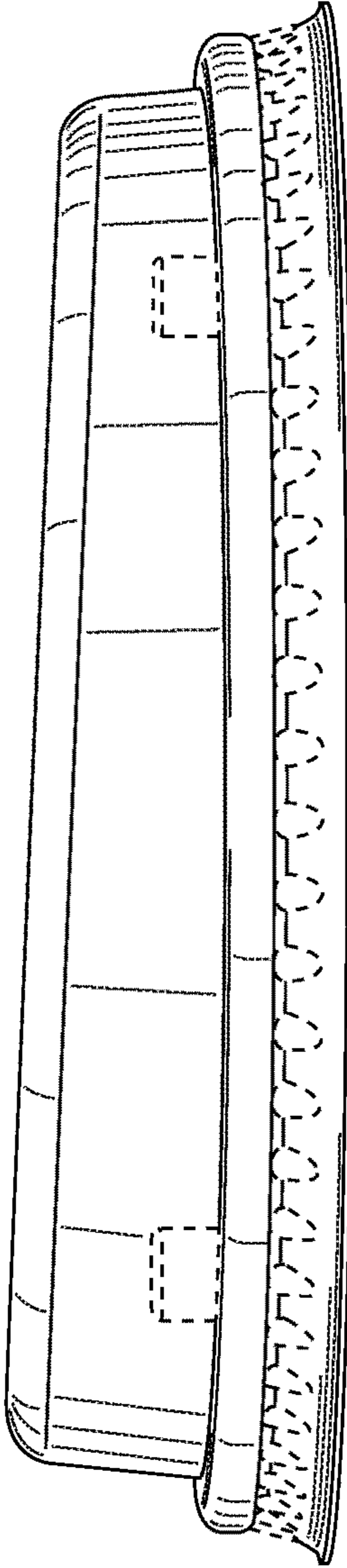


FIG. 5

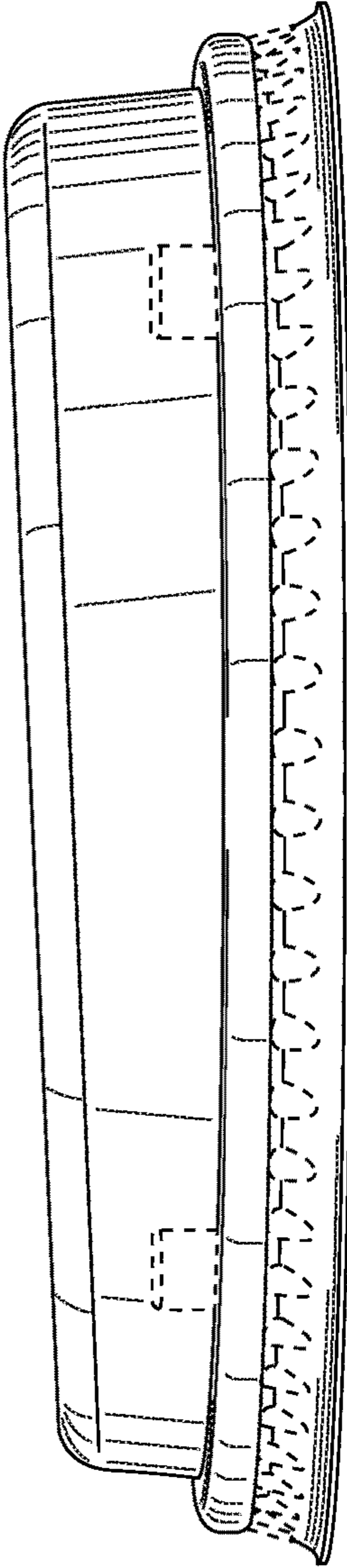


FIG. 6

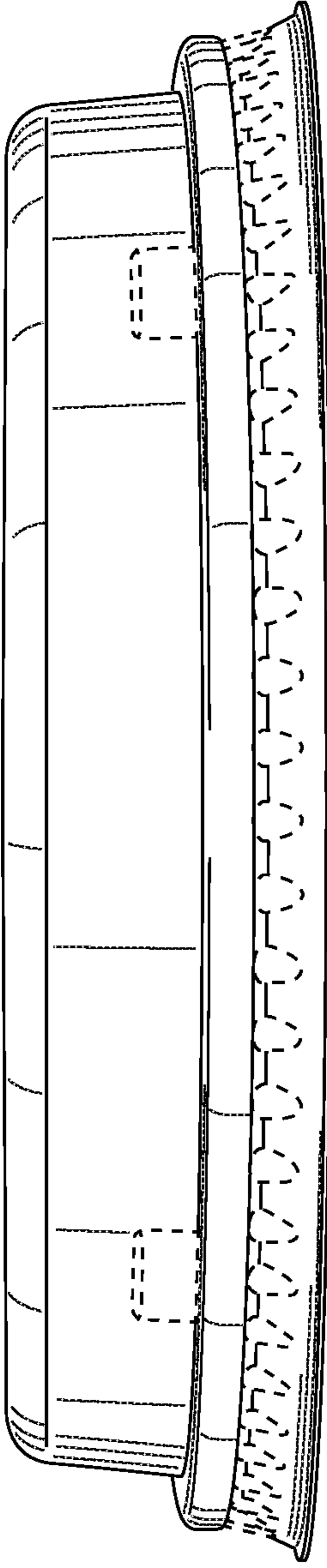


FIG. 7

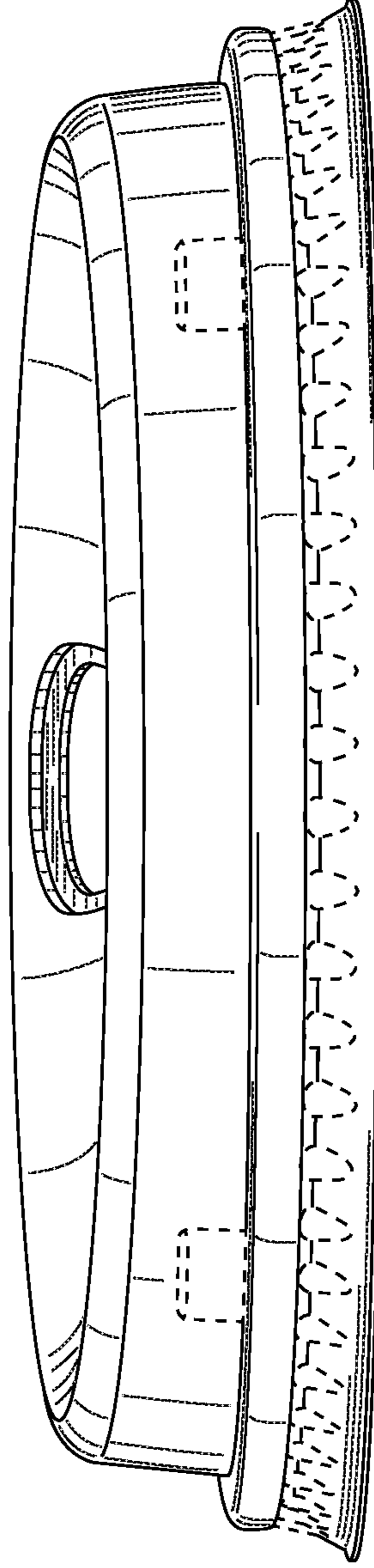


FIG. 8



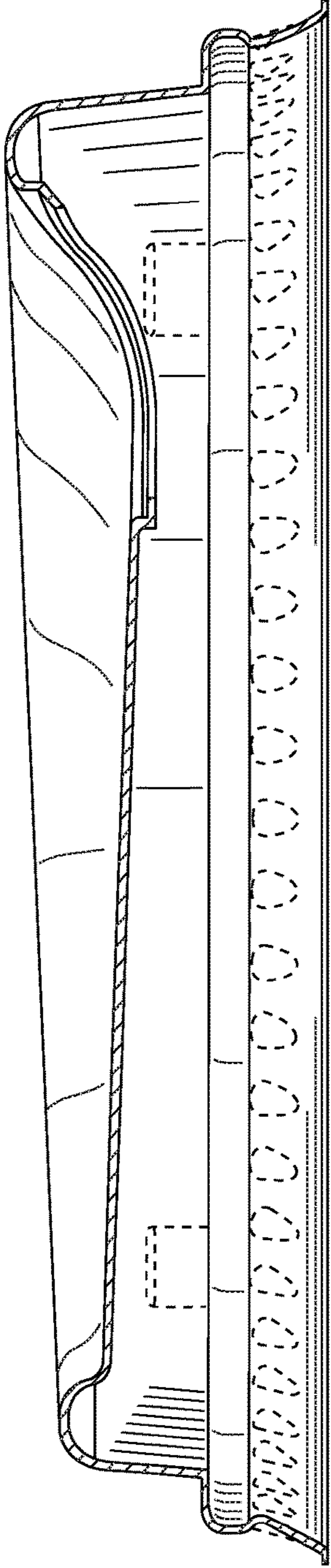


FIG. 9

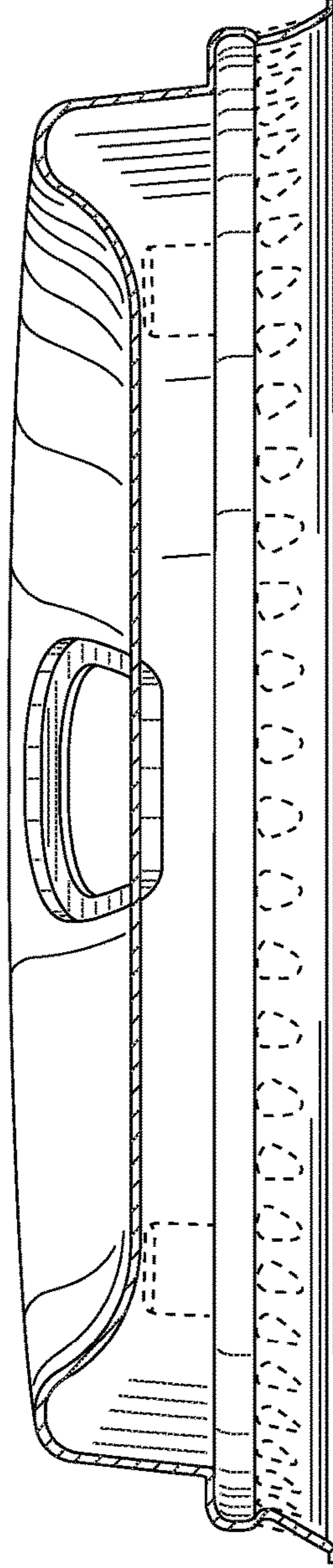


FIG. 10