



US00D890567S

(12) **United States Design Patent** (10) **Patent No.:** **US D890,567 S**
Kern (45) **Date of Patent:** **** Jul. 21, 2020**

(54) **HANDLE FOR BARWARE**

(71) Applicant: **Target Brands, Inc.**, Minneapolis, MN (US)

(72) Inventor: **Elizabeth Caroline Kern**, Minneapolis, MN (US)

(73) Assignee: **Target Brands, Inc.**, Minneapolis, MN (US)

(**) Term: **15 Years**

(21) Appl. No.: **29/716,297**

(22) Filed: **Dec. 9, 2019**

Related U.S. Application Data

(63) Continuation of application No. 29/631,074, filed on Dec. 27, 2017.

(51) **LOC (12) Cl.** **07-04**

(52) **U.S. Cl.**
USPC **D7/395**

(58) **Field of Classification Search**
USPC D7/680-696, 642-664, 393, 395, 401.2;
D8/107, 300, 301, 303, 307, 313, 321;
D4/129, 138

(Continued)

(56) **References Cited**

U.S. PATENT DOCUMENTS

D22,768 S 9/1893 Dungan
1,287,901 A 12/1918 Custer

(Continued)

Primary Examiner — Terry A Wallace

(74) *Attorney, Agent, or Firm* — Merchant & Gould P.C.

(57) **CLAIM**

The ornamental design for a handle for barware, as shown and described.

DESCRIPTION

FIG. 1 is a perspective view of a handle for barware showing an embodiment of a new design, the portion shown in broken lines forming no part of the claimed design;

FIG. 2 is a top view of the handle for barware of FIG. 1; FIG. 3 is a bottom view of the handle for barware of FIG. 1;

FIG. 4 is a front view of the handle for barware of FIG. 1; FIG. 5 is a rear view of the handle for barware of FIG. 1; FIG. 6 is a side view of the handle for barware of FIG. 1; FIG. 7 is a perspective view of an handle for barware showing another aspect of the embodiment of the new design, the portion shown in broken lines forming no part of the claimed design;

FIG. 8 is a top view of the handle for barware of FIG. 7; FIG. 9 is a bottom view of the handle for barware of FIG. 7;

FIG. 10 is a front view of the handle for barware of FIG. 7; FIG. 11 is a rear view of the handle for barware of FIG. 7; FIG. 12 is a side view of the handle for barware of FIG. 7; FIG. 13 is a perspective view of an handle for barware showing another aspect of the embodiment of the new design, the portion shown in broken lines forming no part of the claimed design;

FIG. 14 is a top view of the handle for barware of FIG. 13; FIG. 15 is a bottom view of the handle for barware of FIG. 13;

FIG. 16 is a front view of the handle for barware of FIG. 13; FIG. 17 is a rear view of the handle for barware of FIG. 13; and

FIG. 18 is a side view of the handle for barware of FIG. 13. FIG. 19 is a perspective view of an handle for barware showing another aspect of the embodiment of the new design, the portion shown in broken lines forming no part of the claimed design;

FIG. 20 is a top view of the handle for barware of FIG. 19; FIG. 21 is a bottom view of the handle for barware of FIG. 19;

FIG. 22 is a front view of the handle for barware of FIG. 19; FIG. 23 is a rear view of the handle for barware of FIG. 19; and

FIG. 24 is a side view of the handle for barware of FIG. 19. FIG. 25 is a perspective view of an handle for barware showing another aspect of the embodiment of the new design, the portion shown in broken lines forming no part of the claimed design;

FIG. 26 is a top view of the handle for barware of FIG. 25;

(Continued)

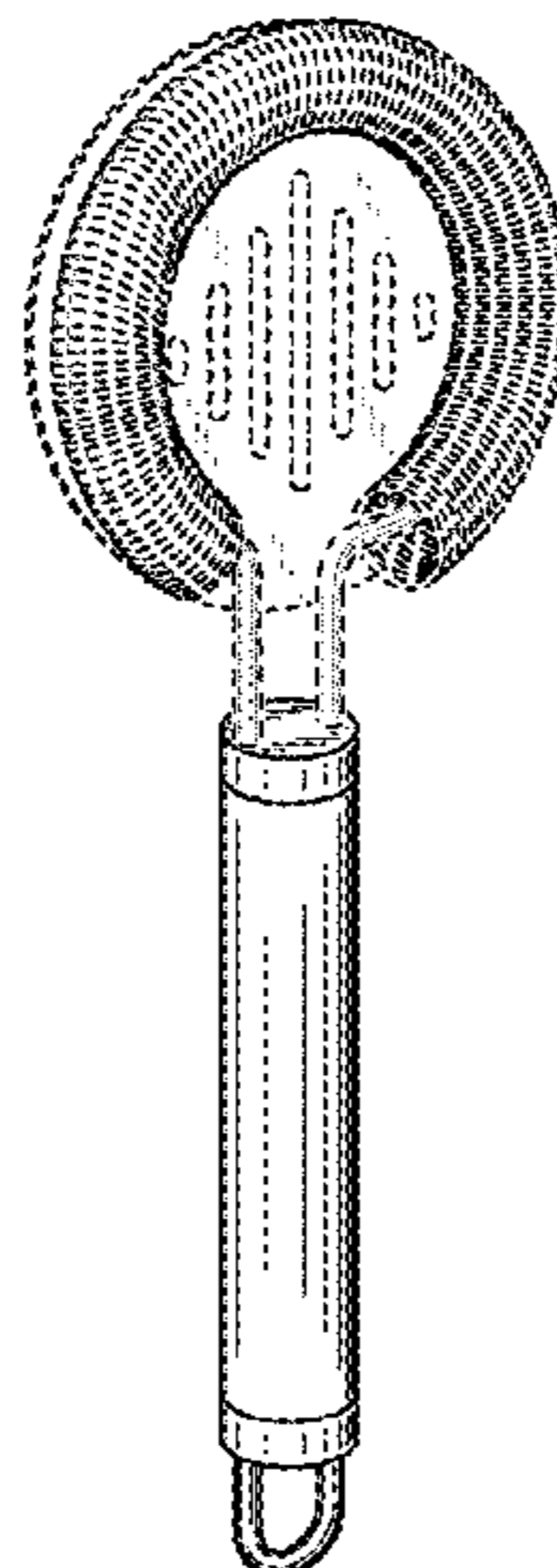


FIG. 27 is a bottom view of the handle for barware of FIG. 25;
 FIG. 28 is a front view of the handle for barware of FIG. 25;
 FIG. 29 is a rear view of the handle for barware of FIG. 25;
 and,
 FIG. 30 is a side view of the handle for barware of FIG. 25.

1 Claim, 9 Drawing Sheets

(58) **Field of Classification Search**

CPC A47J 45/06; A47J 45/061; A47J 45/07;
 A47J 45/071; A47J 45/08; A47J 45/10;
 A47J 45/62; A47J 45/072; A47J 45/085;
 A47J 17/02; A45C 13/26; A45C 13/22;
 A01F 5/00

See application file for complete search history.

(56) **References Cited**

U.S. PATENT DOCUMENTS

D54,303 S 12/1919 Berger
 D120,610 S 3/1940 Berge
 D156,879 S 1/1950 Grundstrom
 D210,318 S 2/1968 Wallance
 3,804,450 A 4/1974 Guenzel
 D307,694 S 5/1990 Billie
 5,095,573 A 3/1992 Henke
 D379,746 S 6/1997 Savicki
 D380,345 S 7/1997 Lu
 D403,204 S 12/1998 Kwok
 D408,219 S 4/1999 Lai
 D410,362 S 6/1999 Lai
 D411,410 S 6/1999 Pedrini
 D416,439 S 11/1999 Kwok
 D419,400 S 1/2000 Martinez
 D422,191 S 4/2000 Jsbeck
 D424,869 S 5/2000 Chau
 D431,753 S 10/2000 Cohen

D433,873 S 11/2000 Yu
 6,234,662 B1 5/2001 Blake
 D445,316 S * 7/2001 Borner D7/690
 D447,385 S 9/2001 Saunders
 D455,606 S 4/2002 Lee
 D458,802 S 4/2002 Richied
 D459,148 S 6/2002 Richied
 D459,149 S 6/2002 Richied
 D459,161 S 6/2002 Rowe
 D459,943 S 7/2002 Richied
 D460,318 S 7/2002 Richied
 D464,528 S 10/2002 Yu
 D468,156 S 1/2003 Yu
 D468,220 S 1/2003 Harris
 D477,498 S 7/2003 Rowe
 D483,626 S 12/2003 Jeffries
 D490,270 S 5/2004 Pippel et al.
 D492,165 S * 6/2004 Cheung D7/690
 D496,217 S 9/2004 Sun
 D503,071 S 3/2005 Lu
 6,866,511 B1 3/2005 Harris et al.
 D504,797 S 5/2005 Lu
 D527,959 S * 9/2006 Fung D7/690
 D561,526 S 2/2008 Bunting et al.
 D593,794 S 6/2009 Rae
 D624,264 S 9/2010 Li
 7,827,696 B2 * 11/2010 Settele A47J 17/02
 30/121.5
 D630,888 S 1/2011 Bodum
 D632,142 S 2/2011 Lu
 D650,219 S * 12/2011 Lu D7/401.2
 D663,159 S 1/2012 Zemel
 D659,558 S 5/2012 Johnson et al.
 8,631,722 B1 1/2014 Davis
 D699,070 S 2/2014 Rae
 D727,701 S 4/2015 Goldy et al.
 D734,104 S 7/2015 Lee et al.
 D736,043 S 8/2015 Lee et al.
 D795,638 S 8/2017 Barberi
 D803,014 S 11/2017 Boehm
 2013/0160213 A1 6/2013 Salles

* cited by examiner

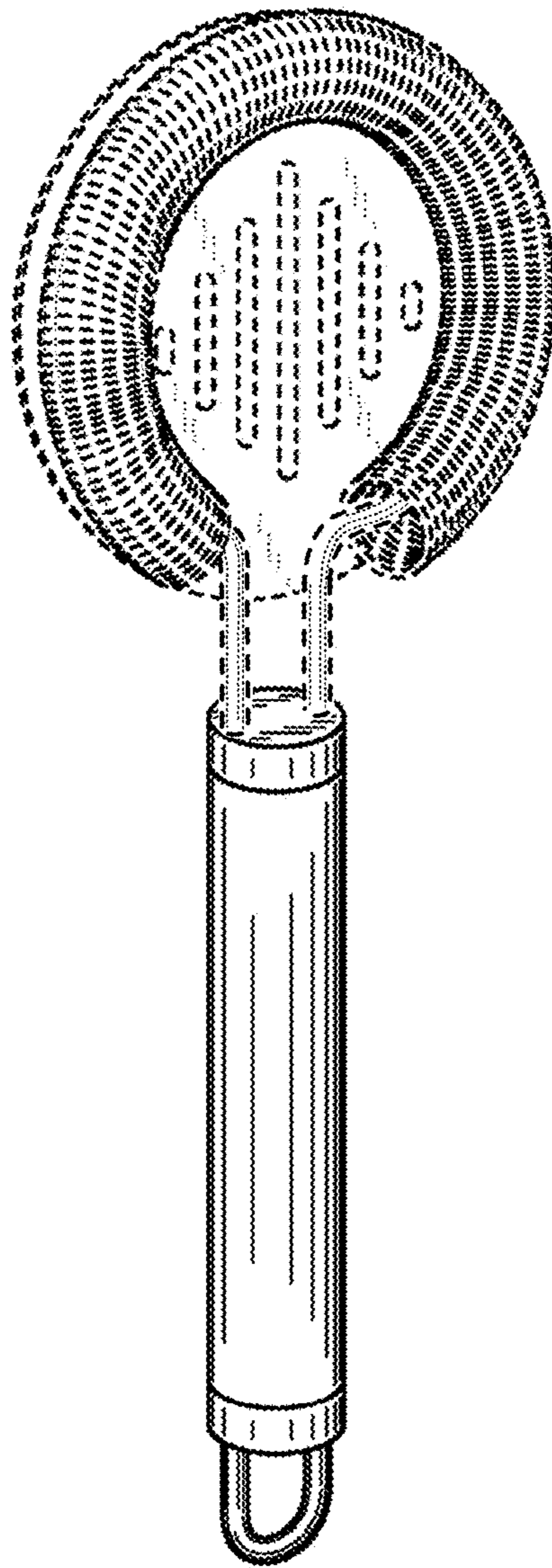


Fig. 1

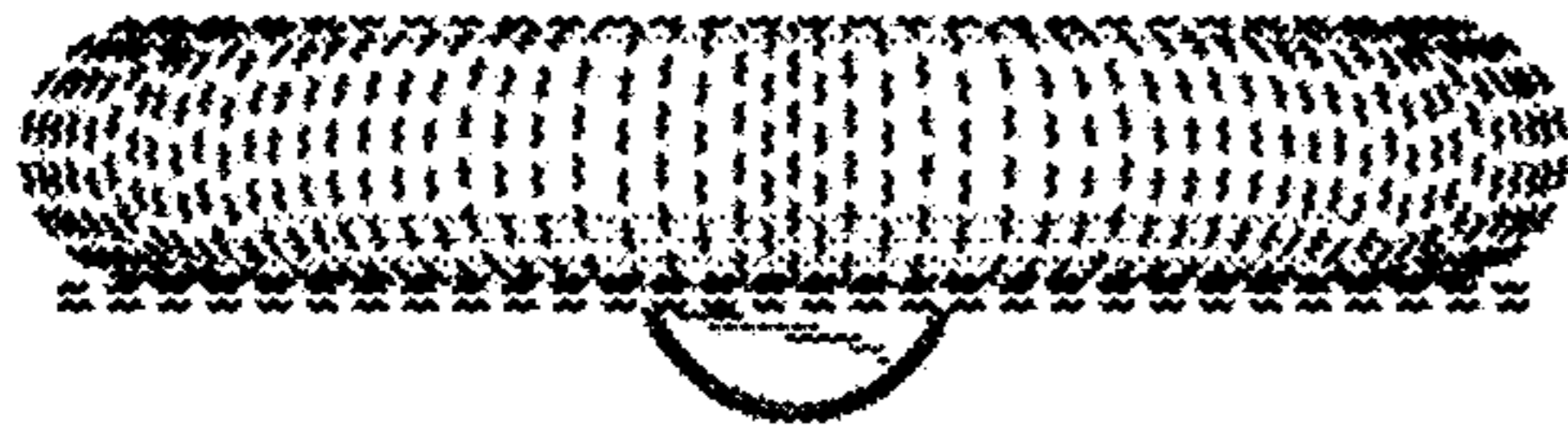


Fig. 2



Fig. 3

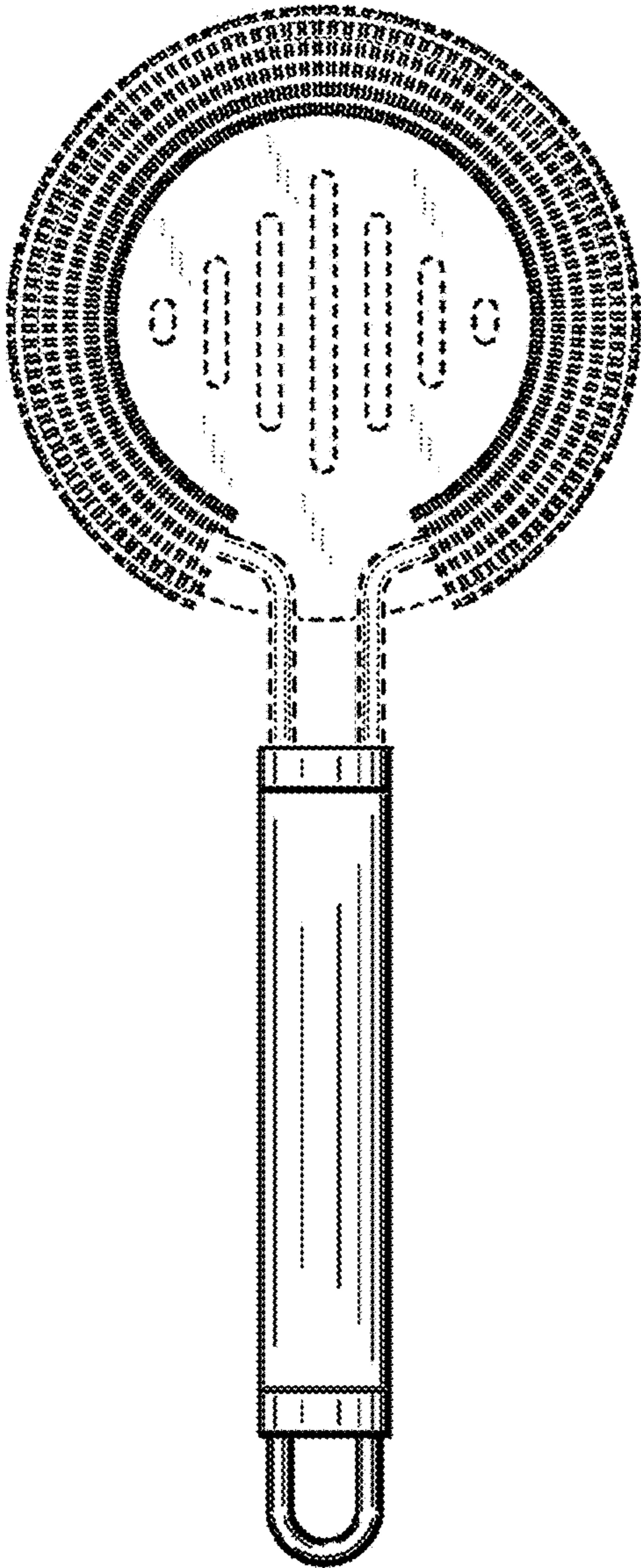


Fig. 4

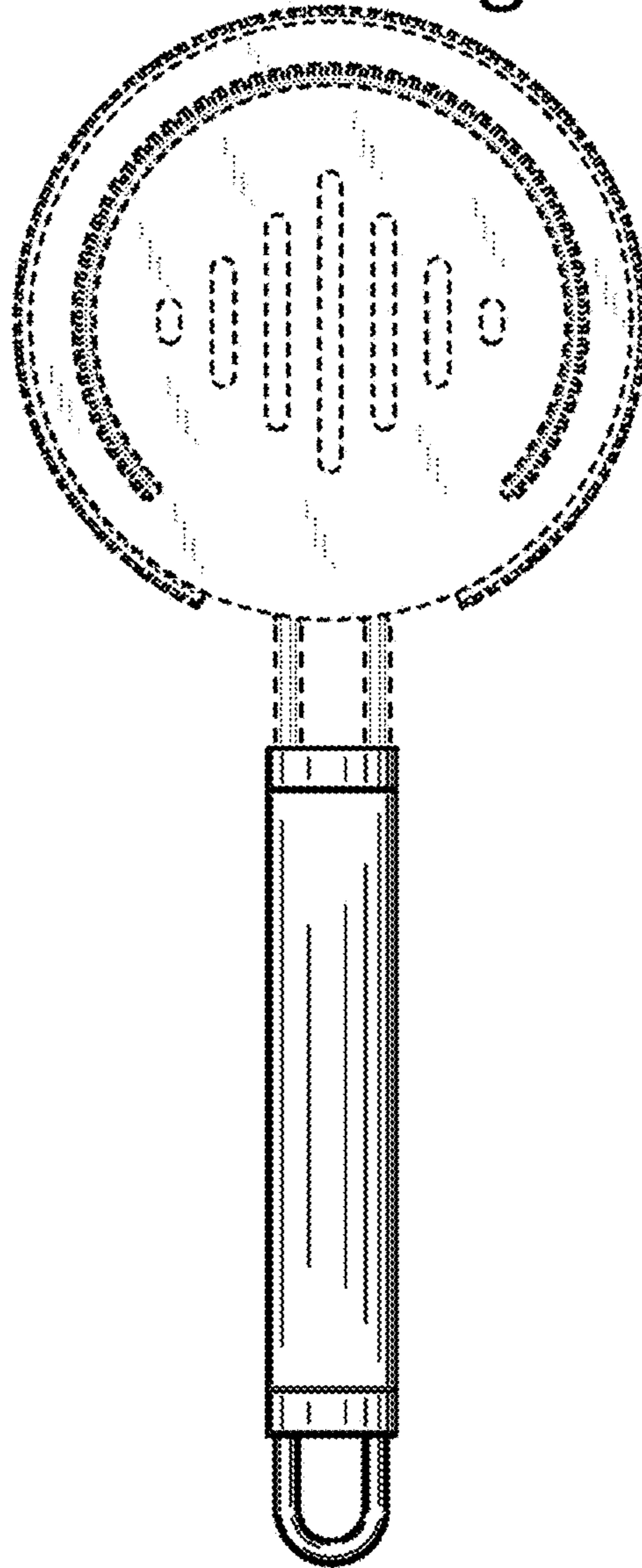


Fig. 5

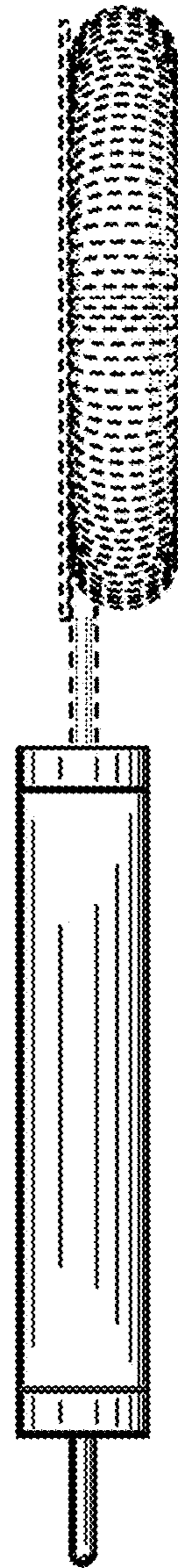


Fig. 6

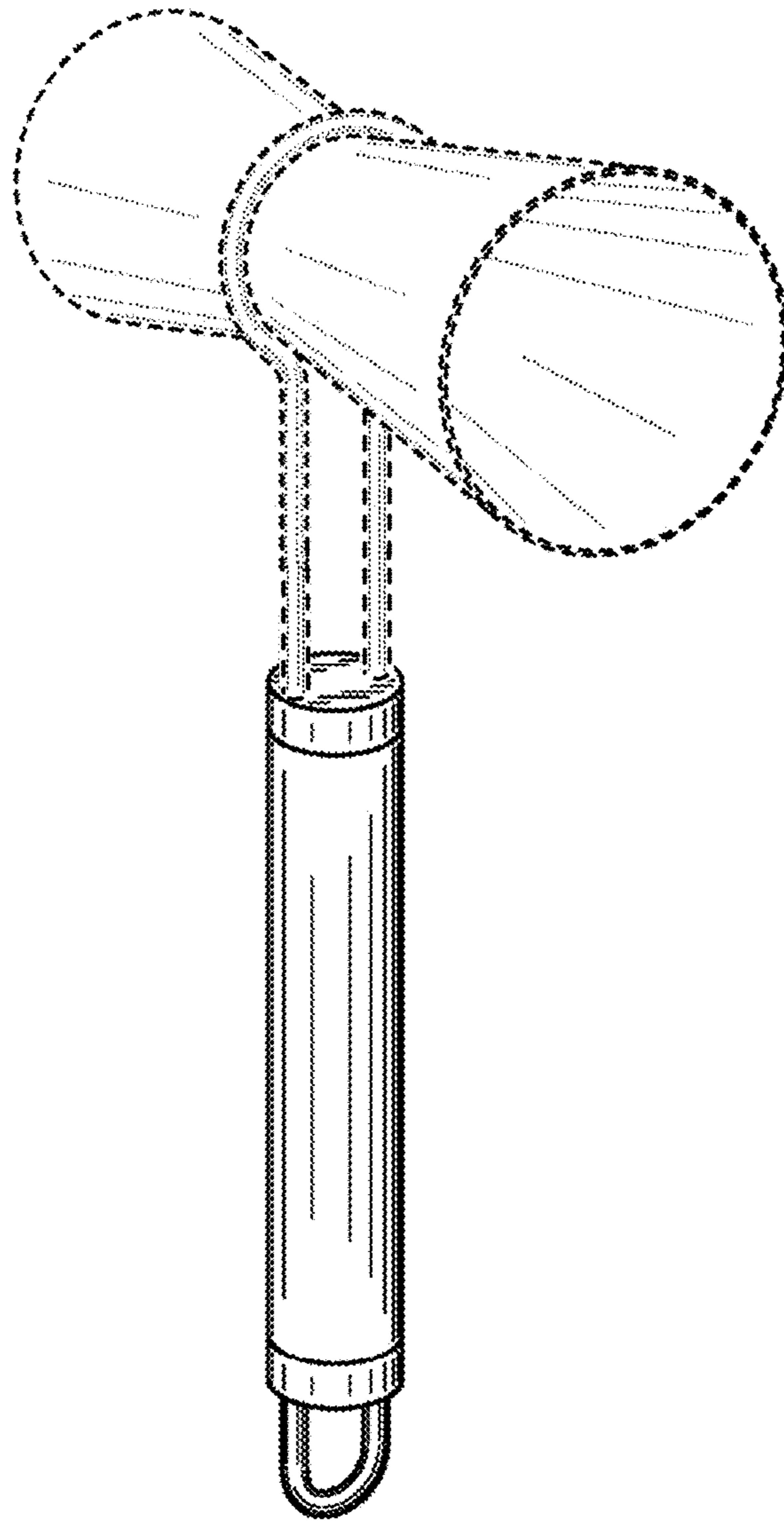


Fig. 7

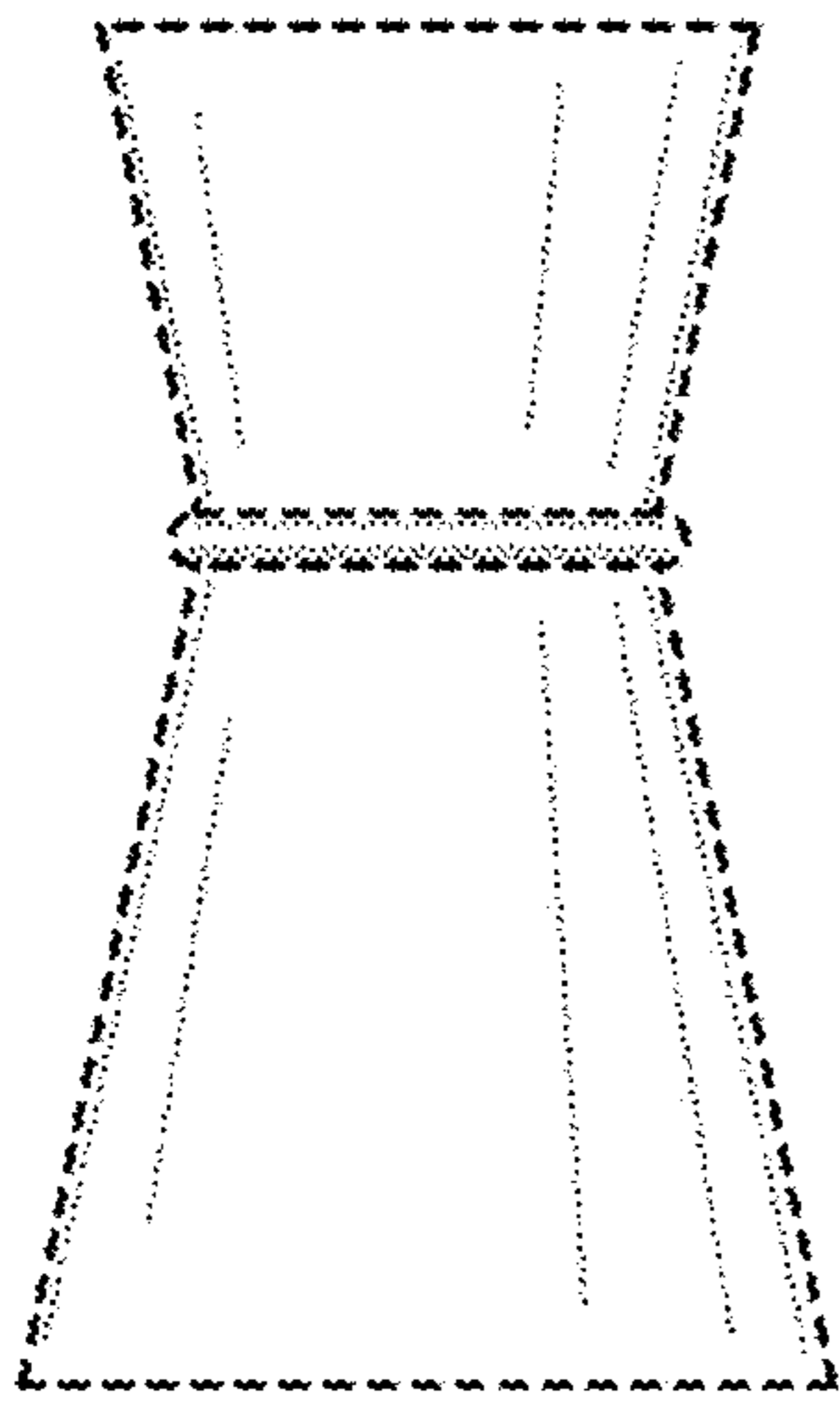


Fig. 8

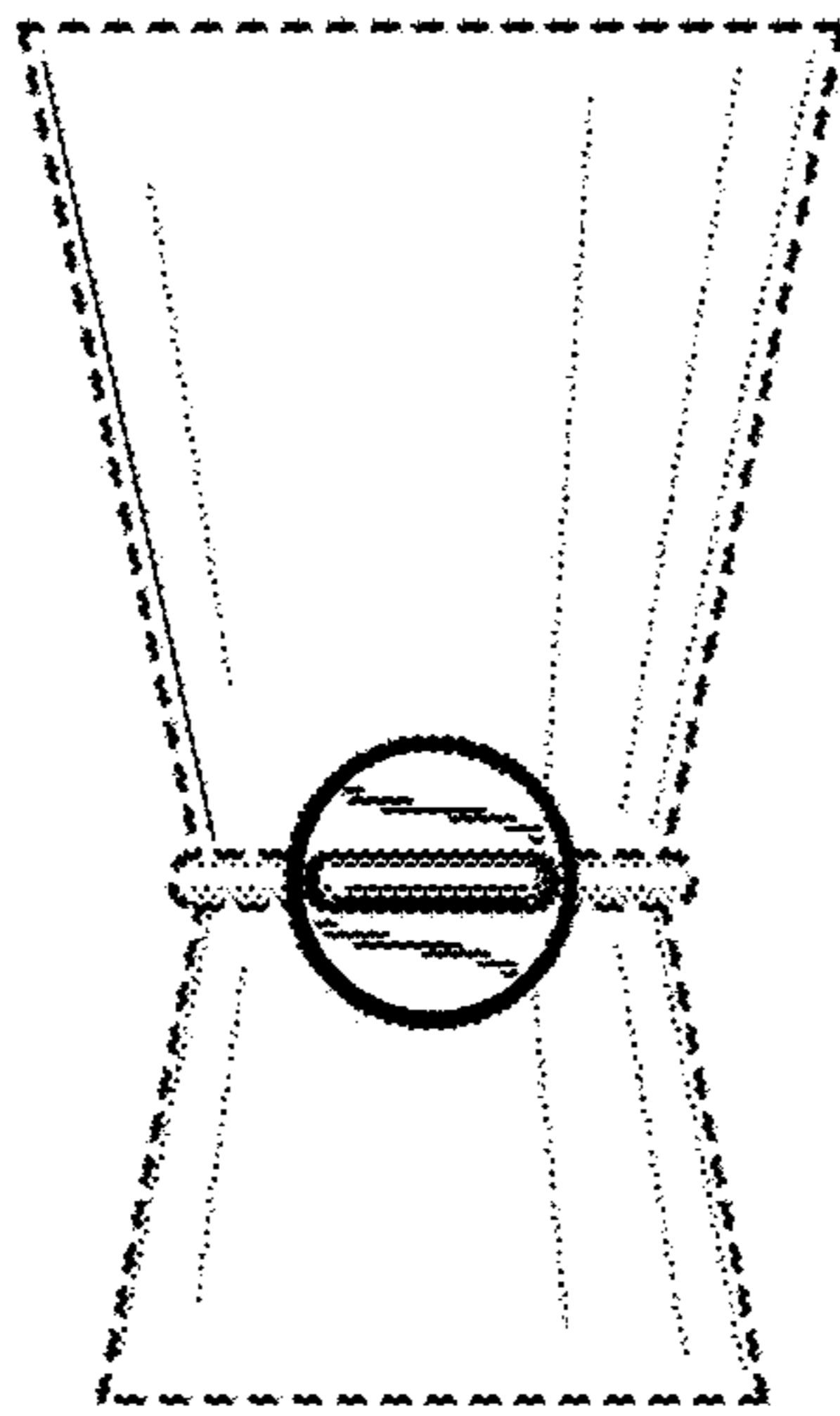


Fig. 9

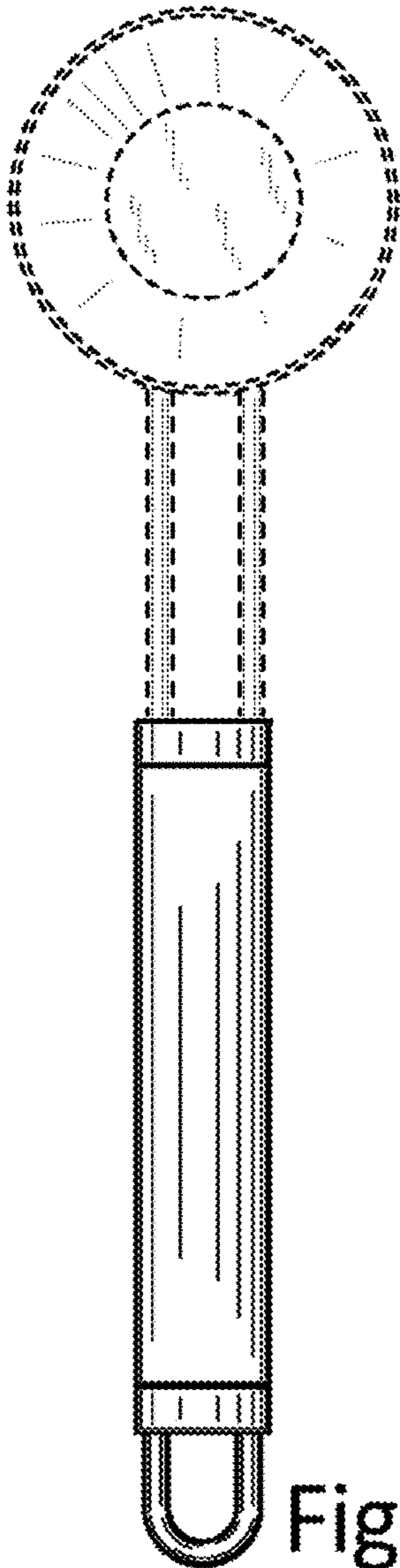
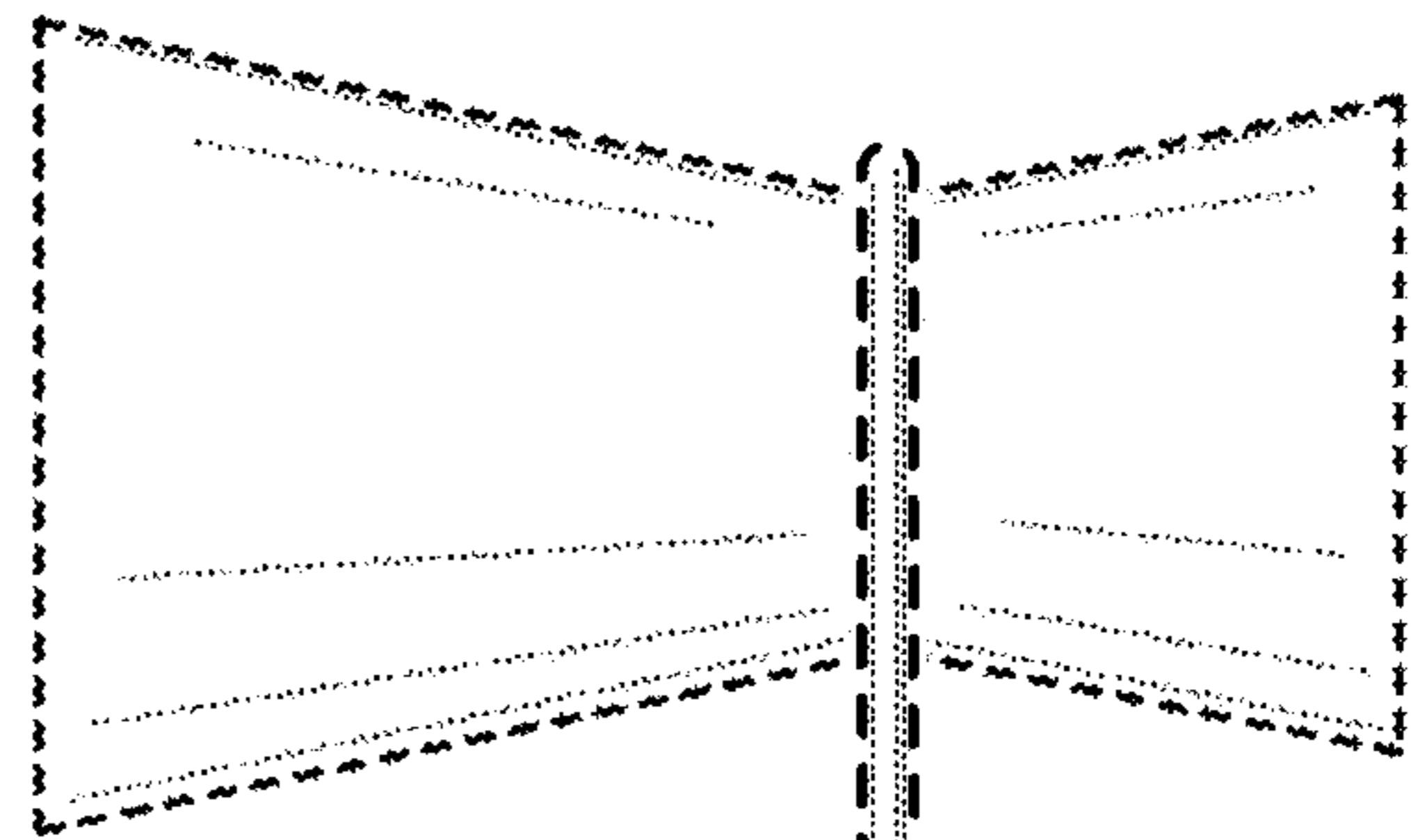


Fig. 10

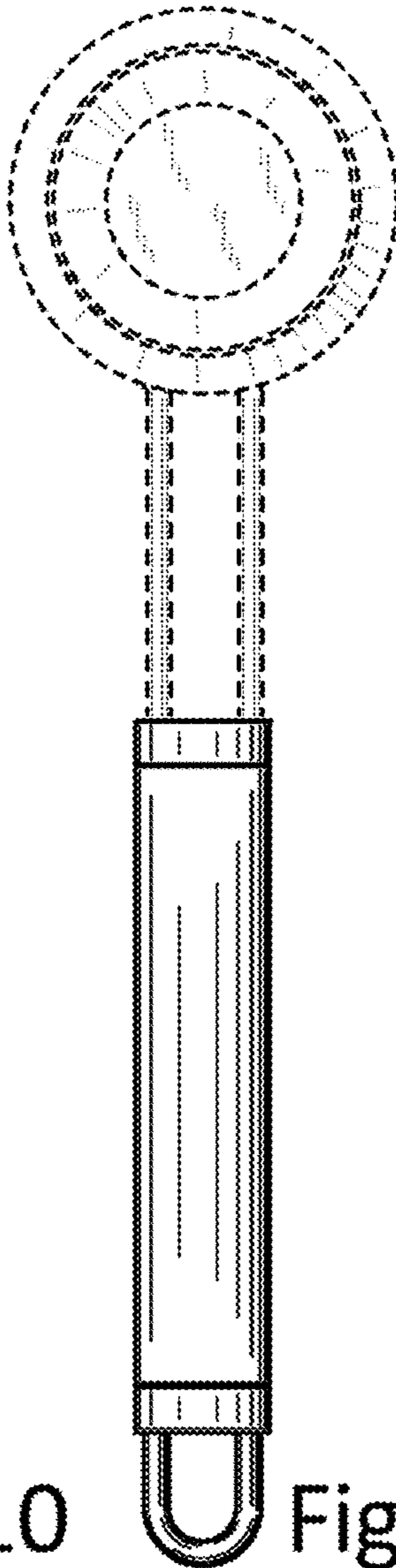


Fig. 11

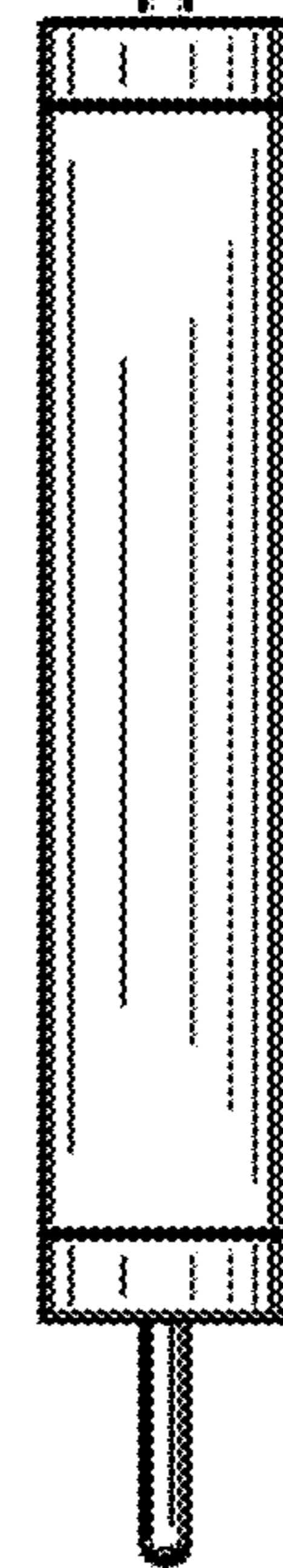


Fig. 12

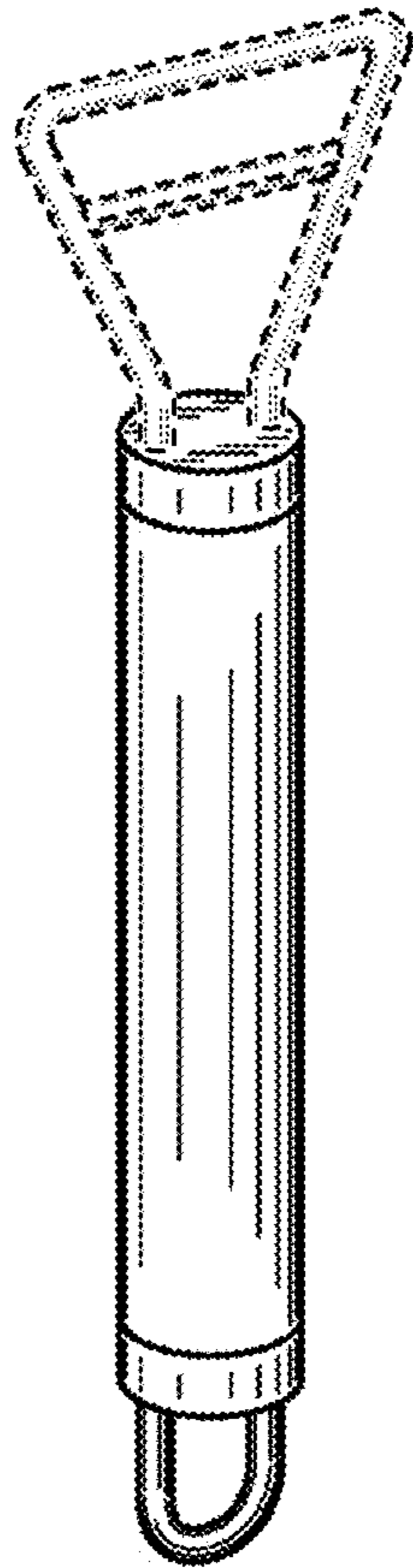


Fig. 13



Fig. 14

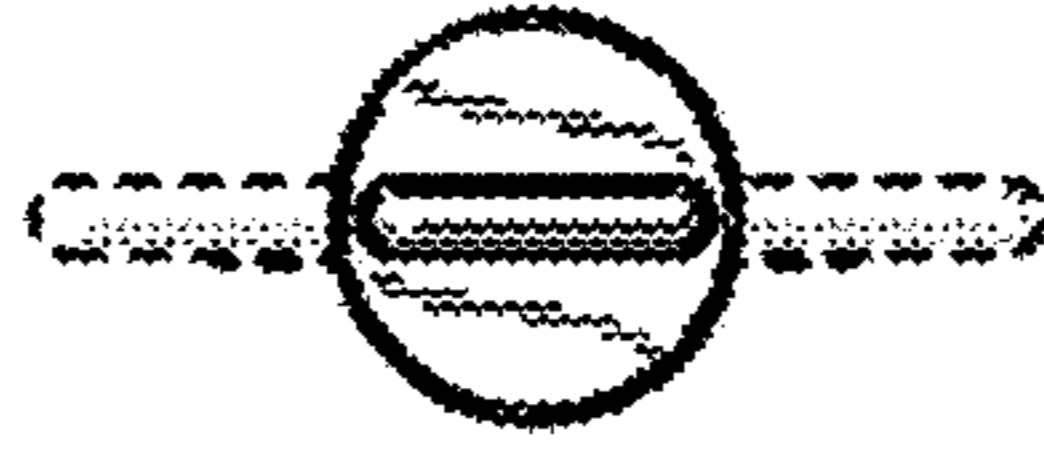


Fig. 15

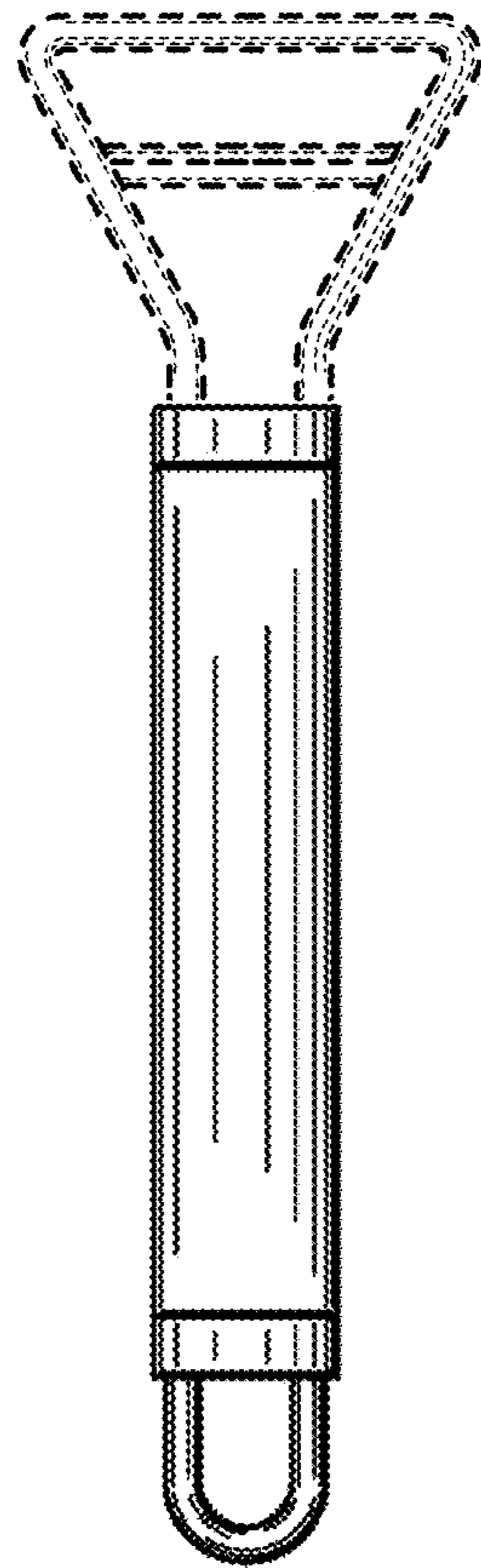


Fig. 16

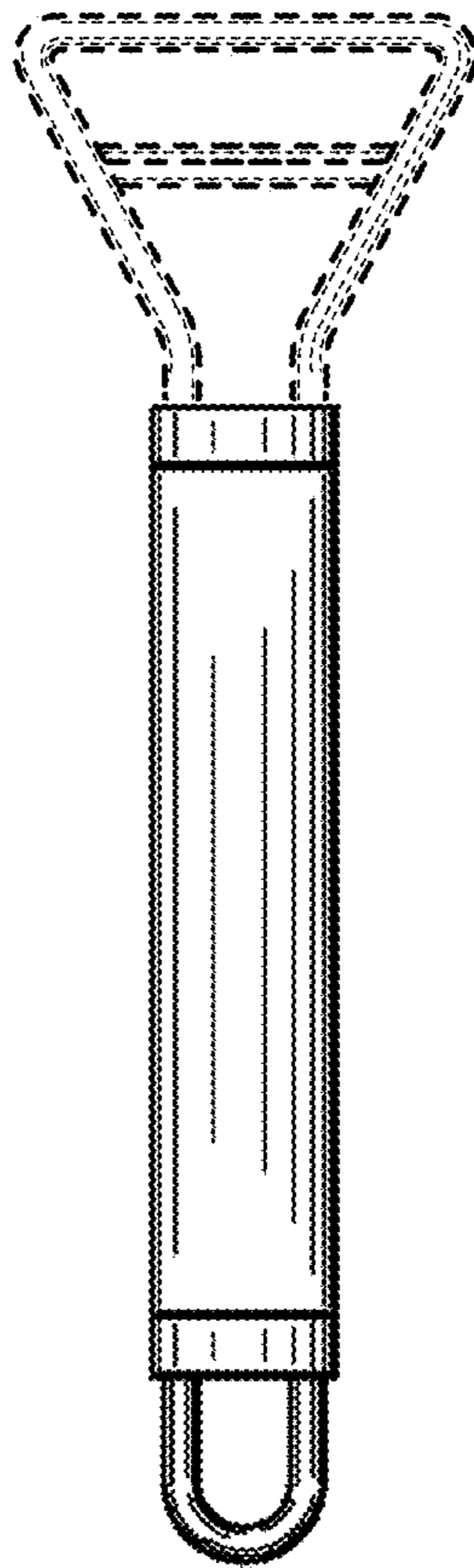


Fig. 17

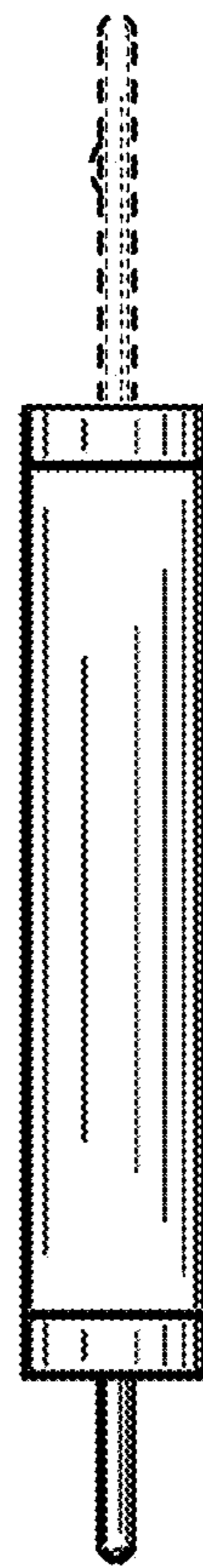


Fig. 18

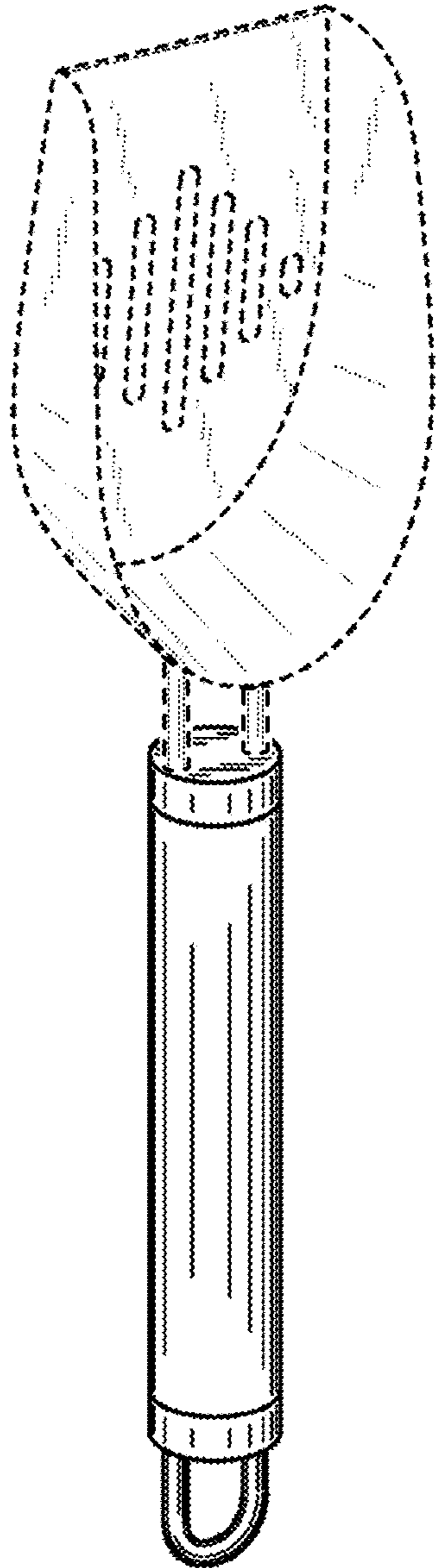


Fig. 19

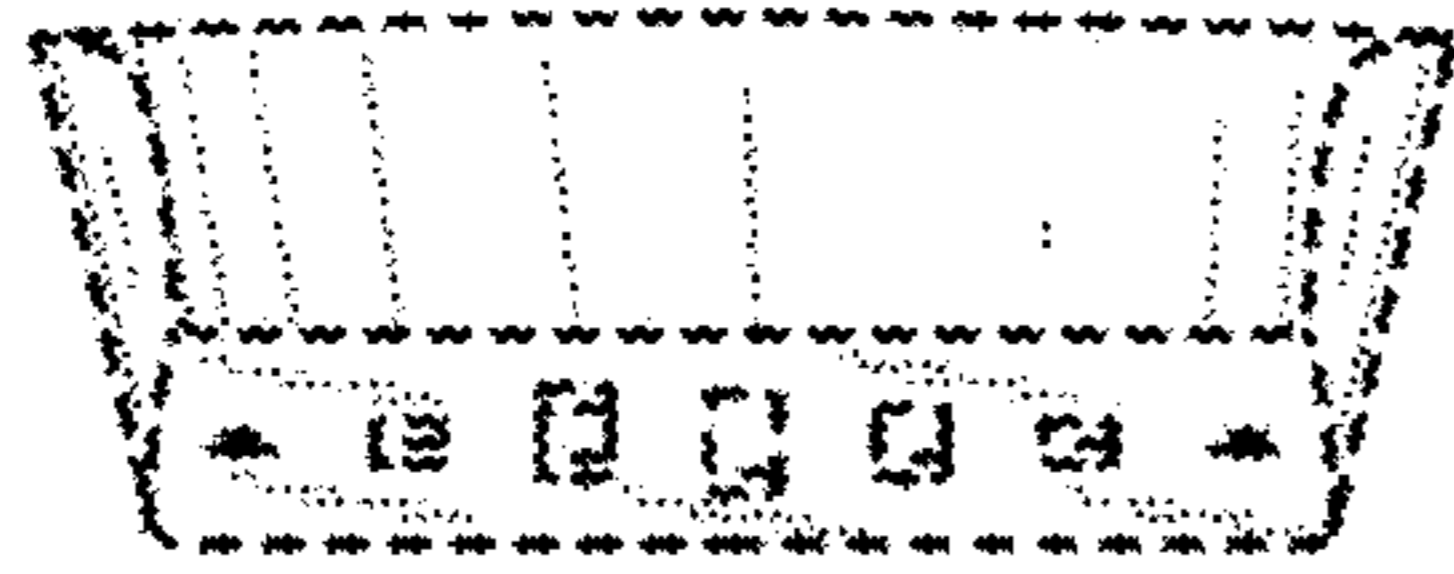


Fig. 20

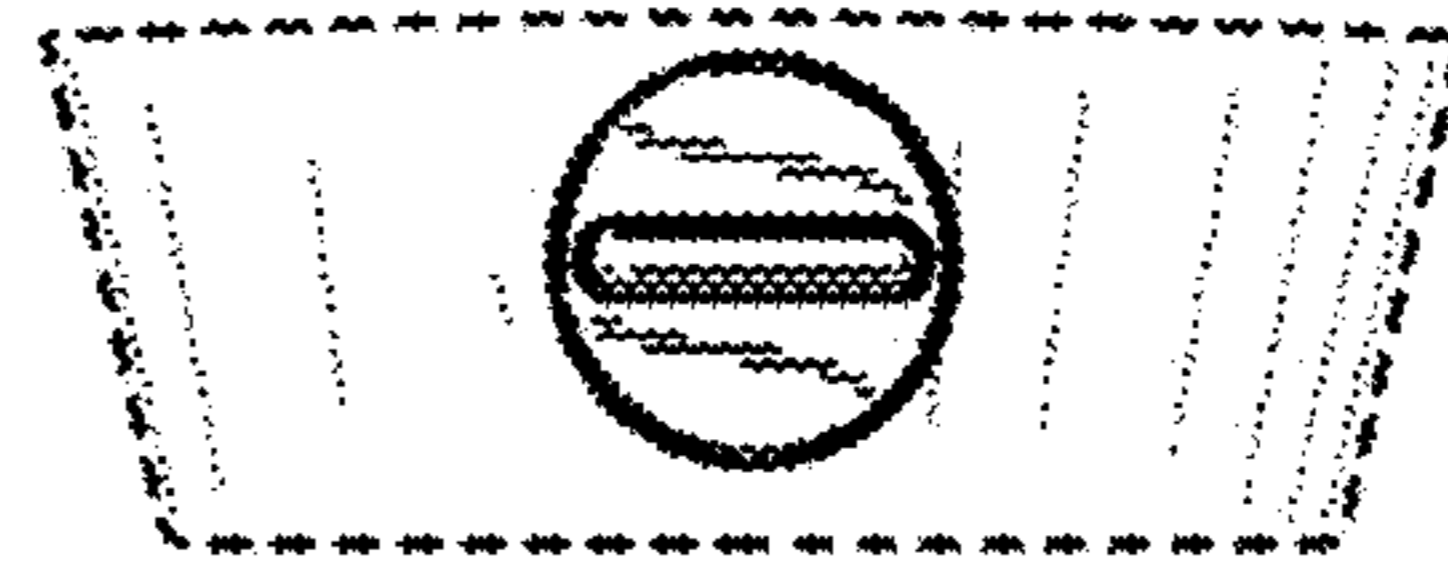


Fig. 21

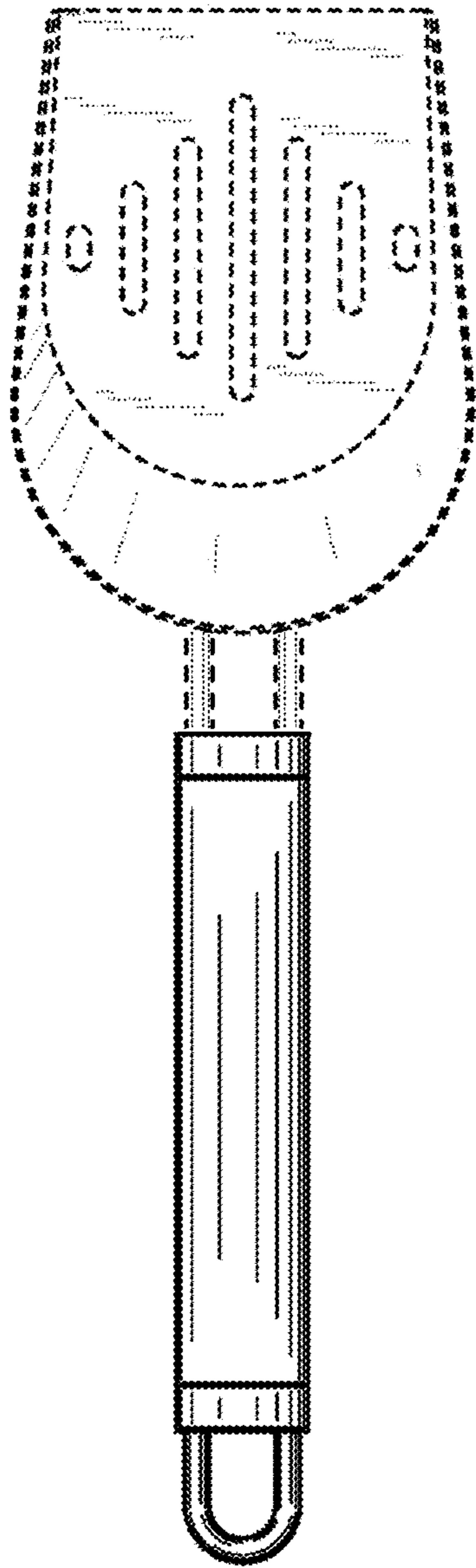


Fig. 22

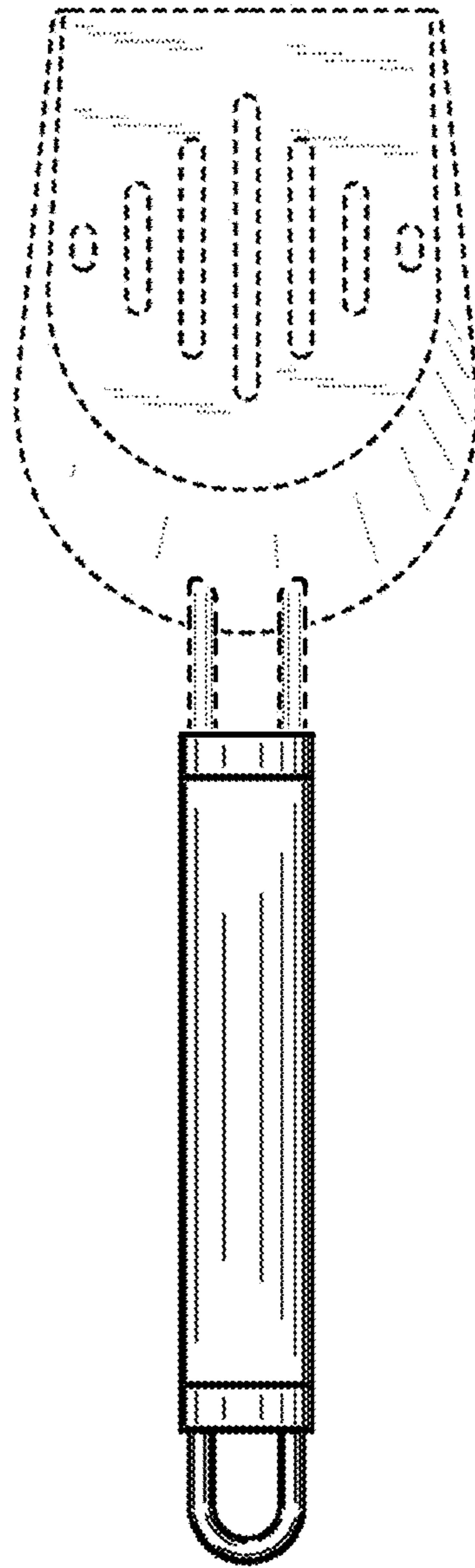


Fig. 23

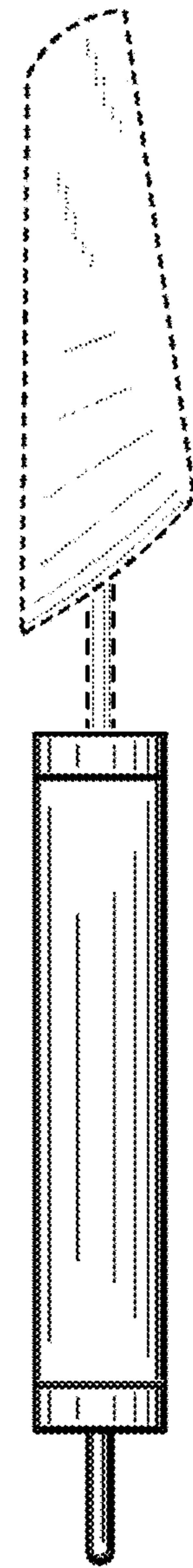


Fig. 24

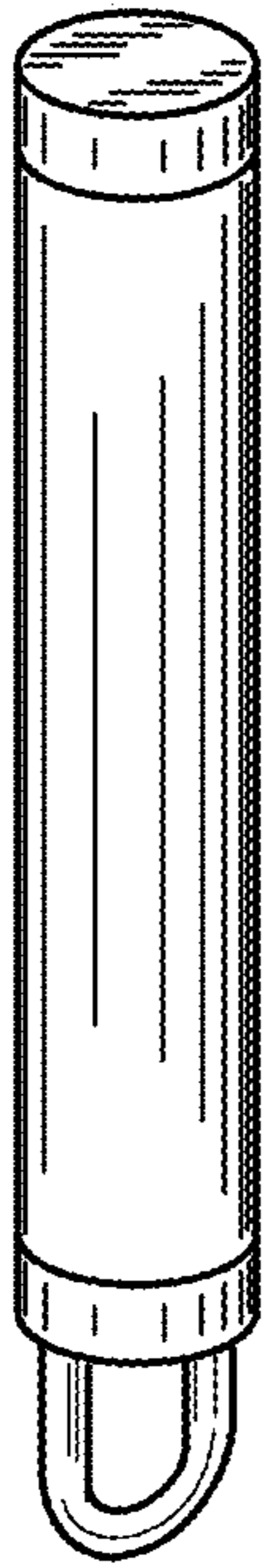


Fig. 25

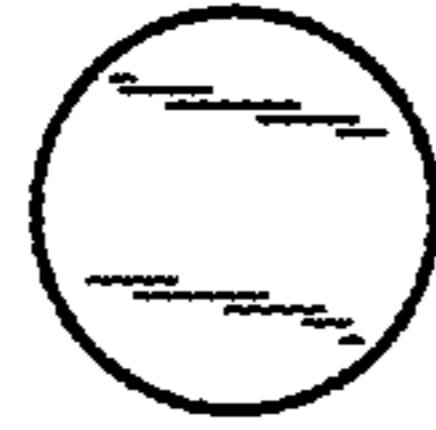


Fig. 26

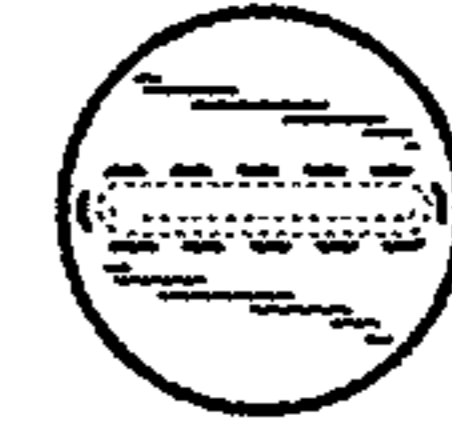


Fig. 27

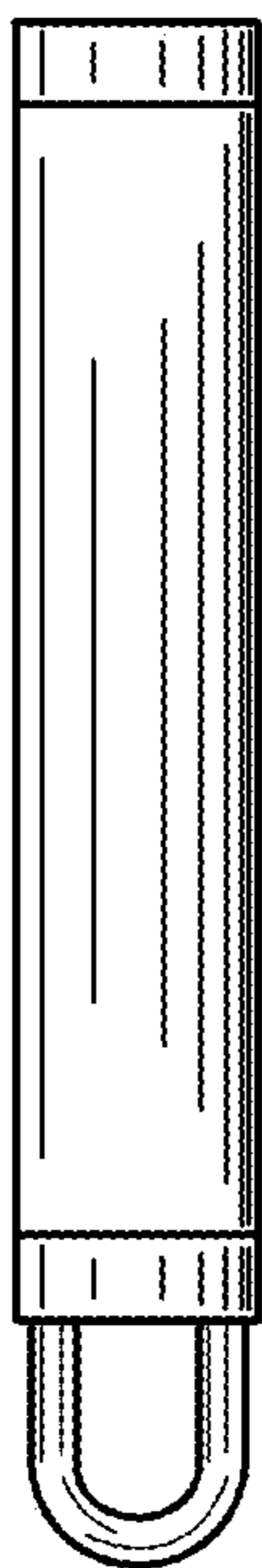


Fig. 28

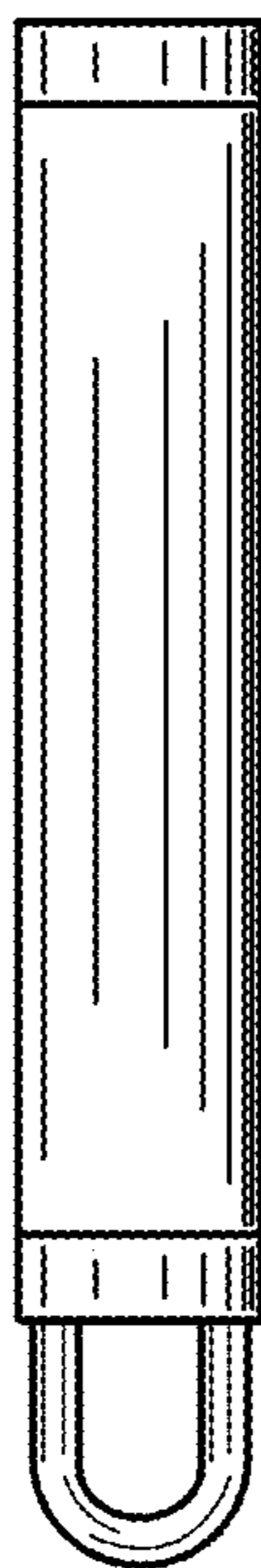


Fig. 29

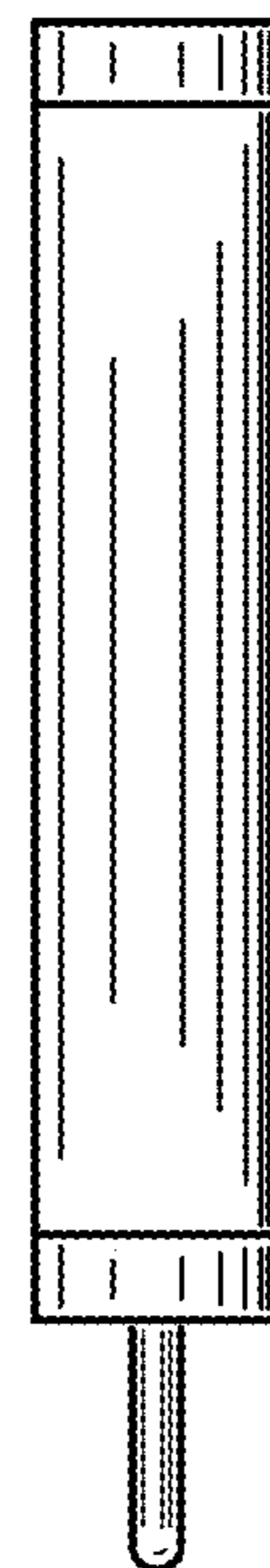


Fig. 30