

US00D890566S

(12) **United States Design Patent**
Barberi

(10) **Patent No.:** **US D890,566 S**
(45) **Date of Patent:** **** Jul. 21, 2020**

- (54) **COOKWARE SIDE HANDLE**
- (71) Applicant: **MEYER INTELLETUAL PROPERTIES LIMITED**
- (72) Inventor: **Philip D. Barberi**, San Ramon, CA (US)
- (73) Assignee: **MEYER INTELLECTUAL PROPERTIES LIMITED**, Hong Kong (CN)

(**) Term: **15 Years**

(21) Appl. No.: **29/689,606**

(22) Filed: **Apr. 30, 2019**

(51) **LOC (12) Cl.** **07-02**

(52) **U.S. Cl.**
USPC **D7/394**

(58) **Field of Classification Search**
USPC D7/354-361, 393-395, 401.2, 664;
D8/107, 300, 303, 307, 313, 321
CPC A47J 45/06; A47J 45/061; A47J 45/62;
A47J 45/071; A47J 45/072; A47J 45/08;
A47J 45/085
See application file for complete search history.

(56) **References Cited**

U.S. PATENT DOCUMENTS

- D615,351 S * 5/2010 Pantaleo D7/394
- D630,052 S * 1/2011 Rae D7/394
- D642,017 S * 7/2011 McEldowney D7/394

- D657,995 S * 4/2012 Rae D7/394
- D657,998 S * 4/2012 Rae D7/394
- D658,435 S * 5/2012 Rae D7/394
- D663,996 S * 7/2012 Lee D7/394
- D696,901 S * 1/2014 Rae D7/394
- D704,000 S * 5/2014 Clabots D7/394
- D704,992 S * 5/2014 Rae D7/394
- D713,198 S * 9/2014 Rae D7/394
- D713,675 S * 9/2014 Rae D7/394
- D728,996 S * 5/2015 Barberi D7/394
- D812,967 S * 3/2018 Narvaez Lopez D7/394

* cited by examiner

Primary Examiner — Cynthia M. Chin

(74) *Attorney, Agent, or Firm* — Edward S. Sherman

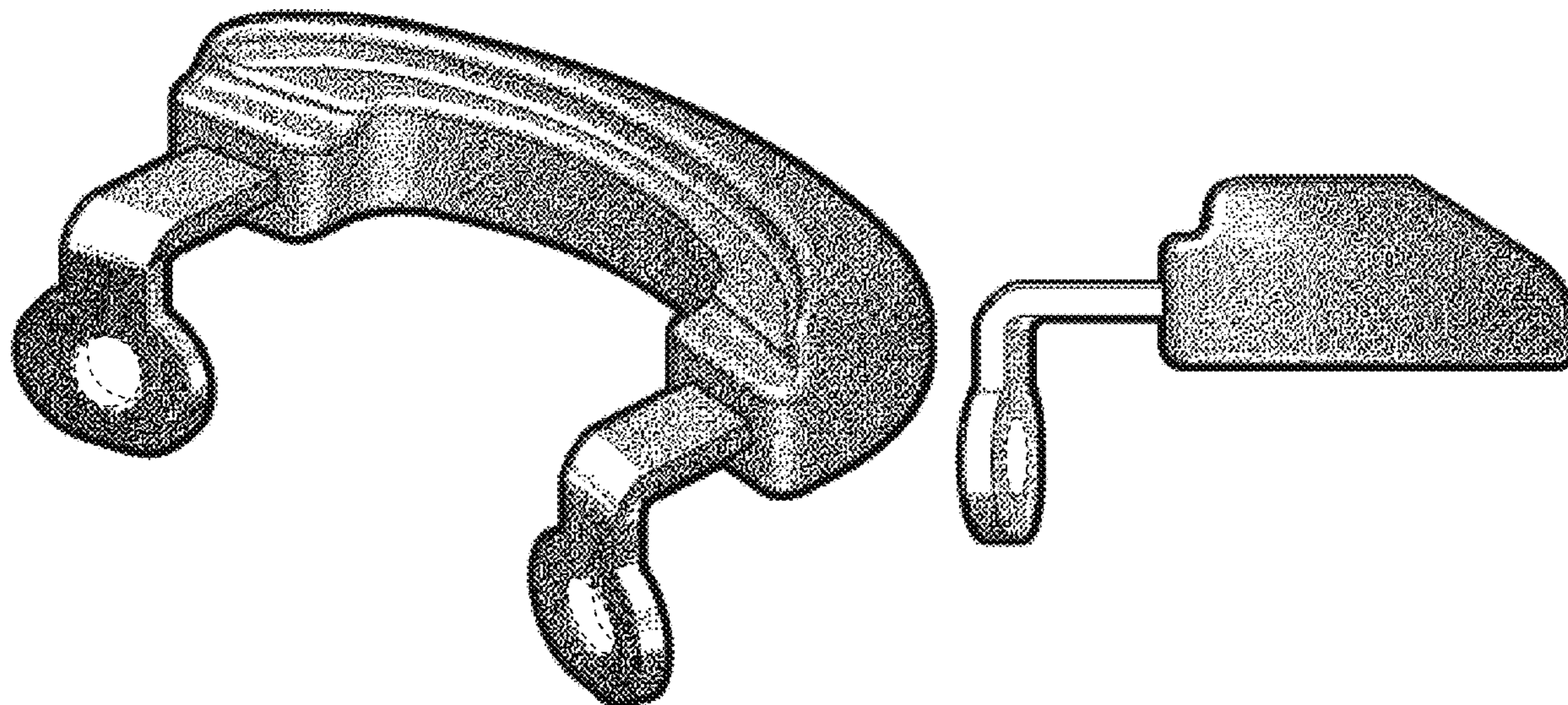
(57) **CLAIM**

The ornamental design for a cookware side handle, as shown and described.

DESCRIPTION

FIG. 1 is a perspective view of the “cookware side handle”, showing my new design;
 FIG. 3 is a top plan view thereof;
 FIG. 2 is a right side elevational view, the left side elevation view being the mirror image thereof;
 FIG. 4 is a bottom plan view thereof;
 FIG. 5 is a front elevation thereof;
 FIG. 6 is a back elevation view thereof; and,
 FIG. 7 is a cross-sectional elevation view thereof, taken at section line 7-7 in FIG. 3.
 The broken lines in FIGS. 1,2 and 5-7 are for illustrative purposes only, depicting the environment of the new design, forming no part thereof as claimed.

1 Claim, 5 Drawing Sheets



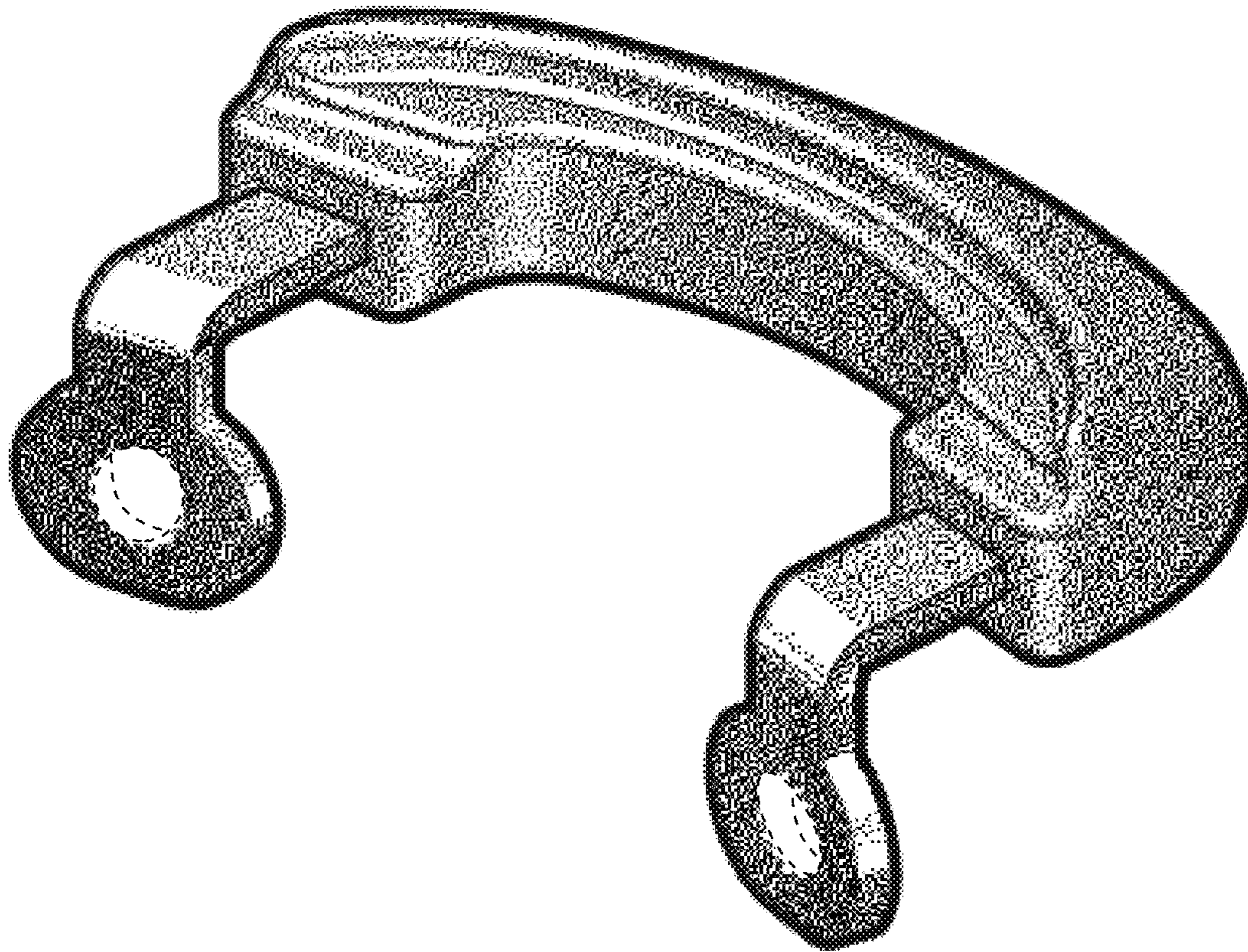


FIG. 1

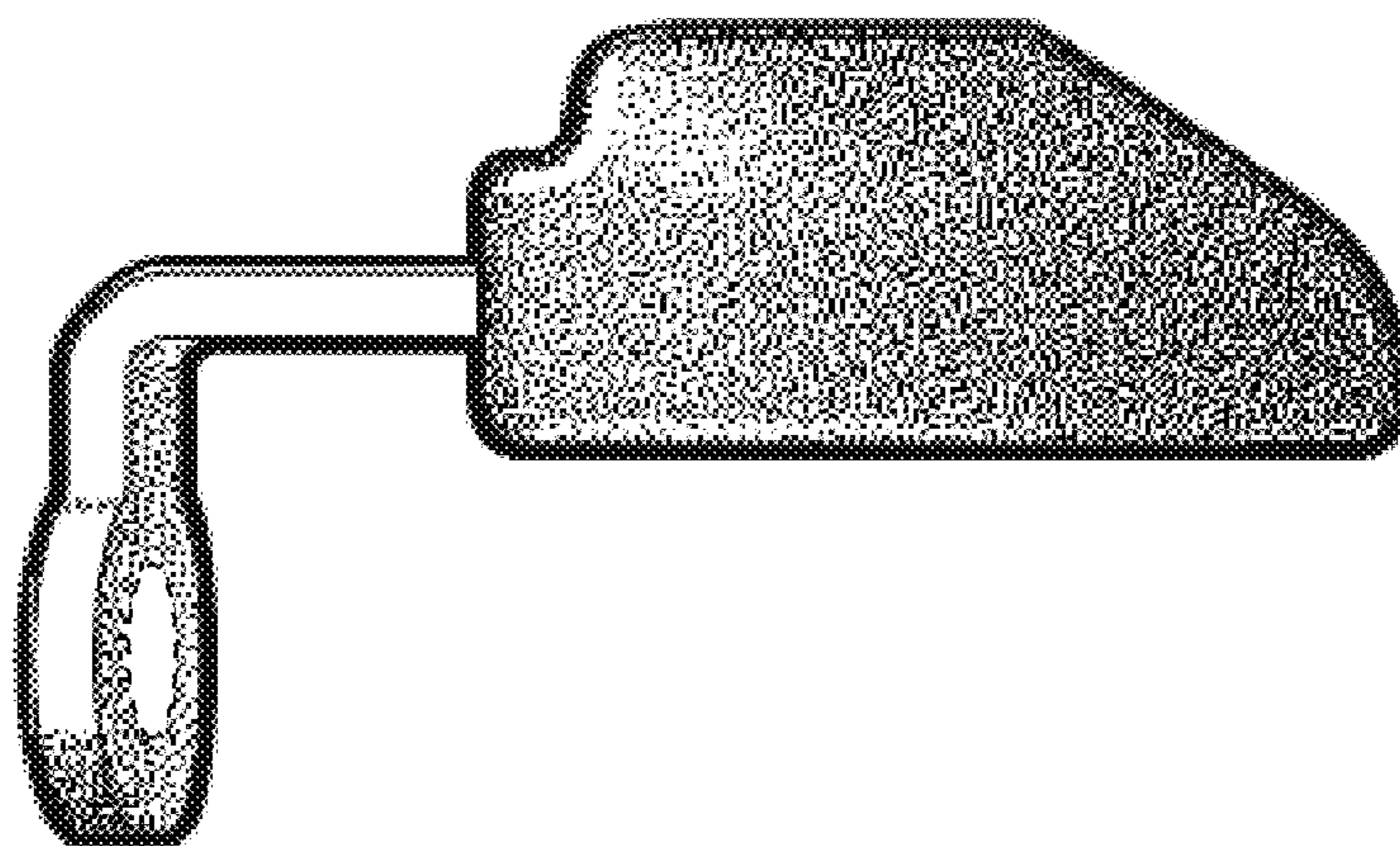


FIG. 2

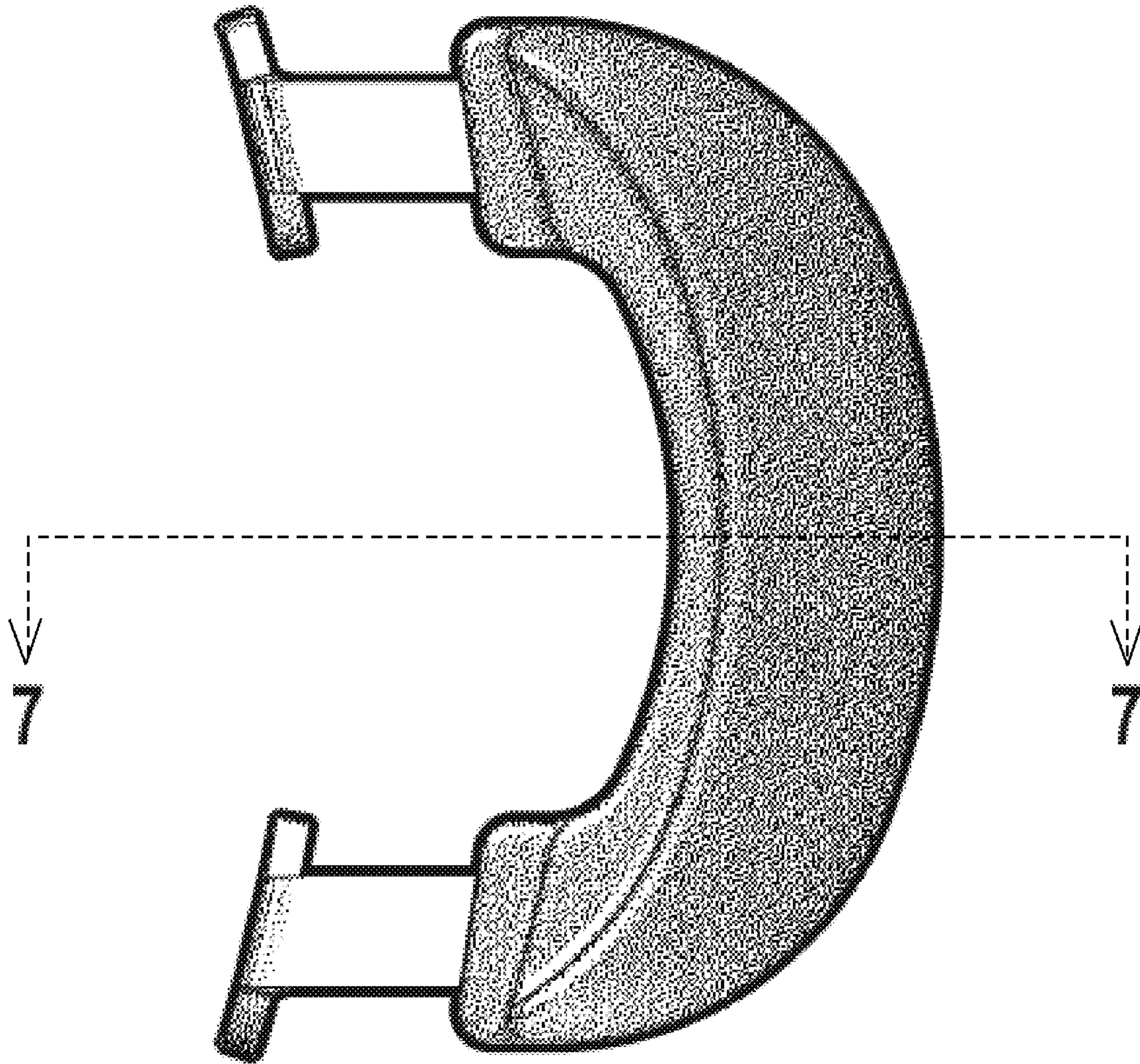


FIG. 3

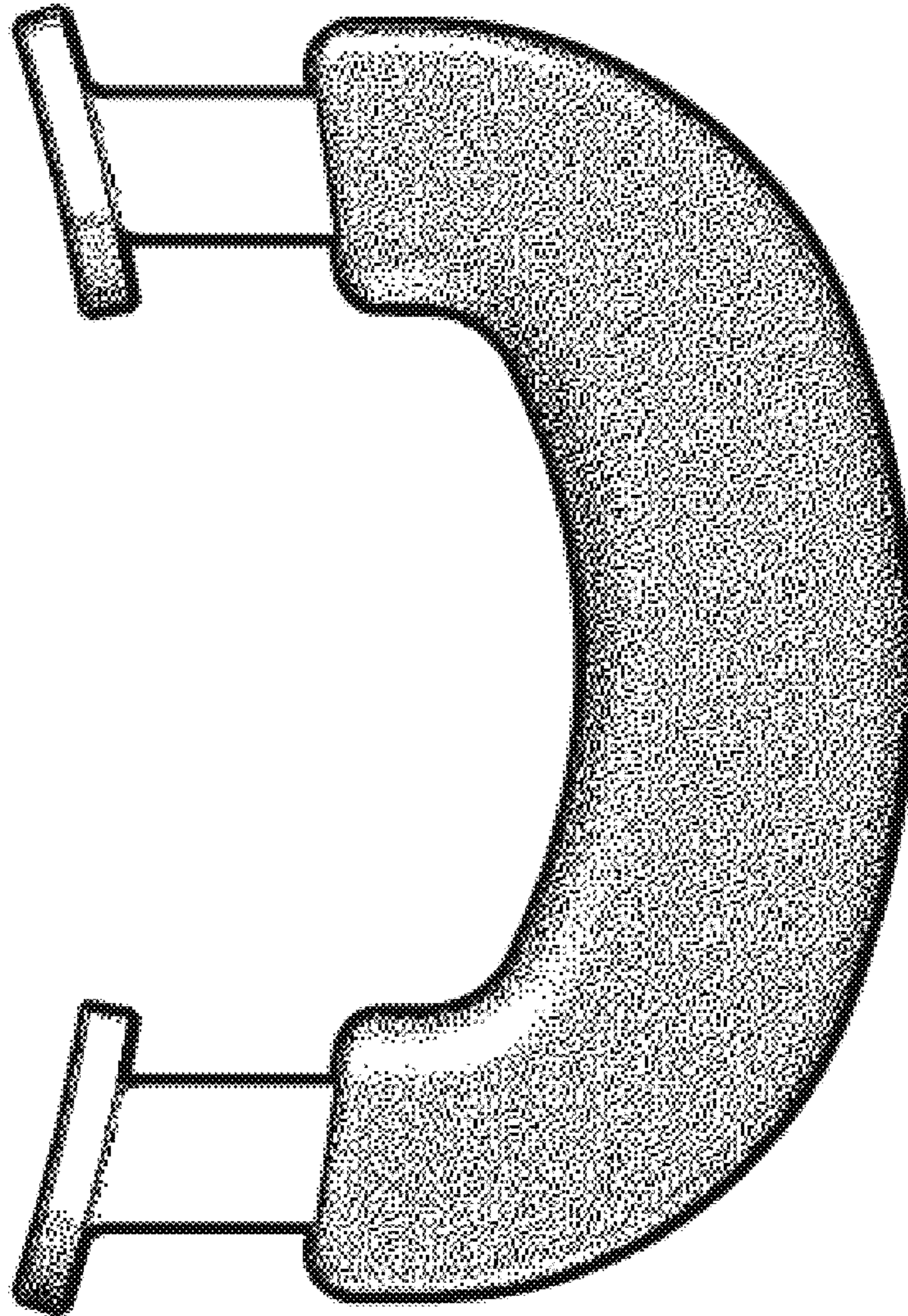


FIG.4

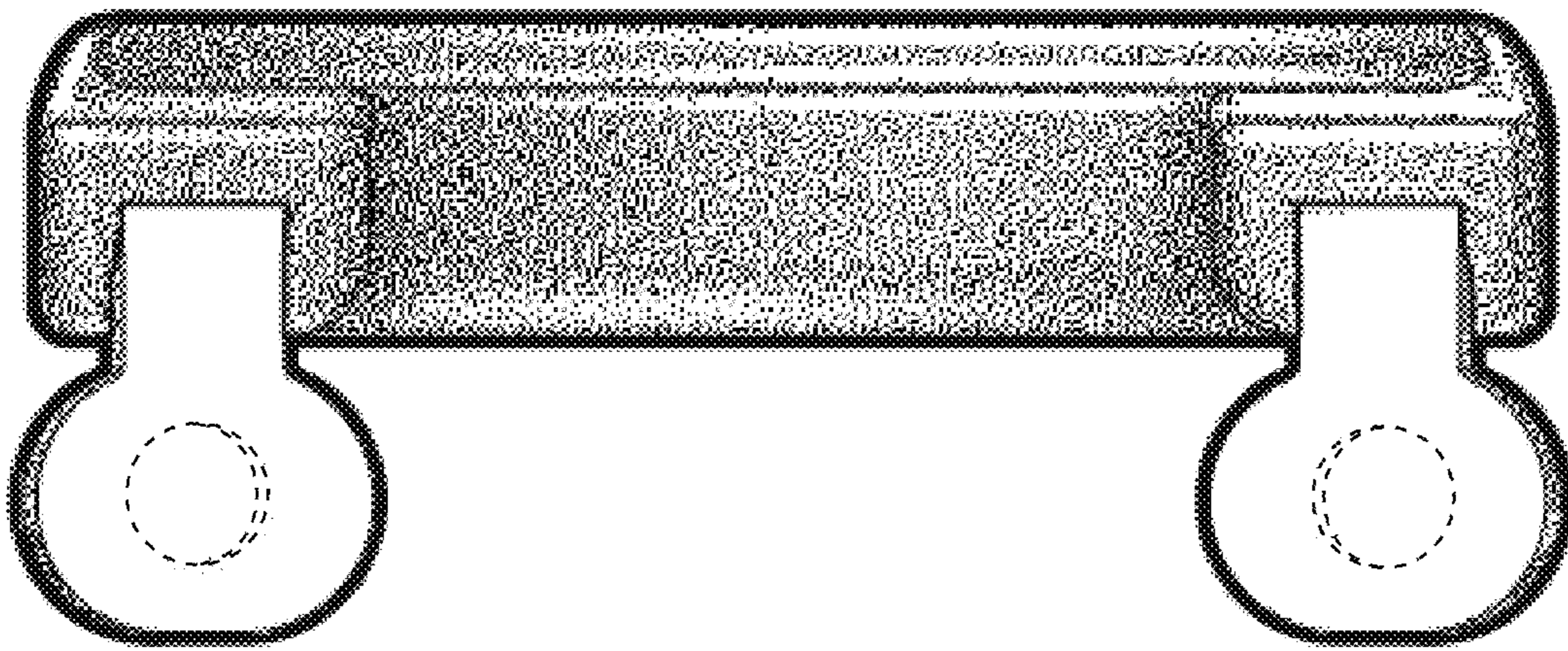


FIG. 5

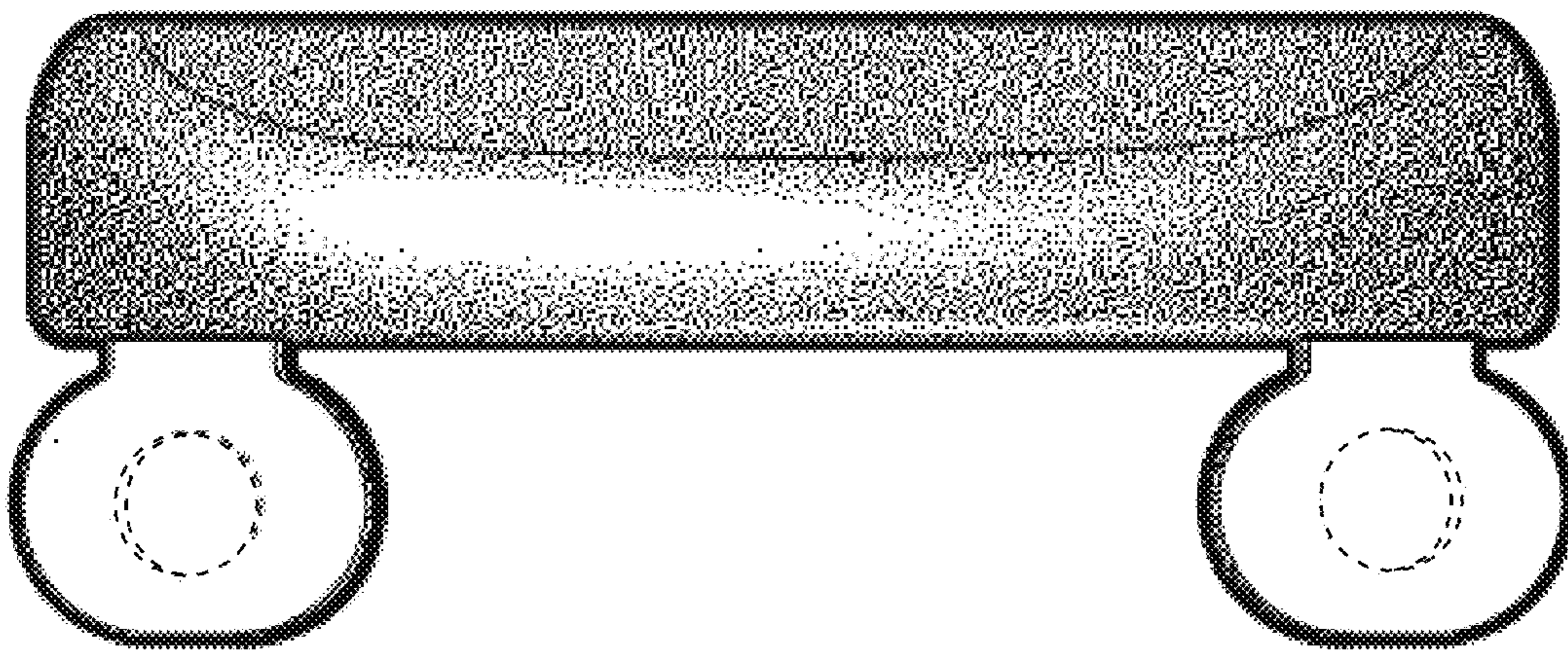


FIG. 6

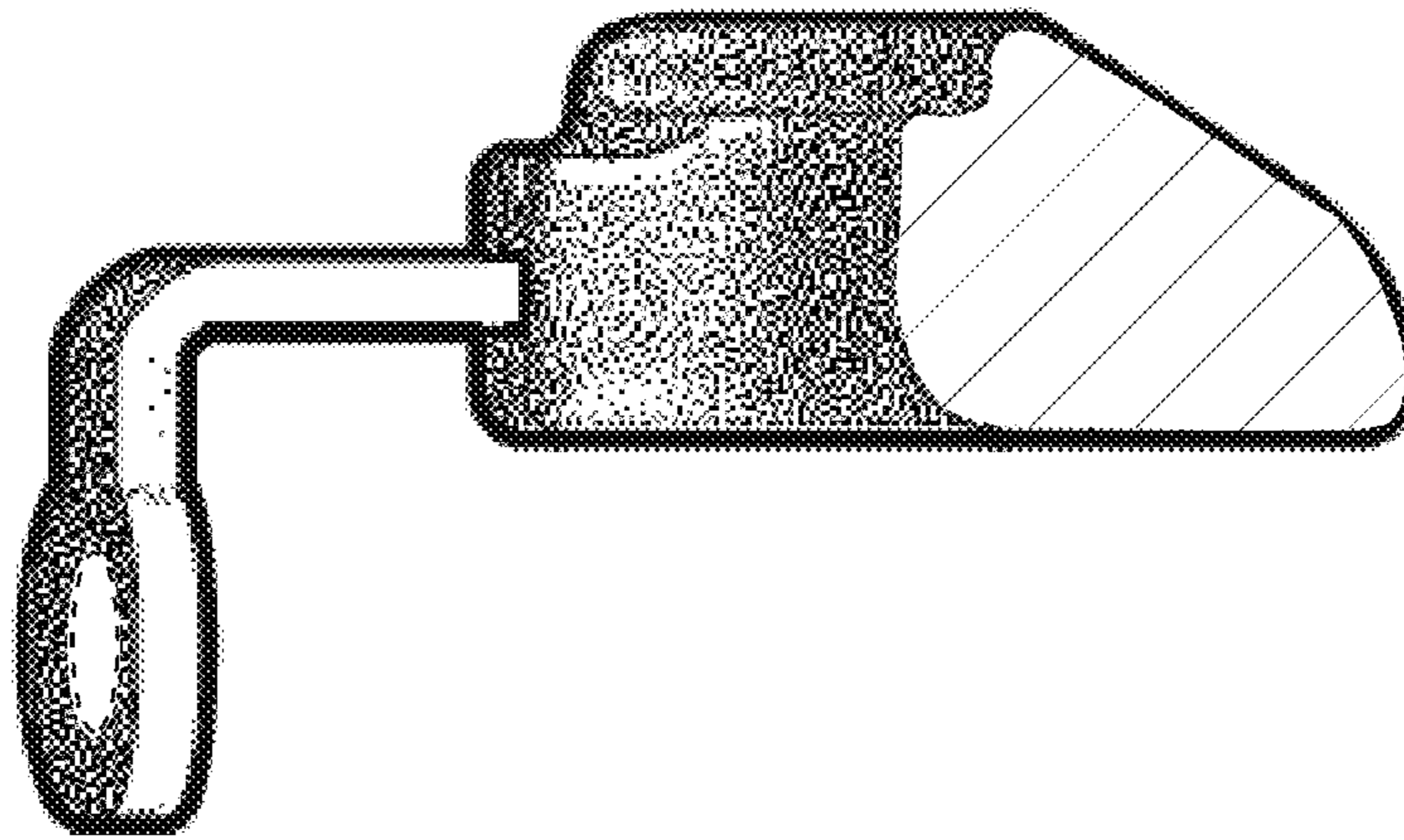


FIG. 7