

US00D890565S

(12) **United States Design Patent** (10) **Patent No.:** **US D890,565 S**
Doucet et al. (45) **Date of Patent:** **** Jul. 21, 2020**

(54) **CHILD SAFE BEVERAGE CAN LID**
(71) Applicant: **Peter Barsoom**, Denver, CO (US)
(72) Inventors: **Joe D. Doucet**, Brooklyn, NY (US);
Peter Barsoom, Denver, CO (US)
(73) Assignee: **Peter Barsoom**, Denver, CO (US)
(**) Term: **15 Years**
(21) Appl. No.: **29/668,162**
(22) Filed: **Oct. 29, 2018**
(51) **LOC (12) Cl.** **07-99**
(52) **U.S. Cl.**
USPC **D7/392.1; D7/396.2; D9/449; D9/446**
(58) **Field of Classification Search**
USPC **D7/392.1, 396.2, 387, 391, 213, 510,**
D7/511, 507, 900, 393, 406, 397, 399;
D9/902, 434, 435, 436, 439, 443, 455,
D9/416, 763, 438, 446, 449; D10/40, 41,
D10/42, 52, 128; 220/200; D15/89
CPC **A47G 19/2211; A47G 19/22; A45F 3/16;**
B65D 41/56; B65D 43/02; B65D 47/08
See application file for complete search history.

(56) **References Cited**

U.S. PATENT DOCUMENTS

D469,353 S * 1/2003 Sturk D9/443
D475,925 S * 6/2003 Sturk D9/435
D643,722 S * 8/2011 Gorskey D9/439
D710,201 S * 8/2014 Miranda De Araujo D9/449
D776,529 S * 1/2017 Torrison D9/435
D834,414 S * 11/2018 Moore D9/449
D848,837 S * 5/2019 Fukumoto D9/435
D854,878 S * 7/2019 Duvigneau D7/391
D867,882 S * 11/2019 Arminak B65D 50/041
D9/449
D871,834 S * 1/2020 Sarnoff D7/392.1
2009/0014457 A1 * 1/2009 Bennett B65D 43/163
220/834

2013/0306667 A1* 11/2013 Chan A47G 19/30
220/810
2016/0235184 A1* 8/2016 Lee A45D 33/24
2018/0037375 A1* 2/2018 Lee A45D 40/22

(Continued)

Primary Examiner — Jae Liang

(74) *Attorney, Agent, or Firm* — Thompson Coburn LLP

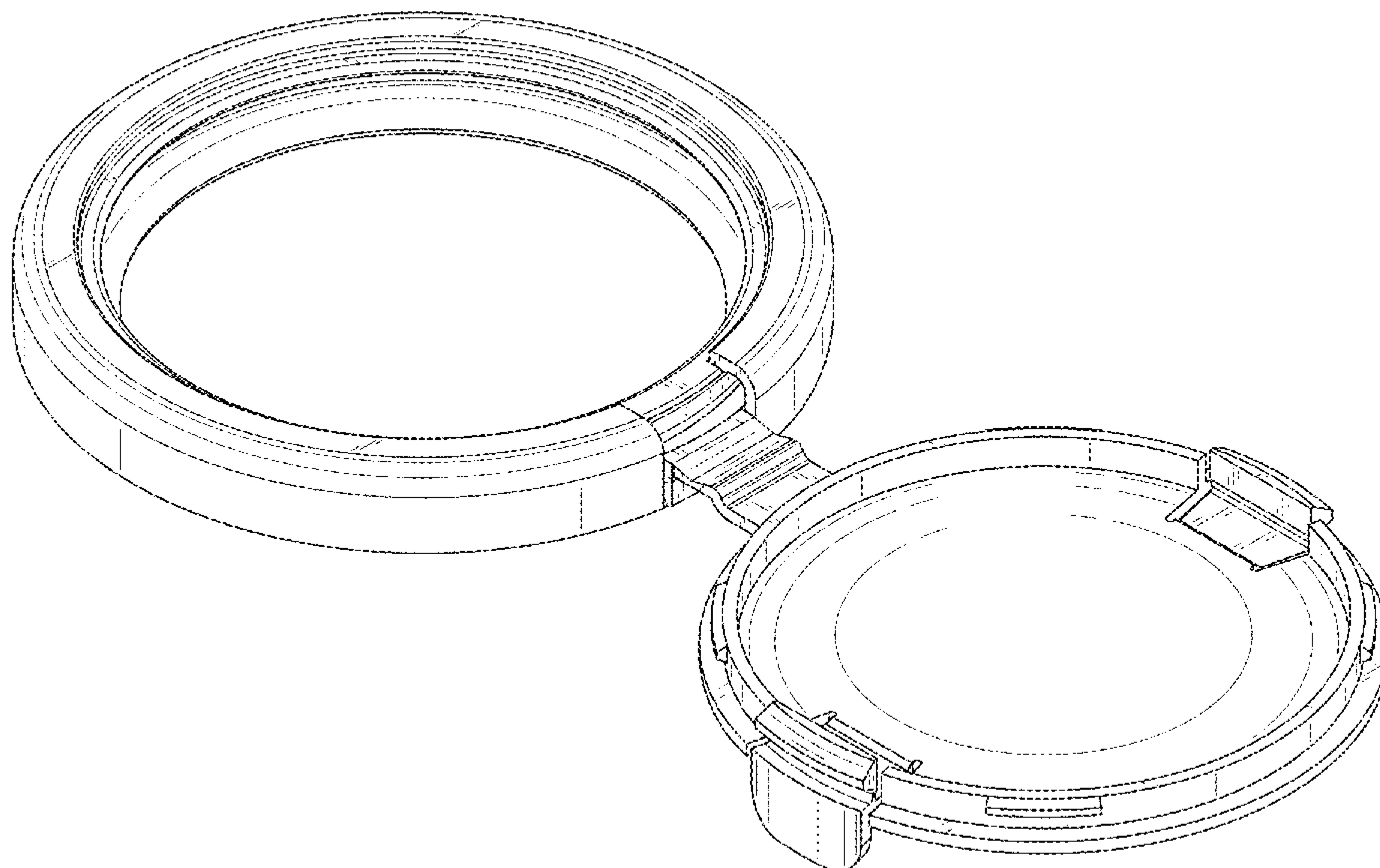
(57) **CLAIM**

The ornamental design for a child safe beverage can lid, as shown and described.

DESCRIPTION

FIG. 1 is a perspective view of a child safe beverage can lid showing our new design in a first configuration; FIG. 2 is a front elevational view thereof; FIG. 3 is a rear elevational view thereof; FIG. 4 is a left side view thereof; FIG. 5 is a right side view thereof; FIG. 6 is a top view thereof; FIG. 7 is a bottom view thereof; FIG. 8 is a perspective view of the child safe beverage can lid showing our new design in a second configuration; FIG. 9 is a front elevational view thereof; FIG. 10 is a rear elevational view thereof; FIG. 11 is a left side view thereof; FIG. 12 is a right side view thereof; FIG. 13 is a top view thereof; FIG. 14 is a bottom view thereof. FIG. 15 is a perspective view of the child safe beverage can lid showing our new design in a third configuration; FIG. 16 is a front elevational view thereof; FIG. 17 is a rear elevational view thereof; FIG. 18 is a left side view thereof; FIG. 19 is a right side view thereof; and, FIG. 20 is a top view thereof. The even dashed lines depict environment and form no part of the claimed design.

1 Claim, 20 Drawing Sheets



(56)

References Cited

U.S. PATENT DOCUMENTS

2018/0127163 A1* 5/2018 Choi B65D 51/18
2020/0031540 A1* 1/2020 Dzurik B65D 1/0223

* cited by examiner

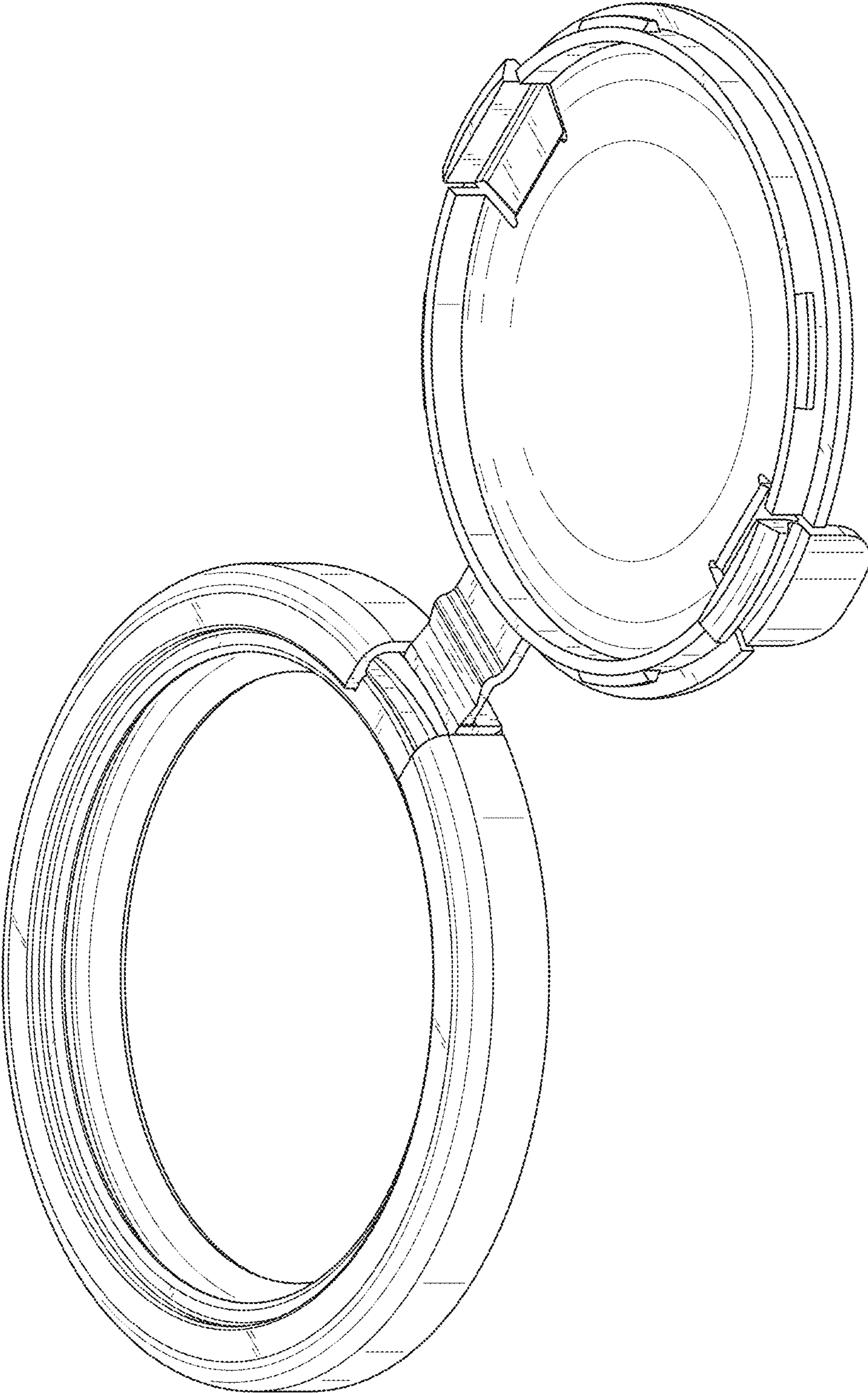


FIG. 1

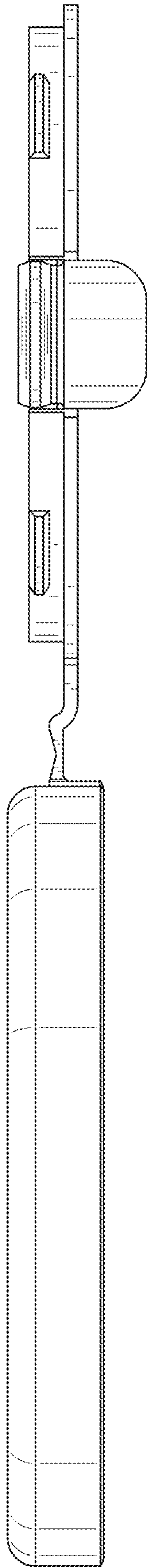


FIG. 2

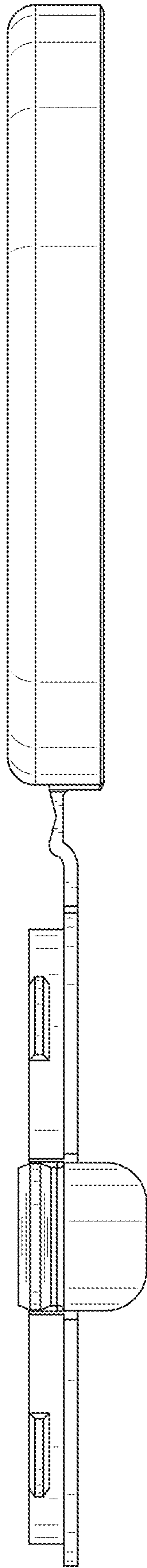


FIG. 3

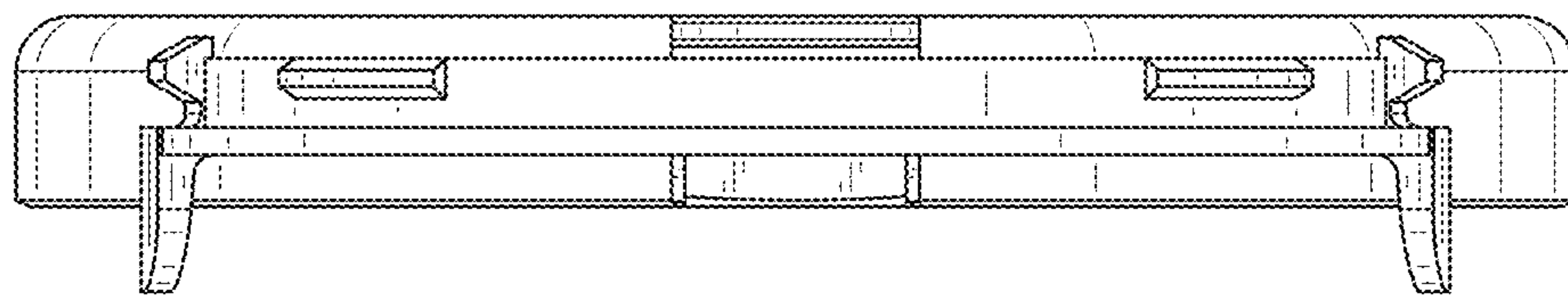


FIG. 4

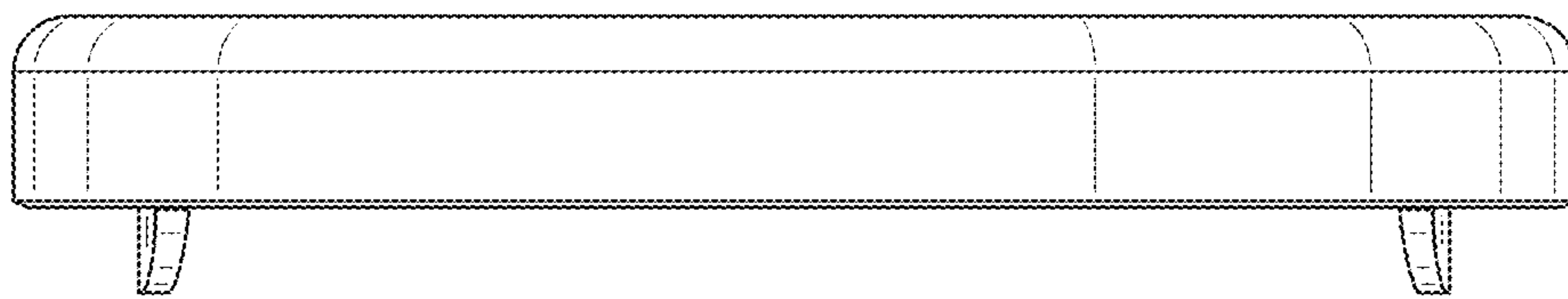


FIG. 5

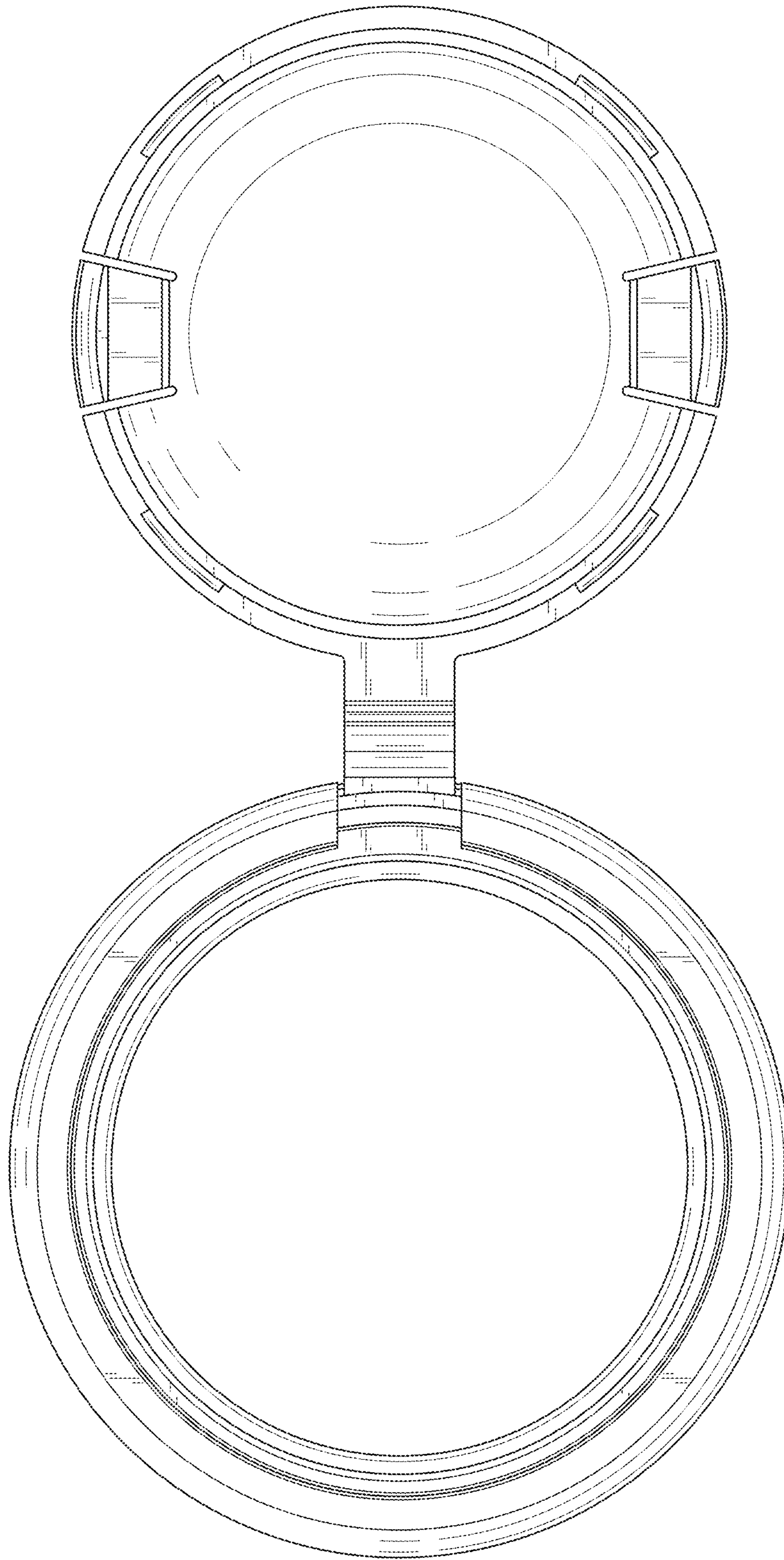


FIG. 6

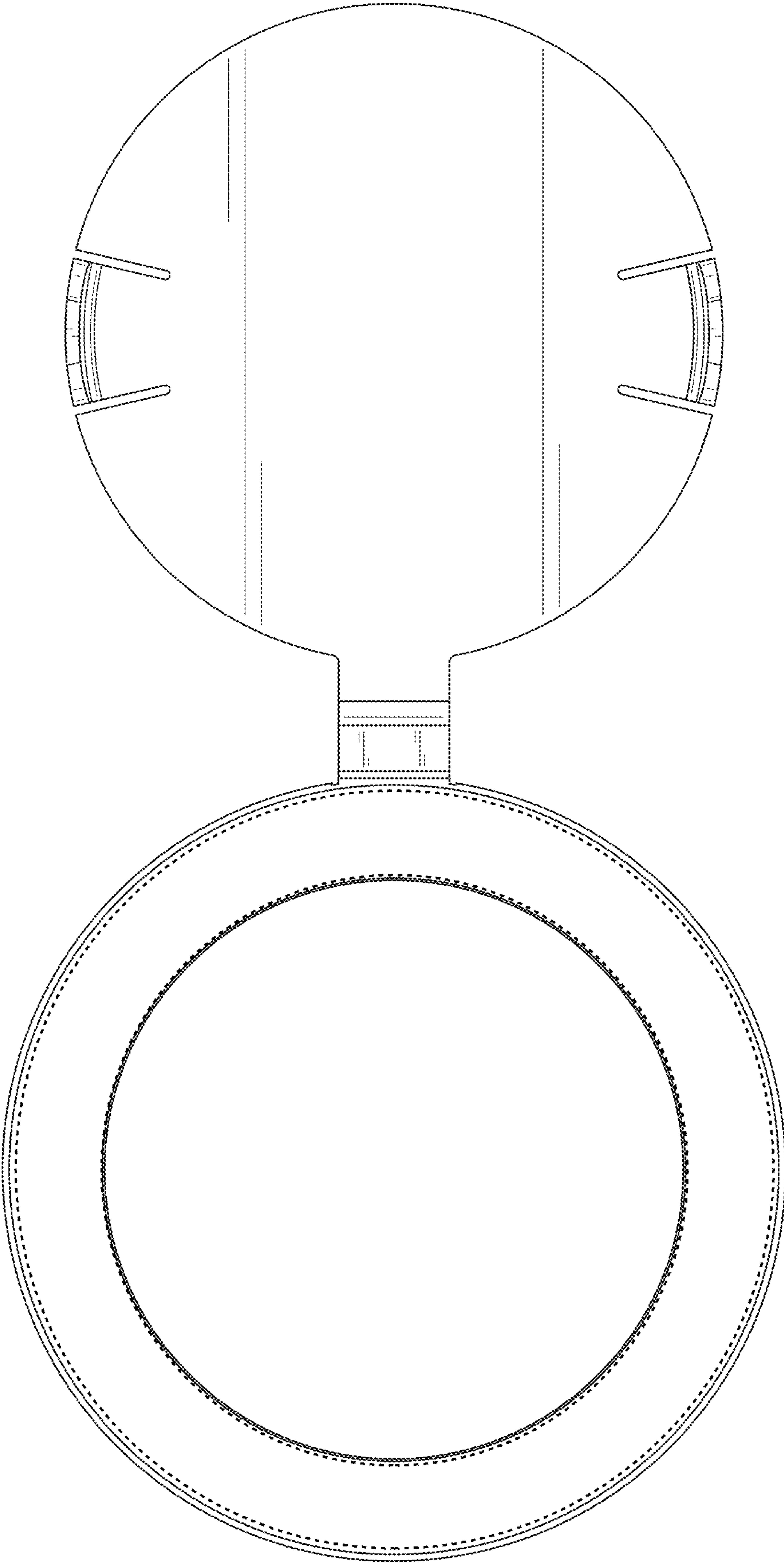


FIG. 7

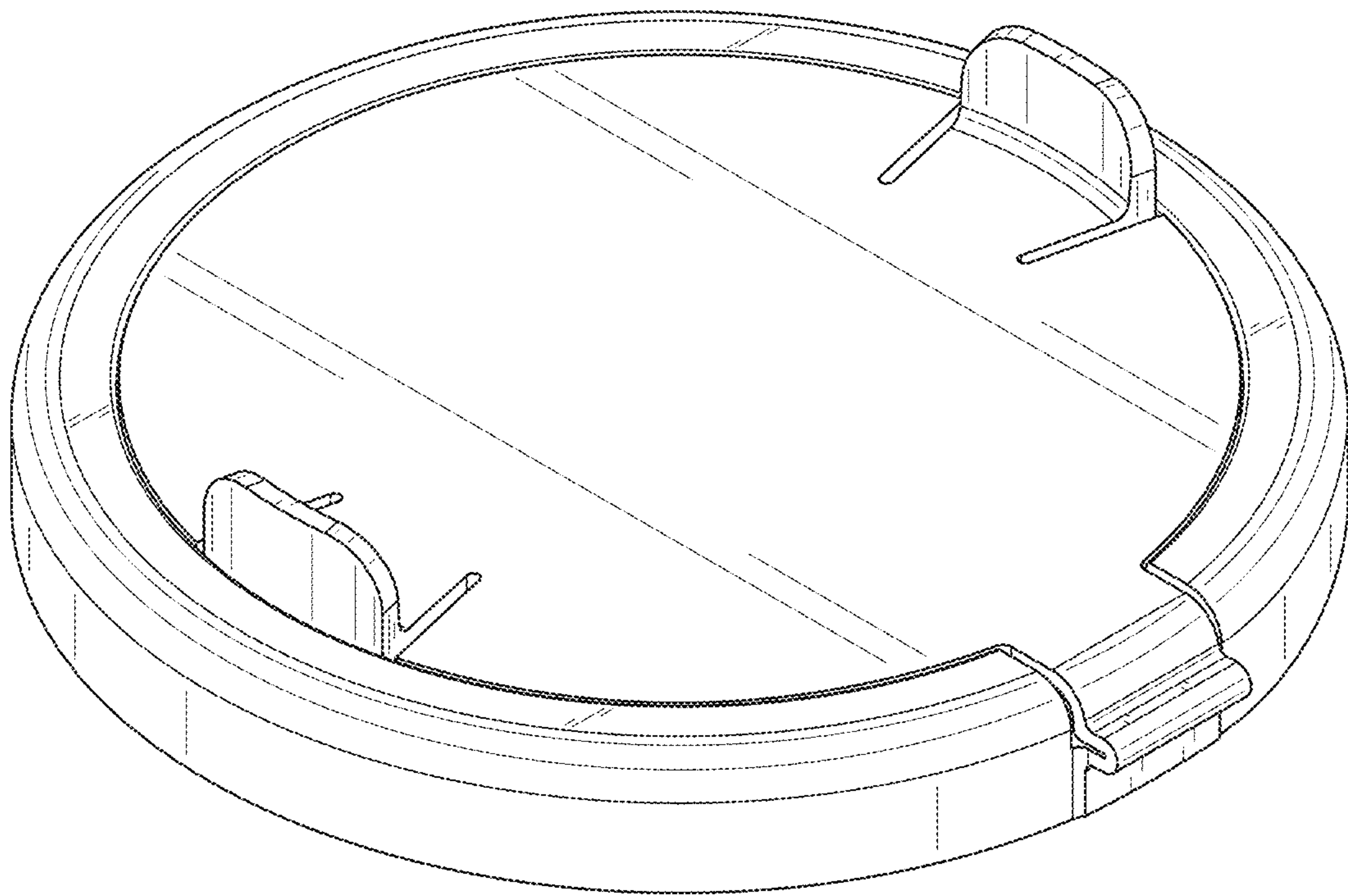


FIG. 8

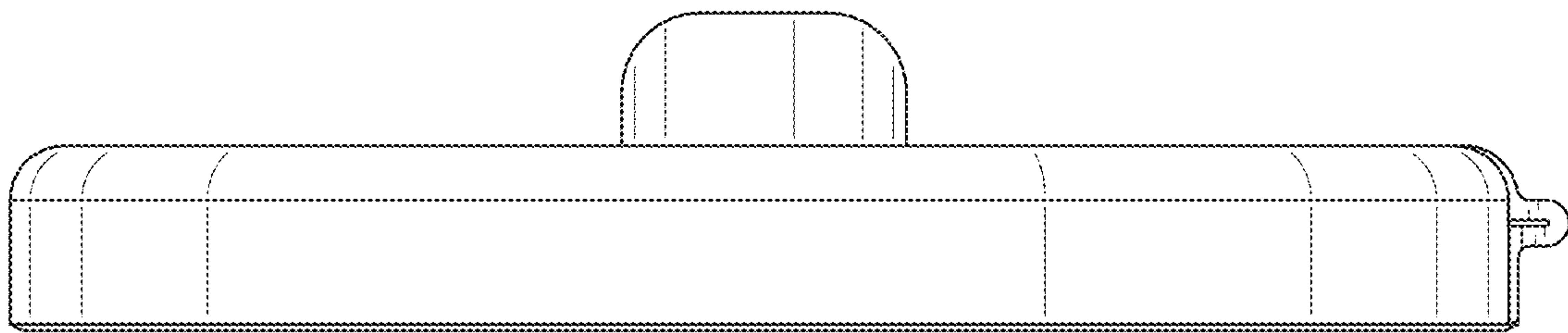


FIG. 9

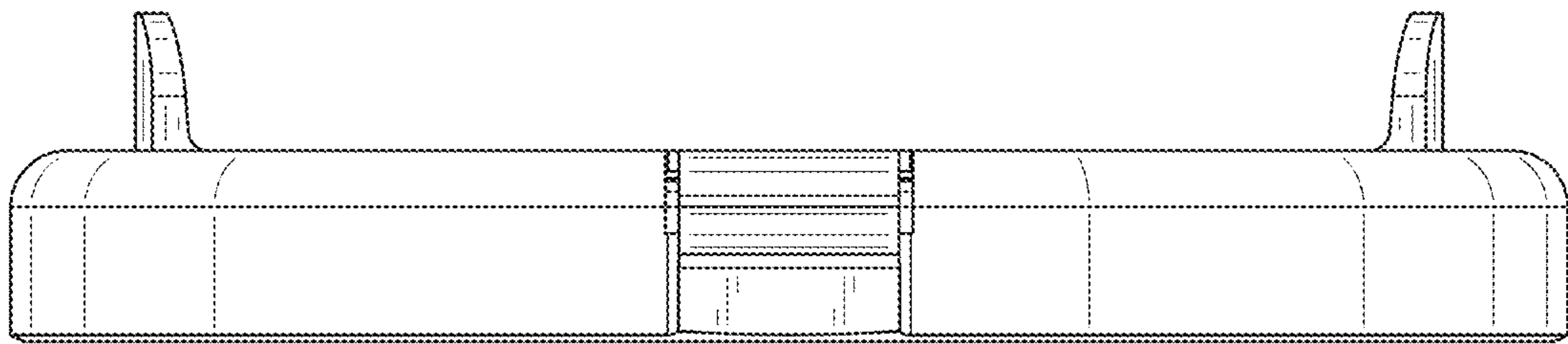


FIG. 10

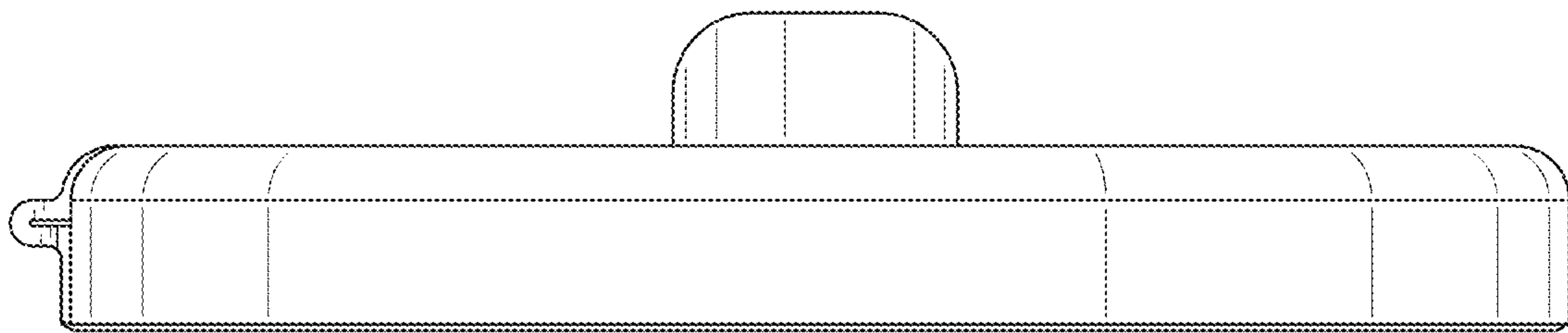


FIG. 11

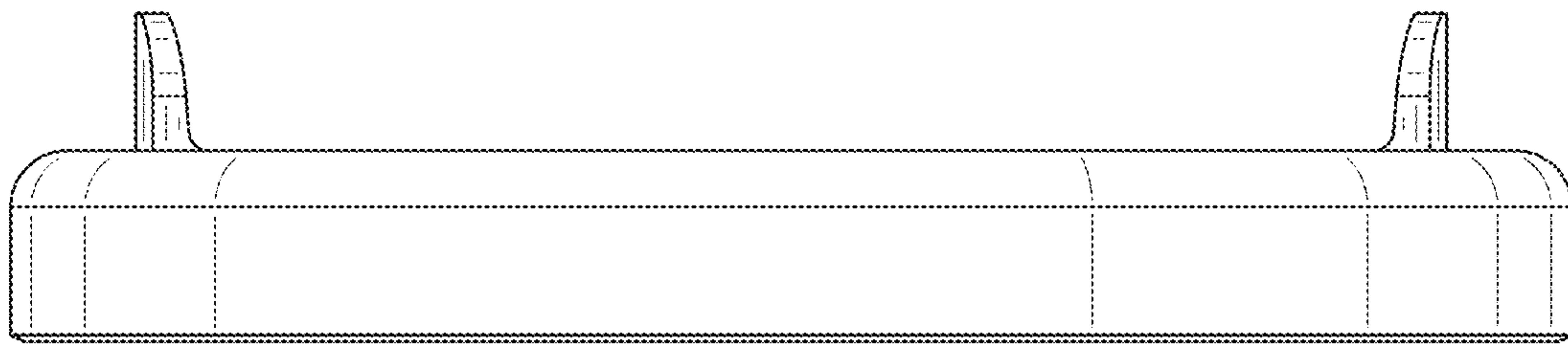


FIG. 12

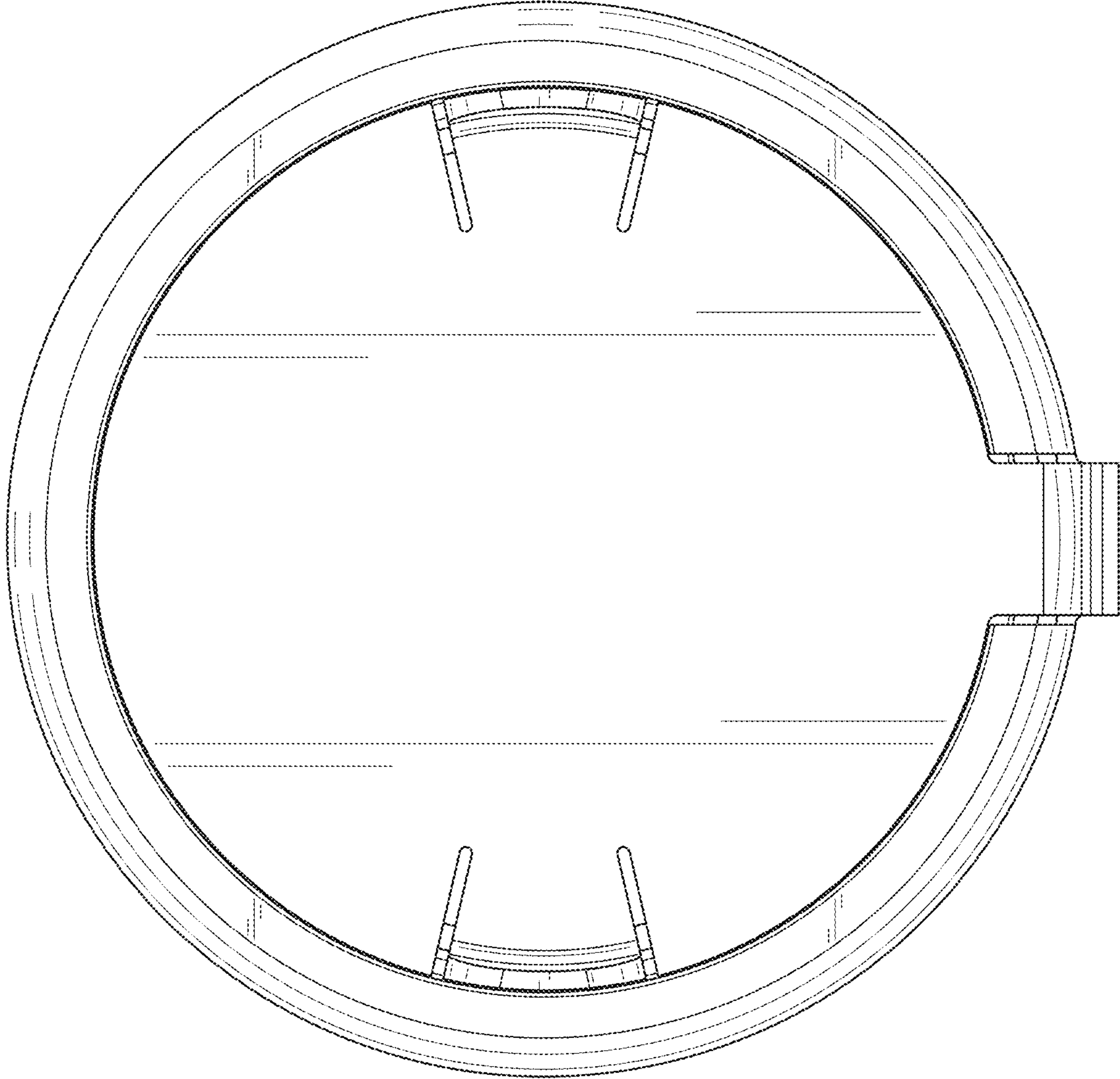


FIG. 13

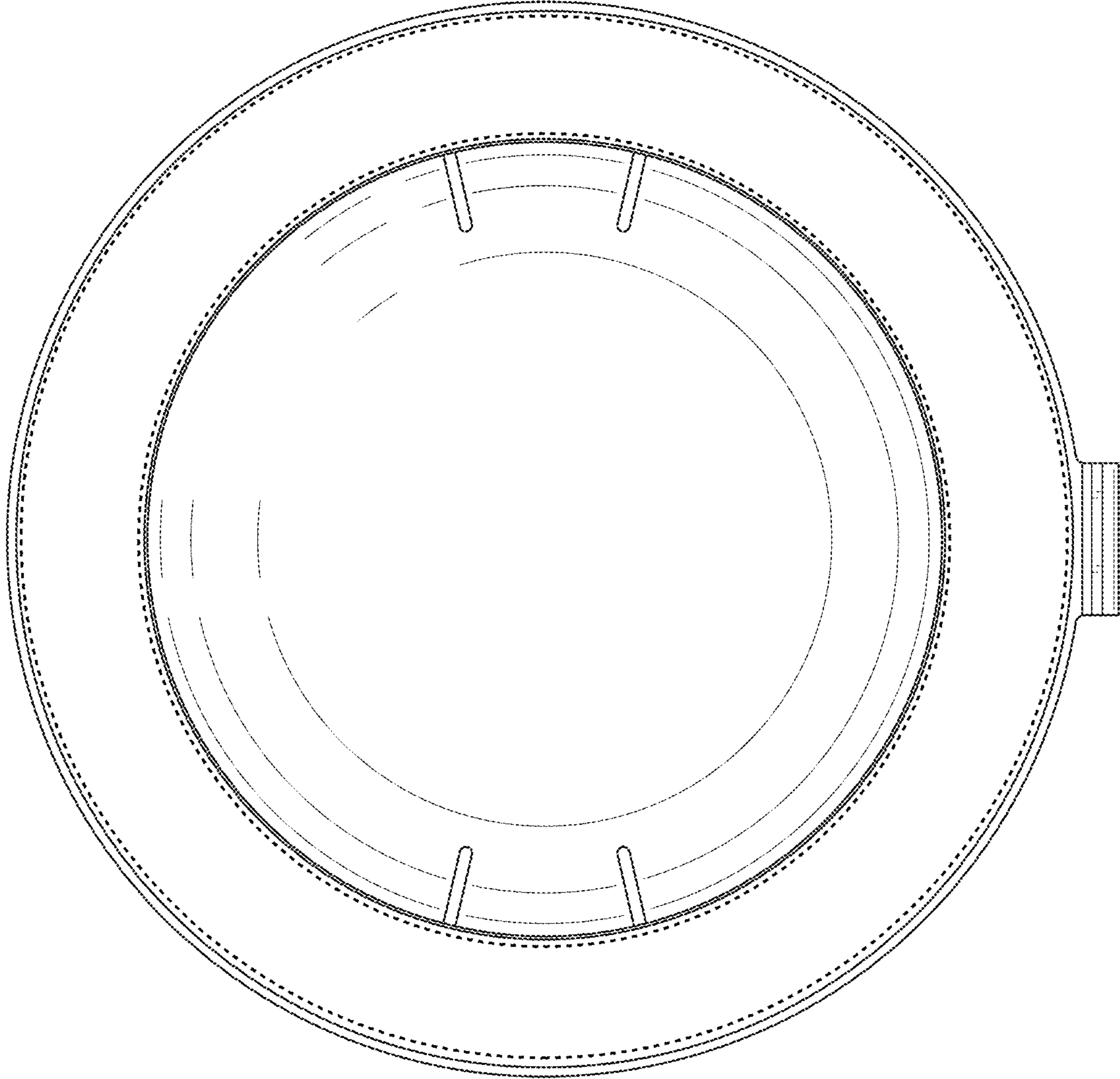


FIG. 14

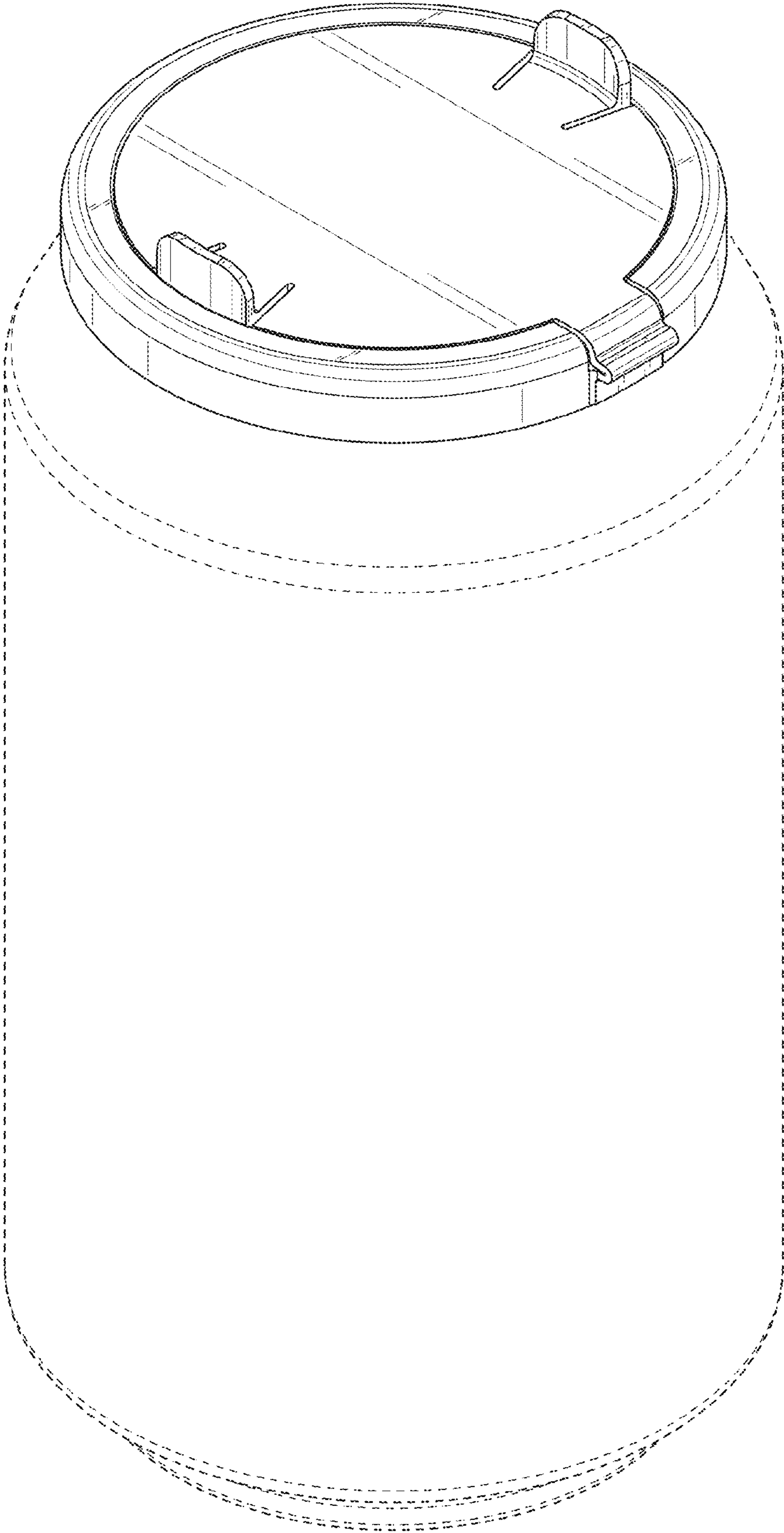


FIG. 15



FIG. 16

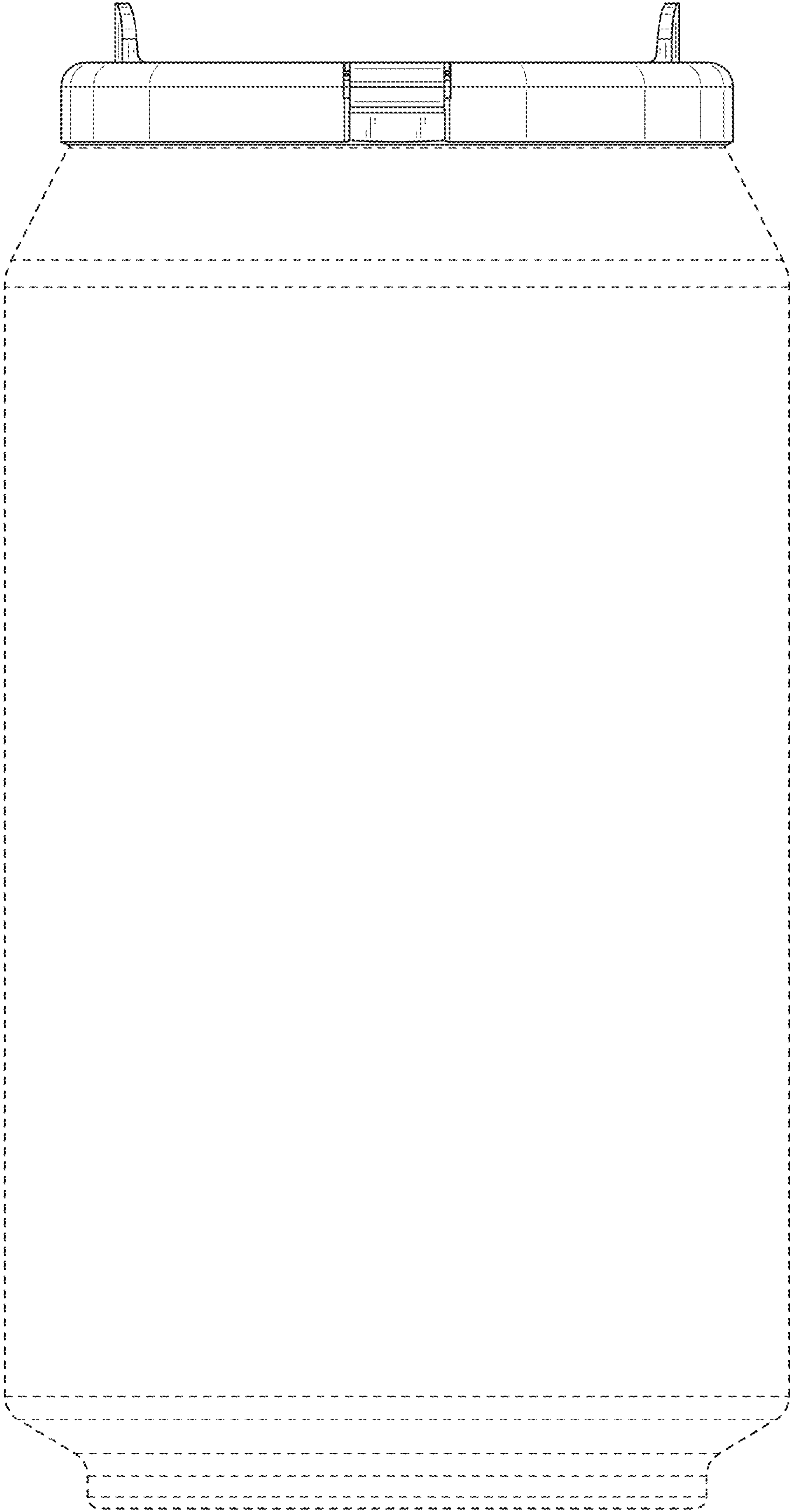


FIG. 17

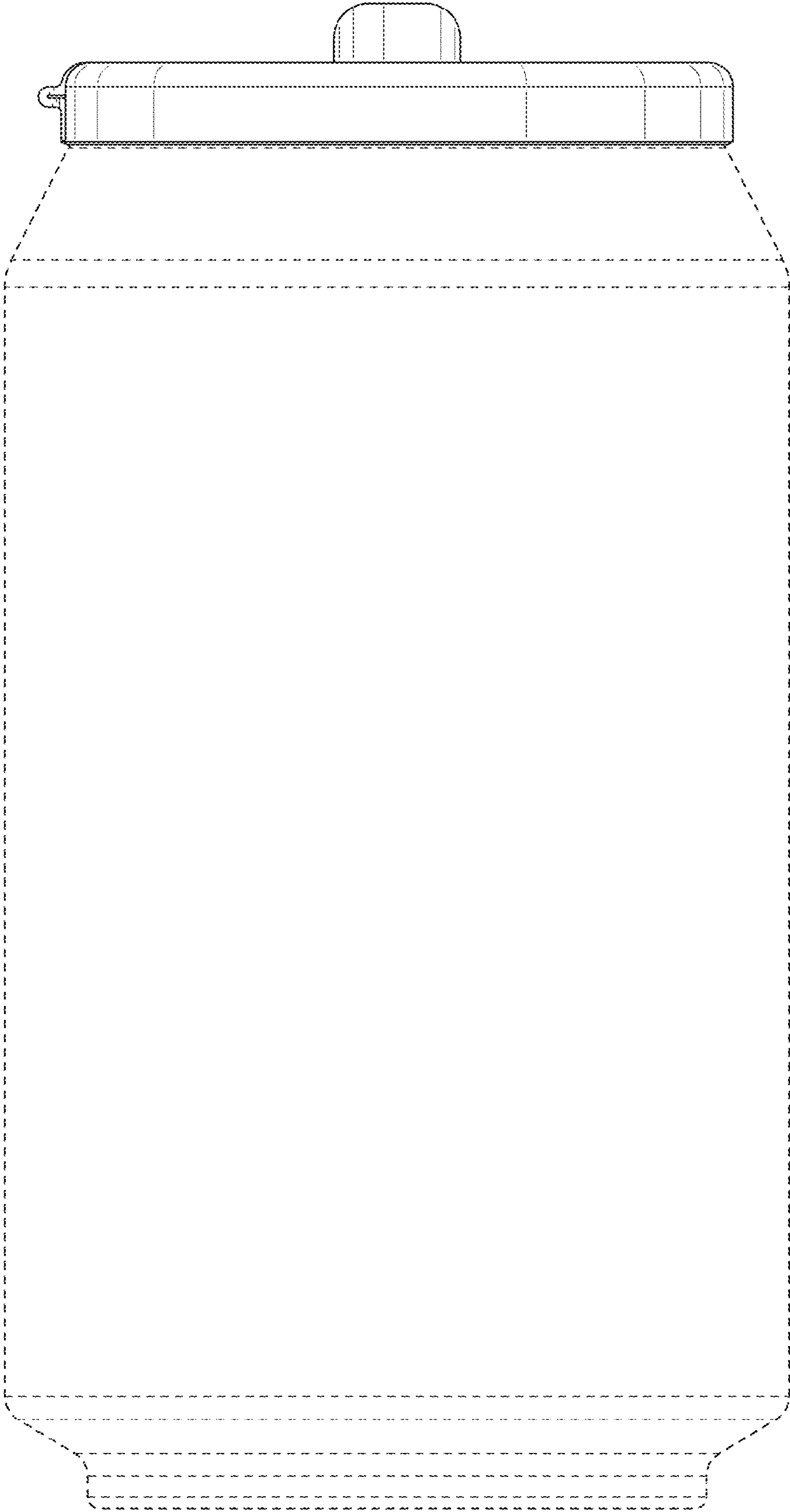


FIG. 18



FIG. 19

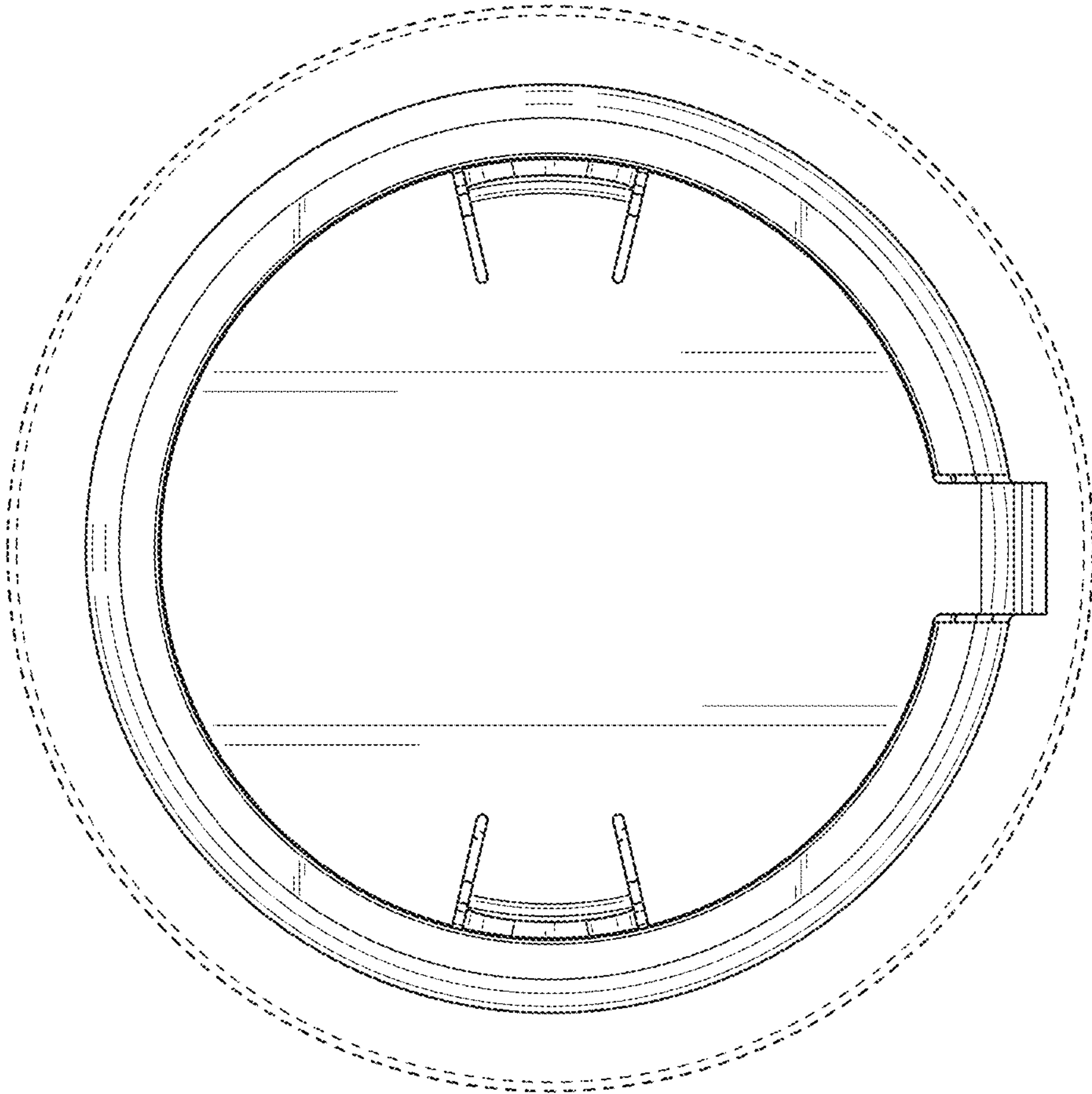


FIG. 20