



US00D890563S

(12) **United States Design Patent** (10) **Patent No.:** **US D890,563 S**  
**Goodman et al.** (45) **Date of Patent:** **\*\* Jul. 21, 2020**

(54) **TRIVET**  
(71) Applicant: **Spectrum Diversified Designs, LLC**,  
Streetsboro, OH (US)  
(72) Inventors: **Aaron Goodman**, Beachwood, OH  
(US); **Megan Dittrich**, Twinsburg, OH  
(US)  
(73) Assignee: **SPECTRUM DIVERSIFIED  
DESIGNS, LLC**, Streetsboro, OH (US)  
(\*\*) Term: **15 Years**  
(21) Appl. No.: **29/669,311**  
(22) Filed: **Nov. 7, 2018**  
(51) **LOC (12) Cl.** ..... **07-99**  
(52) **U.S. Cl.**  
USPC ..... **D7/388**; D34/38  
(58) **Field of Classification Search**  
USPC ..... D7/388, 409, 504; D34/38  
CPC ..... A47J 37/00; F24C 15/16; B65D 19/0012;  
B65D 2519/0034  
See application file for complete search history.

(56) **References Cited**

**U.S. PATENT DOCUMENTS**

D183,298 S \* 8/1958 Browne ..... D7/409  
D253,273 S \* 10/1979 Matzdorff ..... D32/55  
D371,882 S \* 7/1996 Kristoffersson ..... D34/38  
D411,682 S \* 6/1999 Edwards ..... D34/38  
6,006,677 A \* 12/1999 Apps ..... B65D 19/0012  
108/57.25  
6,029,583 A \* 2/2000 Letrudet ..... B65D 19/0012  
108/57.25  
D633,273 S \* 2/2011 Kellerer ..... D34/38

D794,091 S \* 8/2017 Smith ..... D15/89  
D808,710 S \* 1/2018 Goodman ..... D7/388  
10,081,454 B2 \* 9/2018 Storteboom ..... B65D 19/0016  
D869,812 S \* 12/2019 Lin ..... D34/38  
D869,815 S \* 12/2019 Holm ..... D34/38  
10,532,852 B2 \* 1/2020 Apps ..... B65D 19/0036  
2003/0075082 A1 \* 4/2003 Apps ..... B65D 19/0012  
108/57.25  
2004/0216648 A1 \* 11/2004 Apps ..... B65D 19/0012  
108/57.25  
2007/0062420 A1 \* 3/2007 Apps ..... B65D 19/0012  
108/57.25  
2009/0050029 A1 \* 2/2009 Ogburn ..... B65D 19/0012  
108/51.11  
2010/0083881 A1 \* 4/2010 Apps ..... B65D 19/0012  
108/57.33  
2016/0288951 A1 \* 10/2016 Rader ..... B65D 19/0016

\* cited by examiner

*Primary Examiner* — Marianne N Pandozzi

(74) *Attorney, Agent, or Firm* — Tucker Ellis LLP

(57) **CLAIM**

The ornamental design for a trivet, as shown and described.

**DESCRIPTION**

FIG. 1 is a perspective view of a trivet showing our new design.

FIG. 2 is a front view thereof.

FIG. 3 is a rear view thereof.

FIG. 4 is a right side view thereof.

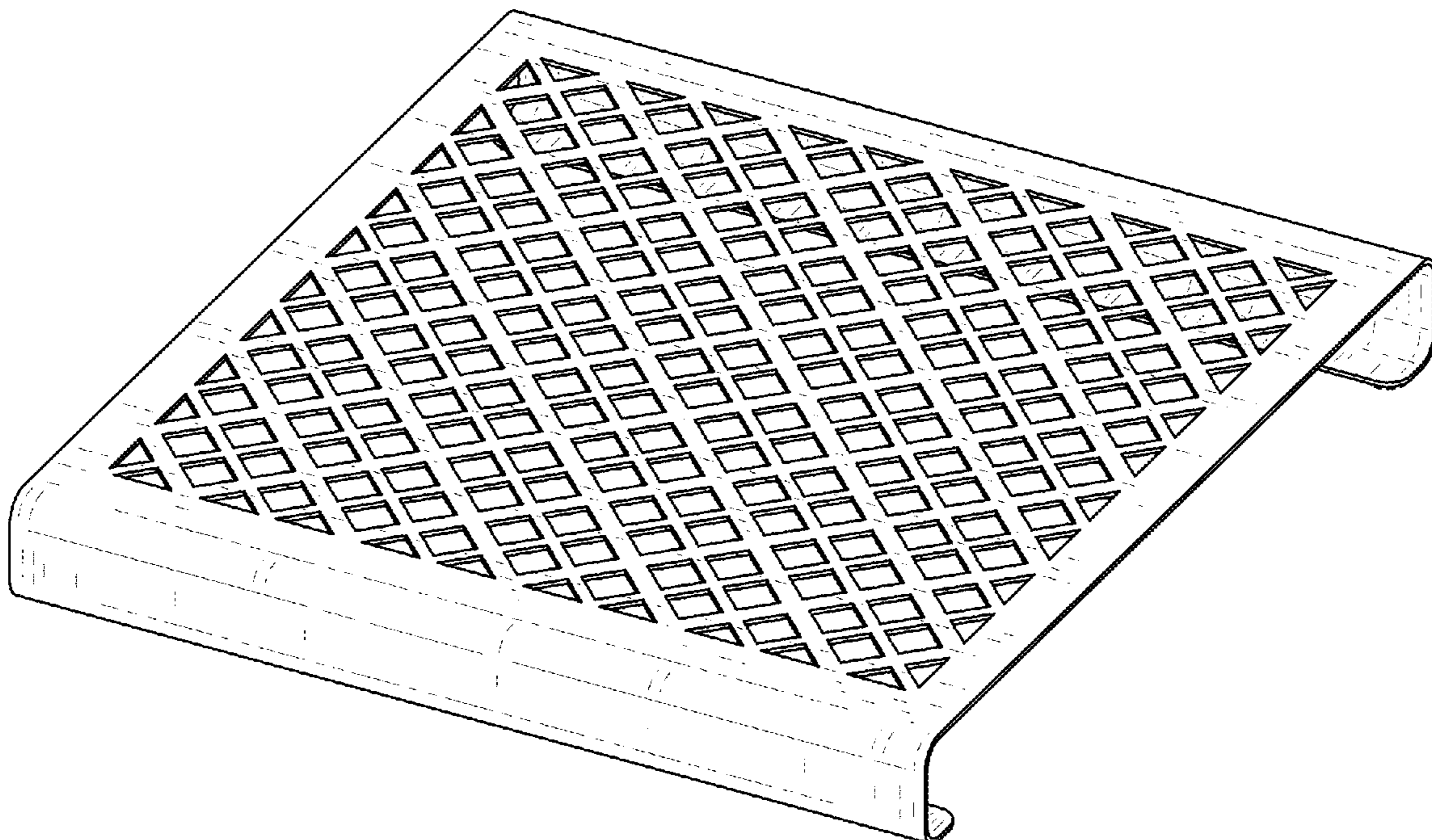
FIG. 5 is a left side view thereof.

FIG. 6 is a top view thereof; and,

FIG. 7 is a bottom view thereof.

The broken lines show portions of the design that form no part of the claimed design.

**1 Claim, 4 Drawing Sheets**



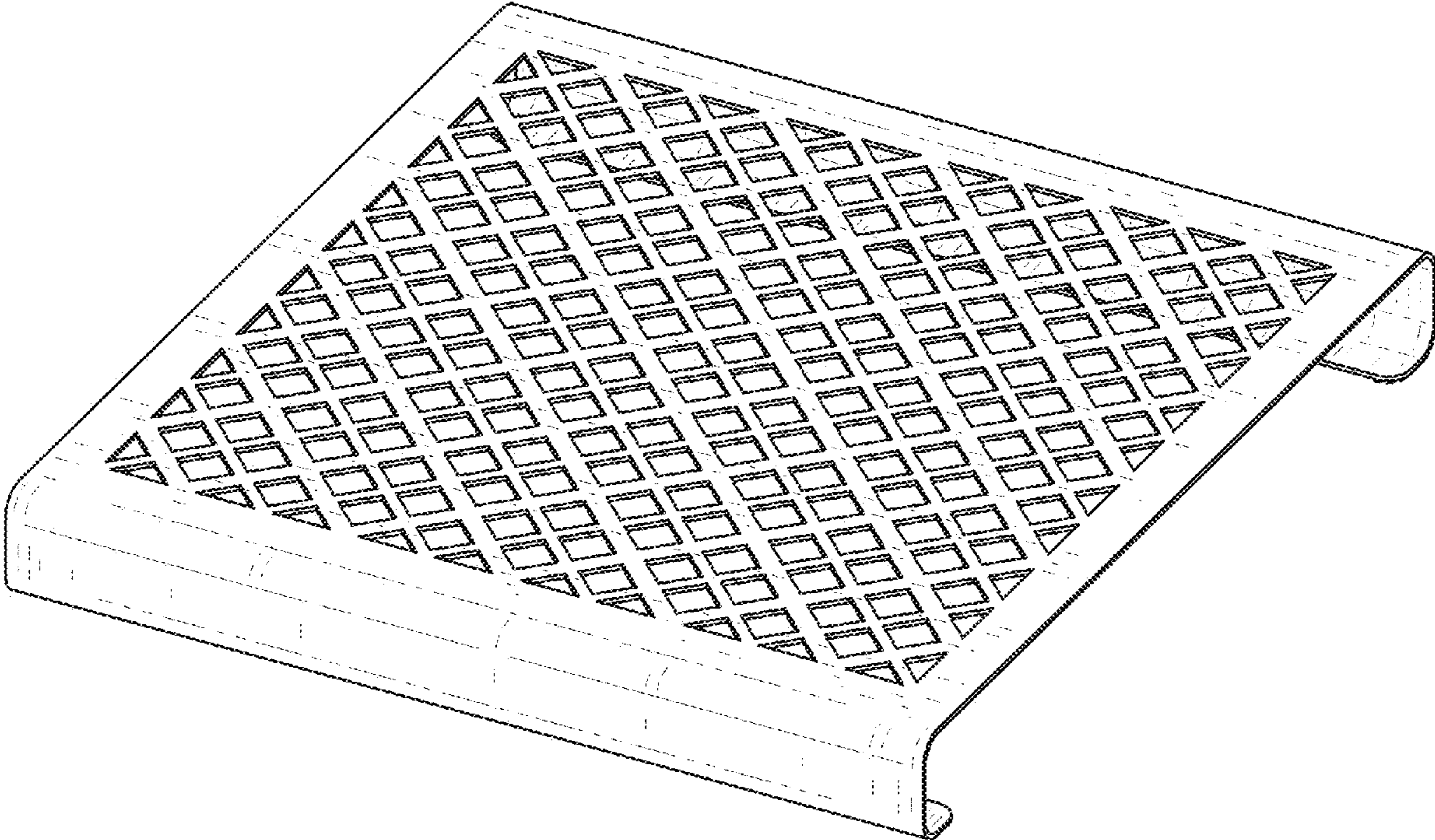


FIG. 1

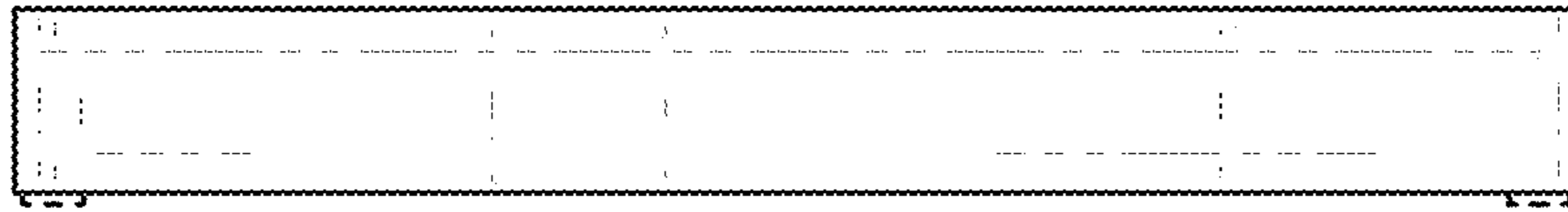


FIG. 2



FIG. 3



FIG. 4



FIG. 5

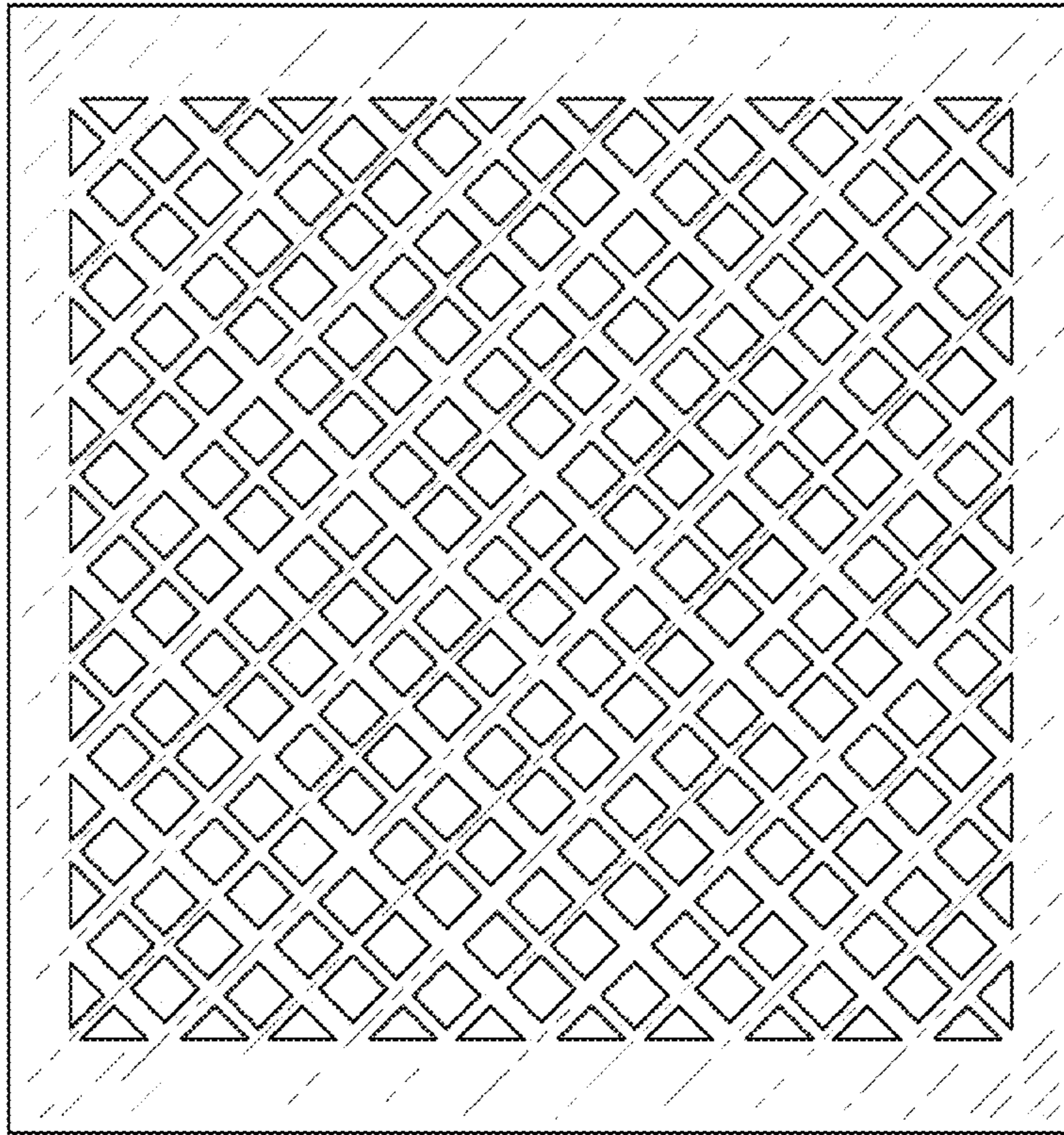


FIG. 6

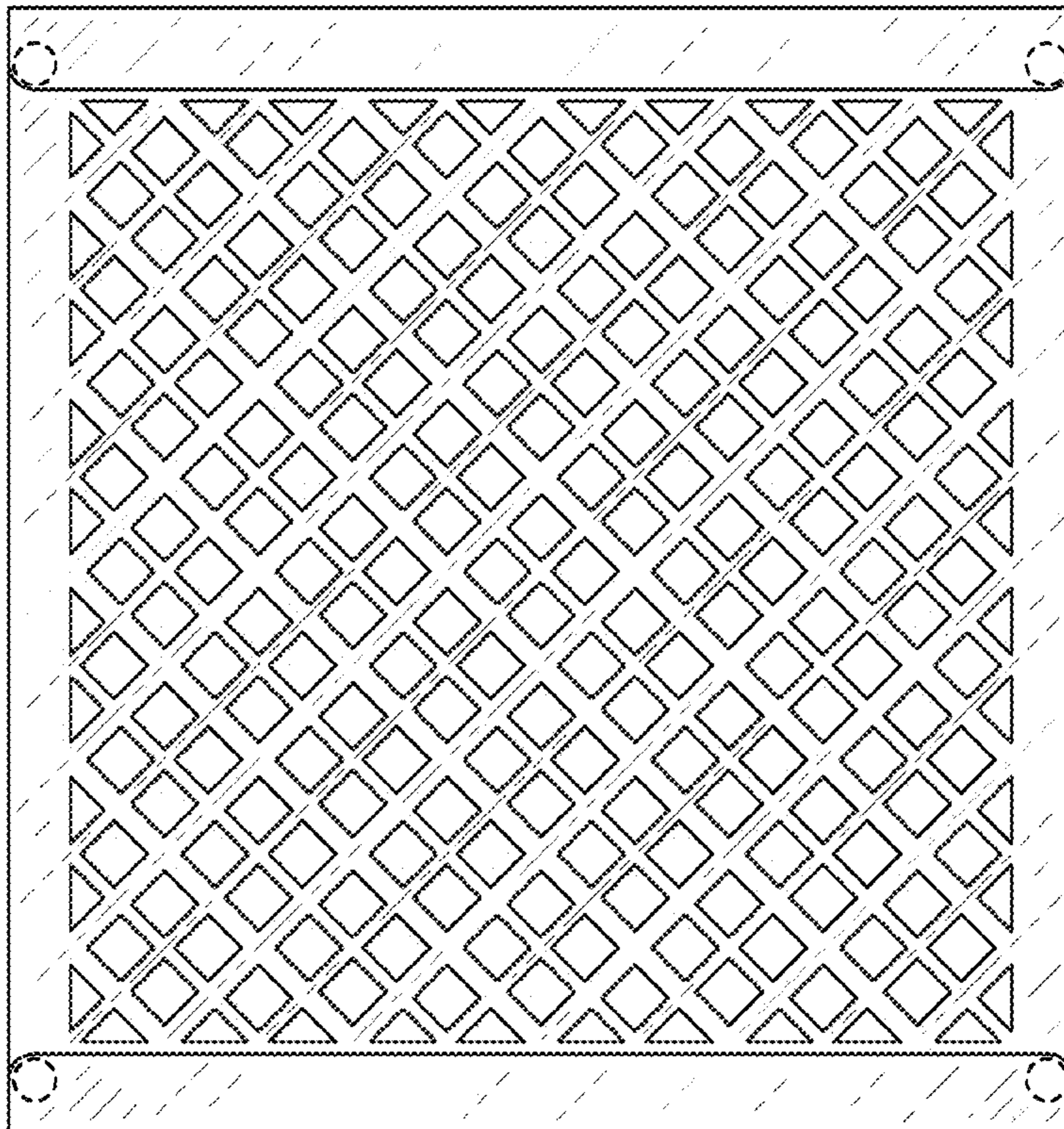


FIG. 7