

US00D890559S

(12) **United States Design Patent**
Grace et al.

(10) **Patent No.:** **US D890,559 S**

(45) **Date of Patent:** **** Jul. 21, 2020**

- (54) **ARMREST**
- (71) Applicant: **GCI Outdoor, Inc.**, Higgauum, CT (US)
- (72) Inventors: **Daniel R. Grace**, Old Saybrook, CT (US); **Yi Tan**, Middletown, CT (US); **Scott Smith**, Hartford, CT (US); **Andrew Reed**, Trumbull, CT (US); **James Sener**, Glastonbury, CT (US)
- (73) Assignee: **GCI OUTDOOR, INC.**, Higganum, CT (US)
- (**) Term: **15 Years**

- D488,011 S 4/2004 Chi
- 6,814,403 B2 * 11/2004 Zheng A47C 7/543
297/16.2
- D571,113 S * 6/2008 Cohen D6/368
- D571,115 S * 6/2008 Cohen D6/368
- D651,010 S * 12/2011 Cohen D6/368
- D672,161 S * 12/2012 McDowell D6/368
- D693,617 S 11/2013 Koski
- D706,050 S * 6/2014 Yang D6/368
- 8,864,222 B2 * 10/2014 Grace A47C 7/54
297/35
- 9,204,729 B2 * 12/2015 Frankel A47C 5/10
- D818,547 S 5/2018 Meredith
- 10,266,071 B2 4/2019 Kleiber
- D848,756 S * 5/2019 Ren D6/368
- 10,569,878 B2 2/2020 Satterfield

(Continued)

- (21) Appl. No.: **29/645,016**
- (22) Filed: **Apr. 23, 2018**
- (51) **LOC (12) Cl.** **06-01**
- (52) **U.S. Cl.**
USPC **D6/716.2**; D6/368
- (58) **Field of Classification Search**
USPC D6/334-336, 368, 371, 373, 374, 375,
D6/376, 379, 380, 716, 716.1, 716.2,
D6/716.3, 716.4
CPC .. A47C 4/28; A47C 4/283; A47C 4/30; A47C
4/42; A47C 4/48; A47C 4/50; A47C 5/04;
A47C 5/06; A47C 5/10; A47C 7/282;
A47C 7/54; A47C 7/543; A47C 7/546
See application file for complete search history.

Primary Examiner — Mimosa De

(74) *Attorney, Agent, or Firm* — Lathrop GPM LLP

(57) **CLAIM**

The ornamental design for an armrest, substantially as shown and described.

DESCRIPTION

FIG. 1 is a front perspective view of an armrest comprising a new, original and ornamental design provided on a folding chair, with the portions in hidden lines providing context and forming no part of the claimed design; FIG. 2 is a front perspective view of the armrest of FIG. 1; FIG. 3 is a front view thereof; FIG. 4 is a rear view thereof; FIG. 5 is a left-hand side view thereof; FIG. 6 is a right-hand side view thereof; FIG. 7 is a top view thereof; and, FIG. 8 is a bottom view thereof.

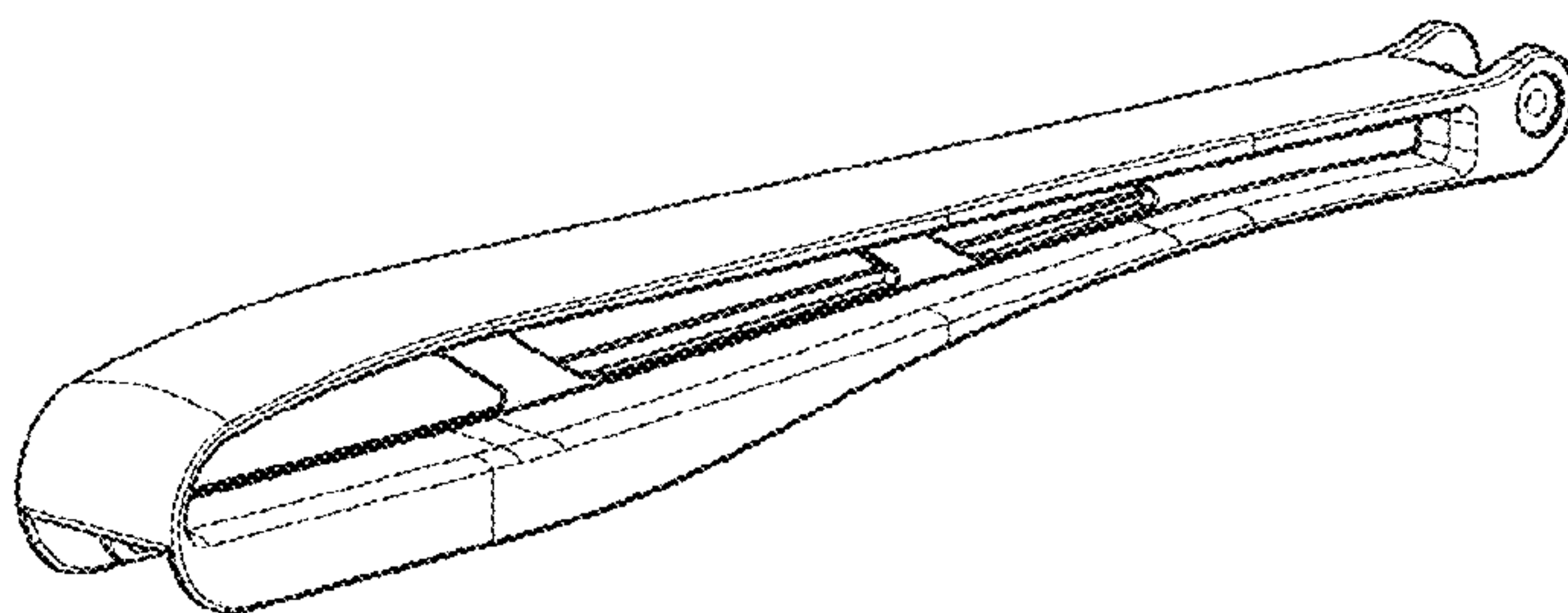
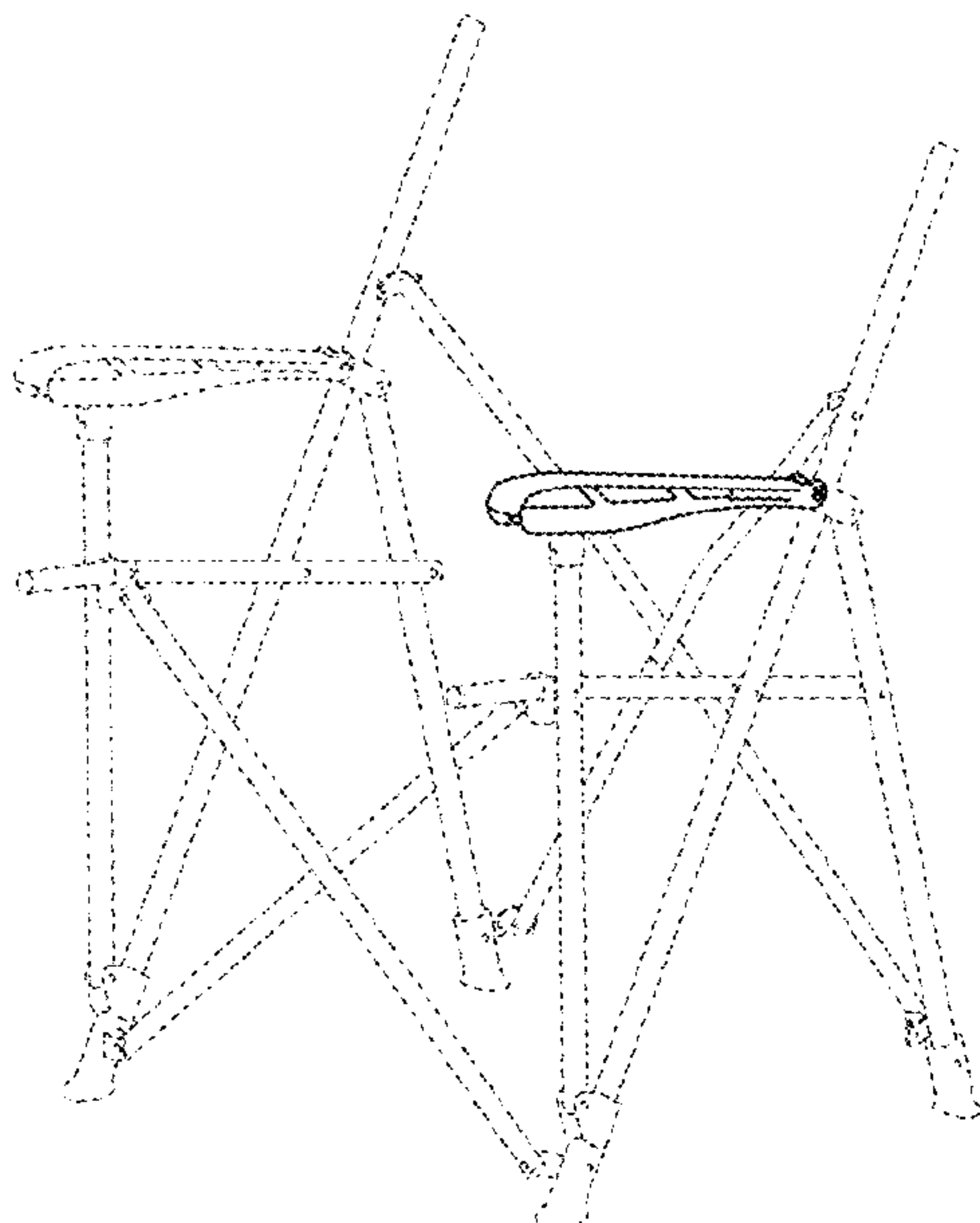
The broken line portions of the figure drawings are included to show unclaimed subject matter only and form no part of the claimed design.

1 Claim, 3 Drawing Sheets

(56) **References Cited**

U.S. PATENT DOCUMENTS

- D189,343 S * 11/1960 Gittings D6/716.3
- D296,094 S 6/1988 Sheek
- D338,791 S 8/1993 Cohen
- D376,060 S 12/1996 Cohen
- D400,184 S 10/1998 Meiller
- D431,382 S * 10/2000 Eloge D6/368
- D457,337 S * 5/2002 Liu D6/368



(56)

References Cited

U.S. PATENT DOCUMENTS

2017/0021928 A1 1/2017 Satterfield
2018/0304790 A1 10/2018 Patil

* cited by examiner

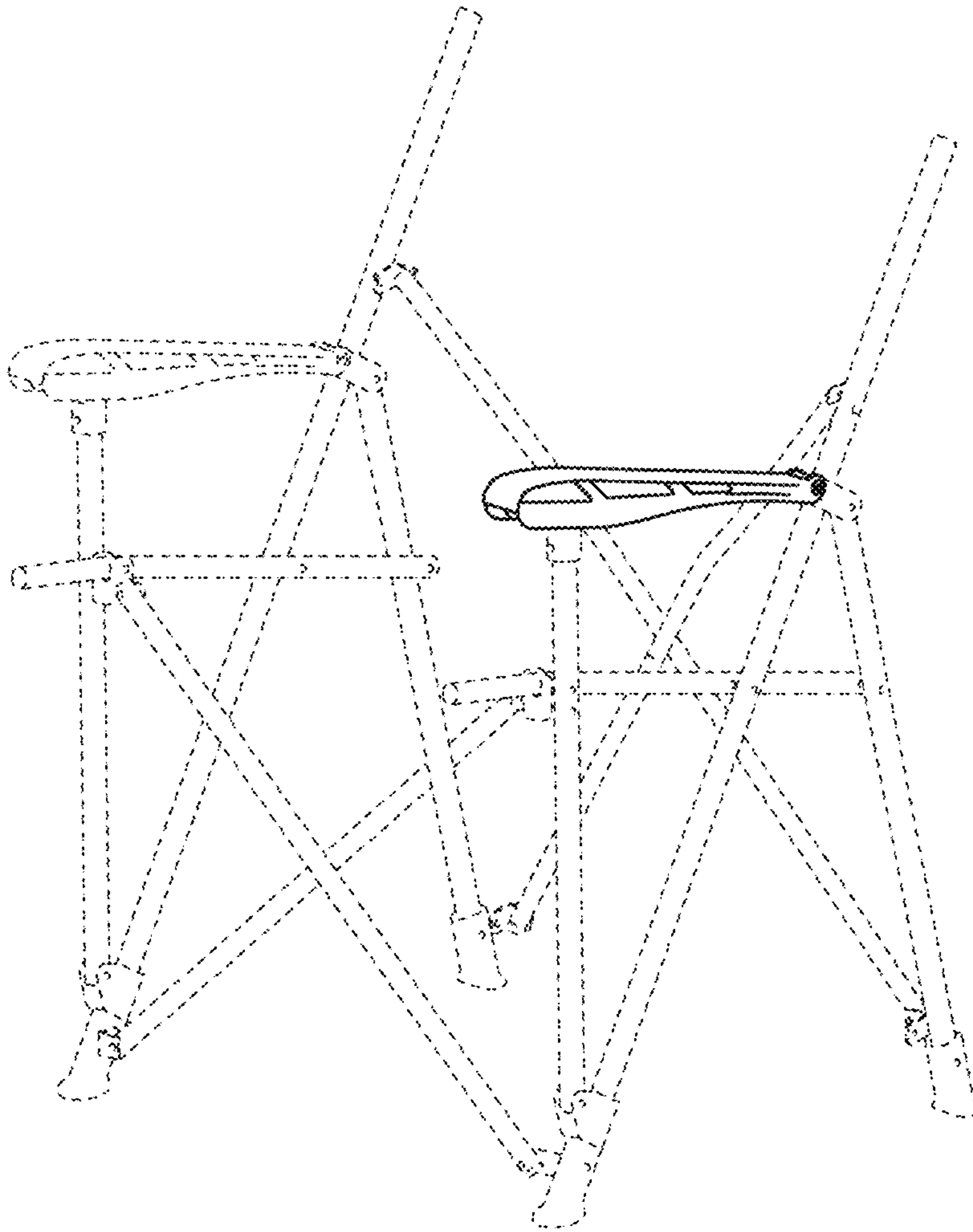


FIG. 1

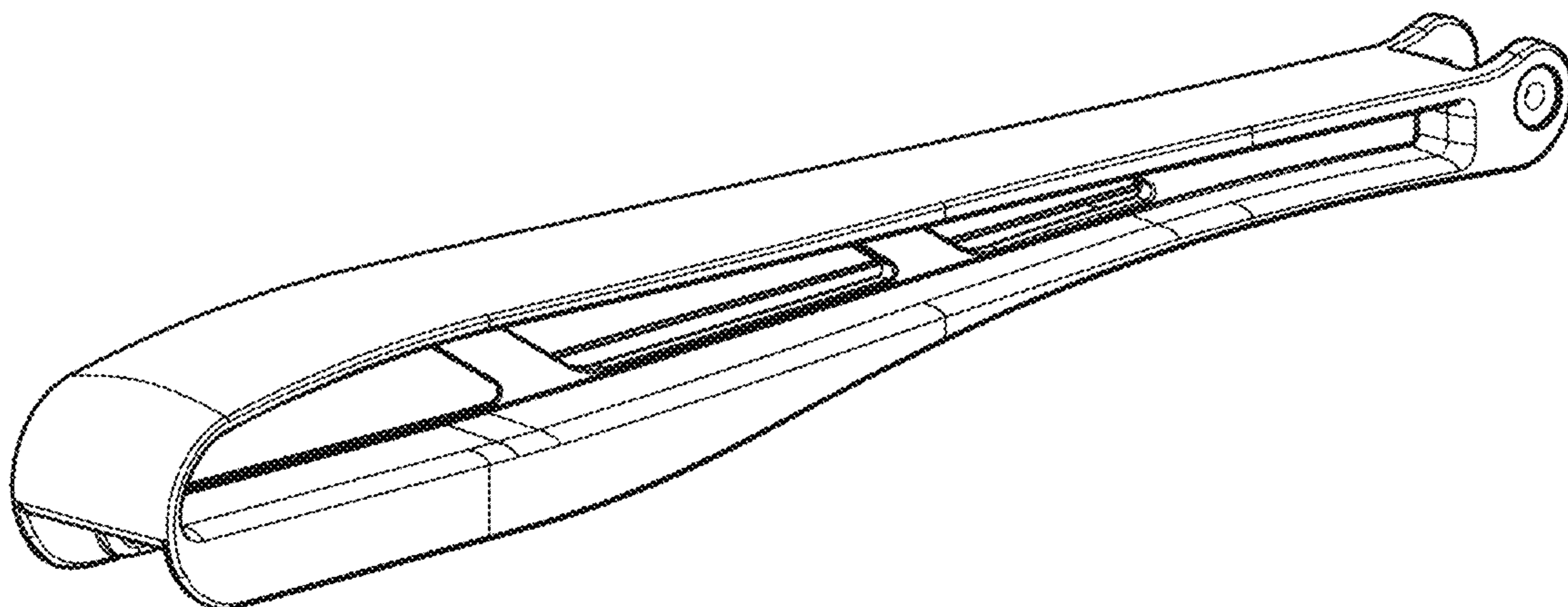


FIG. 2

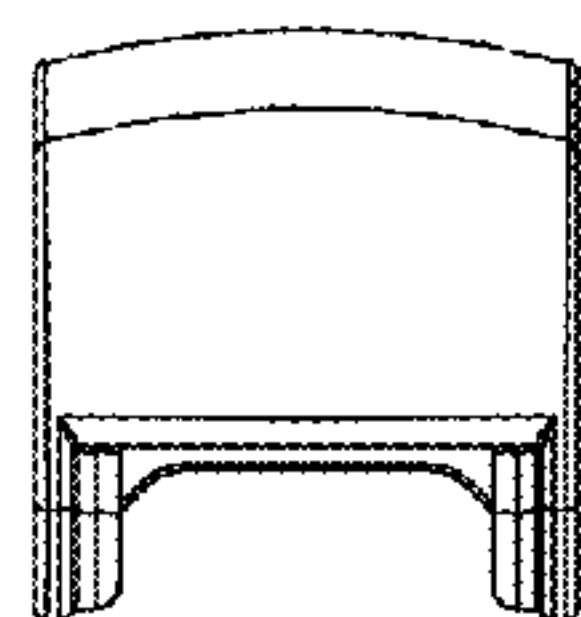


FIG. 3

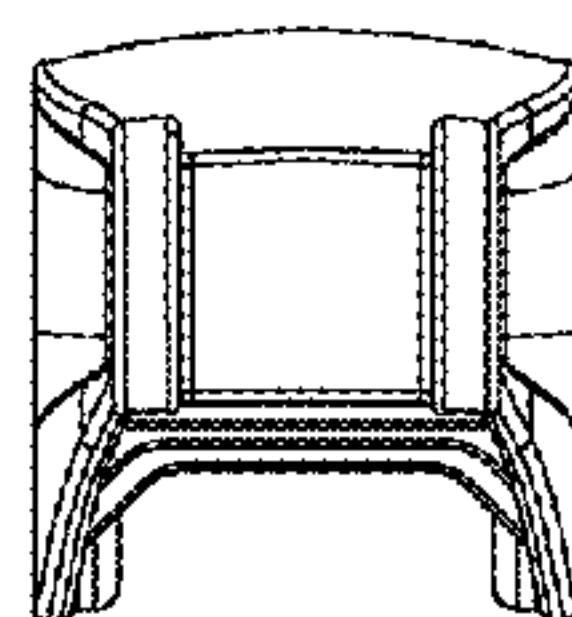


FIG. 4

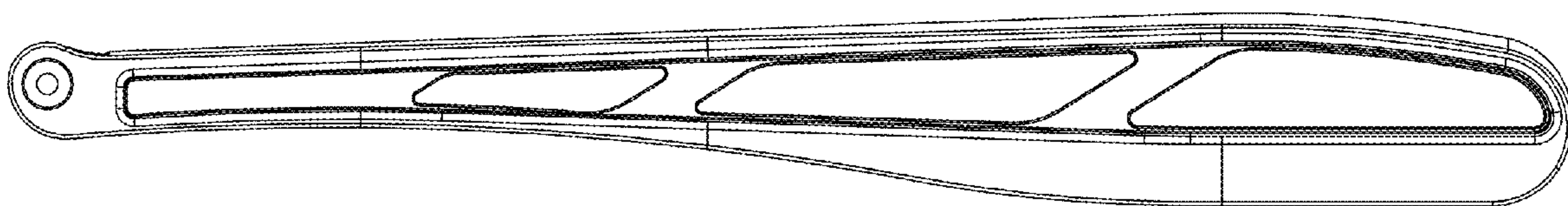


FIG. 5

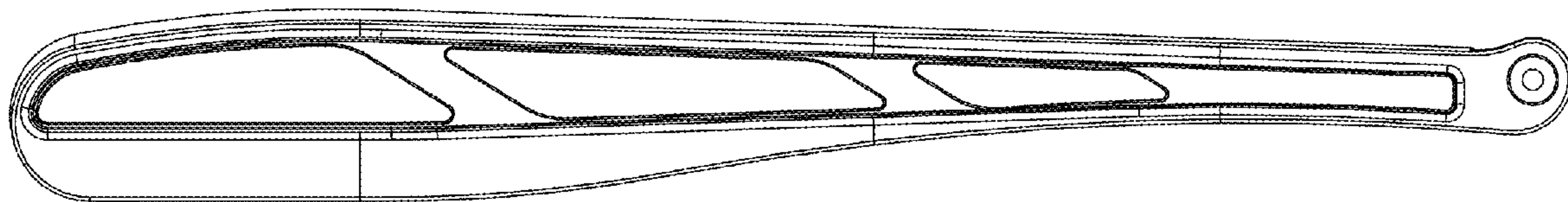


FIG. 6

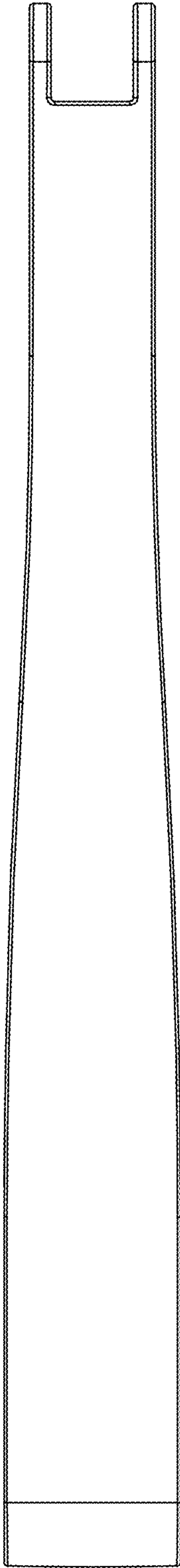


FIG. 7

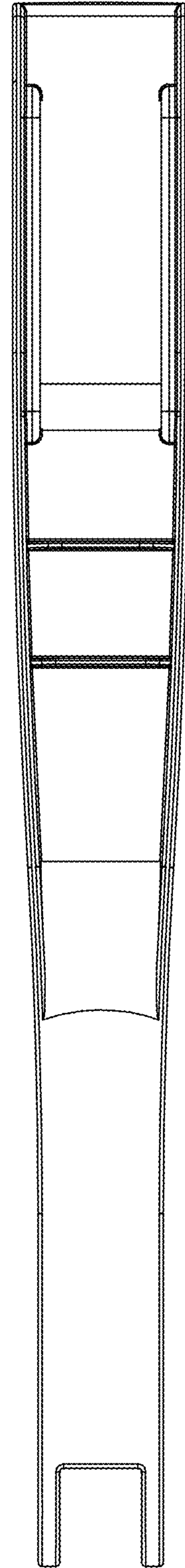


FIG. 8