



US00D890558S

(12) **United States Design Patent**  
**Gam et al.**

(10) **Patent No.:** **US D890,558 S**

(45) **Date of Patent:** **\*\* Jul. 21, 2020**

(54) **CHAIR**

(71) Applicant: **DEDON, GmbH**, Lüneburg (DE)

(72) Inventors: **Stine Gam**, Copenhagen (DK); **Enrico Fratesi**, Copenhagen (DK)

(73) Assignee: **DEDON GmbH**, Lüneburg (DE)

(\*\*) Term: **15 Years**

(21) Appl. No.: **29/638,269**

(22) Filed: **Feb. 26, 2018**

(51) **LOC (12) Cl.** ..... **06-01**

(52) **U.S. Cl.**  
USPC ..... **D6/716; D6/375**

(58) **Field of Classification Search**  
USPC ..... D6/334-336, 371, 372, 373, 374, 375,  
D6/376, 379, 380, 716, 716.1, 716.2,  
D6/716.3, 716.4  
CPC .... A47C 3/04; A47C 3/12; A47C 4/02; A47C  
4/03; A47C 5/04; A47C 5/12; A47C 7/16  
See application file for complete search history.

(56) **References Cited**

**U.S. PATENT DOCUMENTS**

D579,224 S \* 10/2008 Fancelli ..... D6/372  
D596,864 S \* 7/2009 Bergmann ..... D6/375

D656,755 S \* 4/2012 Wanders ..... D6/375  
D686,831 S \* 7/2013 Lemson ..... D6/375  
D820,625 S \* 6/2018 Steinmeijer ..... D6/716  
D825,216 S \* 8/2018 Schaeffer ..... D6/375  
D836,360 S \* 12/2018 Novak ..... D6/375  
D853,742 S \* 7/2019 Novak ..... D6/375  
D867,780 S \* 11/2019 Krusin ..... D6/374  
D869,188 S \* 12/2019 Parker ..... D6/375

\* cited by examiner

*Primary Examiner* — Mimoso De

(74) *Attorney, Agent, or Firm* — MacCord Mason PLLC

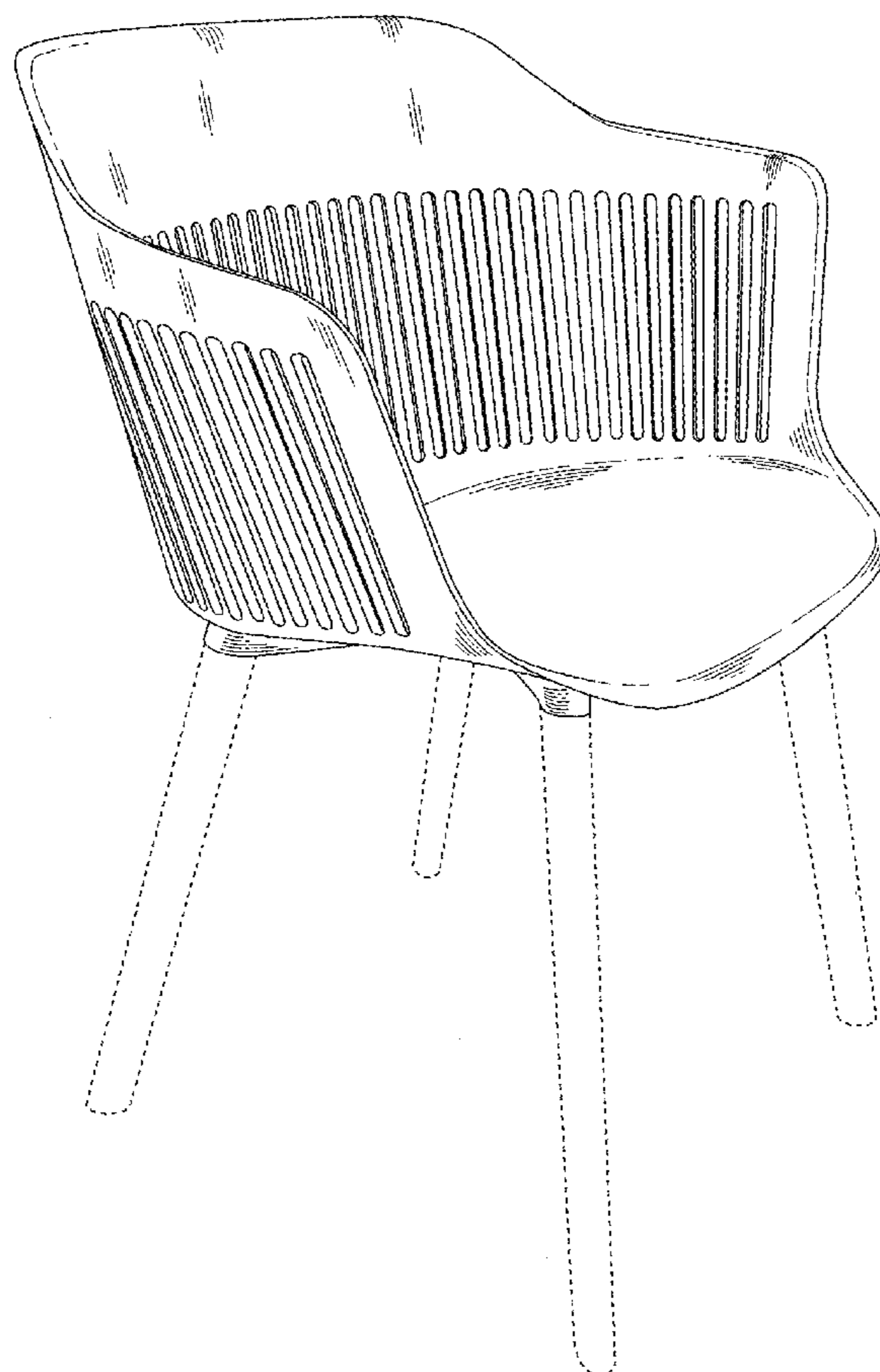
(57) **CLAIM**

The ornamental design for a chair, as shown and described.

**DESCRIPTION**

FIG. 1 is a front perspective view of a chair showing my new design;  
FIG. 2 is a front elevation view thereof;  
FIG. 3 is a left side elevation view, the opposite side being a mirror image thereof;  
FIG. 4 is a rear elevation view thereof; and,  
FIG. 5 is a top plan view thereof.  
The objects shown in dotted lines depict environment and form no part of the claimed design.

**1 Claim, 5 Drawing Sheets**



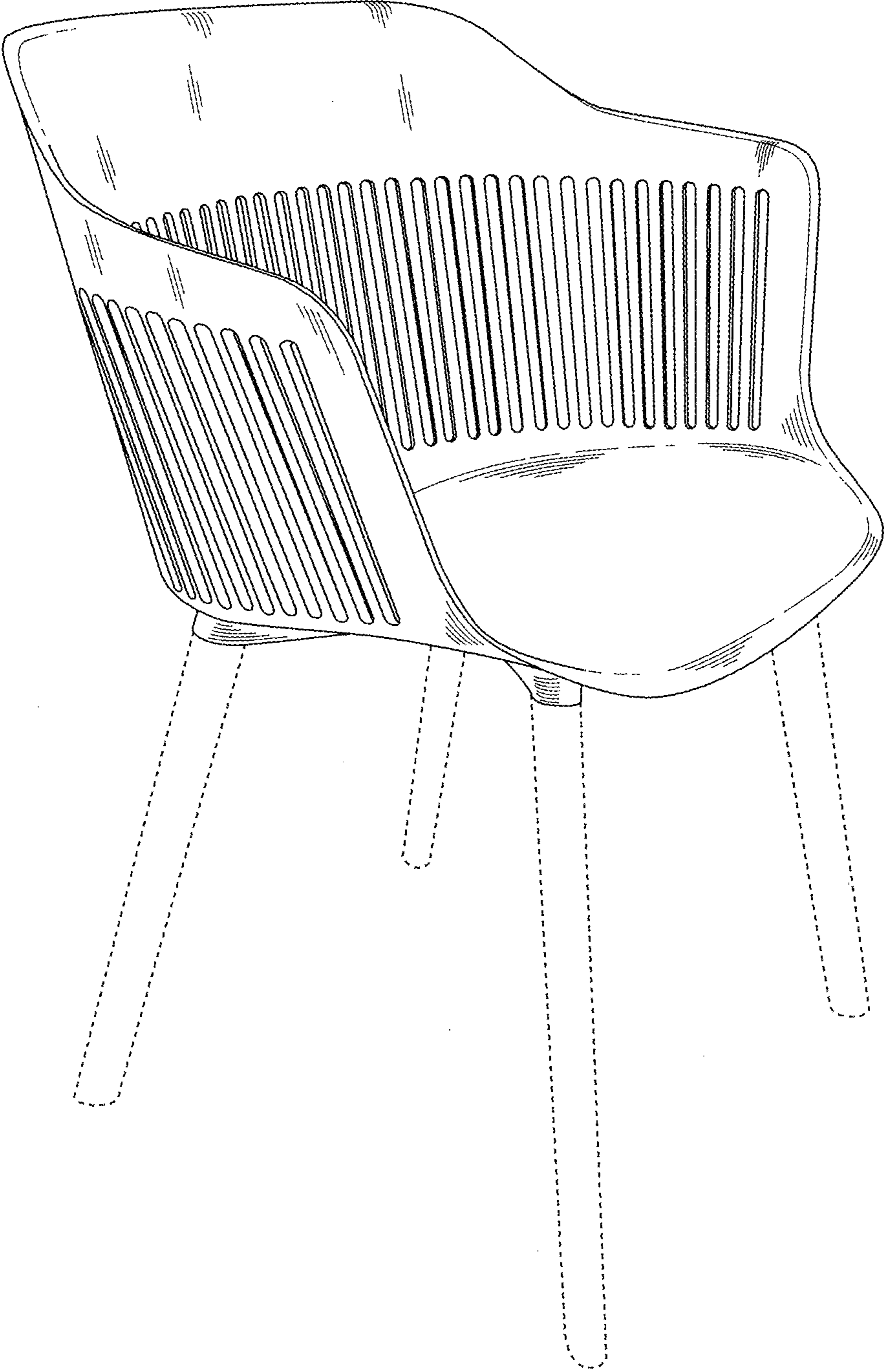


FIG. 1

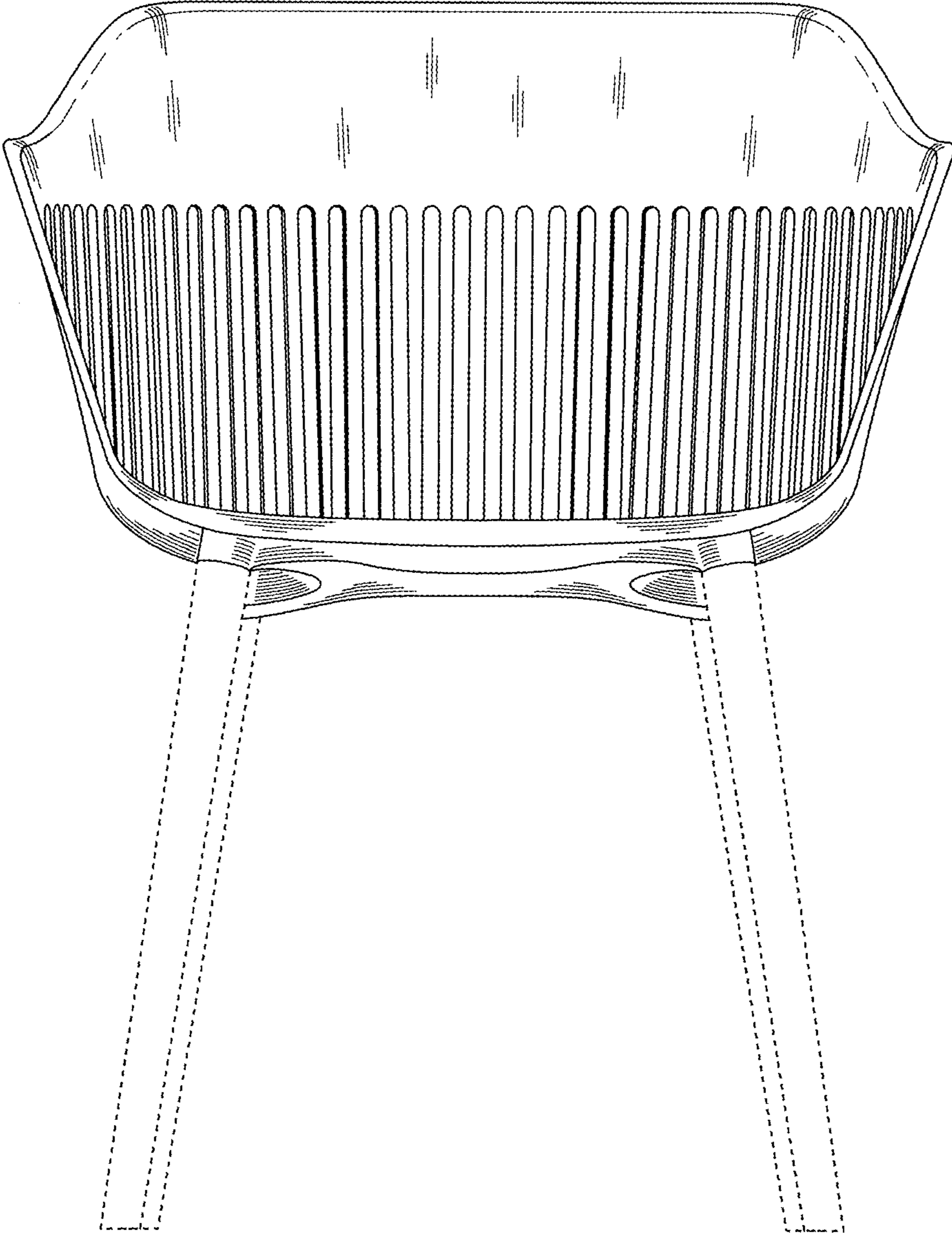


FIG. 2

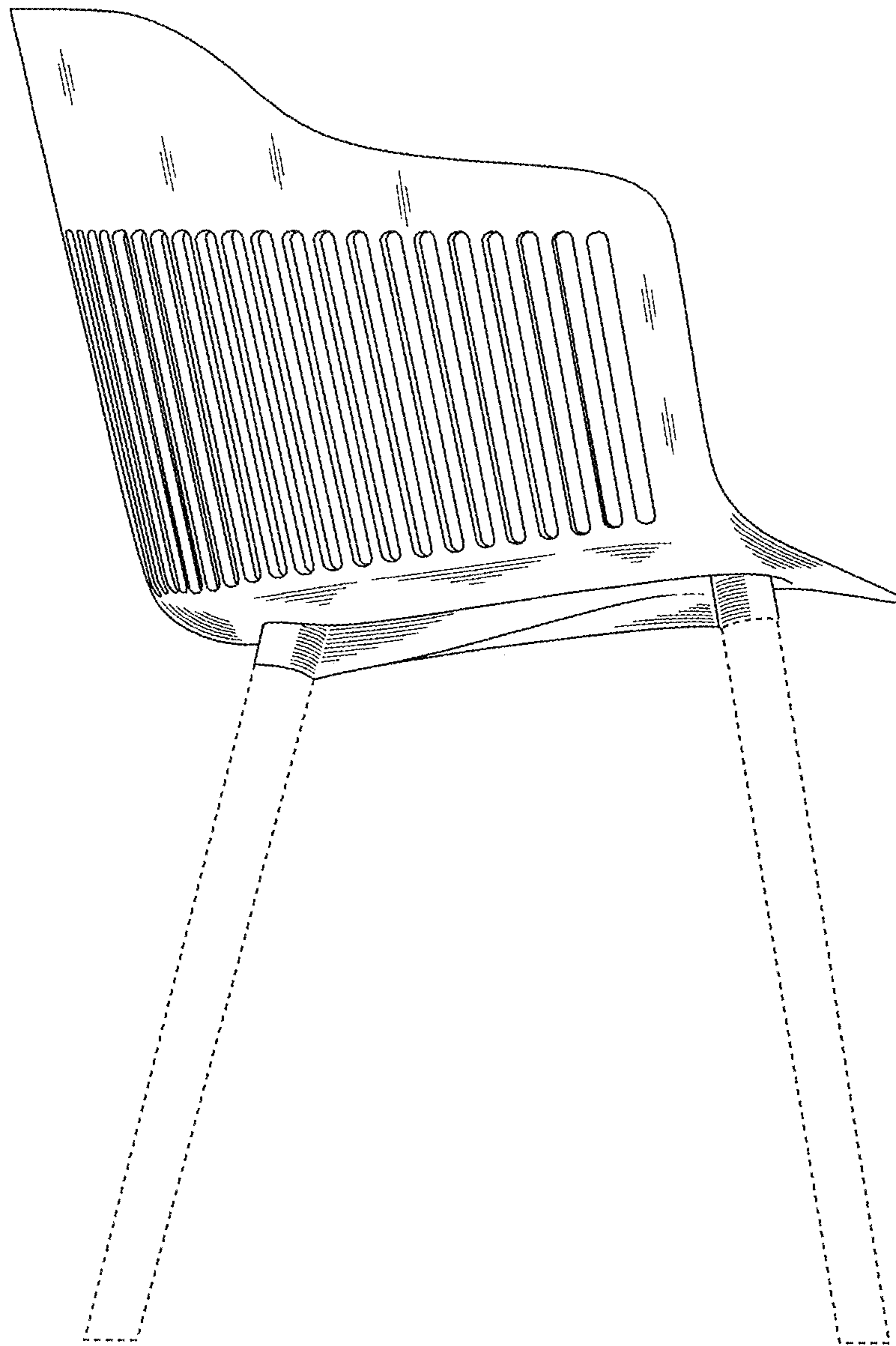


FIG. 3

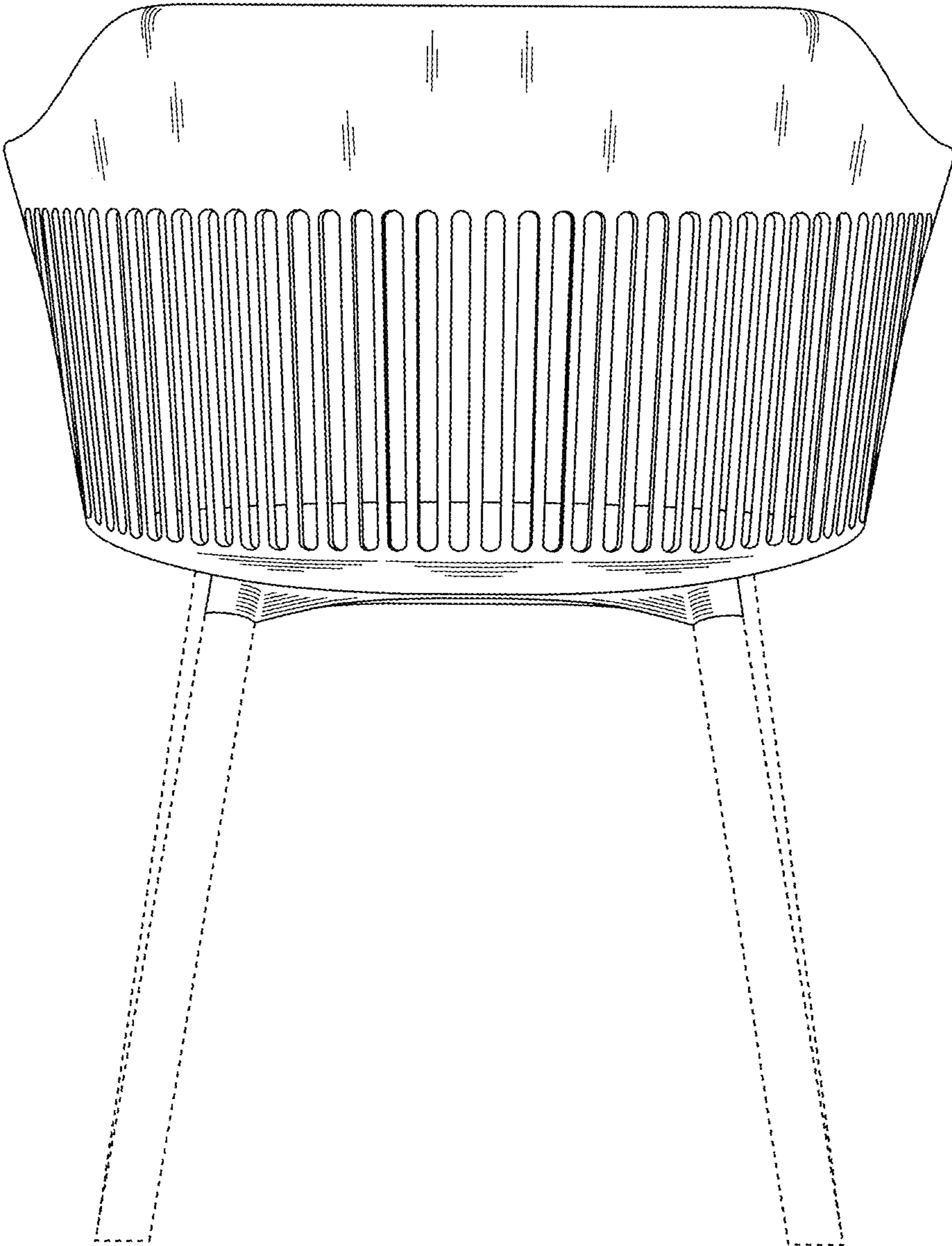


FIG. 4

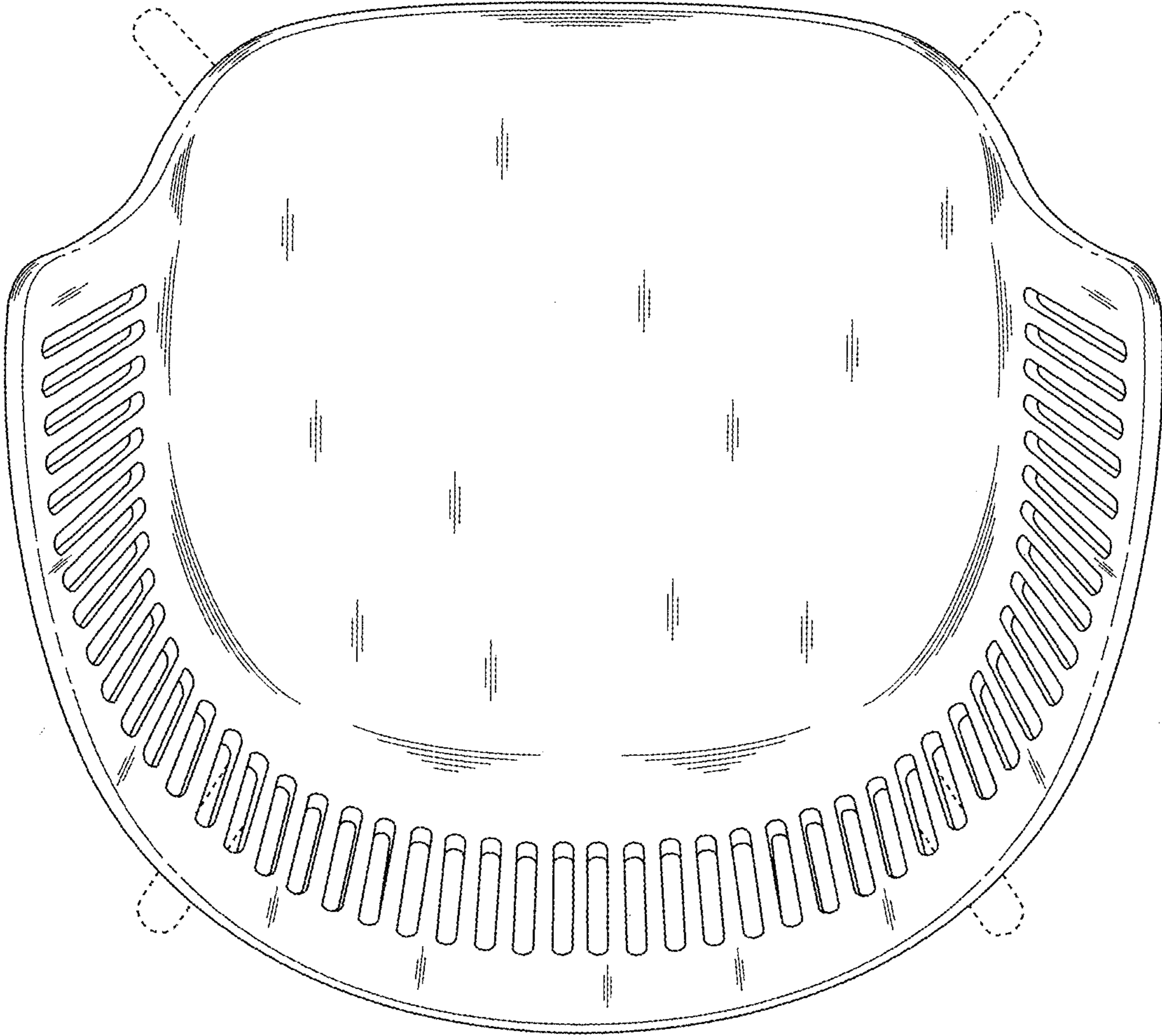


FIG. 5