



US00D890557S

(12) **United States Design Patent** (10) **Patent No.:** **US D890,557 S**
Piva (45) **Date of Patent:** **** Jul. 21, 2020**

- (54) **TABLE**
- (71) Applicant: **RUBELLI S.P.A.**, Venice (IT)
- (72) Inventor: **Marco Piva**, Milan (IT)
- (73) Assignee: **RUBELLI S.p.A.**, Venice (IT)
- (**) Term: **15 Years**
- (21) Appl. No.: **35/504,857**
- (22) Filed: **Apr. 17, 2018**
- (80) **Hague Agreement Data**

Int. Filing Date: **Apr. 17, 2018**
 Int. Reg. No.: **DM/100809**
 Int. Reg. Date: **Apr. 17, 2018**
 Int. Reg. Pub. Date: **May 4, 2018**

- (51) **LOC (12) Cl.** **06-06**
- (52) **U.S. Cl.**
USPC **D6/708**

- (58) **Field of Classification Search**
 USPC ... D6/349, 641, 685-687, 692, 692.1-692.6,
 D6/680, 708, 706.16, 708.23; D7/361
 CPC A47B 7/00; A47B 7/02; A47B 9/00; A47B
 13/00; A47B 13/003; A47B 13/02; A47B
 13/04; A47B 13/06; A47B 13/08; A47B
 13/12; A47B 21/00; A47B 2200/0001;
 A47B 2200/0011; A47B 2200/002
 See application file for complete search history.

(56) **References Cited**

U.S. PATENT DOCUMENTS

- 1,652,942 A * 12/1927 James A47B 3/12
108/159
- D222,624 S * 11/1971 Gianfagna D6/692.6
- D236,785 S * 9/1975 Smith D6/692.6
- D238,543 S * 1/1976 Lechner D7/631
- D258,104 S * 2/1981 Baker D6/692
- D265,364 S * 7/1982 Walker D6/556

- D296,400 S * 6/1988 Conn D6/692
- D337,010 S * 7/1993 Bennett D6/692
- D366,580 S * 1/1996 Berry, Jr. D6/692
- D419,798 S * 2/2000 Schacht D6/692
- D436,764 S * 1/2001 Chalmers D6/692
- D452,784 S * 1/2002 Lewis D6/708
- D554,394 S * 11/2007 Jaramillo D6/692.1
- D612,637 S * 3/2010 Pini D6/690
- D652,656 S * 1/2012 McCurry D6/708
- D666,845 S * 9/2012 Lievore D6/691
- D747,904 S * 1/2016 Haynes D6/692
- D754,996 S * 5/2016 Pedersen D6/708.16
- D793,134 S * 8/2017 Nigro D6/692
- D810,484 S * 2/2018 Velez A47B 3/12
D6/692.1
- D811,786 S * 3/2018 Lim D6/692.3

(Continued)

OTHER PUBLICATIONS

Circle, oval and ellipse—Geometric Shapes Chart & Masters—
Montessori for Everyone [http://www.montessoriforeveryone.com/
Geometric-Shapes-Chart-Masters_p_61.html](http://www.montessoriforeveryone.com/Geometric-Shapes-Chart-Masters_p_61.html) retrieved from the inter-
net on Sep. 12, 2019.*

(Continued)

Primary Examiner — Mary Ann Calabrese
(74) *Attorney, Agent, or Firm* — Thomas|Horstemeyer,
LLP

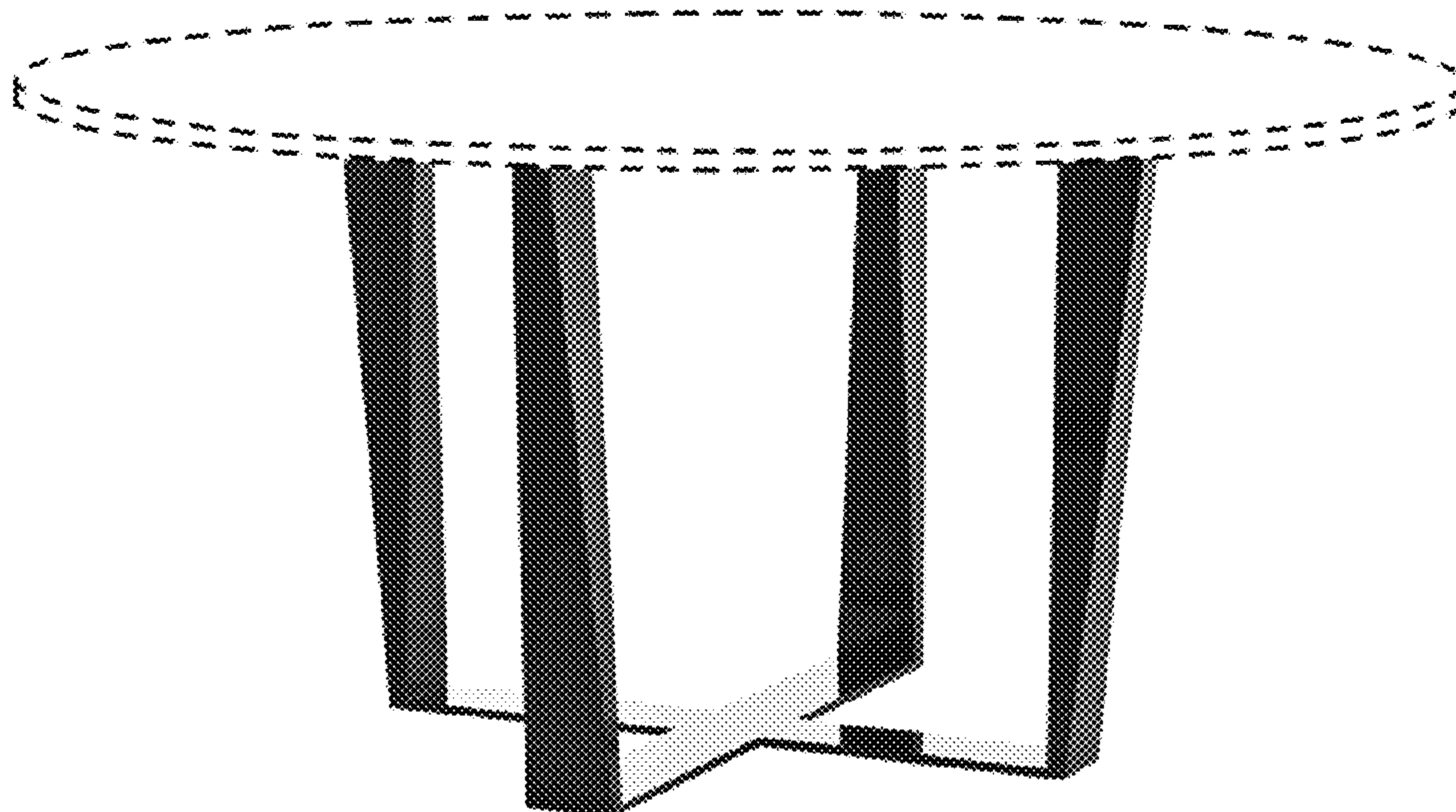
(57) **CLAIM**

The ornamental design for a table, as shown and described.

DESCRIPTION

1.1 is a perspective view of a table;
1.2 is an enlarged fragmentary top perspective view; and
1.3 is an enlarged fragmentary side perspective view.
The top surfaces of the base of the table are reflective, and
surfaces of the legs have a high gloss rendering them
reflective. The broken lines shown in the drawings of the
table are for the purpose of representing the environment
and form no part of the claimed design.

1 Claim, 3 Drawing Sheets



(56)

References Cited

U.S. PATENT DOCUMENTS

D832,629 S * 11/2018 Grossinger D6/692.3
D839,645 S * 2/2019 Itou D6/692

OTHER PUBLICATIONS

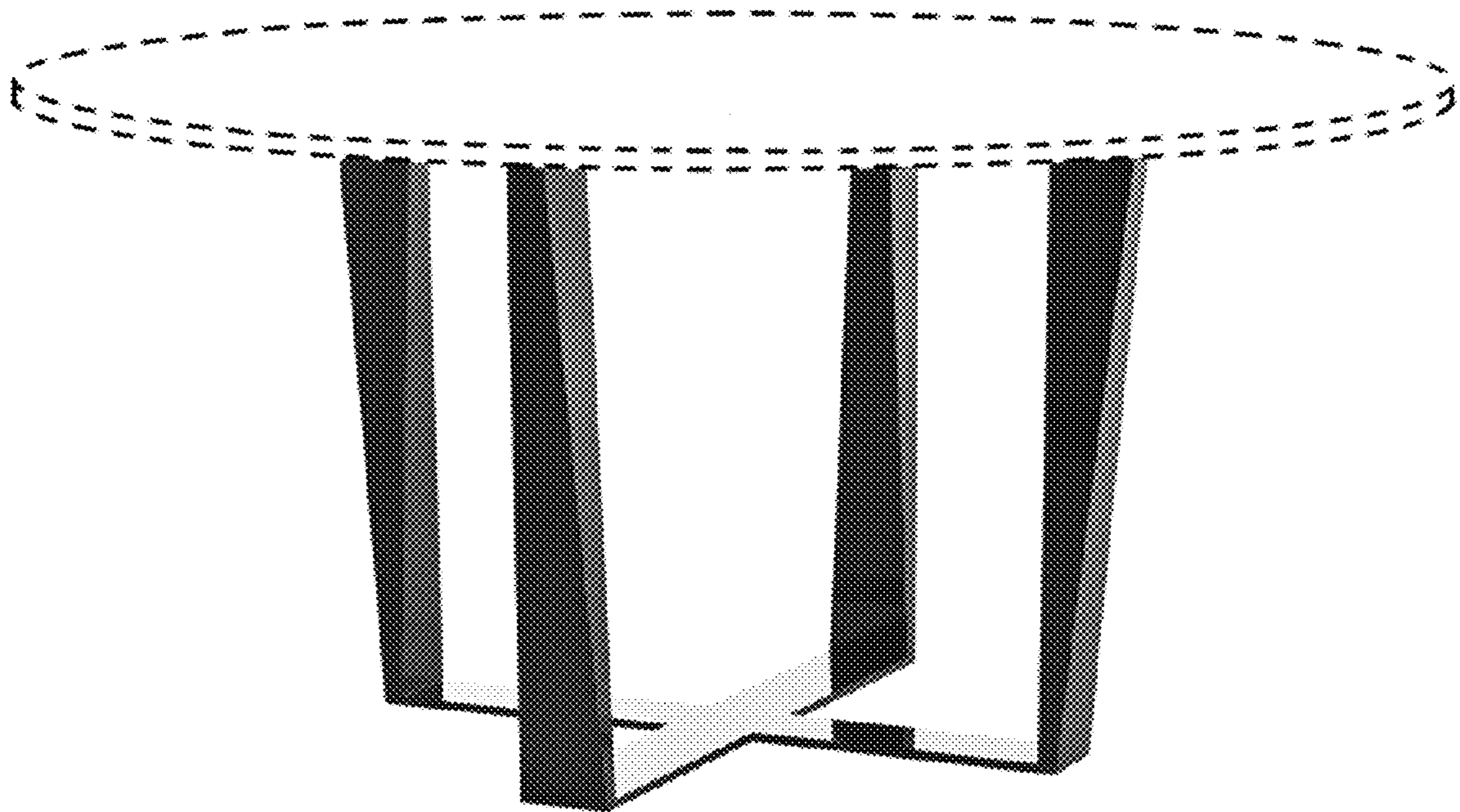
Racetrack Png Oval Pluspng—PinClipart https://www.pclipart.com/pindetail/TJmxwR_racetrack-png-oval-pluspng-race-track-oval-png/ retrieved from the internet on Sep. 12, 2019.*

Oval—ClipArt ETC https://etc.usf.edu/clipart/49900/49902/49902_oval.htm retrieved from the internet on Sep. 12, 2019.*

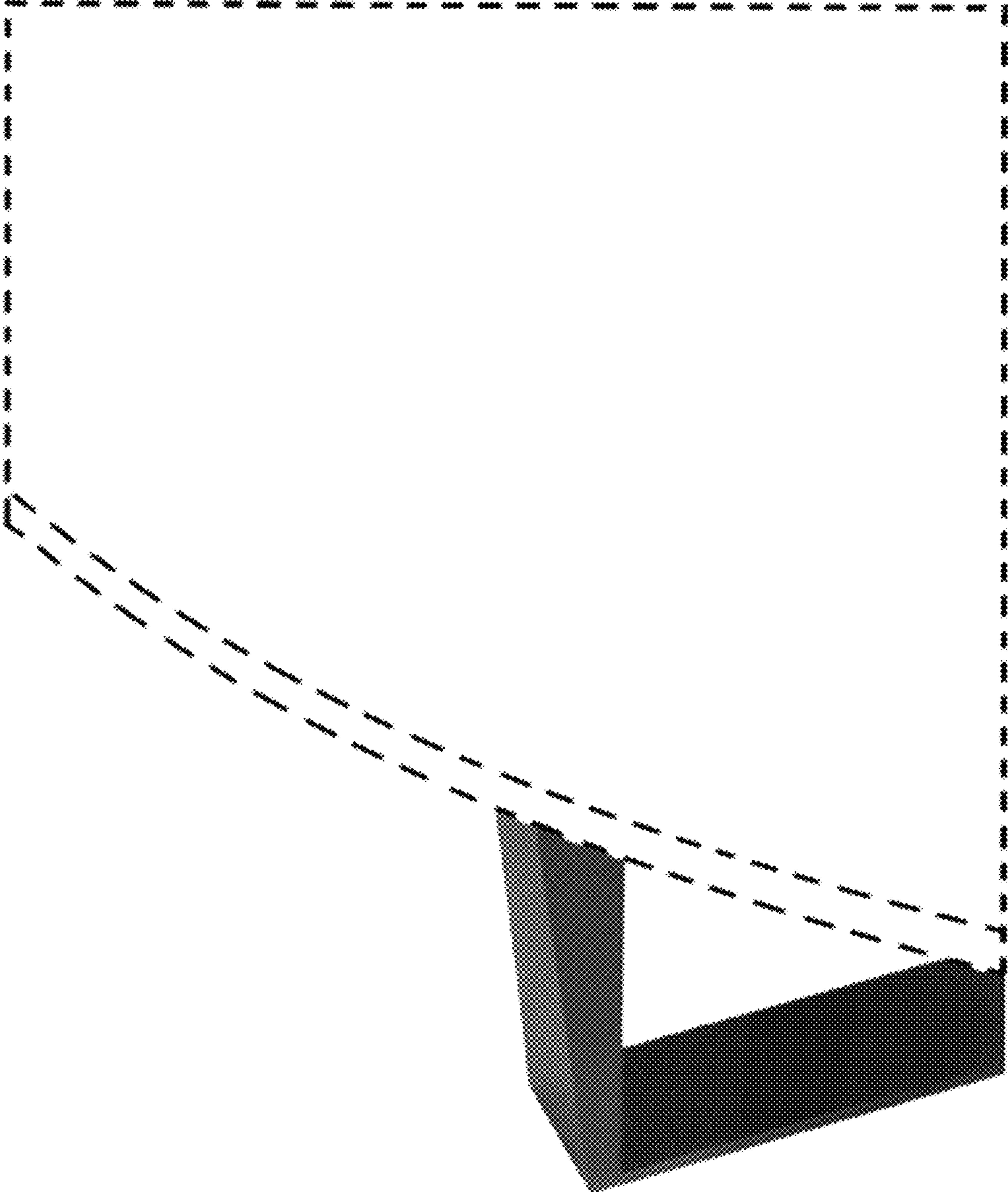
2 Ellipses With Equal Vertical Axes https://etc.usf.edu/clipart/42900/42955/ellipse-12_42955.htm retrieved from the internet on Sep. 12, 2019.*

* cited by examiner

1.1



1.2



1.3

