



US00D890556S

(12) **United States Design Patent** (10) **Patent No.:** **US D890,556 S**  
**Hay** (45) **Date of Patent:** **\*\* Jul. 21, 2020**

(54) **TABLE**

(71) Applicant: **HAY ApS**, Horsens (DK)

(72) Inventor: **Rolf Hay**, Horsens (DK)

(73) Assignee: **HAY APS**, Horsens (DK)

(\*\*) Term: **15 Years**

(21) Appl. No.: **29/658,736**

(22) Filed: **Aug. 2, 2018**

(51) **LOC (12) Cl.** ..... **06-03**

(52) **U.S. Cl.**  
USPC ..... **D6/692**

(58) **Field of Classification Search**

USPC ... D6/349, 685, 686, 690, 691, 691.1–691.9,  
D6/692, 692.1–692.6, 702, 708, 708.17,  
D6/709, 709.16, 709.2, 709.21  
CPC ..... A47B 7/00; A47B 13/00; A47B 13/02;  
A47B 13/04; A47B 13/06; A47B 13/08;  
A47B 13/10; A47B 13/12; A47B 17/00;  
A47B 21/00; A47B 2200/0001; A47B  
2200/0011; A47B 2200/002

See application file for complete search history.

(56) **References Cited**

**U.S. PATENT DOCUMENTS**

D33,437 S \* 10/1900 Haskell ..... D6/708  
1,899,082 A \* 2/1933 Saussure, Jr. .... A47B 3/00  
108/158  
D280,275 S \* 8/1985 Criqui ..... D6/692.4  
D463,164 S \* 9/2002 Davis ..... D6/691  
D477,475 S \* 7/2003 Moore ..... D6/692.4  
D482,215 S \* 11/2003 Chadwick ..... D6/692  
D666,845 S \* 9/2012 Lievore ..... A47B 3/00  
D6/691  
D788,503 S \* 6/2017 Duvigneau ..... D6/691.6  
D793,135 S \* 8/2017 Manente ..... D6/692  
D817,675 S \* 5/2018 Starck ..... D6/692  
D855,363 S \* 8/2019 Grossinger ..... D6/691

**OTHER PUBLICATIONS**

Dover Mid-Century Modern Dining Table with Flared Legs—  
Sadler’s Home Furnishings <https://www.sadlers.com/item/dover->

dining-table-small/1655930307 retrieved from the internet on Mar. 2, 2020.\*

Pyke Kitchen Dinette Dining Table With Flared Legs—Pilaster Designs <https://www.pilasterdesigns.com/products/pyke-kitchen-dinette-dining-table-with-flared-legs-cappuccino-wood-frame-tempered-glass-top-47-rectangular-transitional?variant=12962328707127> retrieved from the internet on Mar. 2, 2020.\*

Hay Copenhagen CPH20 Table—Mohd Design Shop [https://shop.mohd.it/en/copenhagen-cph20-table.html?\\_cf\\_chl\\_jschl\\_tk\\_=e8486c404112c1171e47072990f96edd5f777fdd-1583161631-0-ASvufeC1wmD8PV-IMaEhtNWEAC0ESAMcCOLZ0nWv3IP8qqAVNXuT5jQT0GH8ek2vB3gKKKblz7a-](https://shop.mohd.it/en/copenhagen-cph20-table.html?_cf_chl_jschl_tk_=e8486c404112c1171e47072990f96edd5f777fdd-1583161631-0-ASvufeC1wmD8PV-IMaEhtNWEAC0ESAMcCOLZ0nWv3IP8qqAVNXuT5jQT0GH8ek2vB3gKKKblz7a-) retrieved from the internet on Mar. 2, 2020.\*

\* cited by examiner

*Primary Examiner* — Mary Ann Calabrese

(74) *Attorney, Agent, or Firm* — Cantor Colburn LLP

(57) **CLAIM**

I claim, the ornamental design for a table, as shown and described.

**DESCRIPTION**

FIG. 1 is a perspective view of a table, showing our new design;

FIG. 2 is a side view thereof, the opposite side view being a mirror image thereof;

FIG. 3 is a front view thereof, the opposite rear view being a mirror image thereof;

FIG. 4 is a top view thereof;

FIG. 5 is a bottom view thereof;

FIG. 6 is a perspective view thereof, showing a second embodiment of my new design;

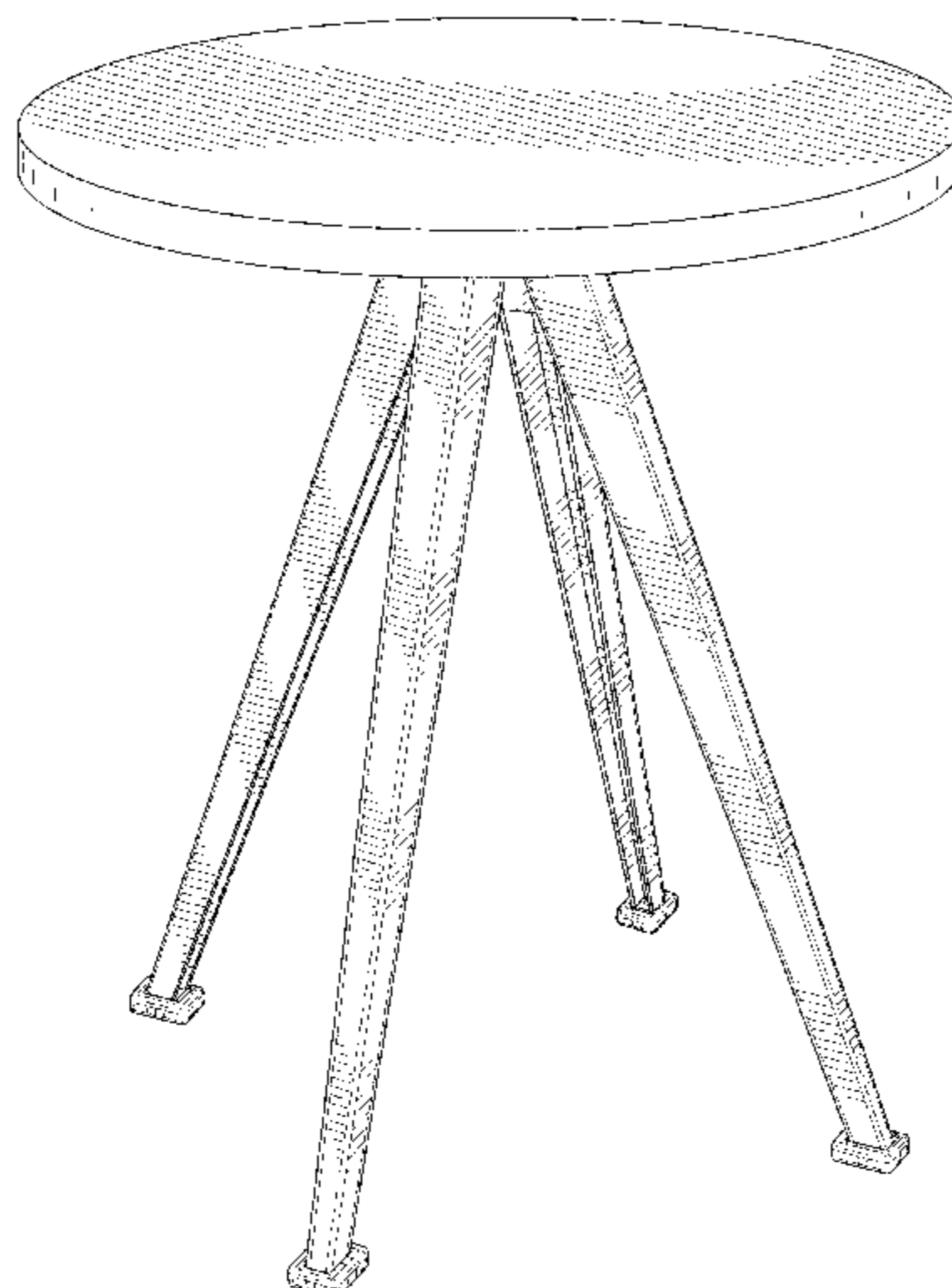
FIG. 7 is a side view thereof, the opposite side view being a mirror image thereof;

FIG. 8 is a front view thereof, the opposite rear view being a mirror image thereof;

FIG. 9 is a top view thereof; and,

FIG. 10 is a bottom view thereof.

**1 Claim, 10 Drawing Sheets**



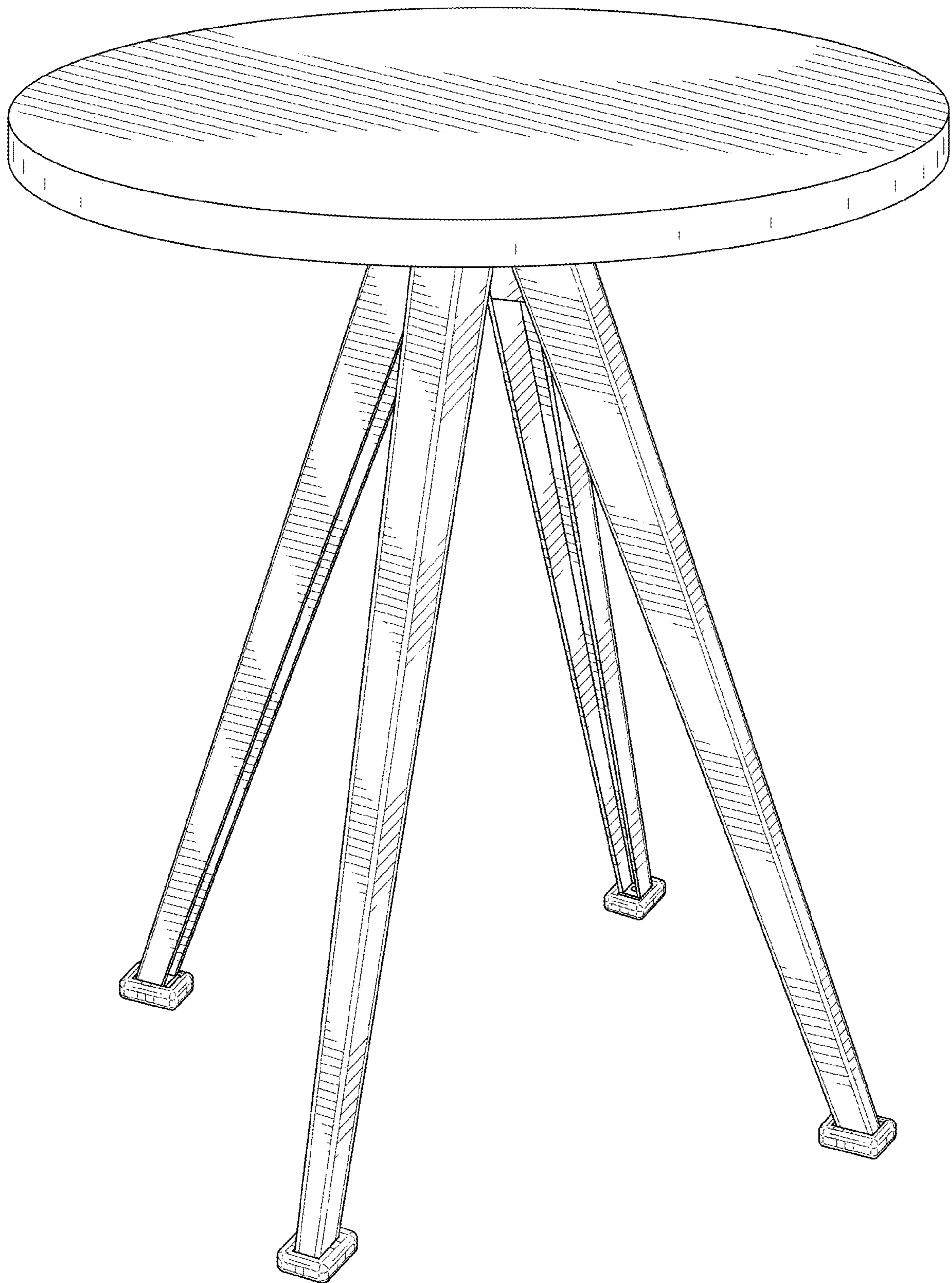


FIG. 1

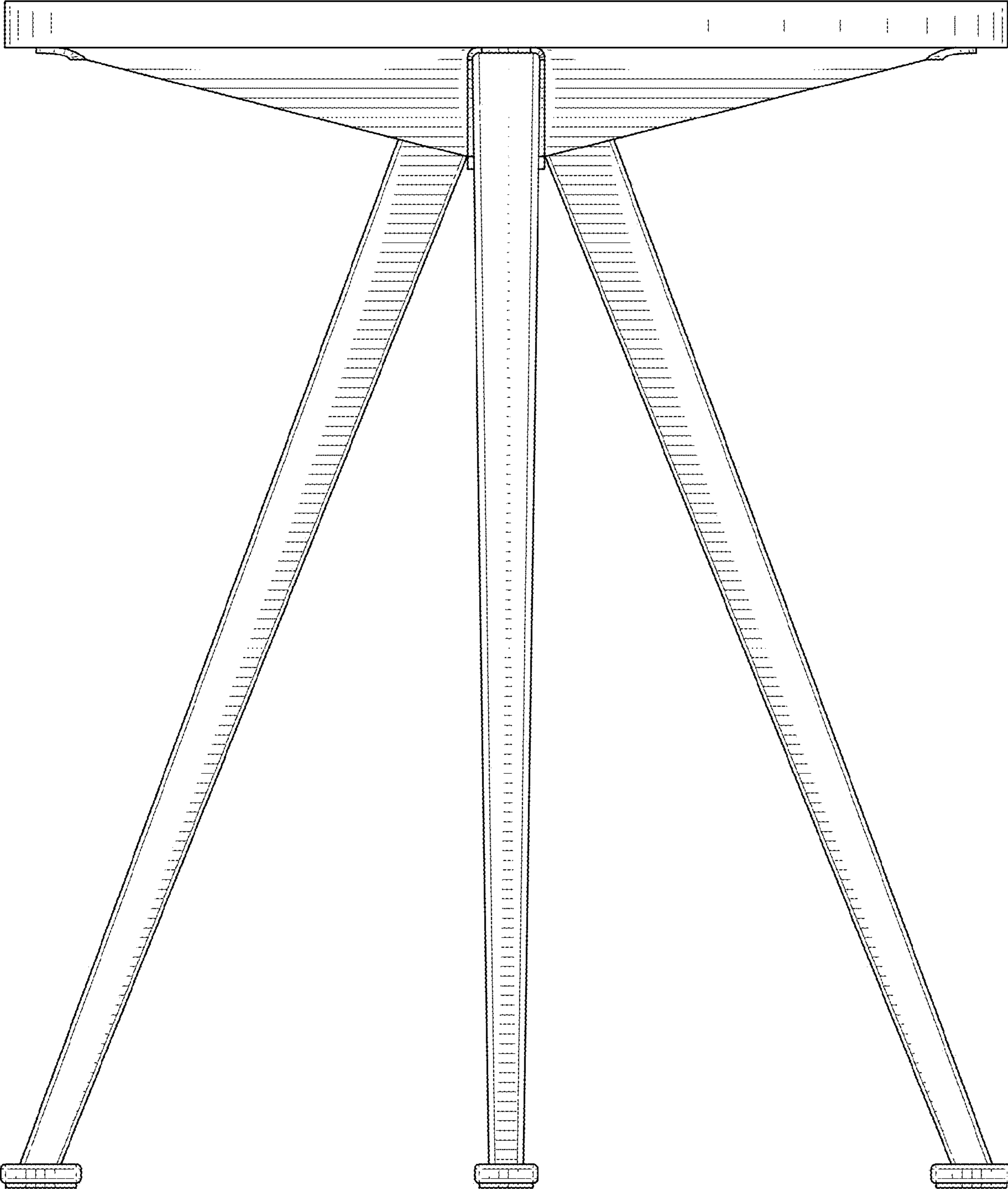


FIG. 2

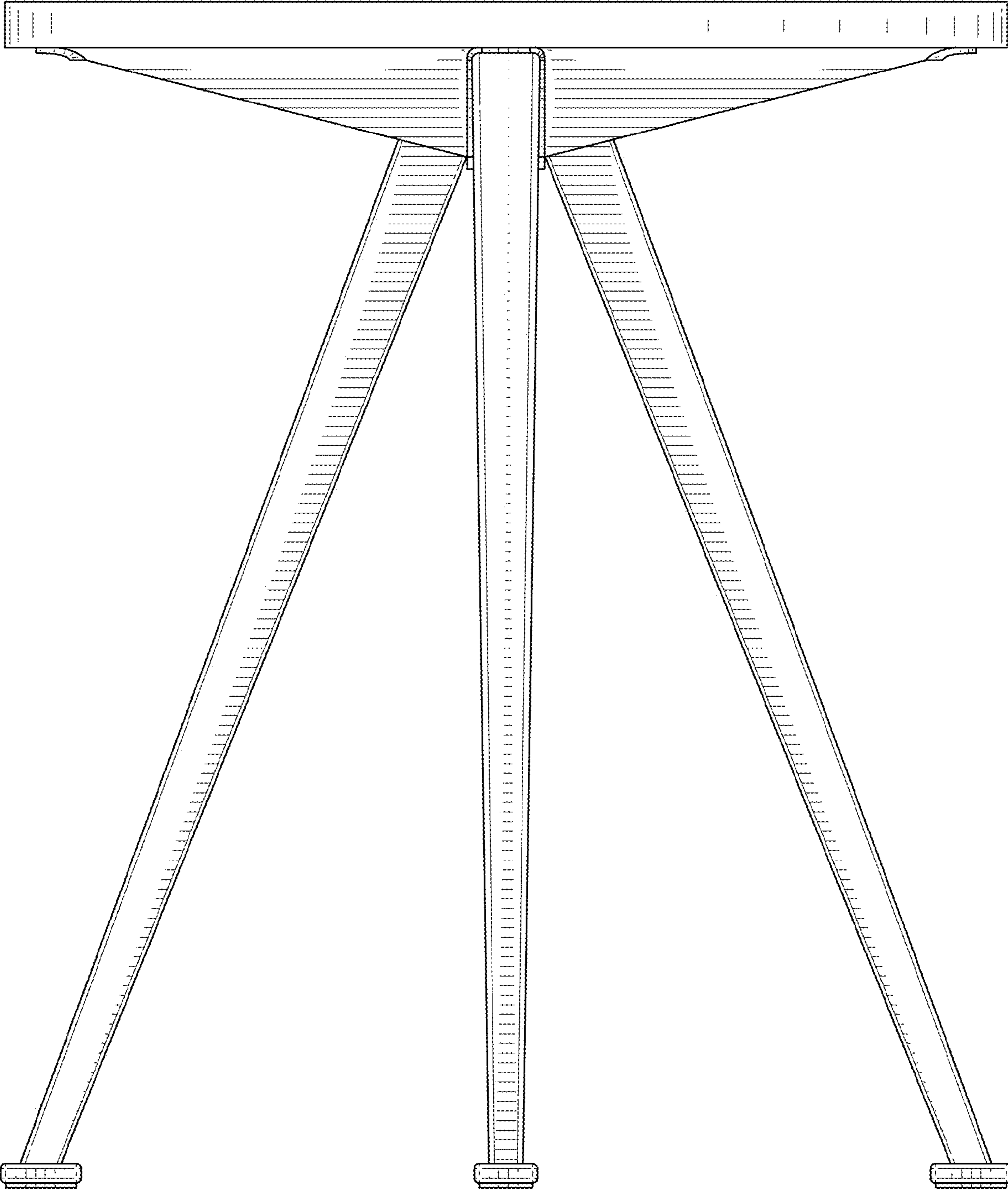


FIG. 3

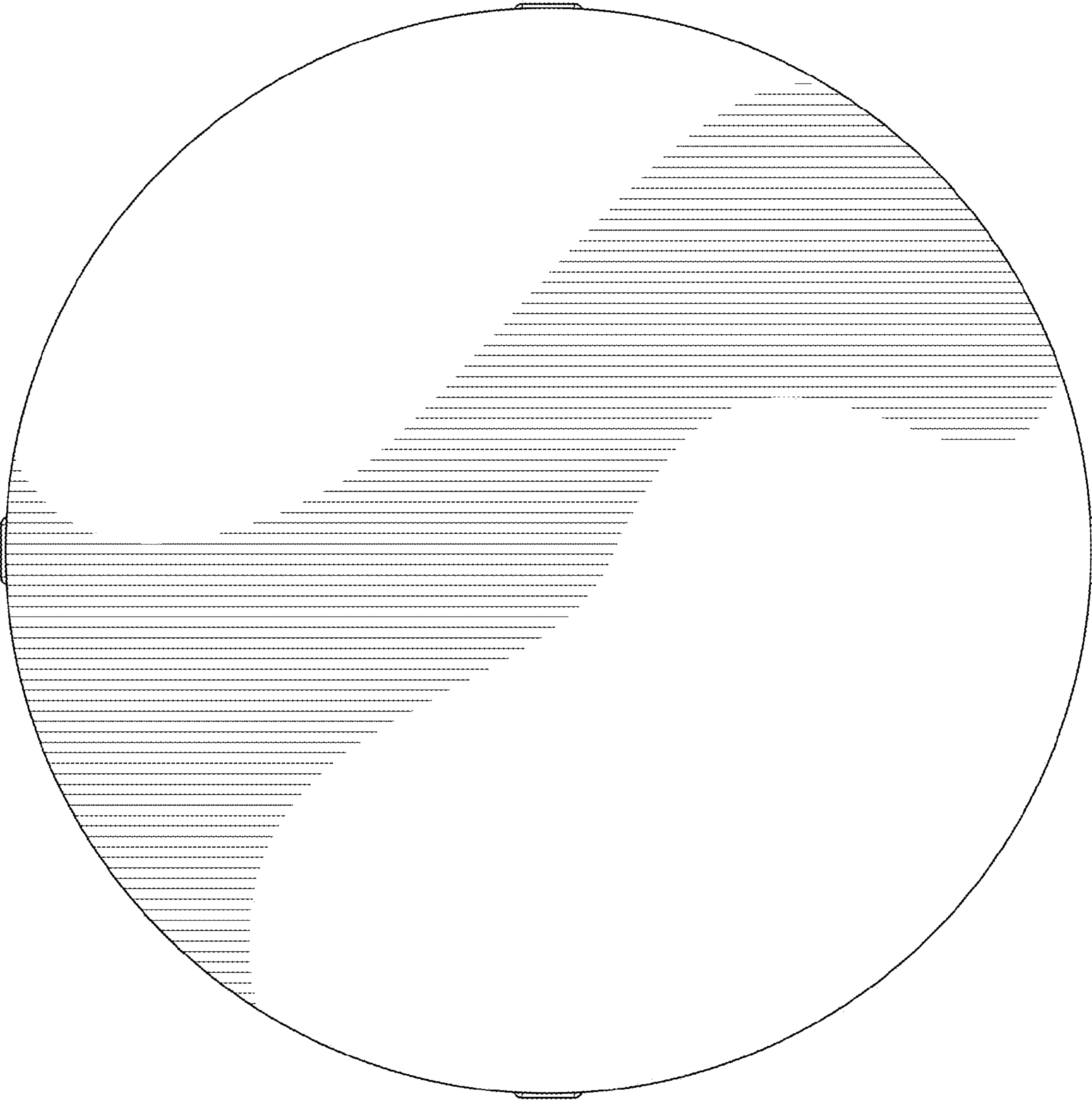


FIG. 4

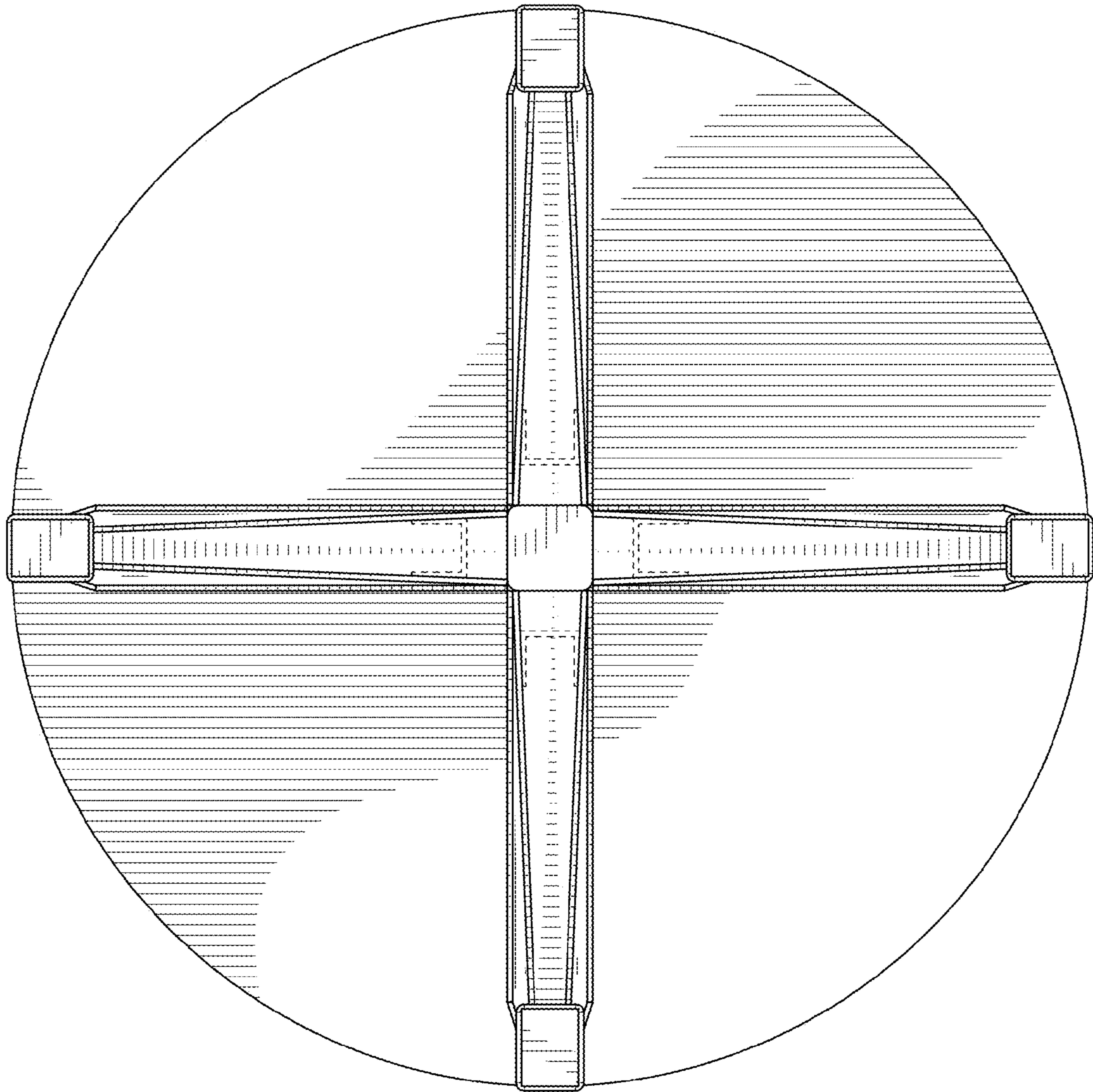


FIG. 5



FIG. 6

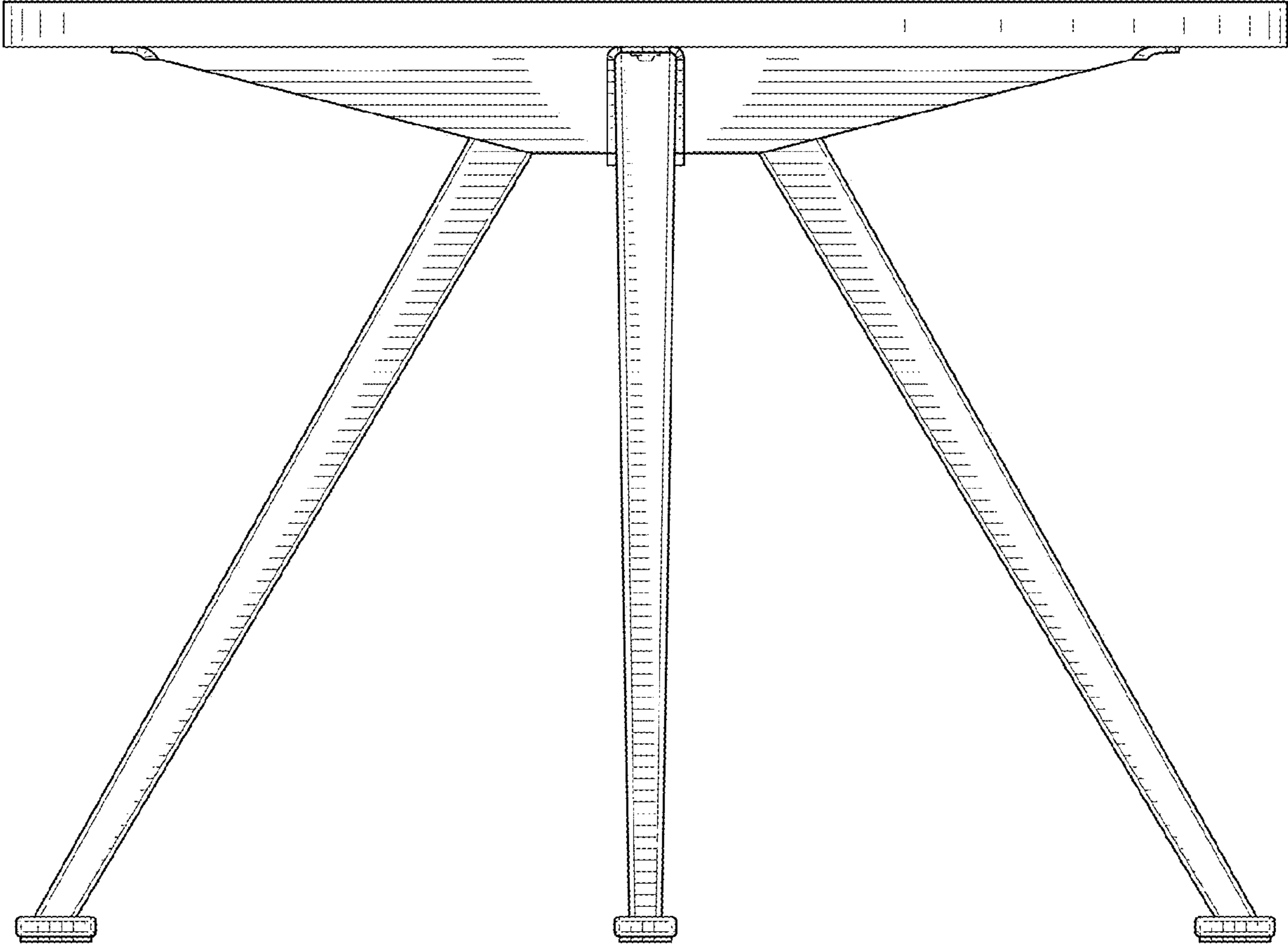


FIG. 7



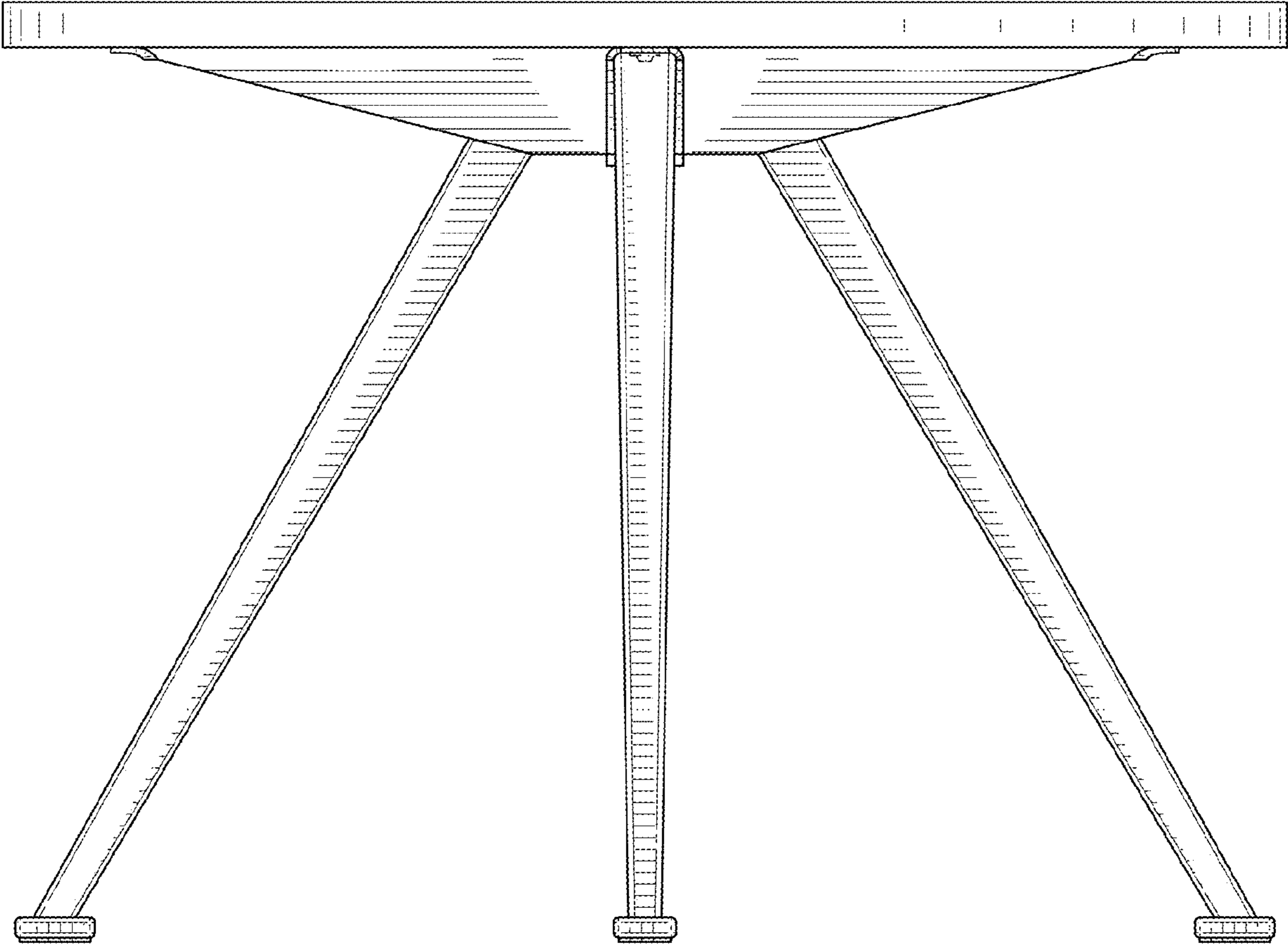


FIG. 8

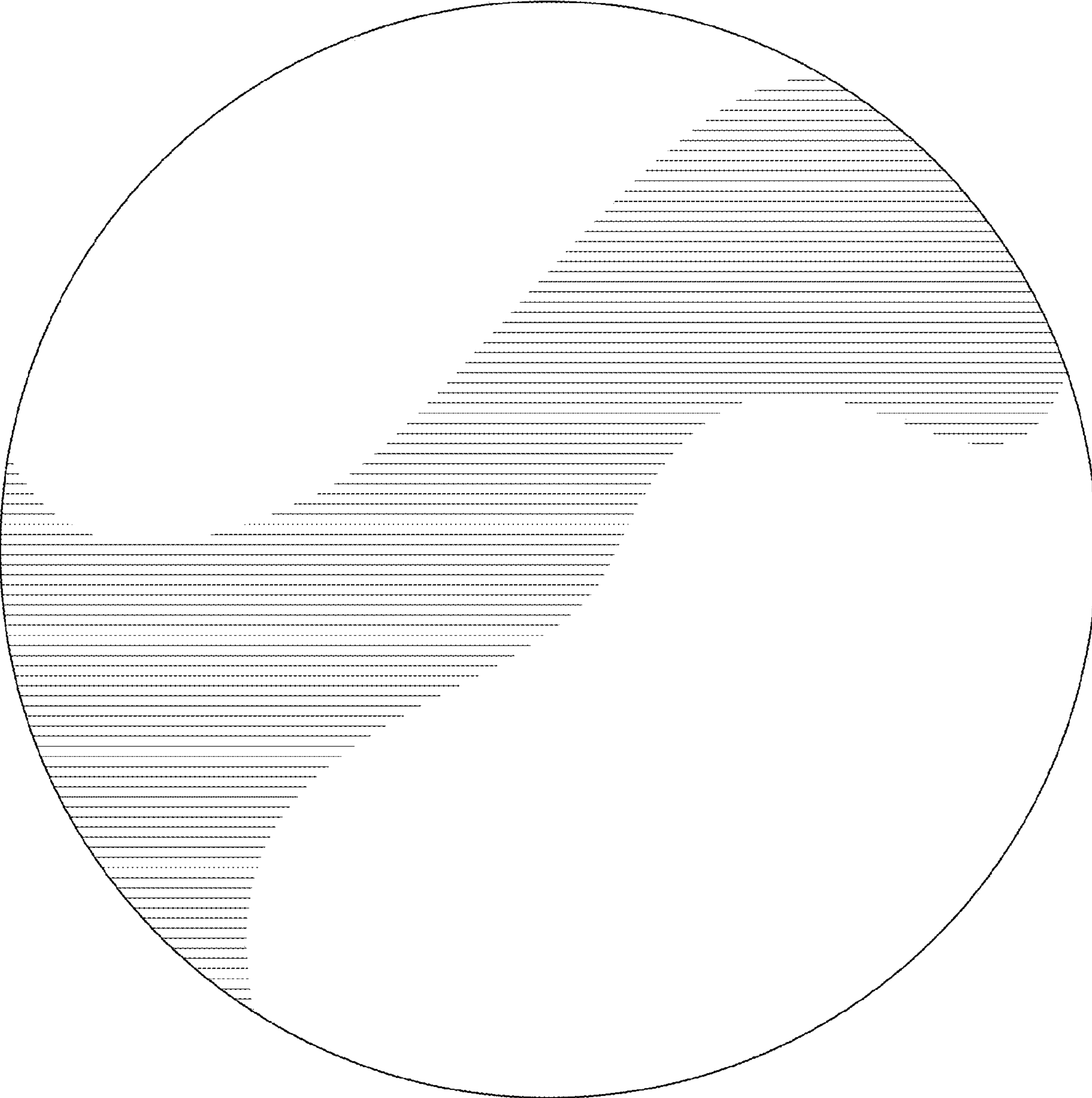


FIG. 9

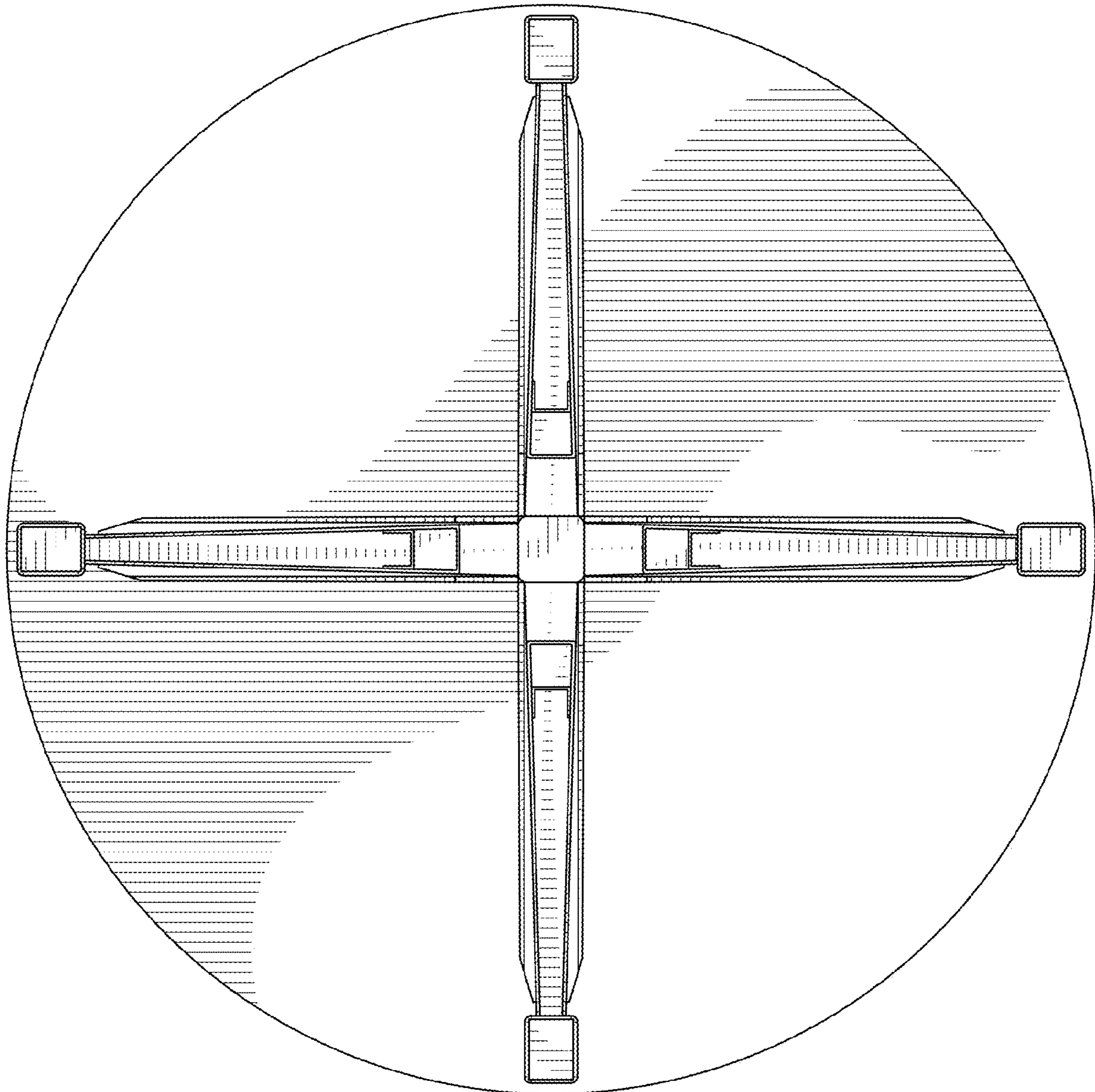


FIG. 10