



US00D890554S

(12) **United States Design Patent** (10) **Patent No.:** **US D890,554 S**  
**Nie** (45) **Date of Patent:** **\*\* Jul. 21, 2020**

(54) **CAN RACK ORGANIZER**  
(71) Applicant: **Dongguan Hanwen Trading Co., Ltd.,**  
Dongguan (CN)  
(72) Inventor: **Qingzhi Nie,** Dongguan (CN)  
(\*\*) Term: **15 Years**  
(21) Appl. No.: **29/693,129**  
(22) Filed: **May 31, 2019**  
(51) **LOC (12) Cl.** ..... **06-06**  
(52) **U.S. Cl.**  
USPC ..... **D6/675.4**  
(58) **Field of Classification Search**  
USPC ..... D6/672, 675, 675.1, 675.2, 675.3, 675.4,  
D6/675.5; D7/600.1, 600.4, 601, 602,  
D7/701  
CPC ..... A47F 1/00; A47F 1/04; A47F 1/12; A47F  
1/121; A47F 55/00; A47F 55/02; A47F  
47/02; A47F 47/021  
See application file for complete search history.

D544,250 S \* 6/2007 Daugherty ..... D6/678.3  
D544,251 S \* 6/2007 Daugherty ..... D6/678.3  
D562,590 S \* 2/2008 Colin ..... D6/678.4  
D579,691 S \* 11/2008 Snider ..... D6/675.2  
D580,193 S \* 11/2008 Sparkowski ..... D6/678.4  
D623,439 S \* 9/2010 Daniel ..... D6/678.3  
D699,986 S \* 2/2014 Tsai ..... D6/675.4  
D720,952 S \* 1/2015 Breeden, III ..... D6/682.4  
D784,052 S \* 4/2017 Rodriguez ..... D6/675.2  
D787,241 S \* 5/2017 Arzaluz ..... D6/675.2  
D798,635 S \* 10/2017 Aguilera ..... D6/675.2  
D804,225 S \* 12/2017 Bian ..... D6/675.5  
10,051,979 B2 \* 8/2018 Kuo ..... A47F 7/148  
D856,420 S \* 8/2019 Tsai ..... D19/92  
2002/0008074 A1 \* 1/2002 Spencer ..... A47F 7/148  
211/49.1

\* cited by examiner

*Primary Examiner* — Kelley A Donnelly  
(74) *Attorney, Agent, or Firm* — ZANIP

(57) **CLAIM**

The ornamental design for a can rack organizer, as shown and described.

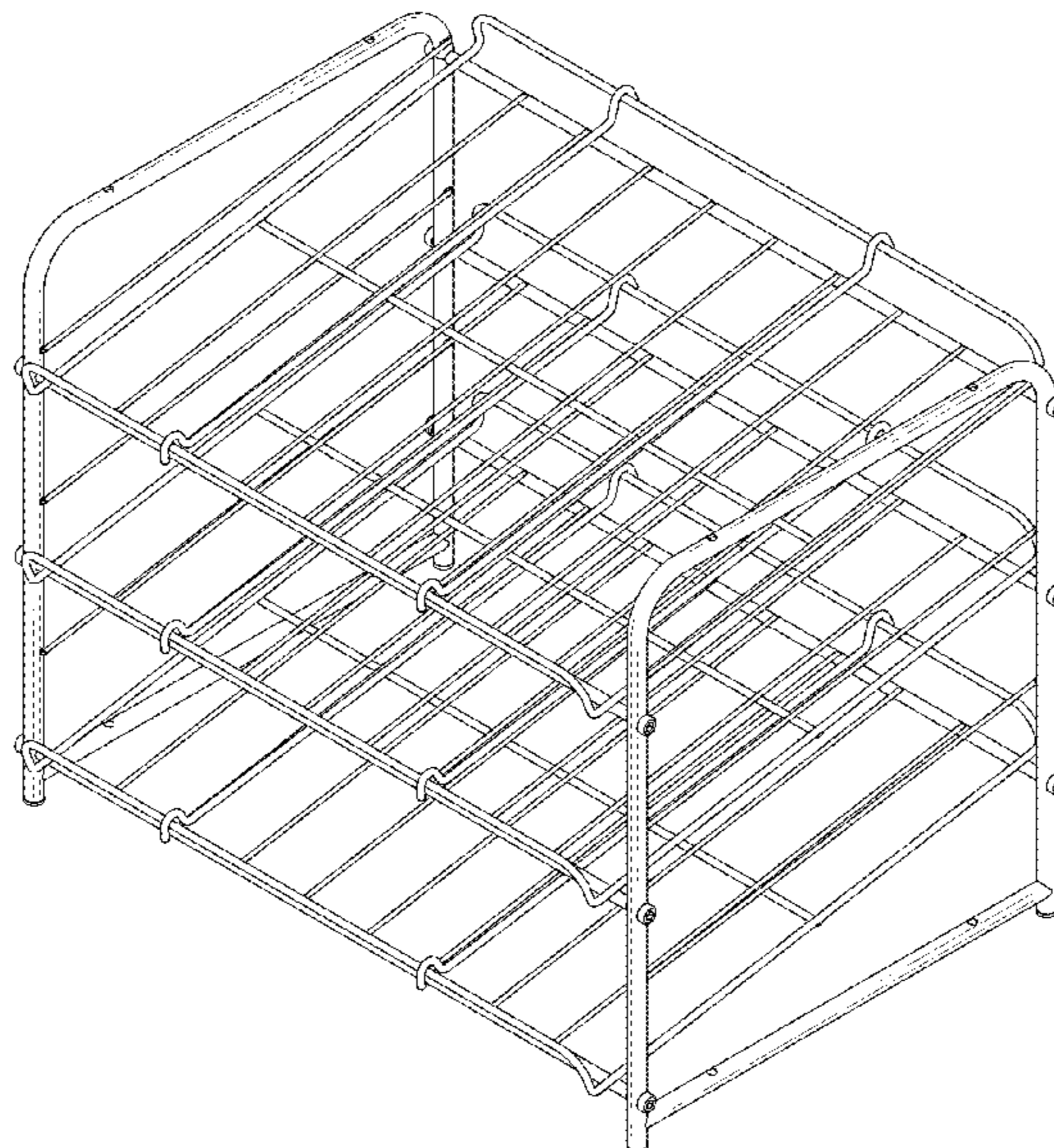
**DESCRIPTION**

FIG. 1 is a first perspective view of a can rack organizer showing my design;  
FIG. 2 is a second perspective view thereof;  
FIG. 3 is a front view thereof;  
FIG. 4 is a back view thereof;  
FIG. 5 is a left side view thereof;  
FIG. 6 is a right side view thereof;  
FIG. 7 is a top view thereof;  
FIG. 8 is a bottom view thereof; and,  
FIG. 9 is a perspective view of a using state for reference by combining two can rack organizers together.  
The broken lines shown in the drawings depict portions of the can rack organizer in which the design is embodied that form no part of the claimed design.

**1 Claim, 9 Drawing Sheets**

(56) **References Cited**  
U.S. PATENT DOCUMENTS

D181,322 S \* 10/1957 Streich ..... D6/675.5  
D185,660 S \* 7/1959 Crookes ..... D6/515  
3,680,712 A \* 8/1972 Jurasek ..... A47F 5/13  
211/59.2  
3,915,097 A \* 10/1975 Young, Jr. .... A47F 5/12  
108/6  
4,978,013 A \* 12/1990 Hogg ..... A47F 5/13  
211/132.1  
D317,094 S \* 5/1991 Weinberg ..... D6/675.2  
D321,609 S \* 11/1991 Dardashti ..... D6/675.2  
D446,968 S \* 8/2001 Spencer ..... A47F 7/148  
D6/678.4  
6,834,768 B2 \* 12/2004 Jersey ..... A47B 45/00  
211/175  
D524,573 S \* 7/2006 Robinson ..... D6/675.4



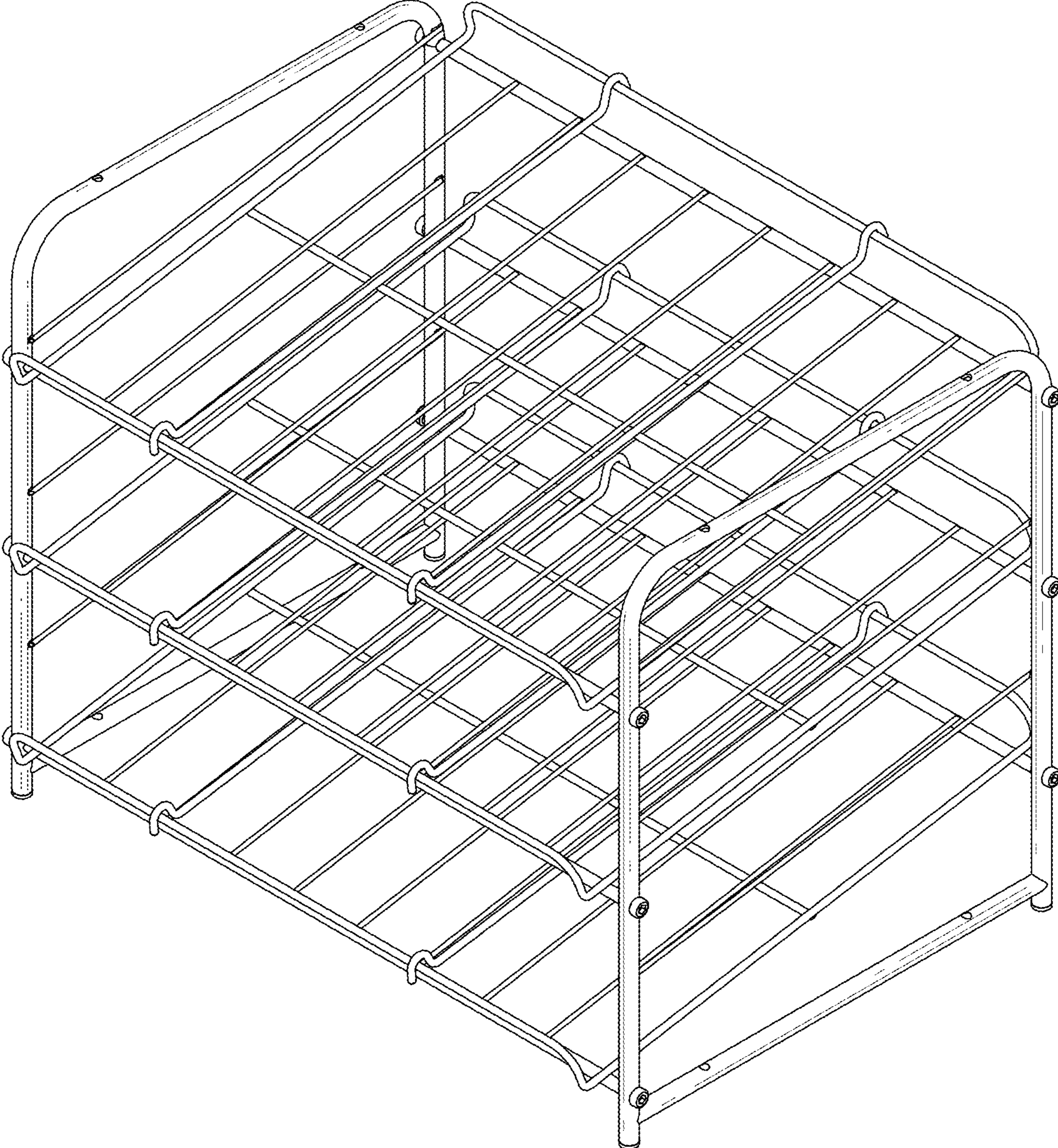


FIG. 1

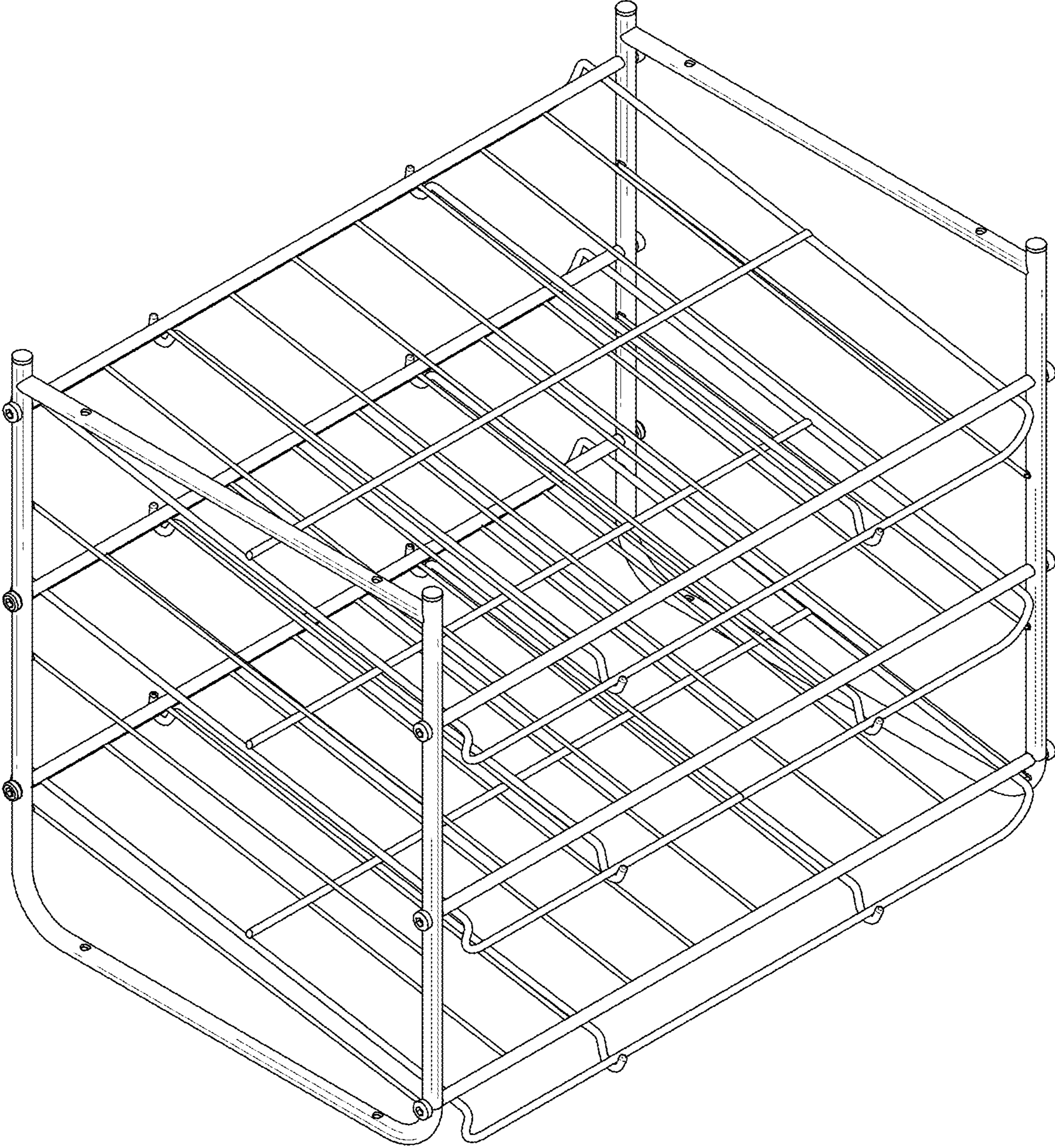


FIG. 2

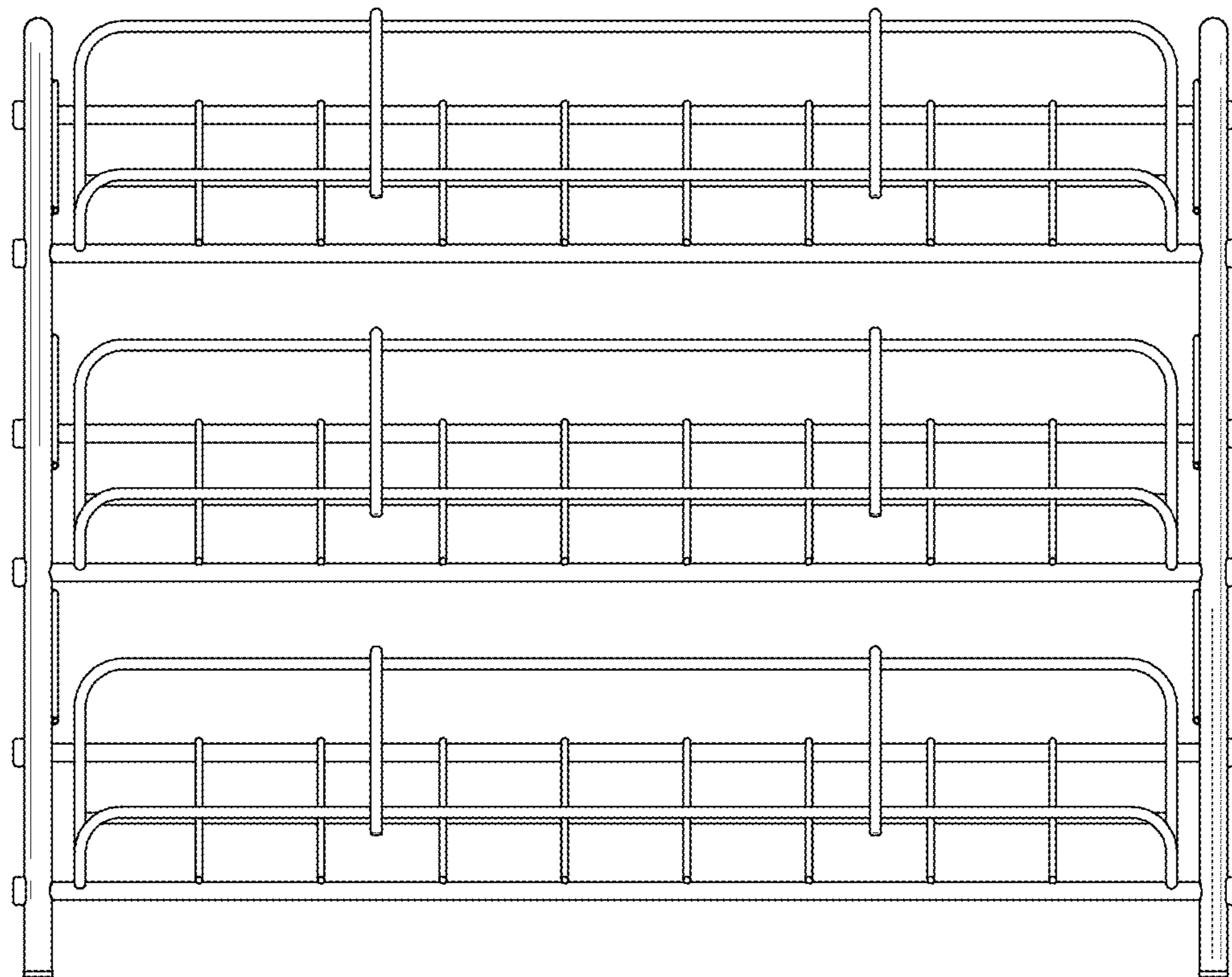


FIG. 3

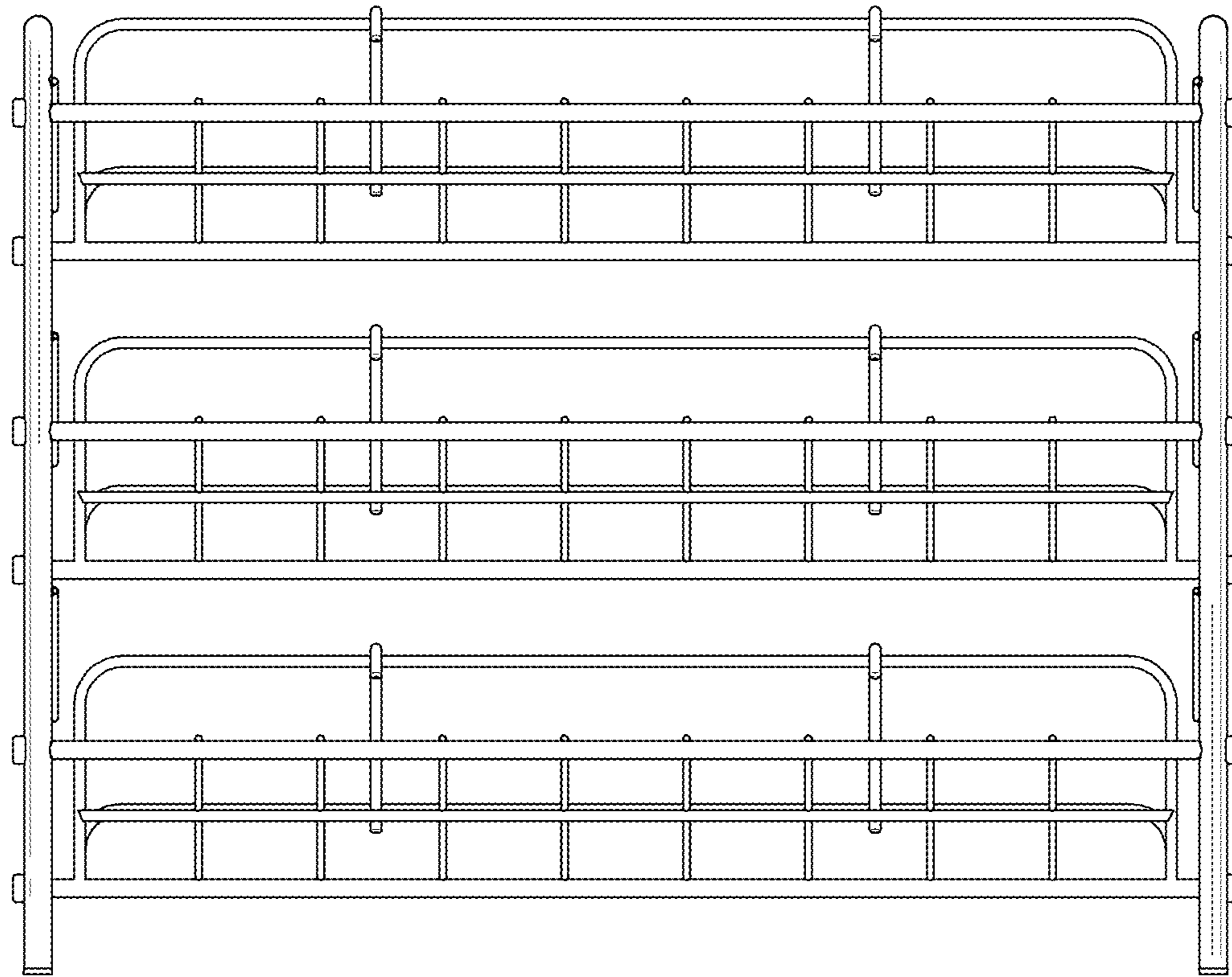


FIG. 4

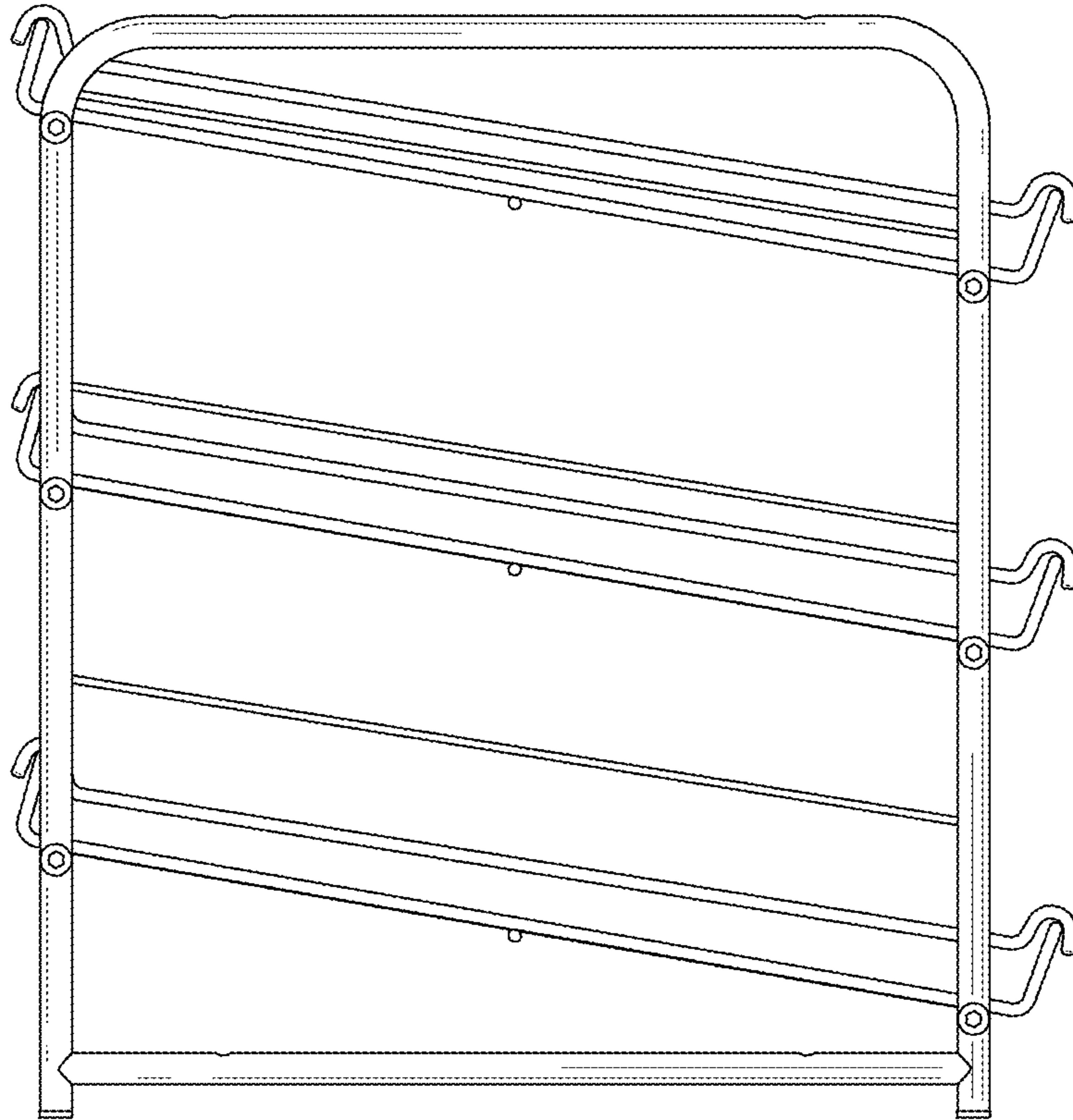


FIG. 5

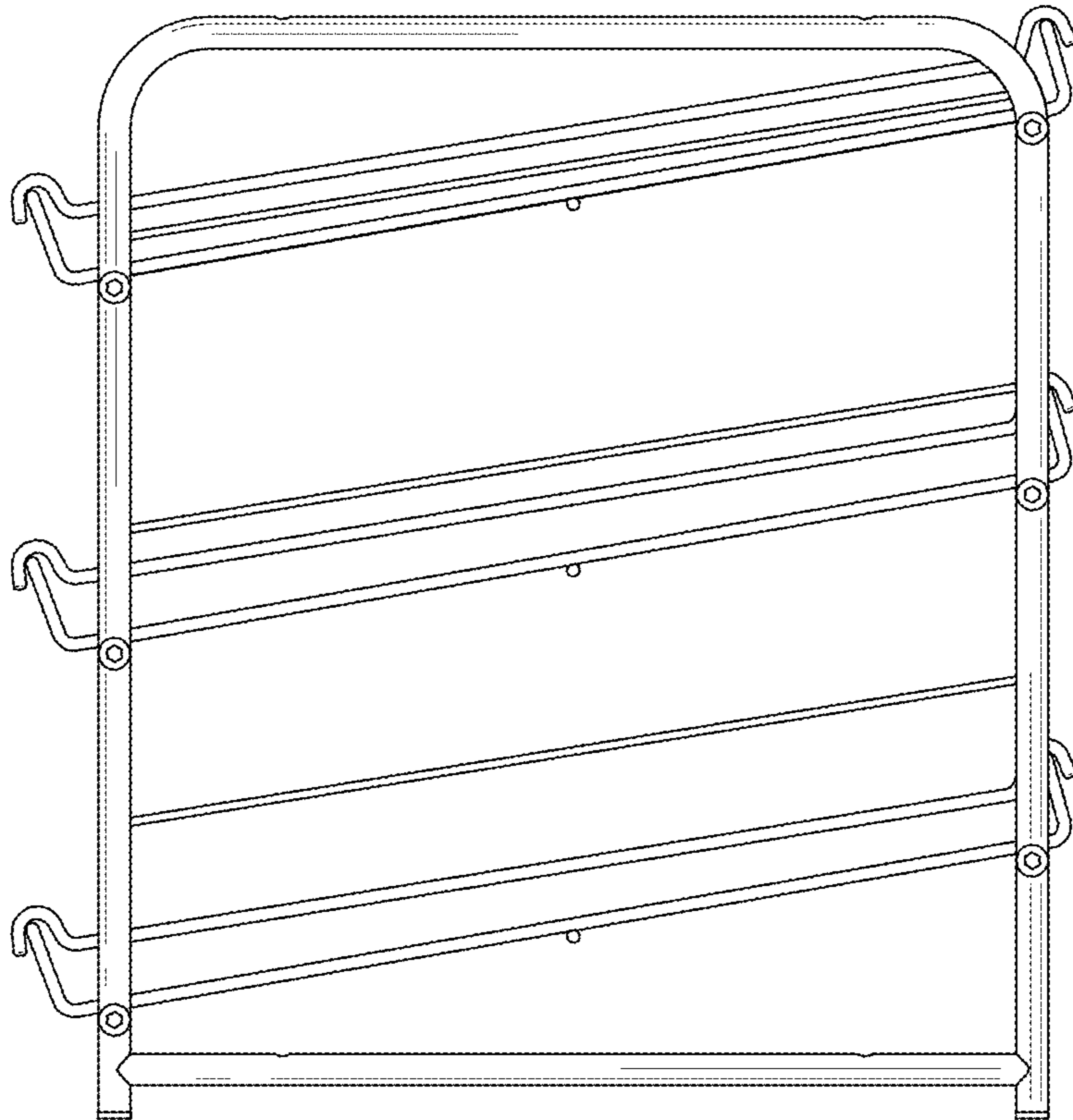


FIG. 6

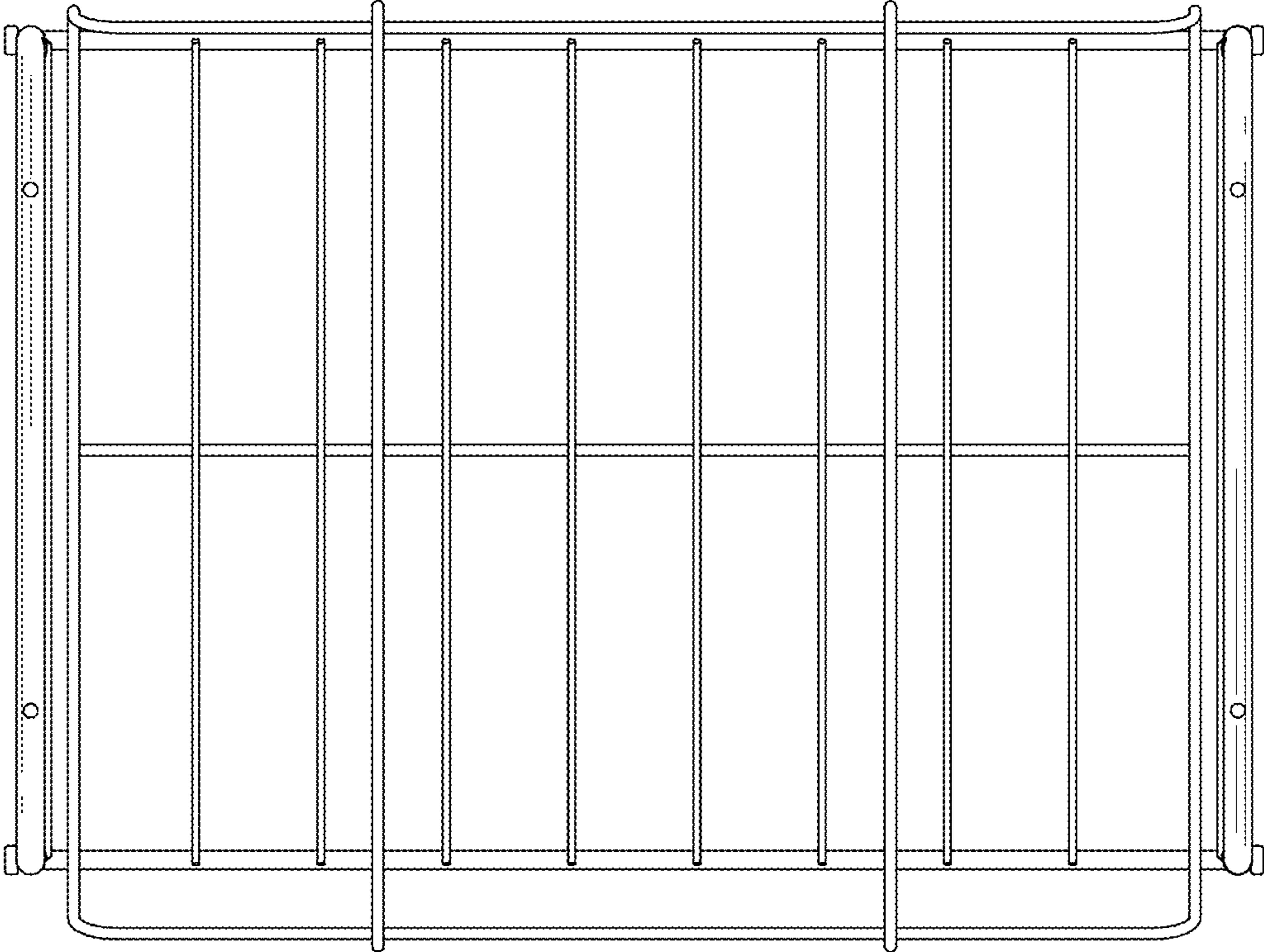


FIG. 7



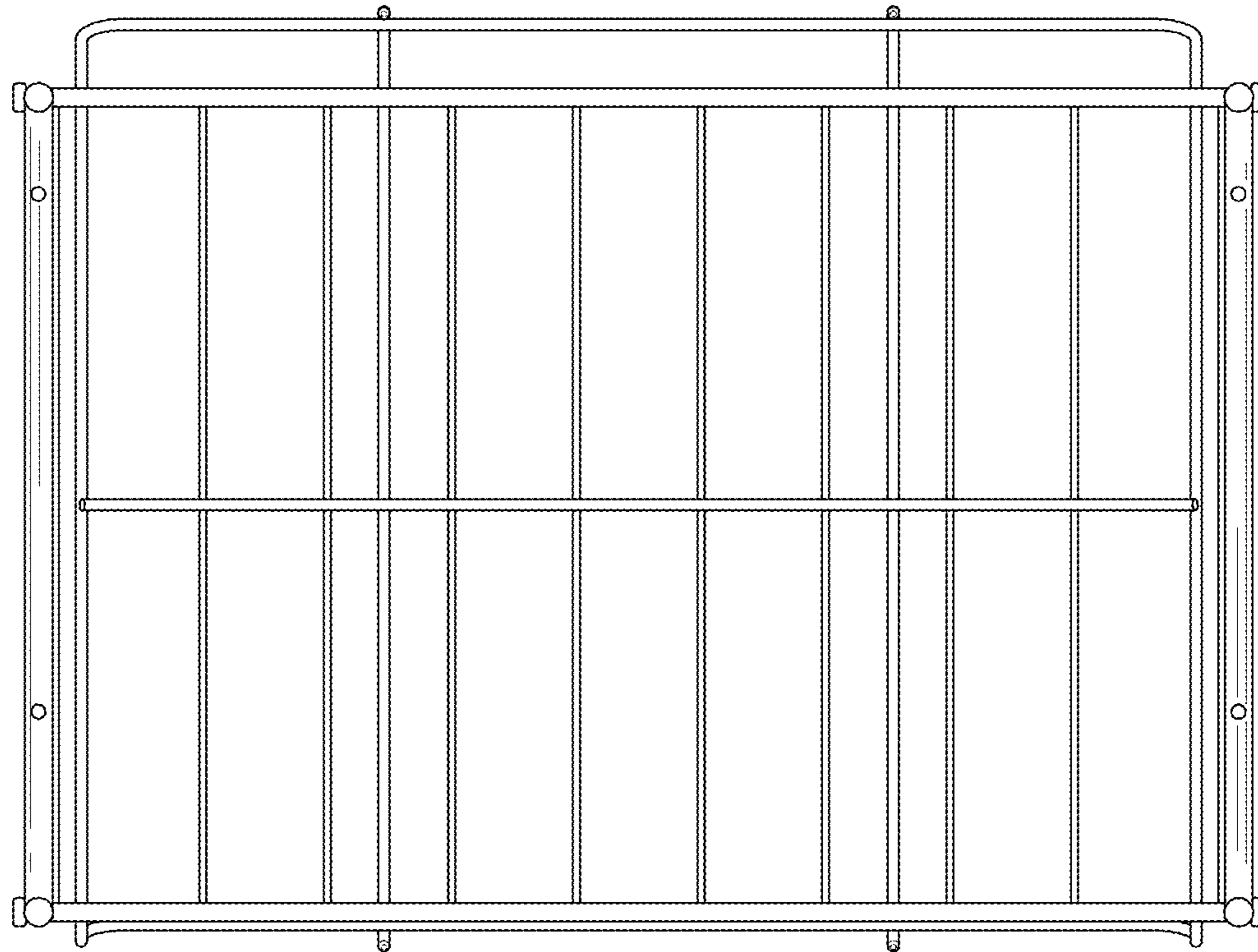


FIG. 8

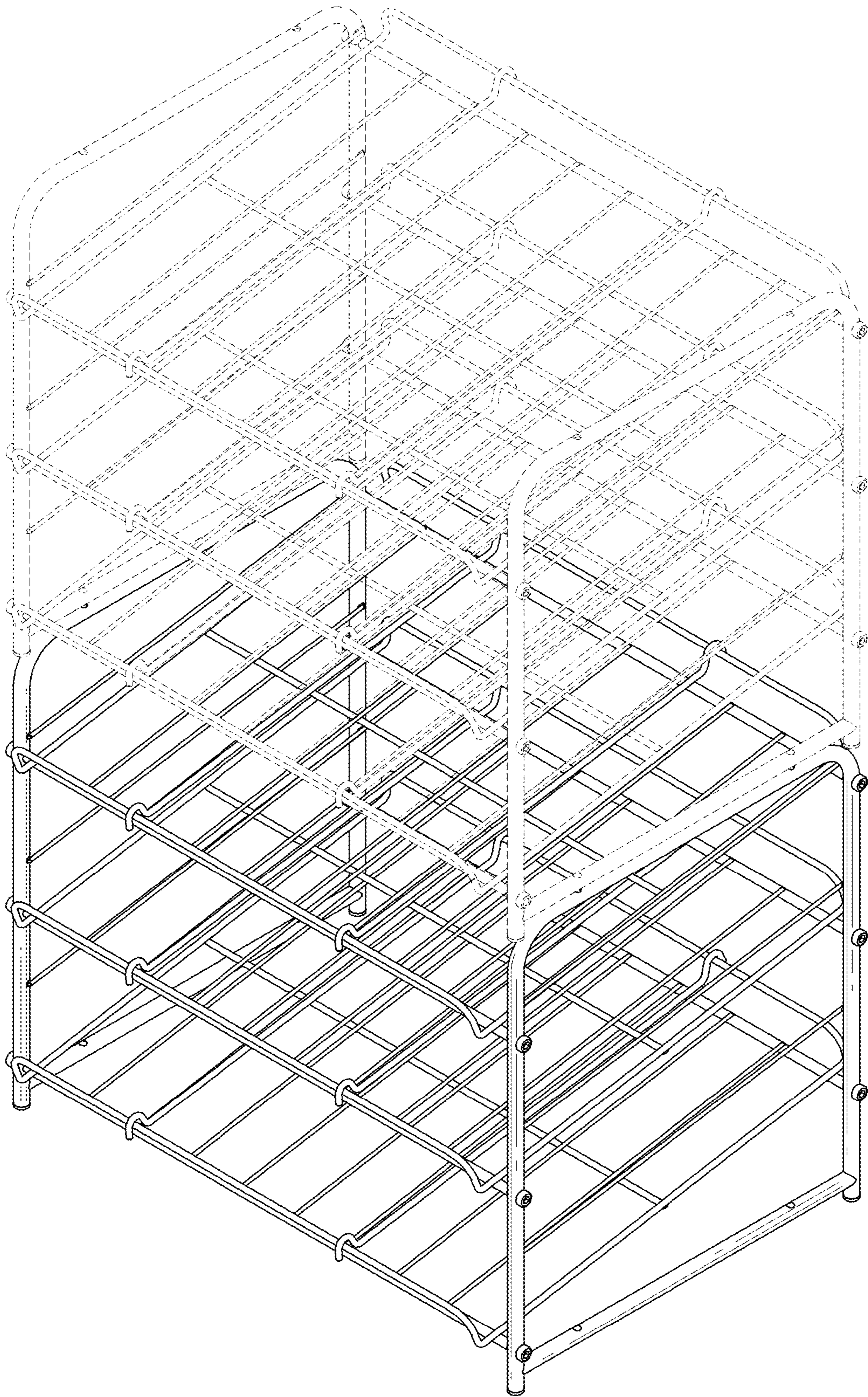


FIG. 9