

US00D890553S

(12) **United States Design Patent** (10) **Patent No.:** **US D890,553 S**
Walker (45) **Date of Patent:** **** Jul. 21, 2020**

(54) **HEALTH AND SAFETY UNIT** D452,944 S * 1/2002 Schmidt D34/6
7,188,738 B2 * 3/2007 Stafford A61J 7/04
(71) Applicant: **First Reaction Ltd**, Portadown (GB) 211/10
D542,582 S * 5/2007 Stafford D6/553
(72) Inventor: **Jason Walker**, Portadown (GB) D551,008 S * 9/2007 Hidalgo D6/567
D566,919 S * 4/2008 Snell D32/55
(73) Assignee: **FIRST REACTION LTD**, Armagh 7,438,194 B2 * 10/2008 Wang A47F 7/14
(GB) 211/113
D639,092 S * 6/2011 Lundy D6/513
D762,404 S * 8/2016 Williams D6/682.2
(**) Term: **15 Years** (Continued)

(21) Appl. No.: **29/666,622**

FOREIGN PATENT DOCUMENTS

(22) Filed: **Oct. 15, 2018**
(51) **LOC (12) Cl.** **20-02**
(52) **U.S. Cl.**
USPC **D6/672**
(58) **Field of Classification Search**
USPC D3/201, 203.1; D6/672, 675, 675.1, 682,
D6/682.2, 683.1, 512, 514, 524, 540, 545,
D6/553, 569, 572, 567; D20/40, 42
CPC A47B 47/00; A47B 81/00; A47B 96/16;
A47F 1/00; A47F 3/00; A47F 3/02; A47F
3/06; A47F 5/08; A47F 5/0807; A47F
5/0876; A47F 7/28
See application file for complete search history.

GB 2434746 A 8/2007
JP 2011050527 A 3/2011

Primary Examiner — Steven J Czyz
(74) *Attorney, Agent, or Firm* — RMCK Law Group,
PLC

(57) **CLAIM**

The ornamental design for a health and safety unit, as shown and described.

DESCRIPTION

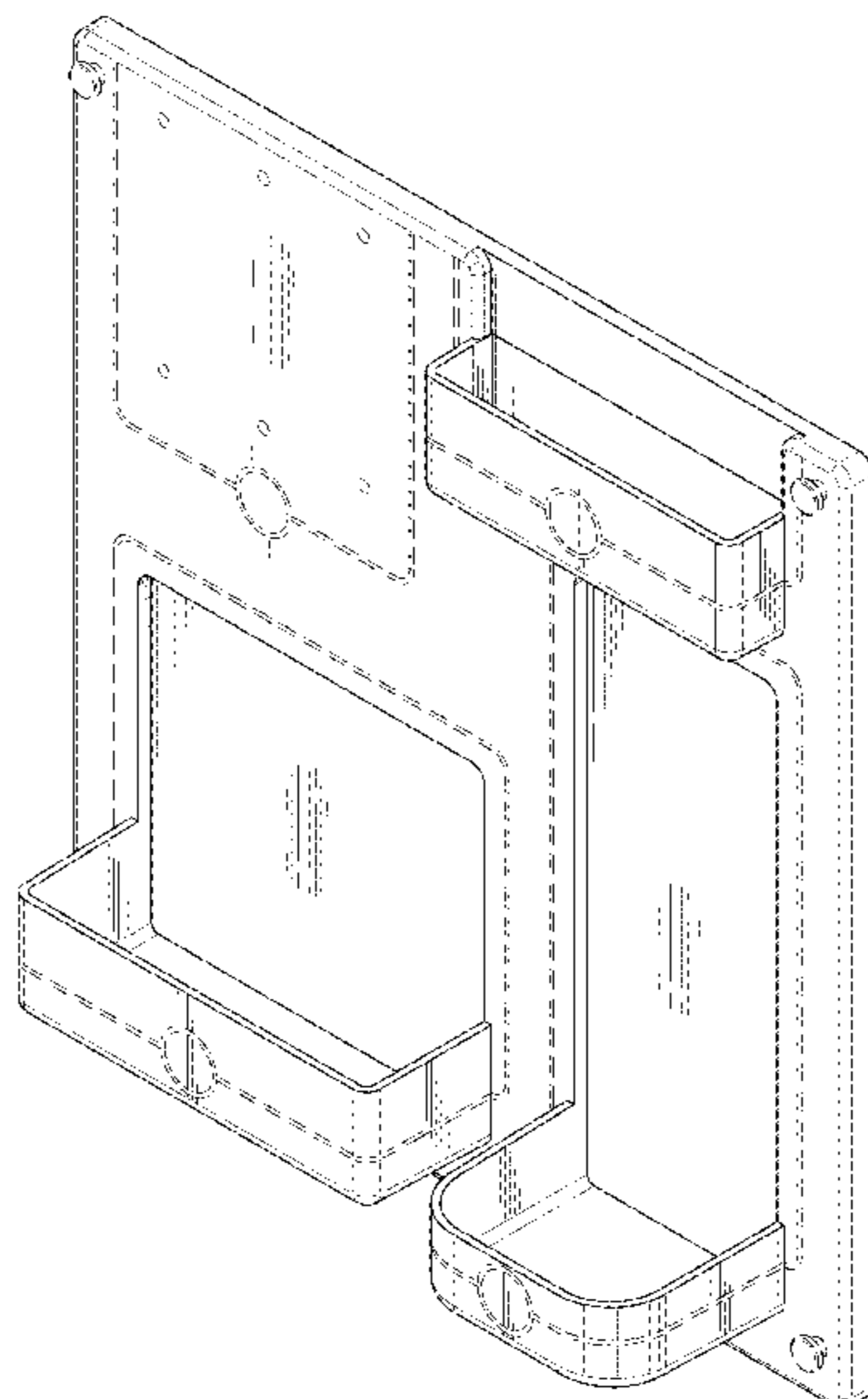
FIG. 1 is a perspective view of a health and safety unit showing our new design;
FIG. 2 is a front view of the health and safety unit of FIG. 1;
FIG. 3 is a rear view of the health and safety unit of FIG. 1;
FIG. 4 is a top view of the health and safety unit of FIG. 1;
FIG. 5 is a bottom view of the health and safety unit of FIG. 1;
FIG. 6 is a first side view of the health and safety unit of FIG. 1; and,
FIG. 7 is a second side view of the health and safety unit of FIG. 1.
The broken lines depict portions of the article that form no part of the claimed design.

(56) **References Cited**

U.S. PATENT DOCUMENTS

D247,660 S * 4/1978 Tortorici D6/553
D300,795 S * 4/1989 Kellogg D6/567
D304,656 S * 11/1989 Hancock D6/553
4,960,307 A 10/1990 Nelsen
D313,524 S * 1/1991 Barnes D6/553
D354,646 S * 1/1995 Weinstein D6/567
5,526,943 A * 6/1996 Thompson A47B 81/00
211/119.004
D385,136 S * 10/1997 Gutke D6/524
D385,287 S * 10/1997 Westcott D15/89
D391,296 S * 2/1998 Hill, Sr. D19/86
D394,456 S * 5/1998 Jack D19/113
D425,353 S * 5/2000 Foy D24/134

1 Claim, 5 Drawing Sheets



(56)

References Cited

U.S. PATENT DOCUMENTS

D778,643 S * 2/2017 Williams D6/682.2
D808,188 S * 1/2018 Cockburn D6/513
9,901,497 B2 * 2/2018 Colvin, Sr. A61F 17/00
D838,521 S * 1/2019 Goldmeier D6/672
D840,715 S * 2/2019 Lowenhielm D6/553
D845,028 S * 4/2019 Corona D6/553
2009/0108718 A1 4/2009 Craig et al.

* cited by examiner

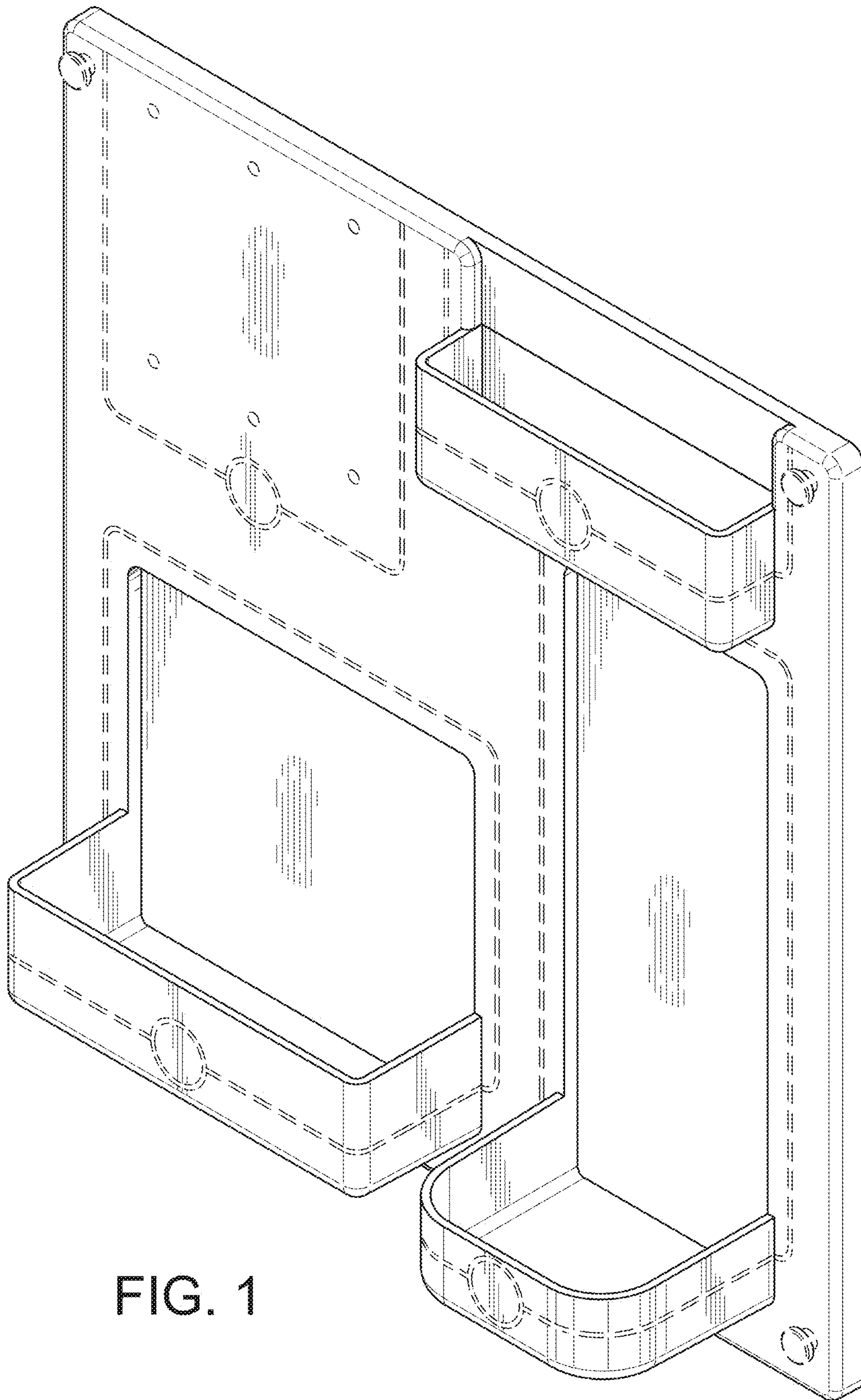


FIG. 1

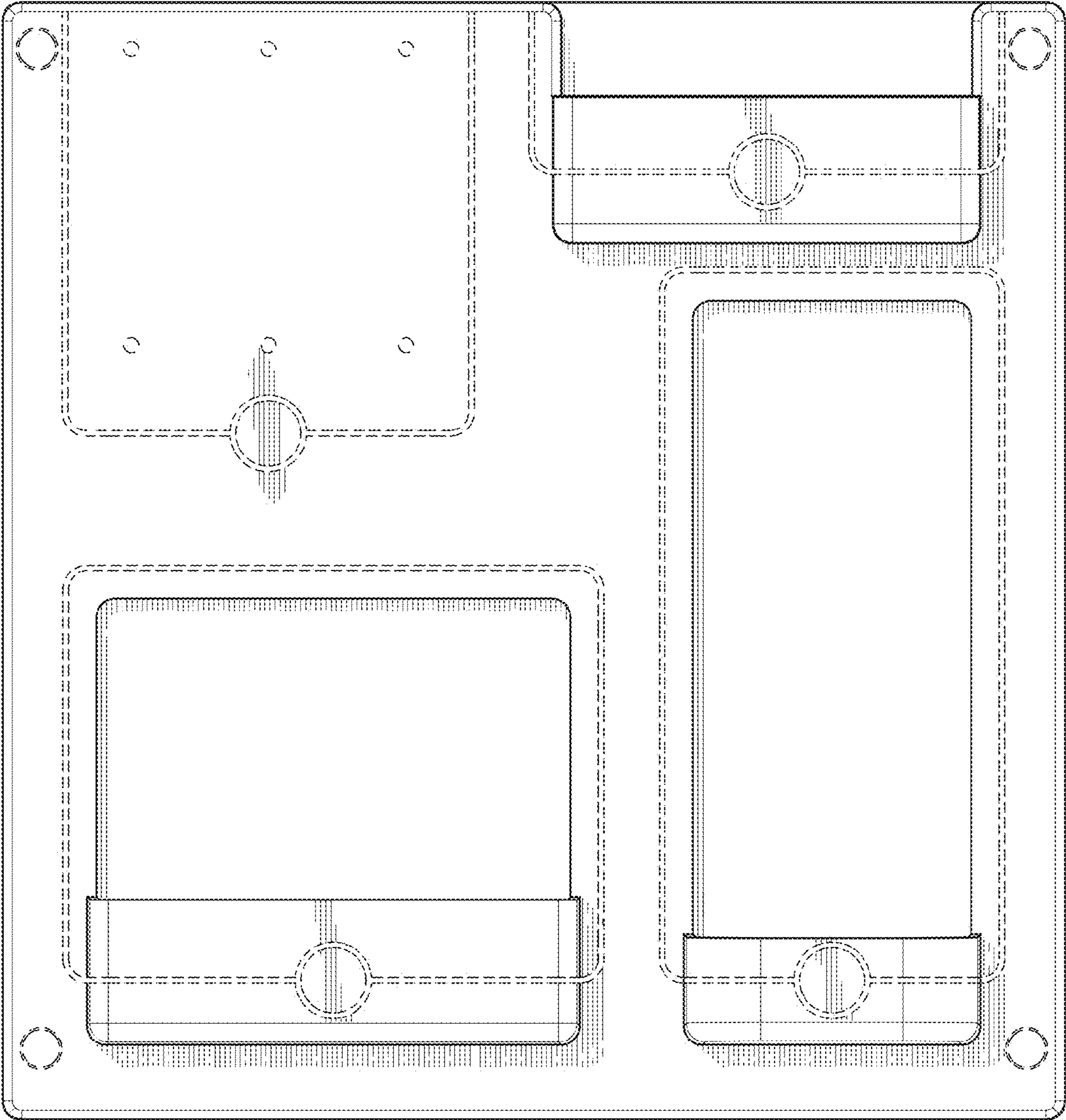


FIG. 2

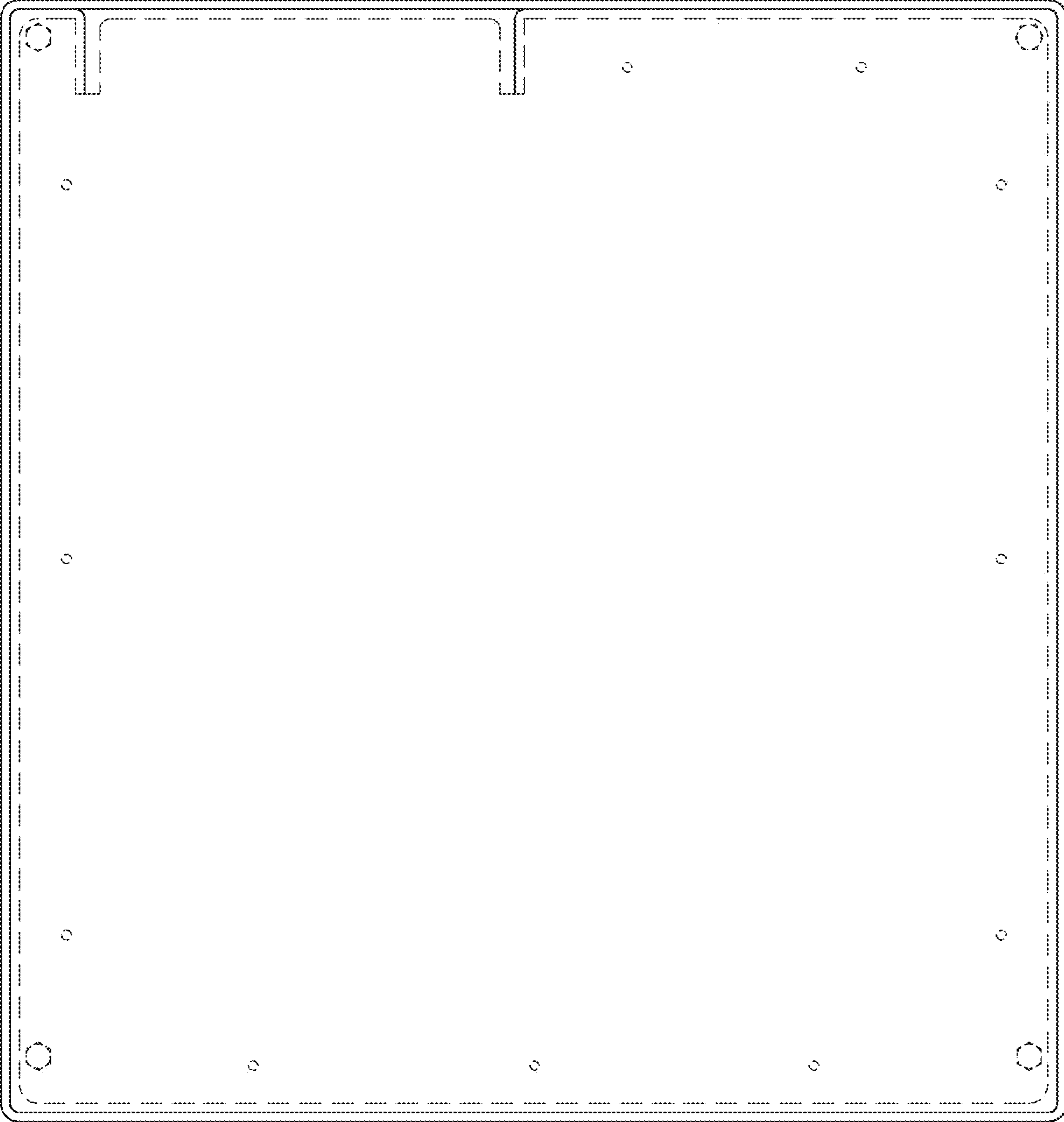


FIG. 3

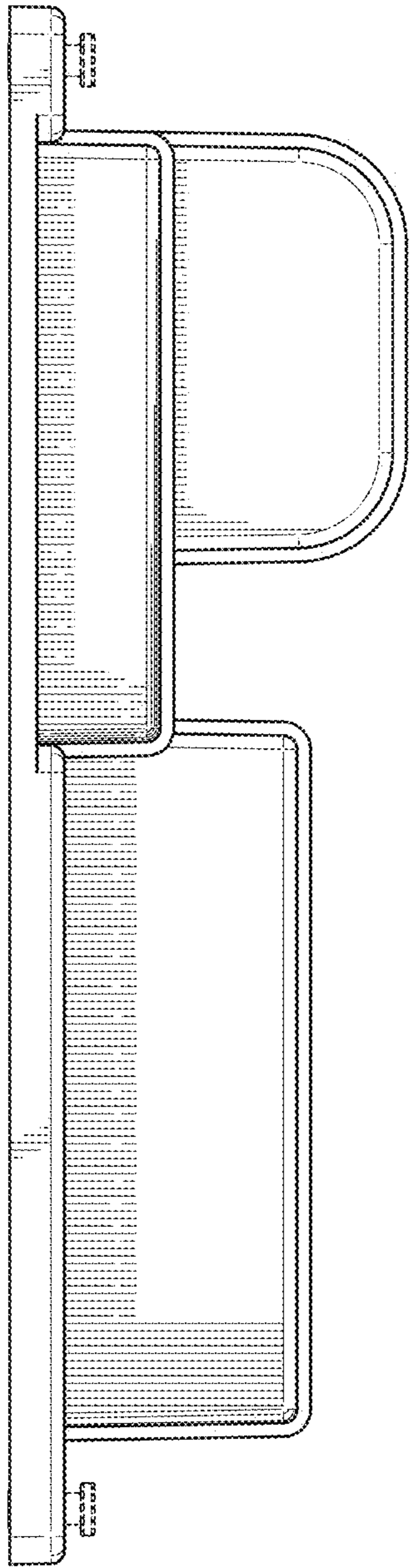


FIG. 4

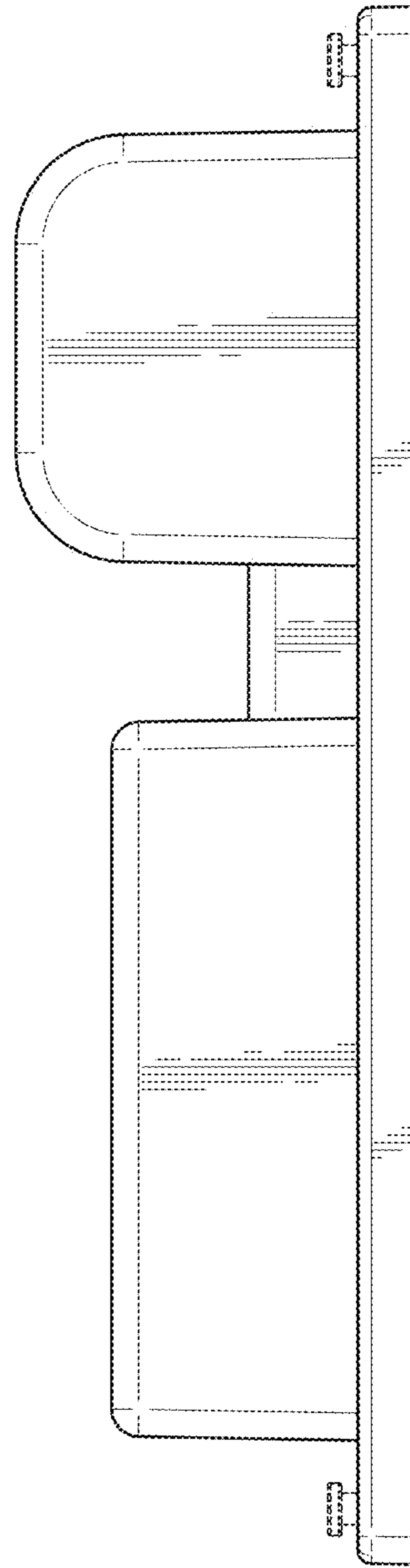


FIG. 5



FIG. 6

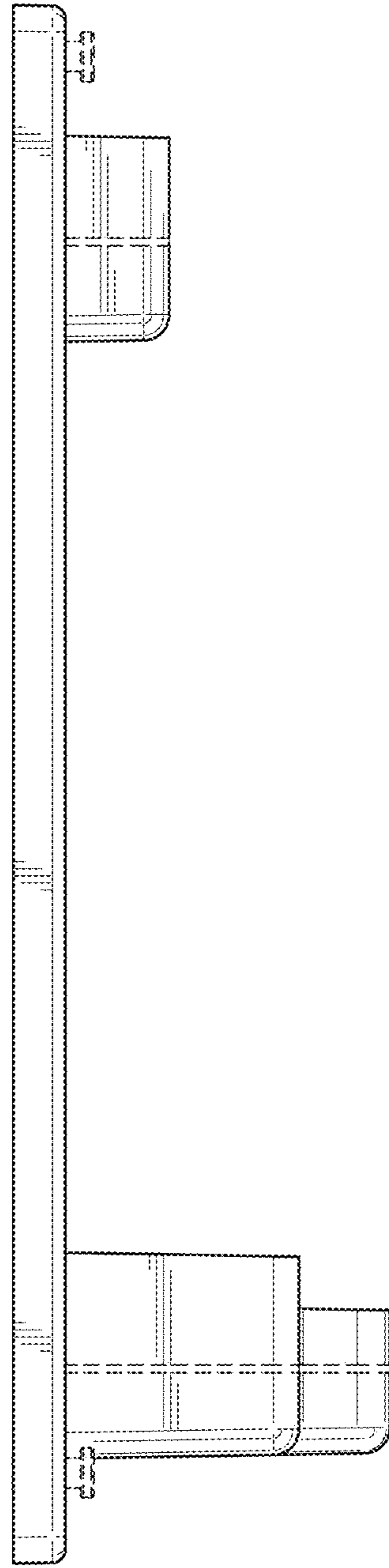


FIG. 7