

US00D890552S

(12) **United States Design Patent** (10) **Patent No.:** **US D890,552 S**  
**Case et al.** (45) **Date of Patent:** **\*\* Jul. 21, 2020**

(54) **DISPLAY UNIT**

D345,063 S \* 3/1994 Golod ..... D6/702  
D364,202 S \* 11/1995 Benson ..... D21/686  
(Continued)

(71) Applicant: **Target Brands, Inc.**, Minneapolis, MN  
(US)

FOREIGN PATENT DOCUMENTS

(72) Inventors: **Christopher S. Case**, Shakopee, MN  
(US); **Travis M. Poirier**, Fridley, MN  
(US)

CN 302188749 \* 11/2012  
JP D1172128 \* 4/2003  
(Continued)

(73) Assignee: **Target Brands, Inc.**, Minneapolis, MN  
(US)

OTHER PUBLICATIONS

(\*\*) Term: **15 Years**

Sheet Metal Forming Bending Diagram, custompart.net, author not listed, published on Apr. 26, 2009 per wayback machine © 2019 CustomPartNet, online, site visited Oct. 19, 2019. Available at URL: <https://www.custompartnet.com/wu/sheet-metal-forming> (Year: 2009).\*  
(Continued)

(21) Appl. No.: **29/630,267**

(22) Filed: **Dec. 20, 2017**

(51) **LOC (12) Cl.** ..... **20-02**

(52) **U.S. Cl.**  
USPC ..... **D6/672**

(58) **Field of Classification Search**  
USPC ..... D14/138 AB, 203.4, 315, 345, 348,  
D14/356-359, 363, 371, 374-375,  
D14/434-436, 440-442, 444, 478, 501,  
D14/203.6, 215-216, 228, 380, 398, 408,  
D14/509-510; D9/430-433, 428;  
361/679.27-679.31; D24/158-160;  
D12/192; D16/229; D6/702, 707, 672;  
D8/380; D25/112, 121  
CPC ..... H05K 5/00; H05K 5/03; G02F  
2001/133607; G02B 27/0179; G02B  
27/0101; G02B 27/0149; G02B 2027/014;  
G02B 2027/0154; B60C 23/0408; B60C  
23/0491; G09F 9/301; G09F 1/04; G09F  
11/232; A47F 5/0043; A47F 5/0068;  
A47F 5/0853; A47F 5/0876; A47F 7/00  
See application file for complete search history.

*Primary Examiner* — Marissa J Cash  
*Assistant Examiner* — Altaira J Swangin  
(74) *Attorney, Agent, or Firm* — Leanne Taveggia Farrell;  
Westman, Champlin & Koehler, P.A.

(57) **CLAIM**

The ornamental design for a display unit, as shown and described.

**DESCRIPTION**

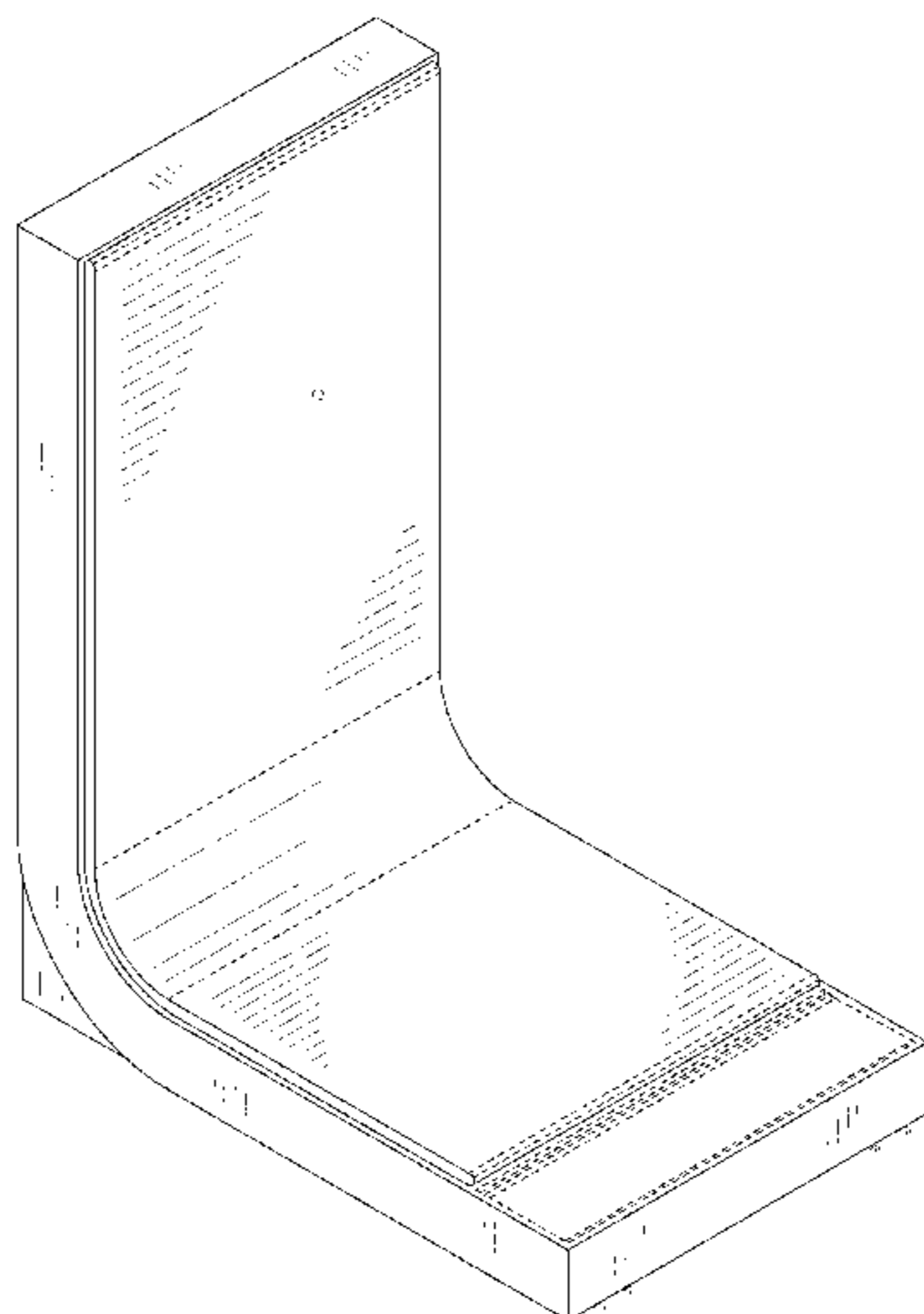
FIG. 1 is a perspective view of a display unit showing our new design;  
FIG. 2 is a front view thereof;  
FIG. 3 is a top view thereof; and,  
FIG. 4 is a left side view thereof, the right side view being a mirror image.  
The broken lines shown in the drawings are included for purposes of illustrating portions of the display unit and form no part of the claimed design.

**1 Claim, 4 Drawing Sheets**

(56) **References Cited**

U.S. PATENT DOCUMENTS

4,790,519 A \* 12/1988 Stewart ..... A47C 27/001  
267/103  
D328,001 S \* 7/1992 Kelly ..... D6/707



(56)

References Cited

U.S. PATENT DOCUMENTS

5,685,931 A \* 11/1997 Kakamu ..... B28B 1/002  
156/304.2  
D463,942 S \* 10/2002 Stevko ..... D6/601  
D474,055 S \* 5/2003 Brewster ..... D6/707  
D495,172 S \* 8/2004 Brownfield ..... D6/672  
D507,131 S \* 7/2005 Pingel ..... D6/699.5  
D529,632 S \* 10/2006 Folliard ..... D25/119  
D539,584 S \* 4/2007 Slimane ..... D6/553  
D543,591 S \* 5/2007 Simasko ..... D20/42  
D548,986 S \* 8/2007 McCoy ..... D6/344  
D569,115 S \* 5/2008 McCoy ..... D6/365  
D579,124 S \* 10/2008 Sauter ..... D25/119  
D586,004 S \* 2/2009 Sauter ..... D25/119  
D608,625 S \* 1/2010 Mercado ..... D8/380  
D643,234 S \* 8/2011 Daino ..... D6/707  
D663,905 S \* 7/2012 Haaf ..... D30/160  
D684,397 S \* 6/2013 Kikkert ..... D6/674  
D693,607 S \* 11/2013 Johnson ..... D6/672  
D693,611 S \* 11/2013 Stafford ..... D6/707  
D699,239 S \* 2/2014 Kim ..... D14/341  
D699,240 S \* 2/2014 Kim ..... D14/341  
D699,487 S \* 2/2014 Trinh ..... D6/553  
D708,405 S \* 7/2014 Sikora ..... D30/160  
D713,841 S \* 9/2014 Lim ..... D14/341  
D714,271 S \* 9/2014 Lee ..... D14/248  
9,069,521 B2 \* 6/2015 Lee ..... G06F 1/16  
D736,752 S \* 8/2015 Lee ..... D14/248  
D742,670 S \* 11/2015 Lee ..... D6/707  
9,239,594 B2 \* 1/2016 Lee ..... G06F 1/1652  
D770,450 S \* 11/2016 Bae ..... D14/341  
D771,041 S \* 11/2016 Bae ..... D14/341  
D771,628 S \* 11/2016 Bae ..... D14/341  
D776,112 S \* 1/2017 Bae ..... D14/374  
D778,367 S \* 2/2017 Kott ..... D20/43  
D797,022 S \* 9/2017 Kumagai ..... D12/192  
9,770,126 B2 \* 9/2017 Ludeman ..... A47J 47/16  
9,781,826 B2 \* 10/2017 Jeong ..... G09F 9/301  
D802,590 S \* 11/2017 Bae ..... D14/374  
D806,450 S \* 1/2018 Seong ..... D6/672  
D816,079 S \* 4/2018 Yamazaki ..... D14/341  
D834,477 S \* 11/2018 Kumagai ..... D12/192  
10,151,424 B2 \* 12/2018 Hong ..... F16M 13/00  
10,152,086 B2 \* 12/2018 Choi ..... G06F 1/1616  
10,209,878 B2 \* 2/2019 Sang ..... G06F 3/04817

D847,134 S \* 4/2019 Yamazaki ..... D14/345  
D847,382 S \* 4/2019 Seiler ..... D25/121  
D848,416 S \* 5/2019 Yamazaki ..... D14/345  
10,416,721 B2 \* 9/2019 Shin ..... G09F 9/301  
D870,038 S \* 12/2019 Zeng ..... D13/108  
10,558,277 B2 \* 2/2020 Henell ..... G06F 1/1618  
D881,022 S \* 4/2020 Long ..... D10/2  
D881,892 S \* 4/2020 Mecchella ..... D14/434  
10,645,829 B2 \* 5/2020 Hsu ..... H05K 5/0234  
2010/0182265 A1 \* 7/2010 Kim ..... G06F 1/1616  
345/173  
2012/0274575 A1 \* 11/2012 Solomon ..... G06F 1/1601  
345/173  
2013/0307816 A1 \* 11/2013 Lee ..... G06F 1/1652  
345/174  
2014/0027397 A1 \* 1/2014 Knoll ..... A47F 5/16  
211/183  
2016/0266301 A1 \* 9/2016 Horiguchi ..... G02B 6/0045  
2017/0169741 A1 \* 6/2017 Lim ..... G09F 9/00  
2017/0287385 A1 \* 10/2017 Lian ..... G09F 9/301  
2018/0014990 A1 \* 1/2018 Stanislao ..... A61G 7/16  
2018/0168358 A1 \* 6/2018 Dewert ..... A47C 20/041  
2018/0267574 A1 \* 9/2018 Cho ..... G06F 1/1652  
2018/0325268 A1 \* 11/2018 Dewert ..... A47C 27/002  
2019/0005857 A1 \* 1/2019 Wakata ..... G09F 9/00  
2020/0053893 A1 \* 2/2020 Hsu ..... H05K 5/03  
2020/0133349 A1 \* 4/2020 Aagaard ..... E05D 11/00  
2020/0145624 A1 \* 5/2020 Jeong ..... G06F 1/1643

FOREIGN PATENT DOCUMENTS

JP D1262085 \* 2/2006  
KR 300695860.0000 \* 6/2013  
KR 300795149.0001 \* 5/2015  
KR 300795151.0001 \* 5/2015  
KR 300944176.0000 \* 8/2018

OTHER PUBLICATIONS

Retail Display, Outform, outform.com, author not listed, published on Feb. 2, 2017 per wayback machine © Outform, date not listed, online, site visited Feb. 20, 2020. Available at URL: <https://www.outform.com/the-outform-process/> (Year: 2017).\*

\* cited by examiner

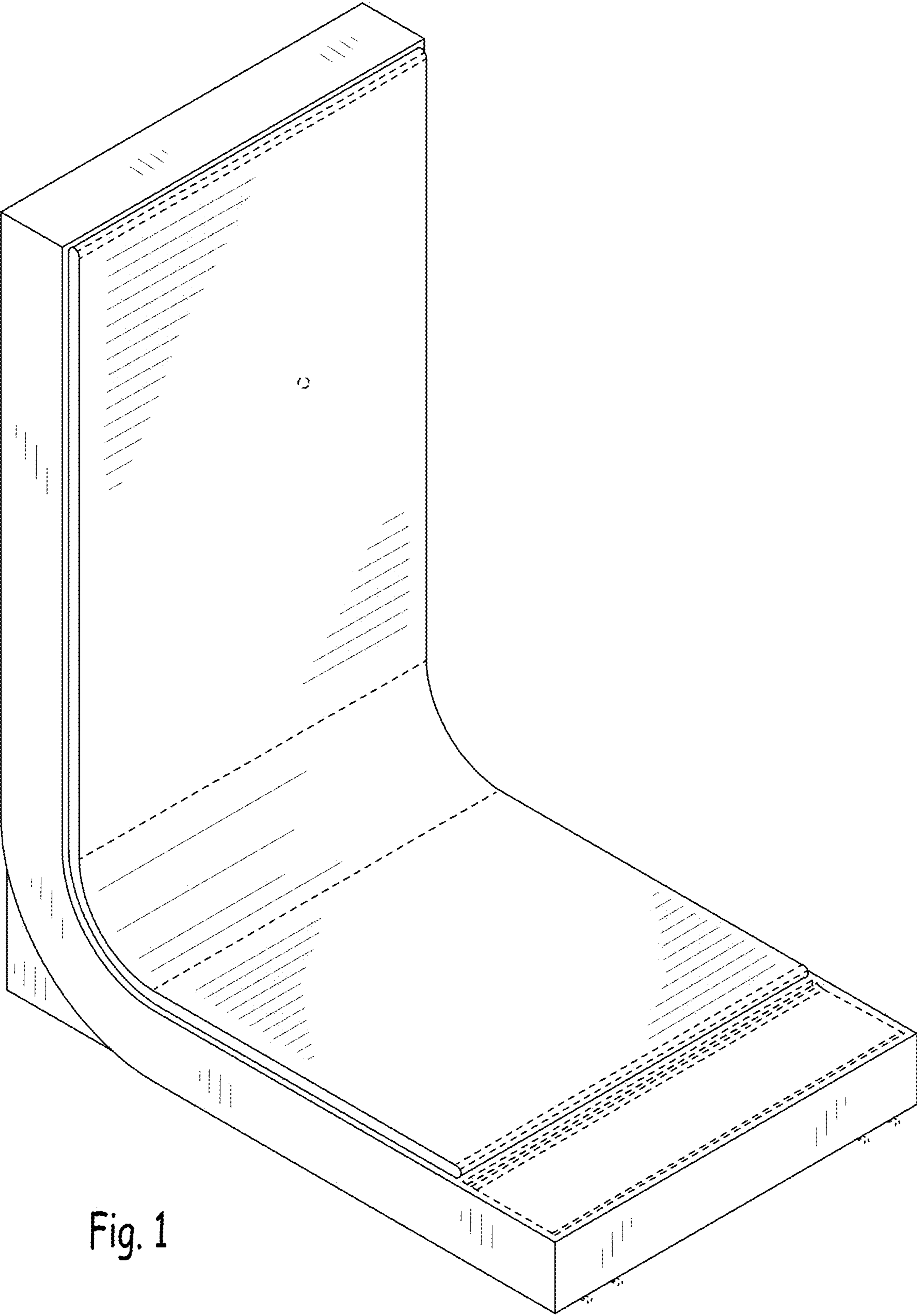


Fig. 1

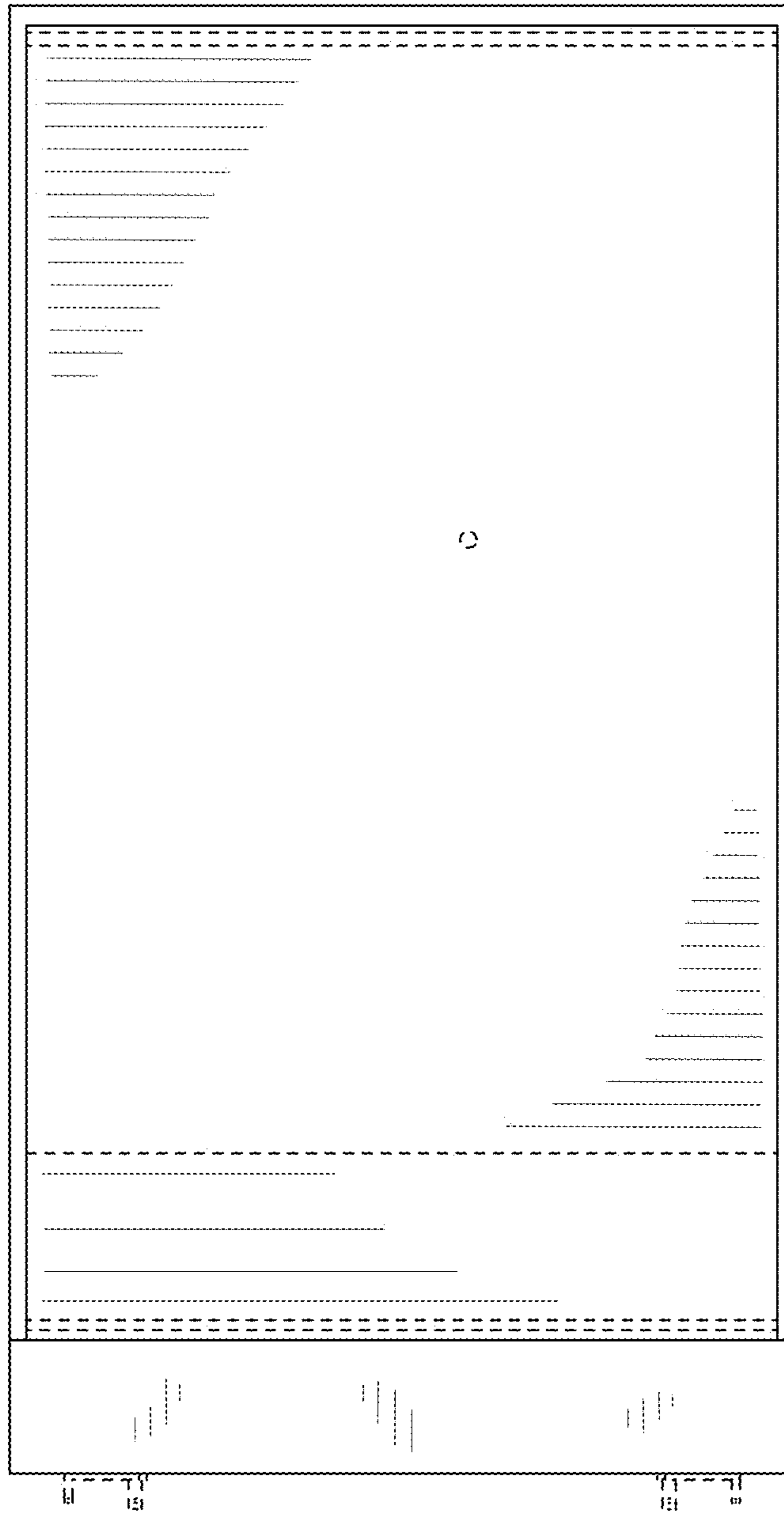


Fig. 2

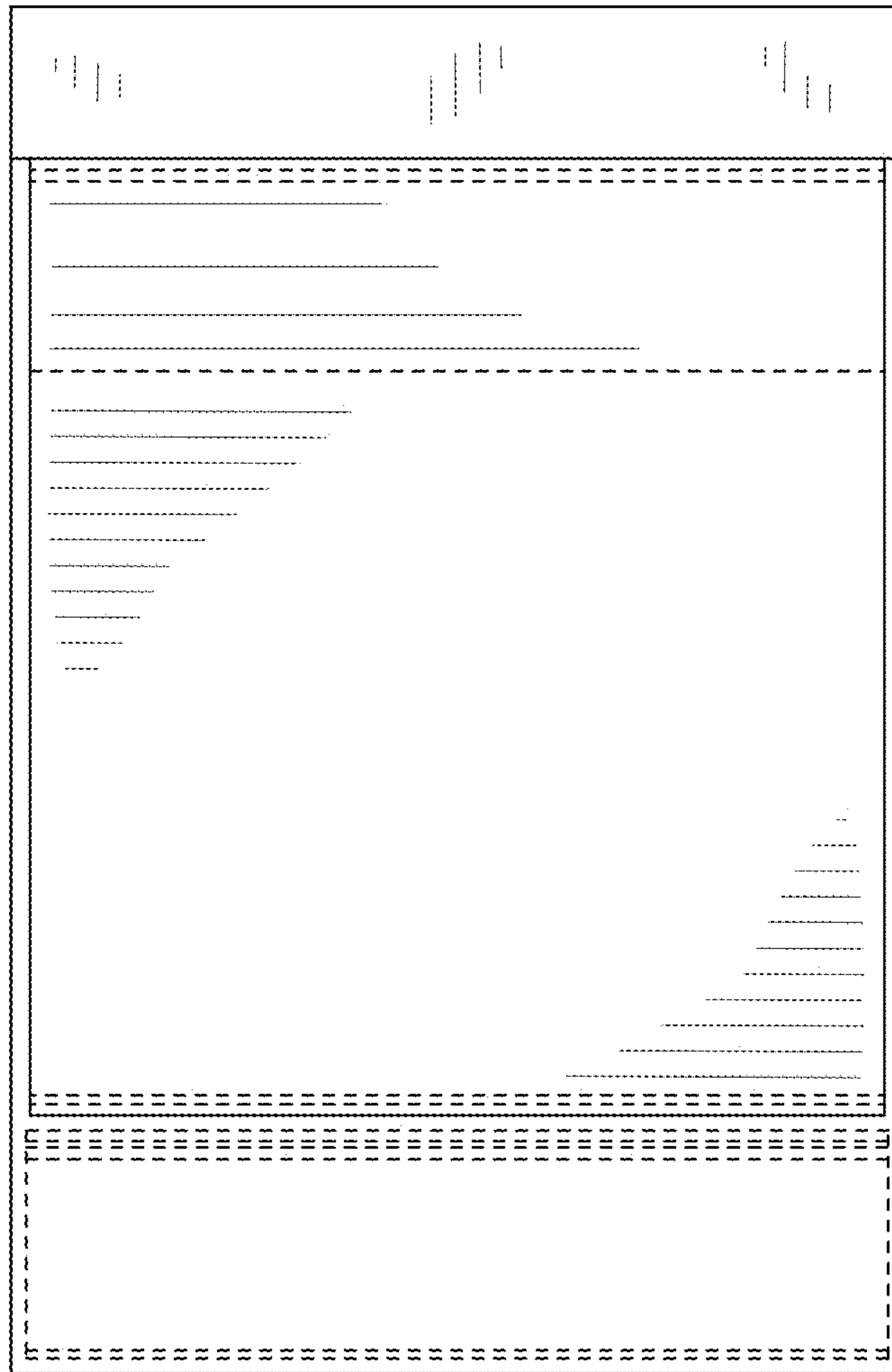


Fig. 3

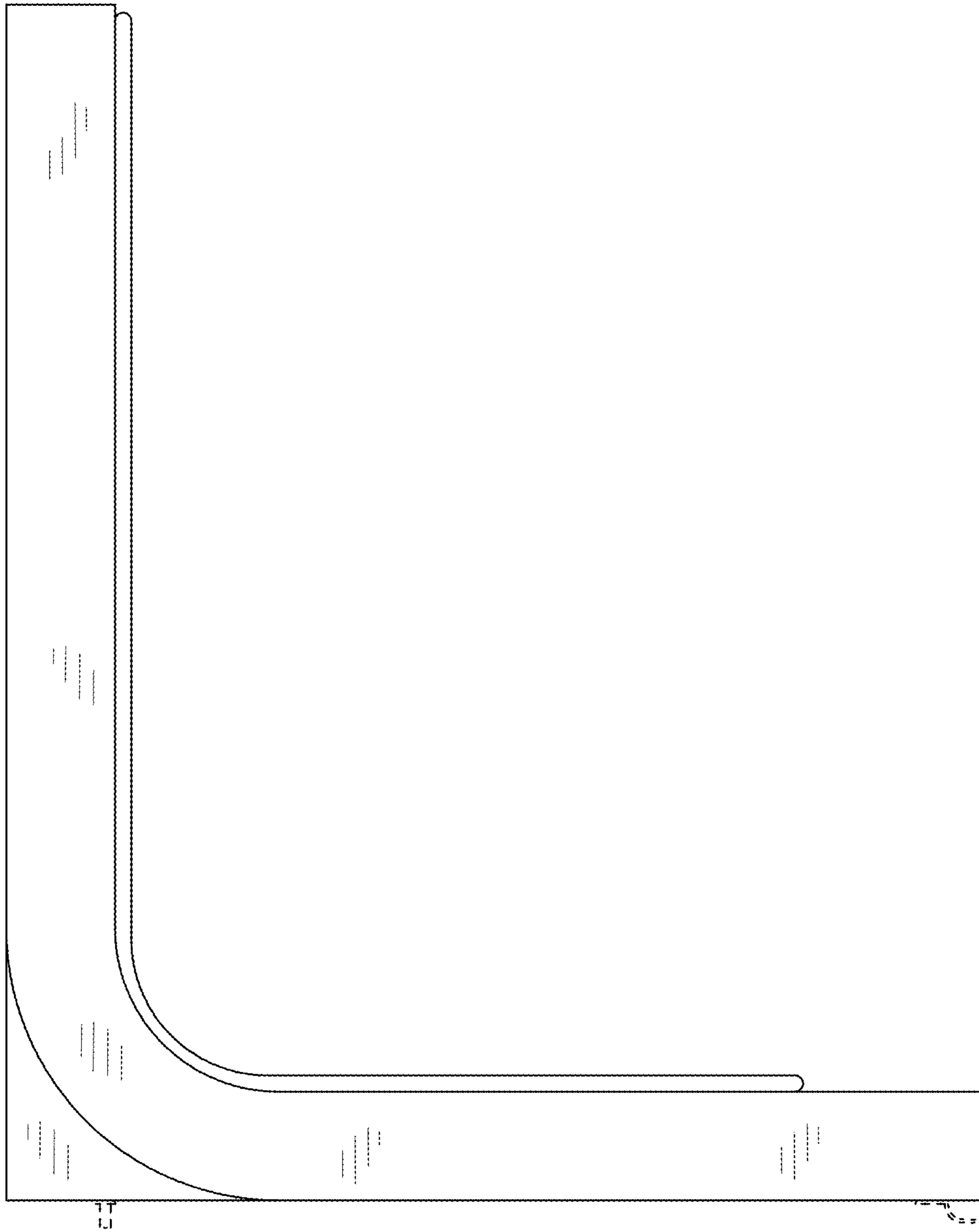


Fig. 4