



US00D890548S

(12) **United States Design Patent**
Cai

(10) **Patent No.:** **US D890,548 S**

(45) **Date of Patent:** **** Jul. 21, 2020**

(54) **STORAGE RACK**

(71) Applicant: **Shenzhen Bingsheng Tea Industry Co., Ltd.**, Shenzhen (CN)

(72) Inventor: **Lingwei Cai**, Shantou (CN)

(**) Term: **15 Years**

(21) Appl. No.: **29/728,871**

(22) Filed: **Mar. 23, 2020**

(51) **LOC (12) Cl.** **06-04**

(52) **U.S. Cl.**
USPC **D6/574**

(58) **Field of Classification Search**
USPC D6/574, 648.2, 654, 681.2, 691.9, 705;
D7/332, 337, 339-341, 346-349,
D7/350.1-351, 362-363, 323, 402-409,
D7/550.1, 552.1, 554.3, 554.4; D15/8,
D15/79, 89; 108/59-60, 91-92, 147.11,
108/149; 211/153, 186-188, 194, 134,
211/90.01; D3/304-307, 314-315
CPC A47J 37/0786; F24C 15/16; F24C 3/082;
F24C 3/085
See application file for complete search history.

(56) **References Cited**

U.S. PATENT DOCUMENTS

D451,054 S * 11/2001 Thom D3/307
D493,995 S * 8/2004 Chen D6/553

D546,584 S 7/2007 Brin
D608,112 S 1/2010 Eilmus
D650,203 S 12/2011 Klein et al.
D731,187 S * 6/2015 Thompson D3/315
D786,557 S * 5/2017 Goodman D3/306
D811,121 S * 2/2018 Goodman D6/549
D812,396 S * 3/2018 Wilson D6/566
D852,539 S * 7/2019 Nilssen D6/574

* cited by examiner

Primary Examiner — Wan Laymon
Assistant Examiner — Mark Booker
(74) *Attorney, Agent, or Firm* — HYIP

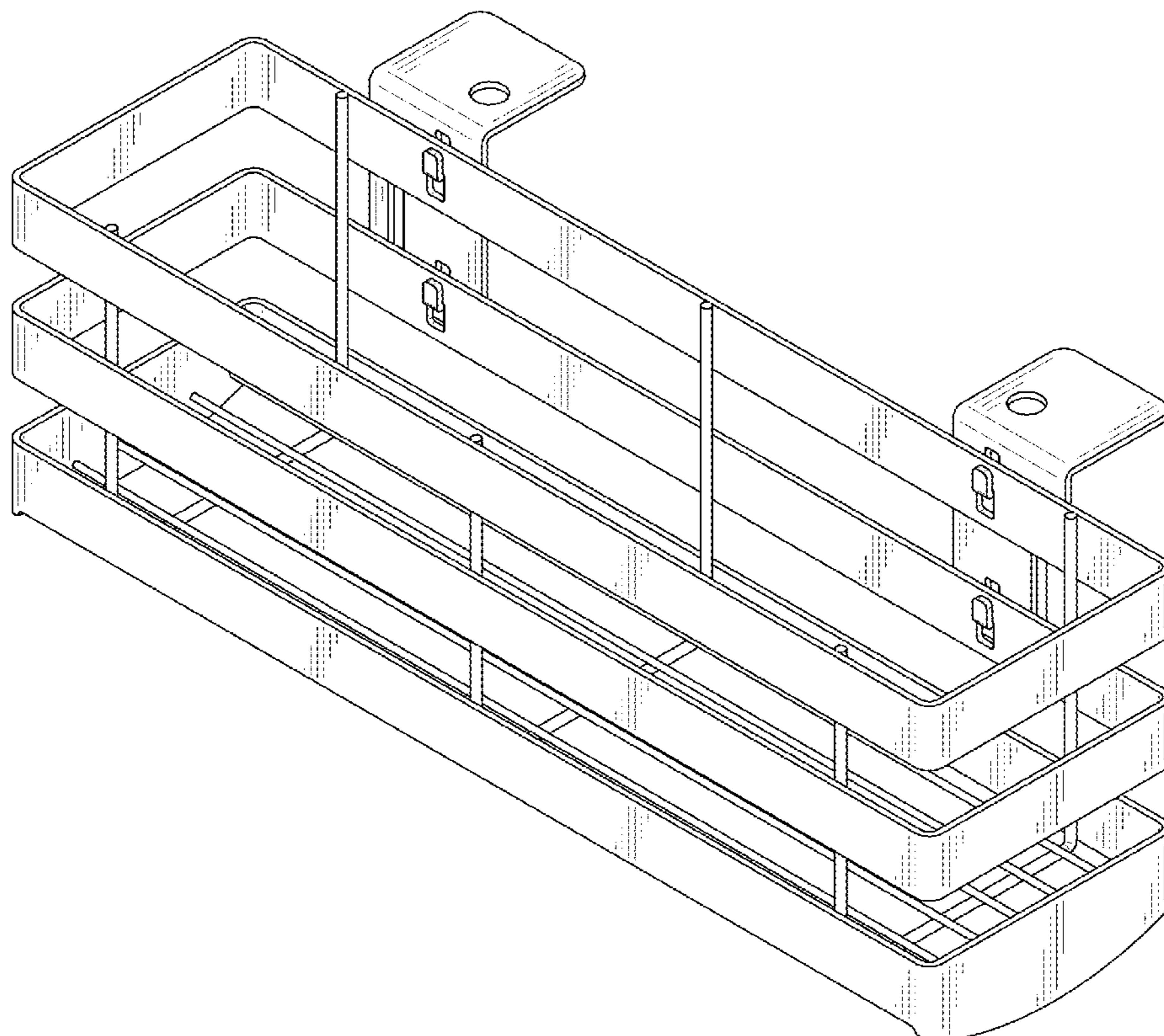
(57) **CLAIM**

The ornamental design for a storage rack, as shown and described.

DESCRIPTION

FIG. 1 is a first perspective view of a storage rack showing my new design;
FIG. 2 is a second perspective view thereof;
FIG. 3 is a front view thereof;
FIG. 4 is a back view thereof;
FIG. 5 is a left side view thereof;
FIG. 6 is a right side view thereof;
FIG. 7 is a top view thereof; and,
FIG. 8 is a bottom view thereof.

1 Claim, 8 Drawing Sheets



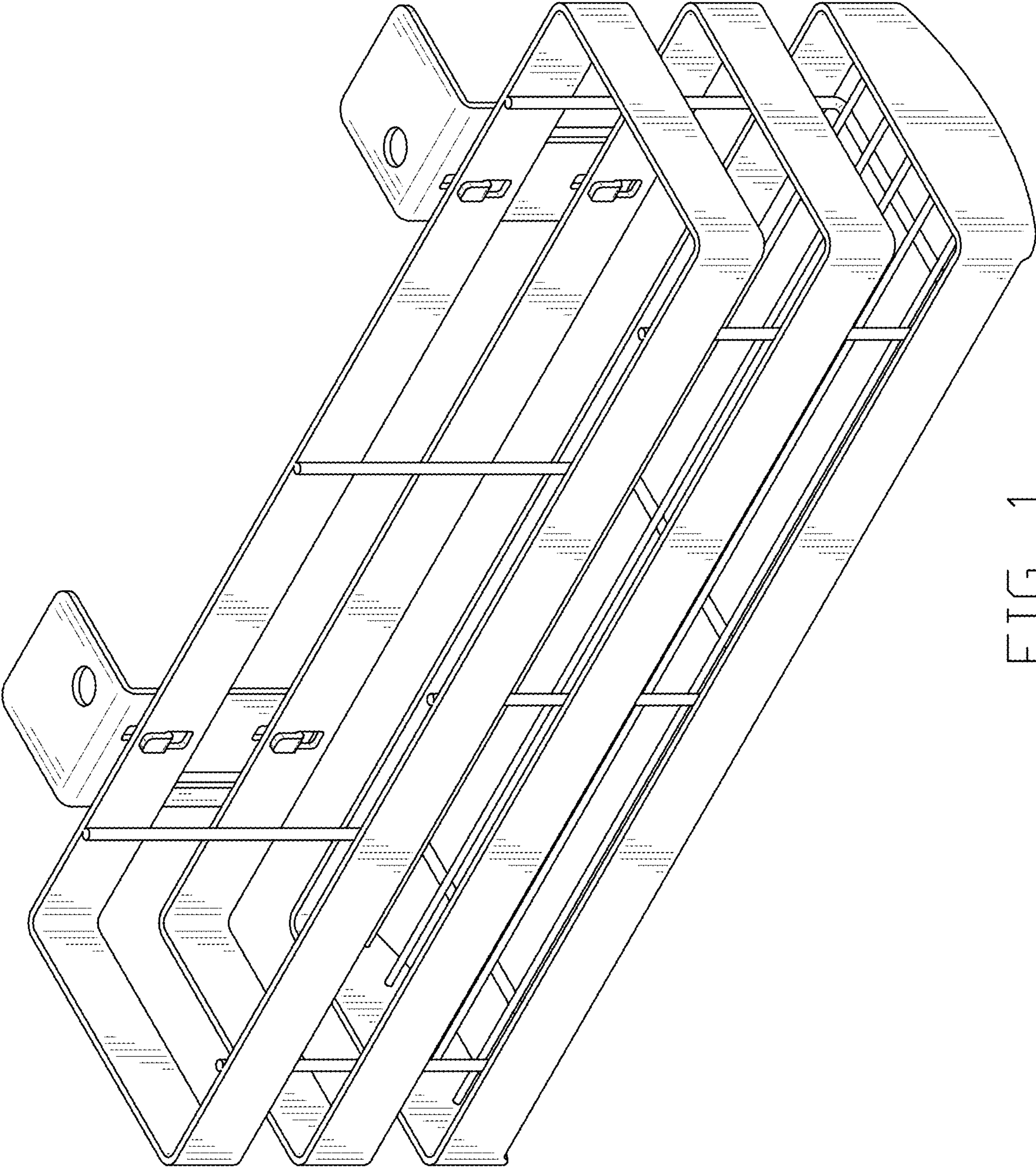


FIG. 1

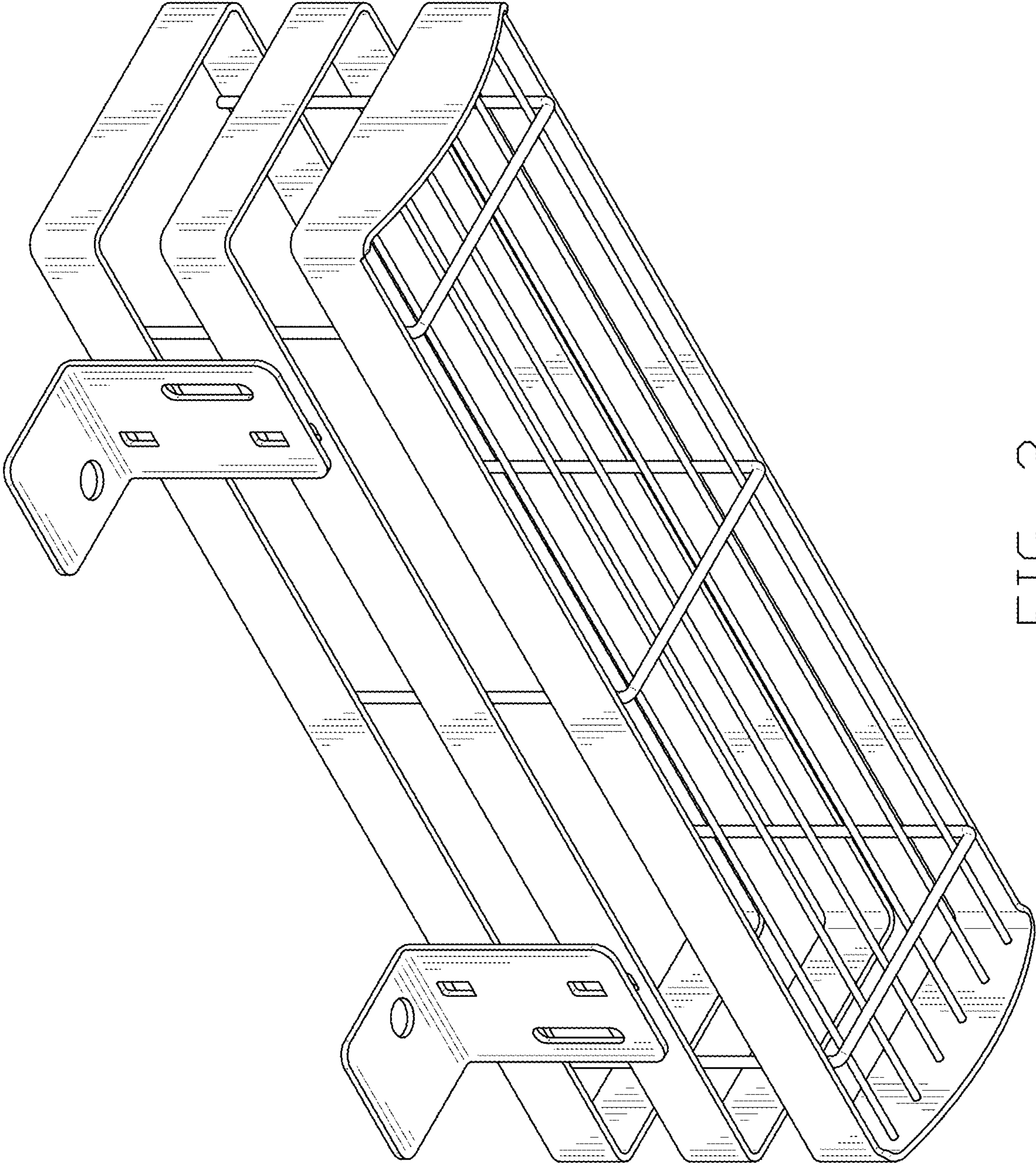


FIG. 2

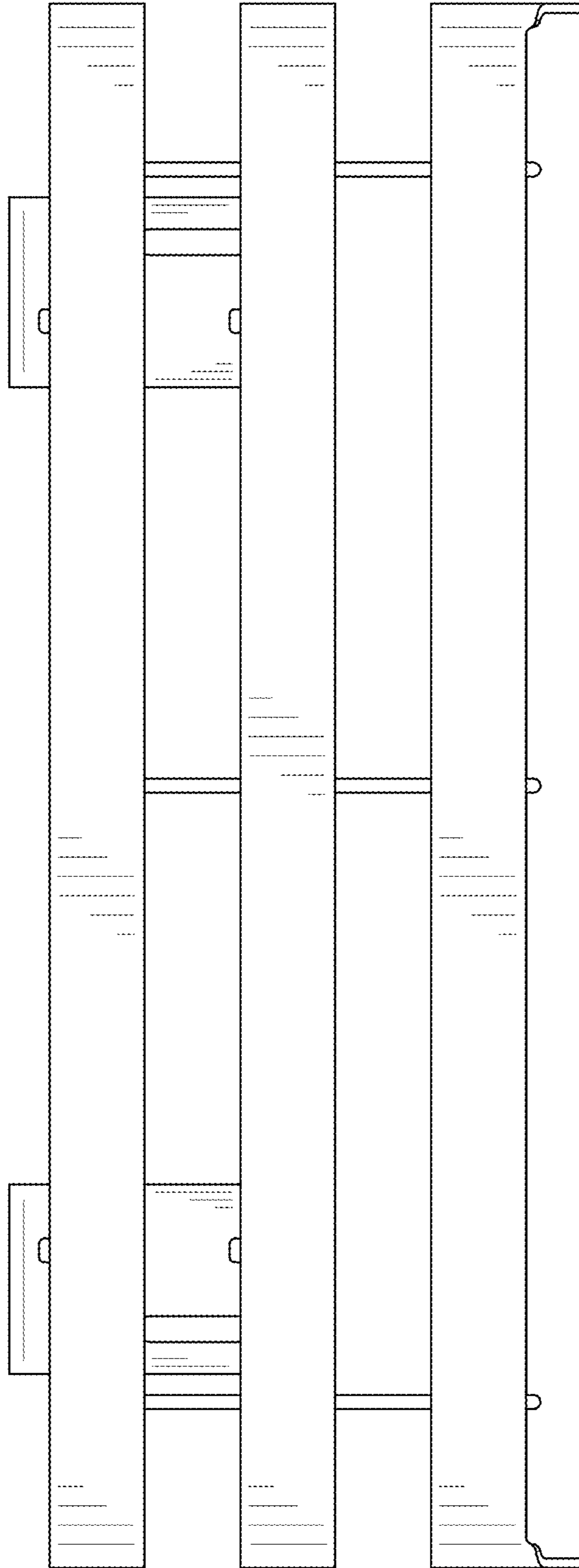


FIG. 3

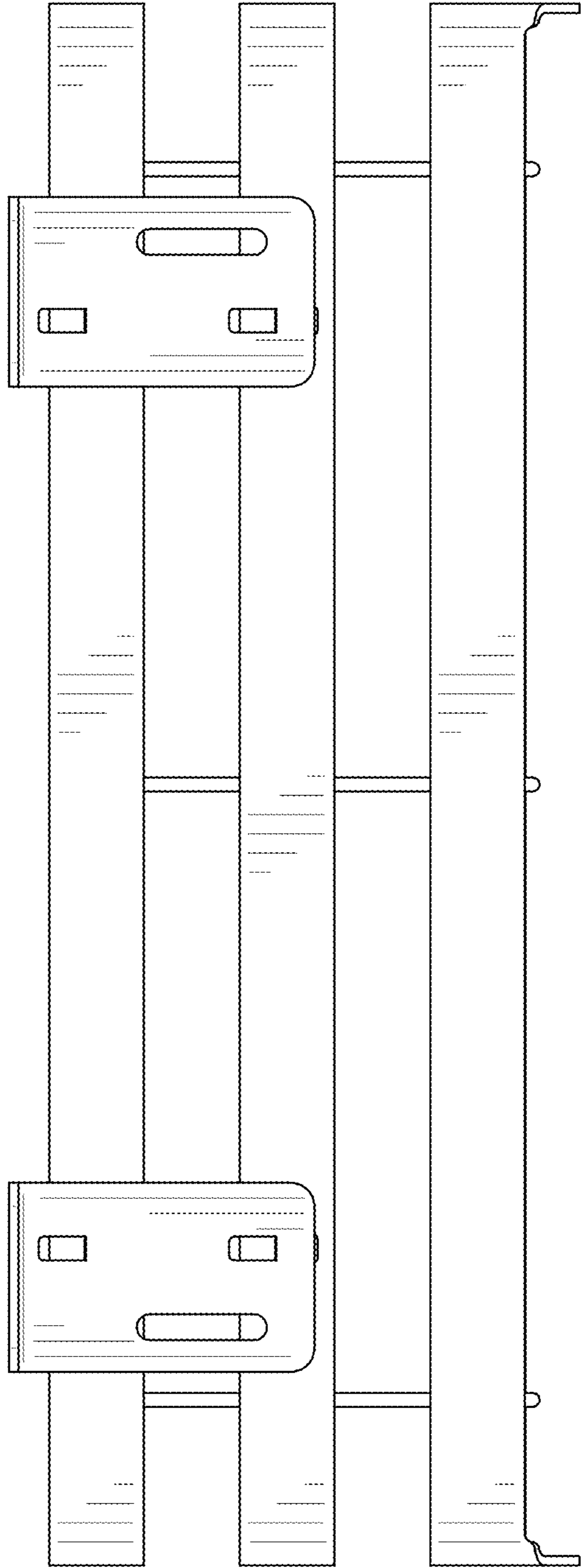


FIG. 4

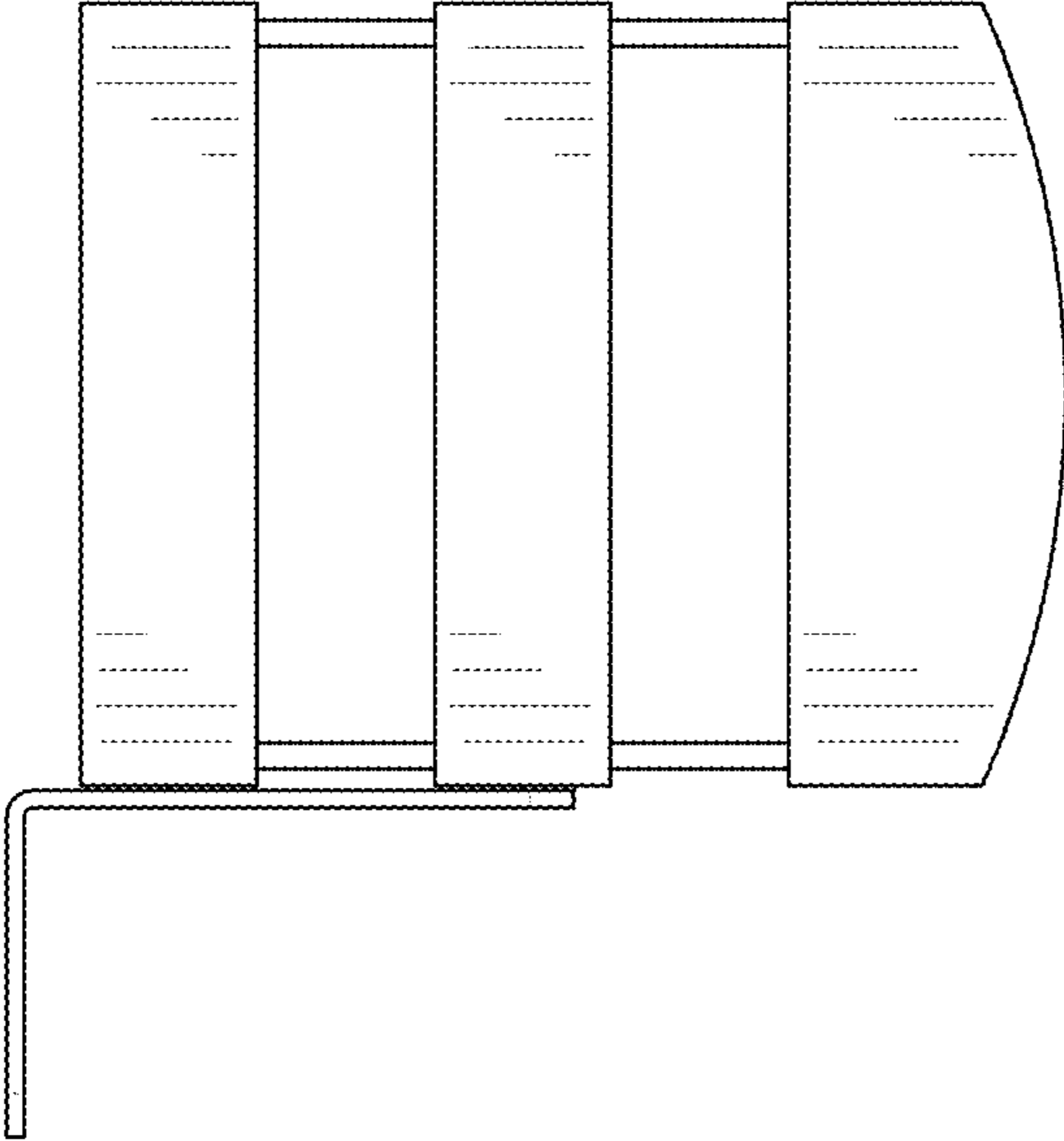


FIG. 5

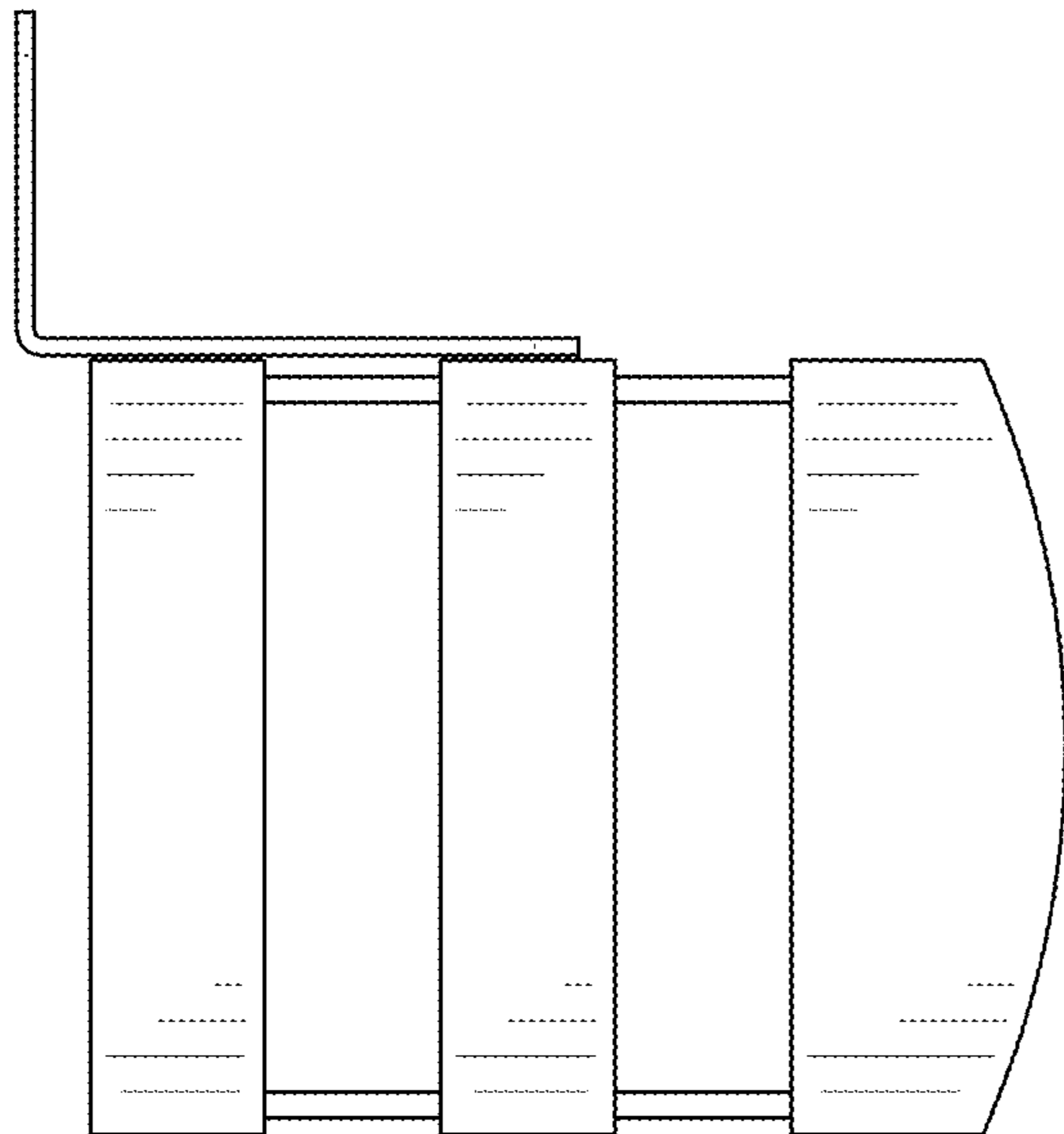


FIG. 6

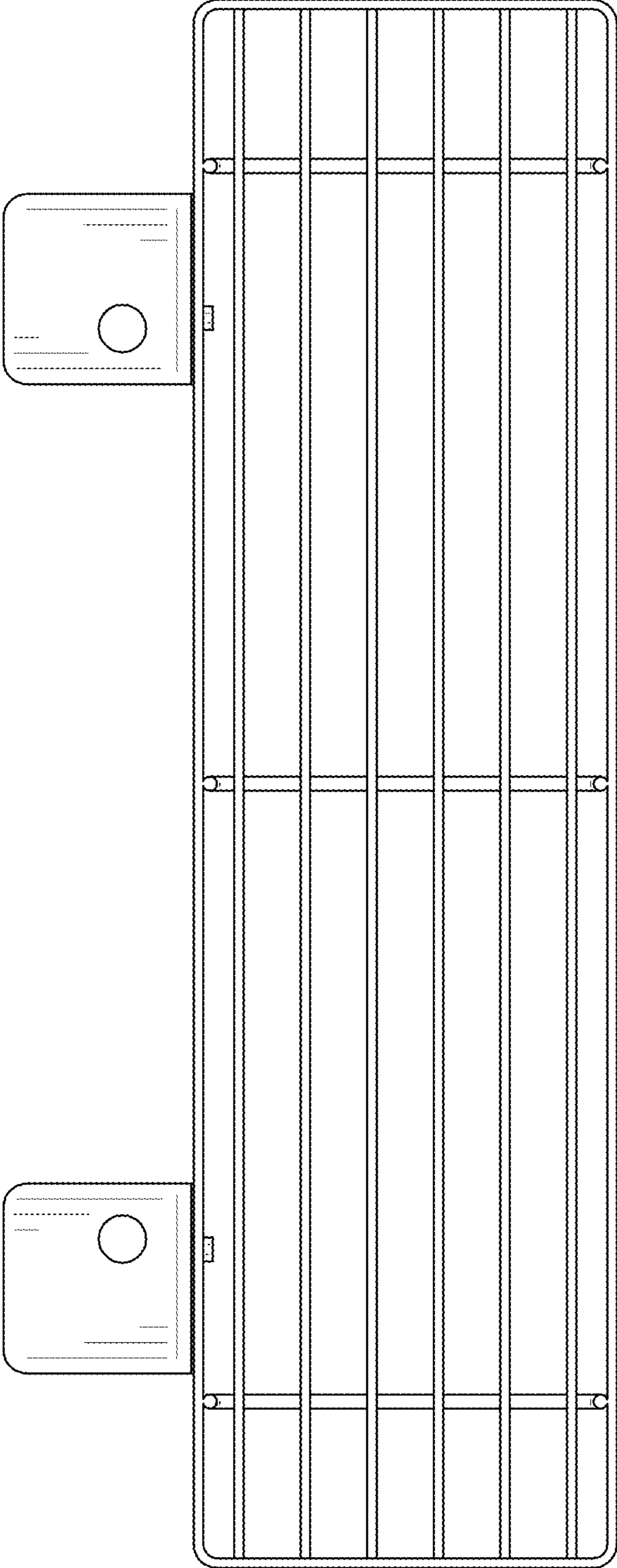


FIG. 7

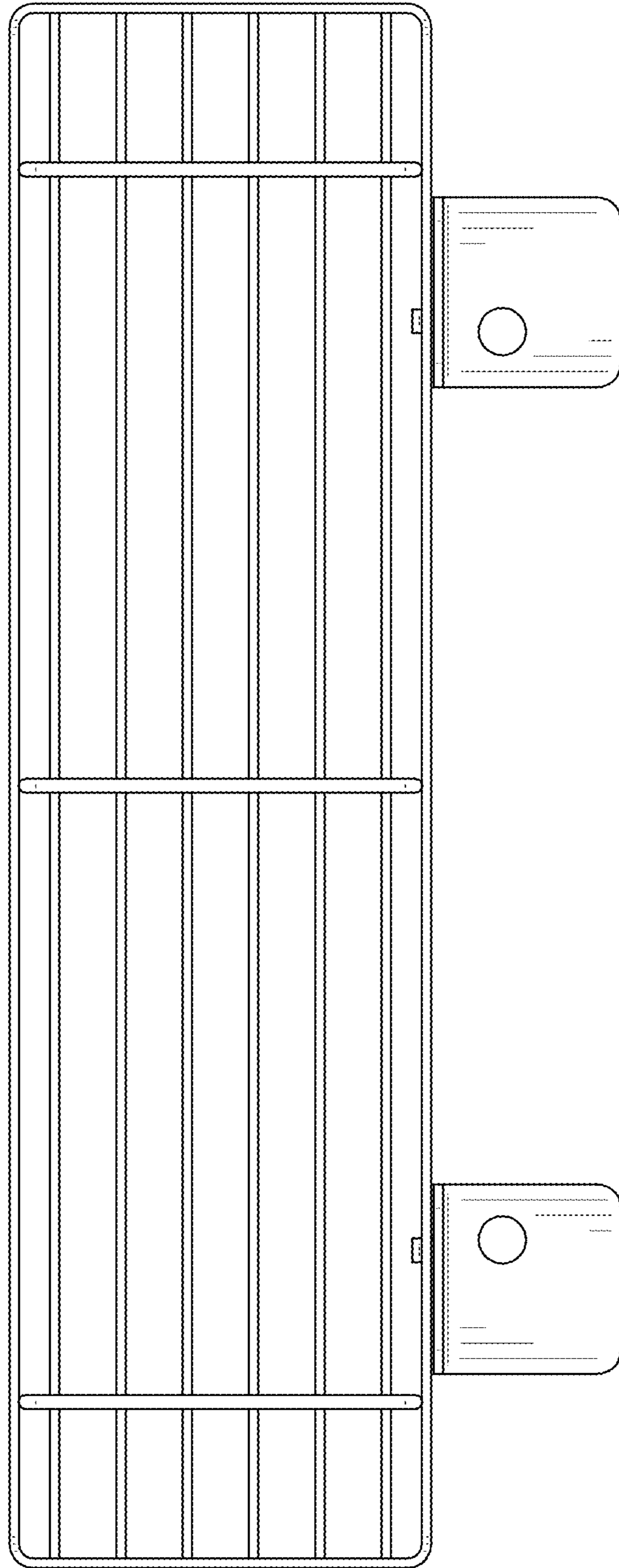


FIG. 8