



US00D890547S

(12) **United States Design Patent**  
**Coleman**

(10) **Patent No.:** **US D890,547 S**

(45) **Date of Patent:** **\*\* Jul. 21, 2020**

(54) **SHOWER ACCESSORY CUP**

D845,662 S \* 4/2019 Ghiorghie ..... D6/525  
D867,015 S \* 11/2019 Ghiorghie ..... D6/525

(71) Applicant: **Terah Coleman**, Brooklyn, NY (US)

\* cited by examiner

(72) Inventor: **Terah Coleman**, Brooklyn, NY (US)

*Primary Examiner* — Wan Laymon

(73) Assignee: **Helen of Troy Limited**, St. Michael (BB)

*Assistant Examiner* — Mark Booker

(74) *Attorney, Agent, or Firm* — Rankin Hill & Clark LLP

(\*\*) Term: **15 Years**

(21) Appl. No.: **29/676,639**

(22) Filed: **Jan. 13, 2019**

(51) **LOC (12) Cl.** ..... **23-02**

(52) **U.S. Cl.**  
USPC ..... **D6/525**

(58) **Field of Classification Search**  
USPC ..... D6/525, 524, 534, 540, 566, 567, 574;  
D3/201, 304, 315, 901; 206/5, 77.1, 207,  
206/349, 361, 363, 812; 211/13.1, 85.1,  
211/85.12, 70.6, 75, 86.01, 87.01, 88.01,  
211/90.03, 106, 119, 126.1, 133.5, 181.1  
CPC ..... A47K 17/00; A47K 3/281; B23P 17/04;  
A47B 57/265; A47B 57/565; A47B 57/26  
See application file for complete search history.

(57) **CLAIM**

The ornamental design for a shower accessory cup, as shown, and described.

**DESCRIPTION**

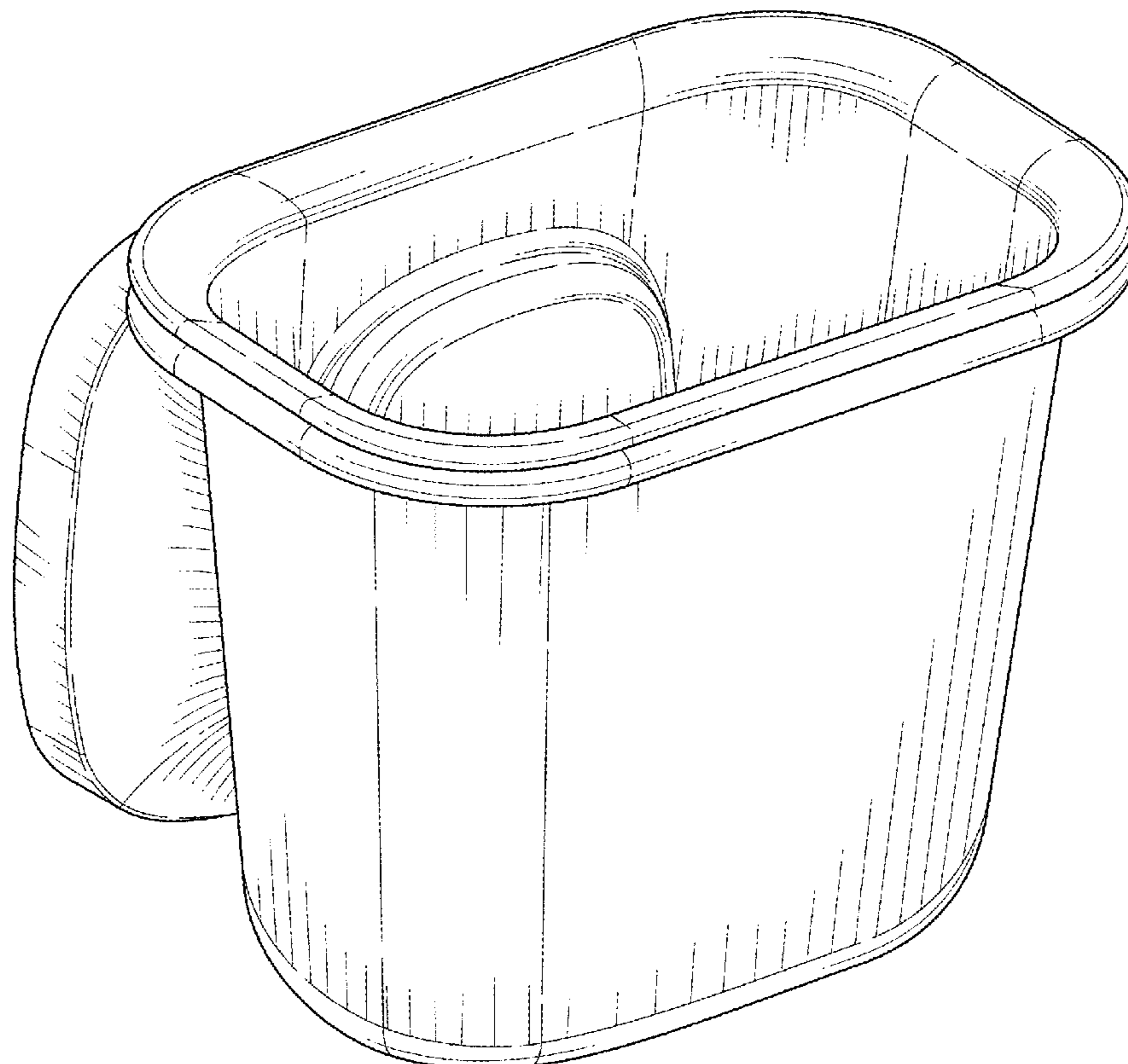
FIG. 1 is a perspective view of a shower accessory cup;  
FIG. 2 is a front elevation view thereof;  
FIG. 3 is a rear elevation view thereof;  
FIG. 4 is a right side view thereof;  
FIG. 5 is a left side view thereof;  
FIG. 6 is a top plan view thereof; and,  
FIG. 7 is a bottom plan view thereof.  
The broken lines shown in the figures represent portions of the shower accessory cup that form no part of the claimed design.

(56) **References Cited**

**U.S. PATENT DOCUMENTS**

D626,363 S \* 11/2010 Yang ..... D6/525  
D679,528 S \* 4/2013 Gilboe ..... D6/525

**1 Claim, 7 Drawing Sheets**



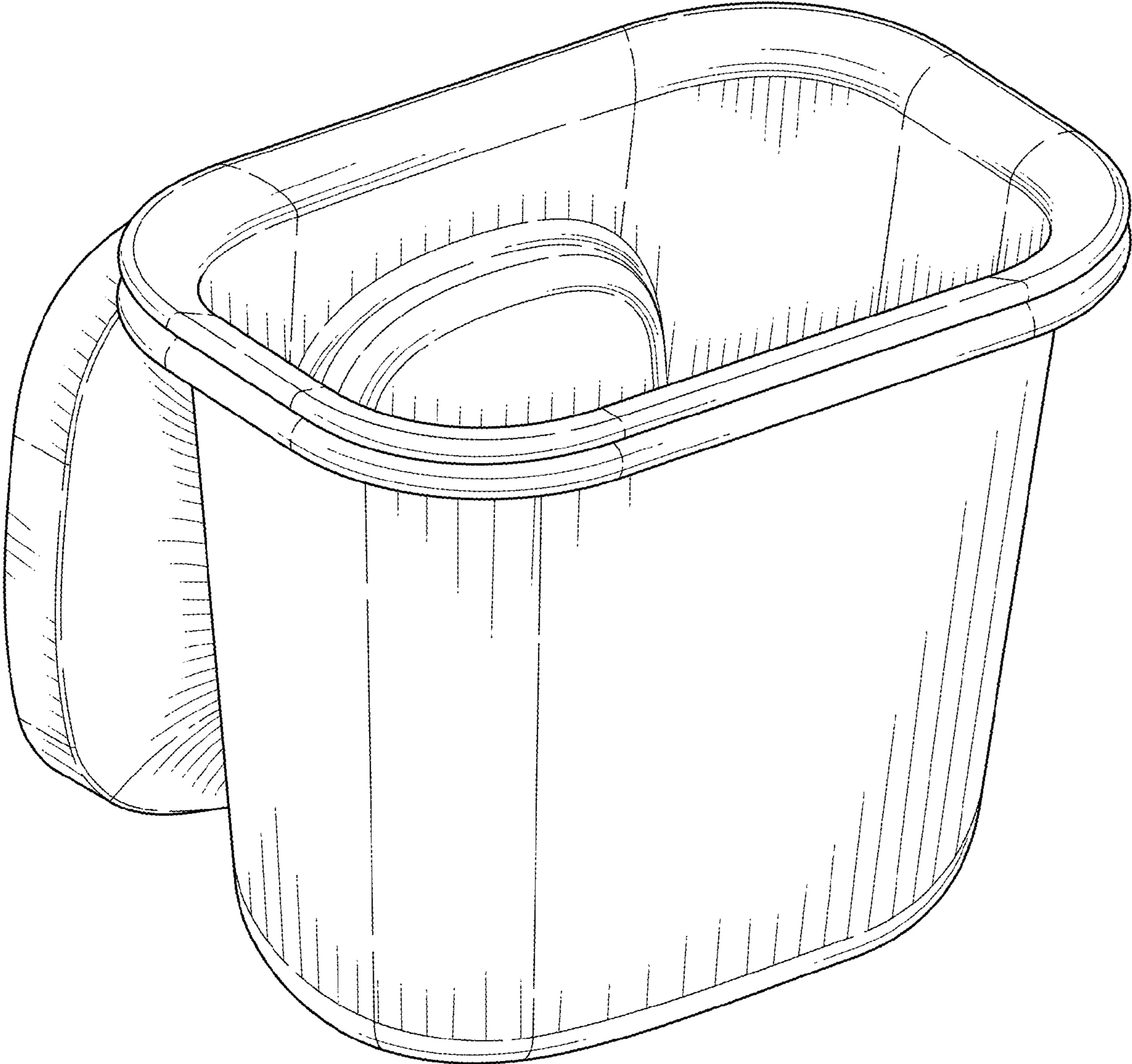


FIG. 1

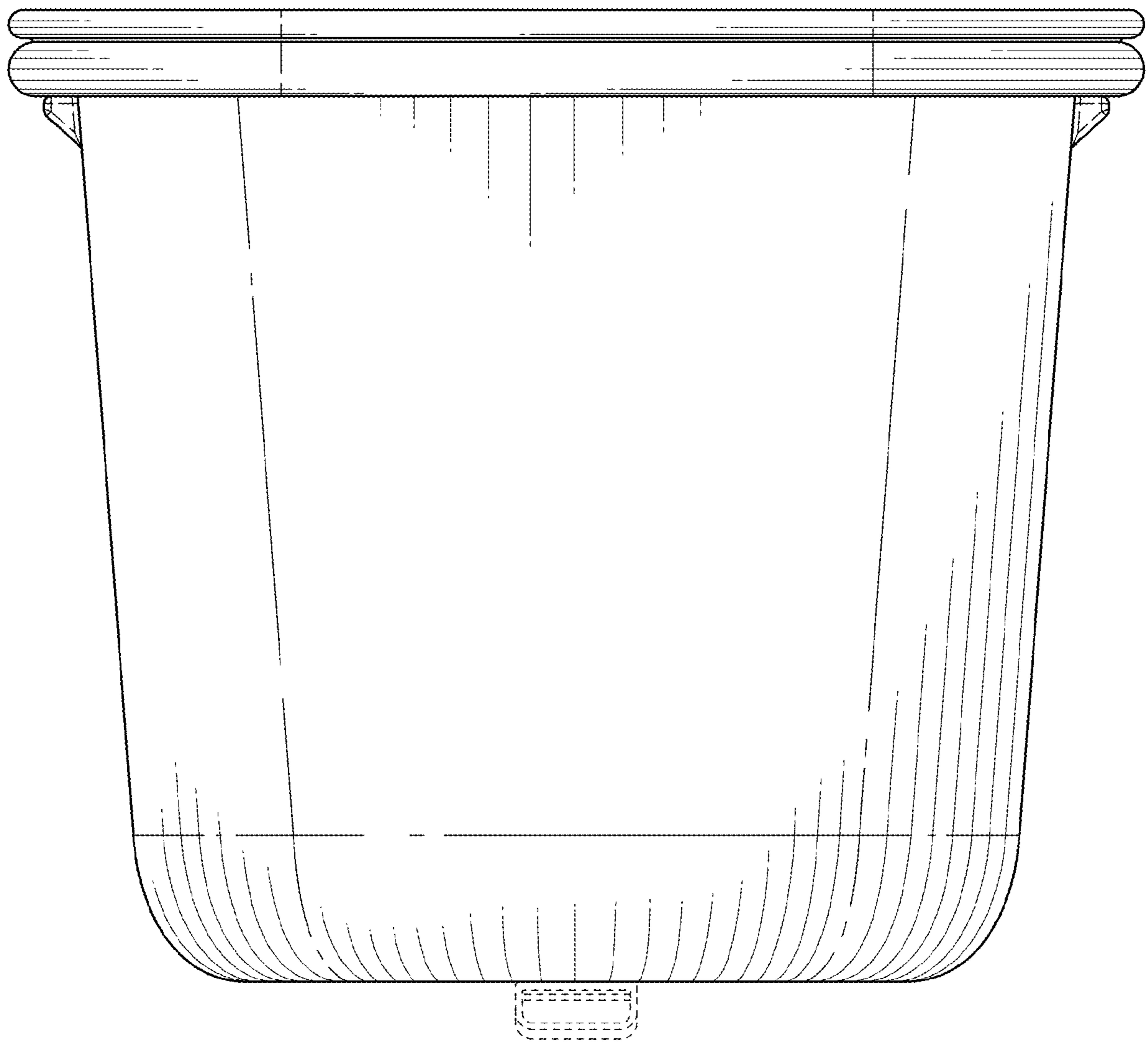


FIG. 2

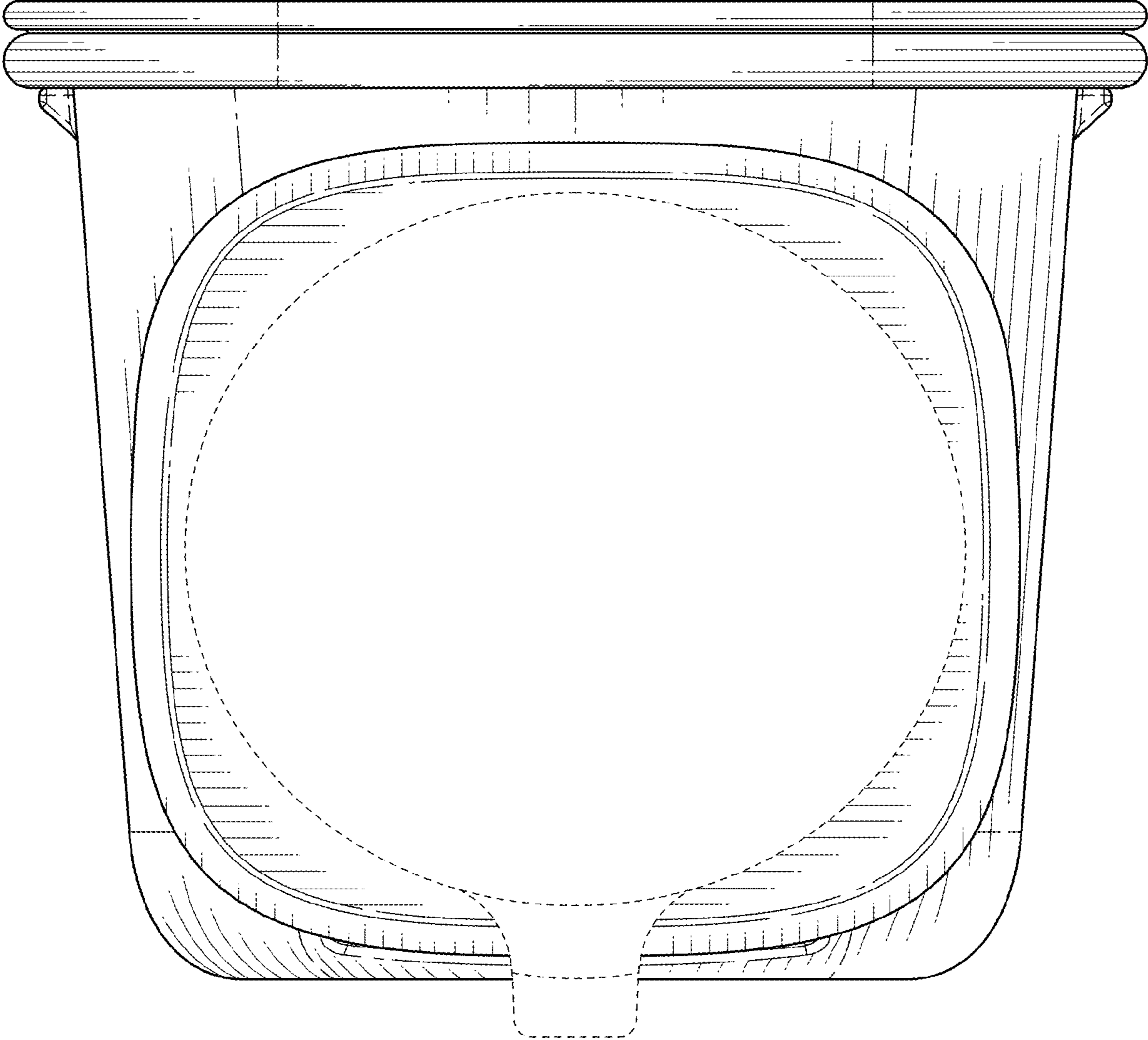


FIG. 3

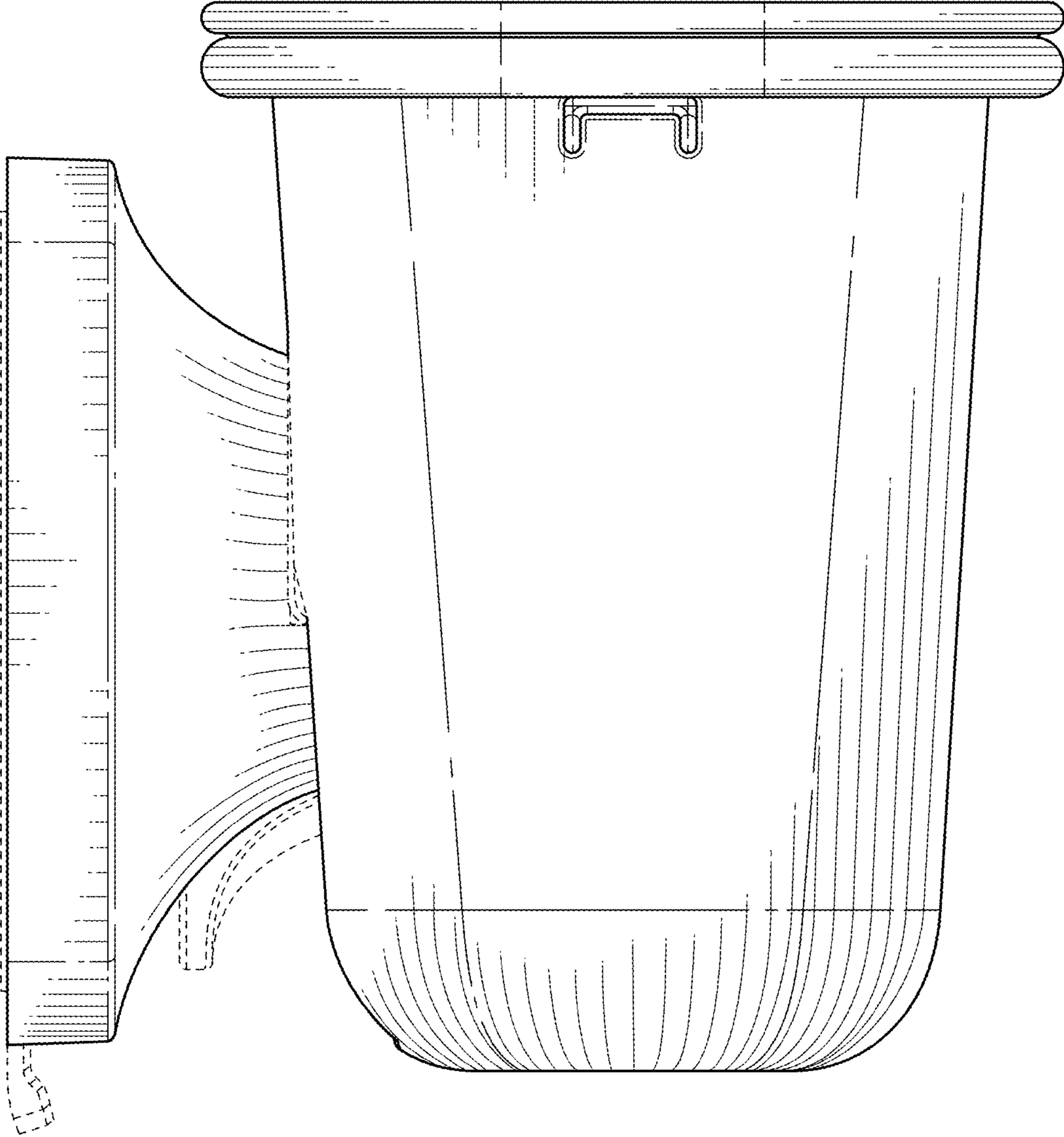


FIG. 4



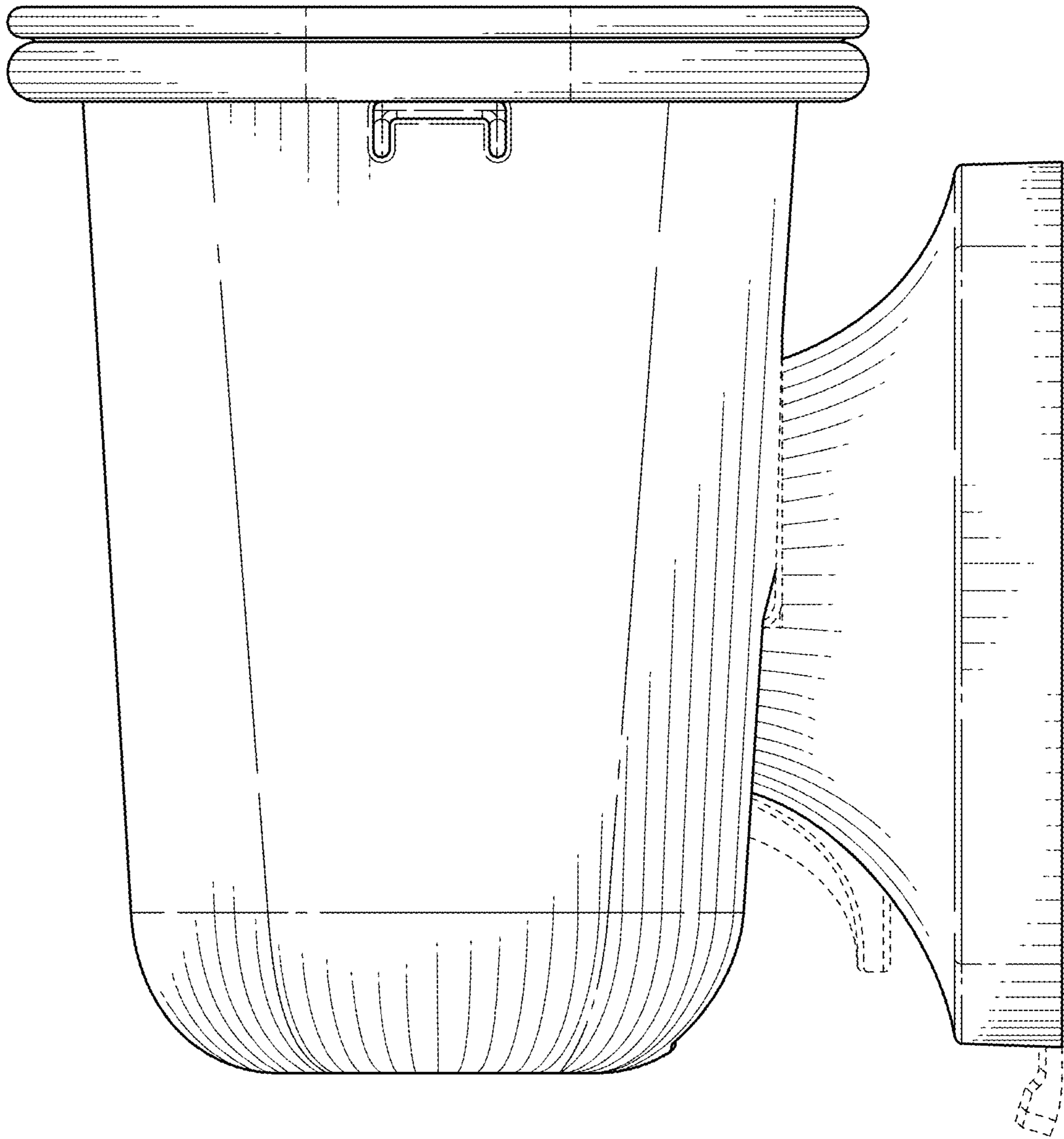


FIG. 5

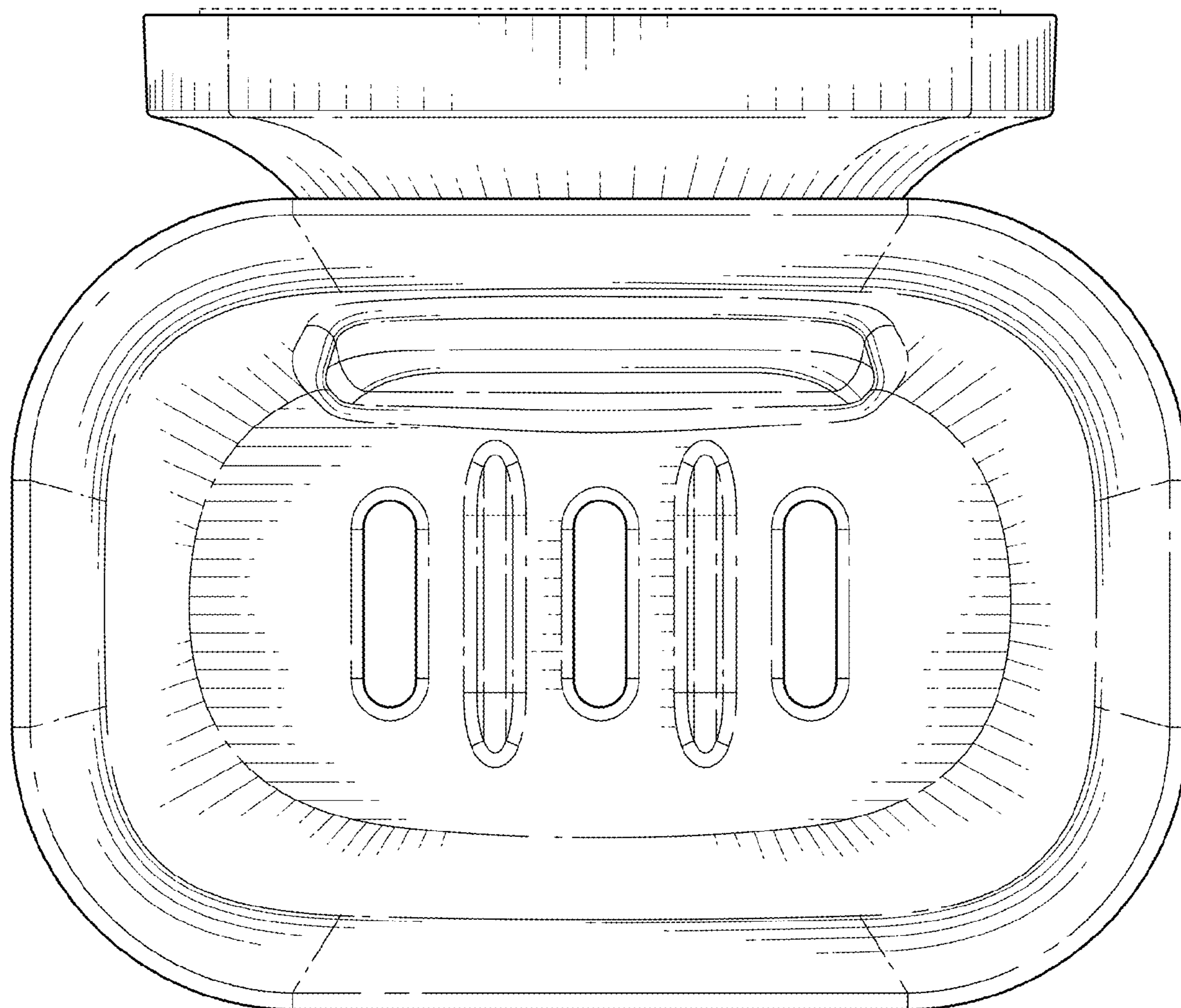


FIG. 6

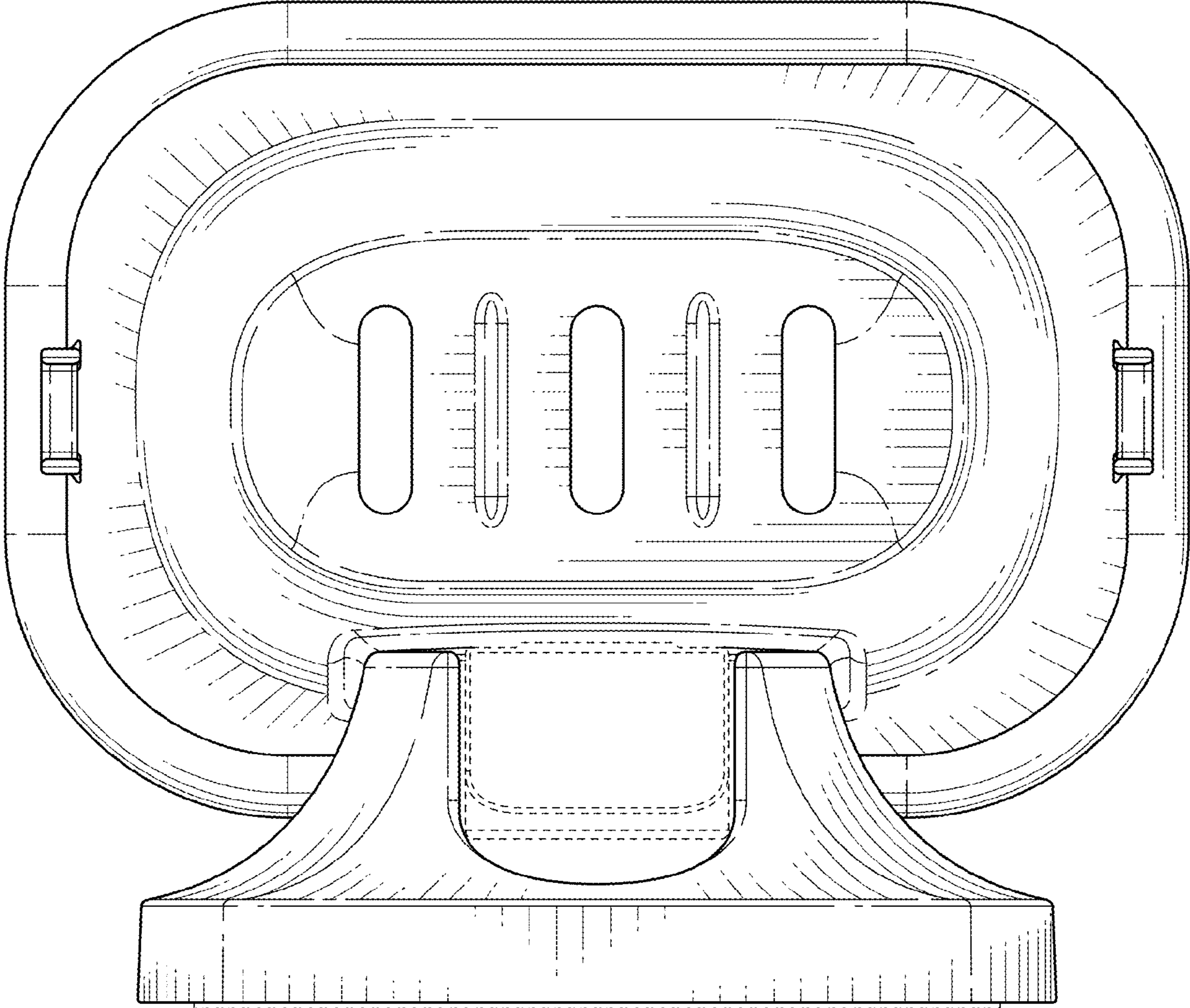


FIG. 7