



US00D890543S

(12) **United States Design Patent**
Chen

(10) **Patent No.:** **US D890,543 S**

(45) **Date of Patent:** **** Jul. 21, 2020**

(54) **CHAIR**

(71) Applicant: **XuHui Chen**, Zhejiang (CN)

(72) Inventor: **XuHui Chen**, Zhejiang (CN)

(**) Term: **15 Years**

(21) Appl. No.: **29/645,522**

(22) Filed: **Apr. 27, 2018**

(51) **LOC (12) Cl.** **06-01**

(52) **U.S. Cl.**
USPC **D6/379; D6/380**

(58) **Field of Classification Search**
USPC D6/334-336, 366, 369, 371, 372, 373,
D6/374, 375, 379, 380, 716, 716.1, 716.2,
D6/716.3, 716.4
CPC A47C 3/04; A47C 3/12; A47C 4/02; A47C
4/028; A47C 4/03; A47C 5/12; A47C
7/16

See application file for complete search history.

(56) **References Cited**

U.S. PATENT DOCUMENTS

D207,840 S *	6/1967	Rodrigo	D6/375
D235,496 S *	6/1975	Noda	D6/379
D422,423 S *	4/2000	Lin	D6/369
D474,621 S *	5/2003	Pesso	D6/379
D559,002 S *	1/2008	Williams	D6/374

D640,067 S *	6/2011	Weimer	D6/379
D648,553 S *	11/2011	Wilson	D6/366
D690,953 S *	10/2013	Alken	D6/380
D766,004 S *	9/2016	Galiotto	D6/369
D774,793 S *	12/2016	Cazzaniga	D6/369
D834,851 S *	12/2018	Jehs	D6/380
D836,934 S *	1/2019	Gufler	D6/380
D876,855 S *	3/2020	Vanderminde	D6/379

* cited by examiner

Primary Examiner — Mimososa De

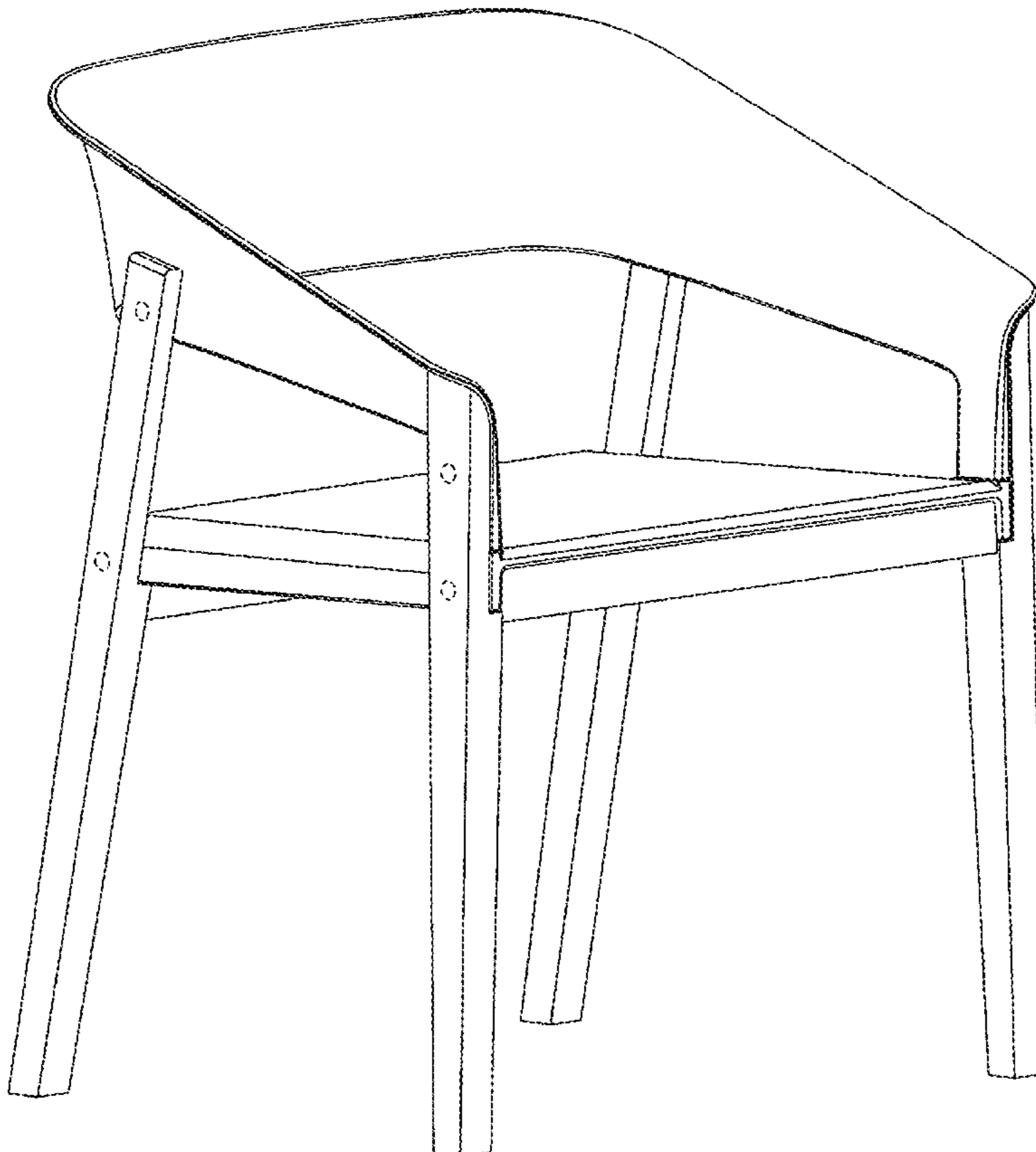
(57) **CLAIM**

The ornamental design for a chair, as shown and described.

DESCRIPTION

FIG. 1 is a front elevational view of a chair showing my new design;
FIG. 2 is a rear elevational view thereof;
FIG. 3 is a right side view in enlarge scale thereof;
FIG. 4 is a left side view in enlarge scale thereof;
FIG. 5 is a top plan view thereof;
FIG. 6 is a bottom plan view thereof;
FIG. 7 is a perspective view thereof; and,
FIG. 8 is another perspective view thereof.
The broken lines shown in Figs. form no part of the claimed design.

1 Claim, 8 Drawing Sheets



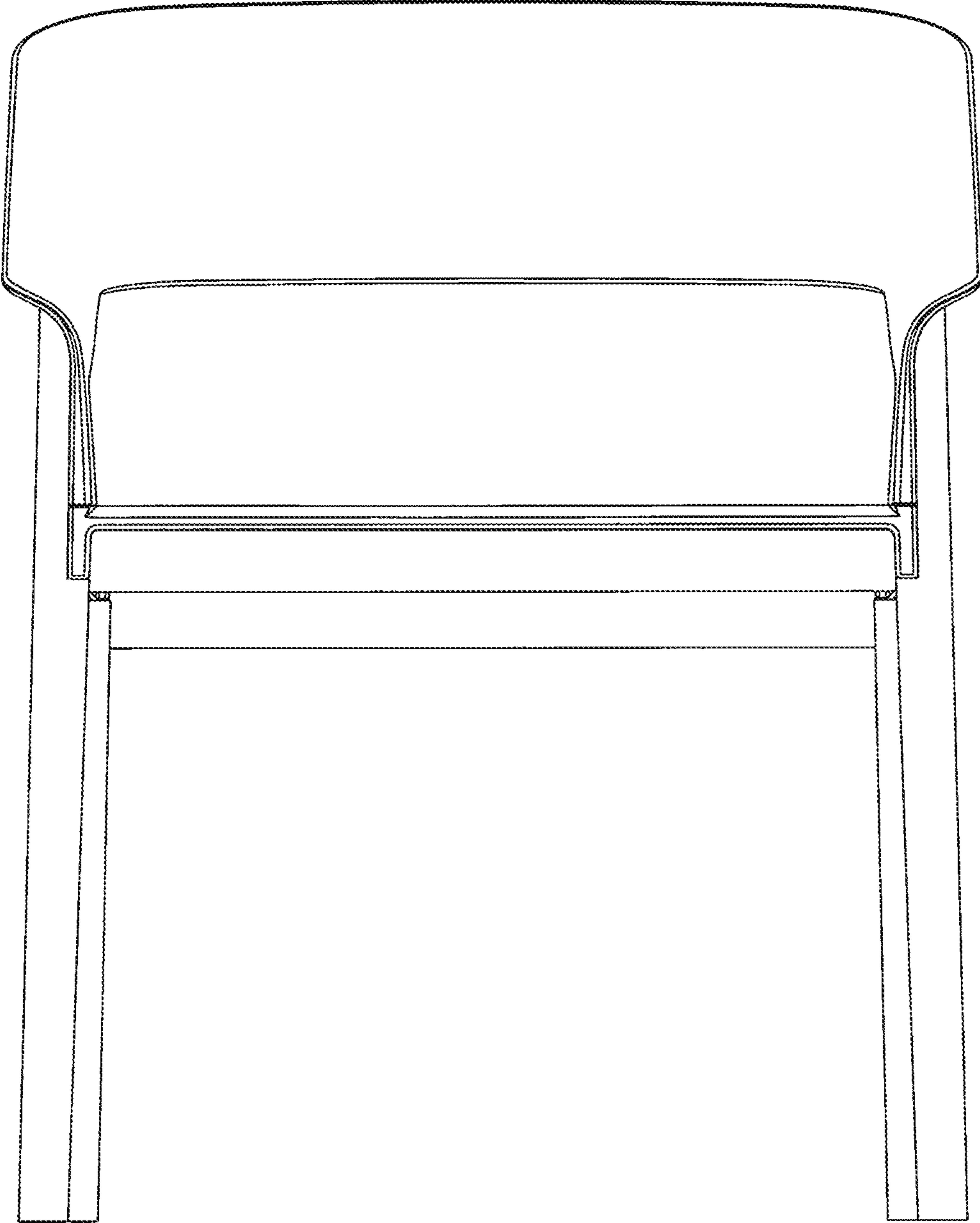


Fig. 1

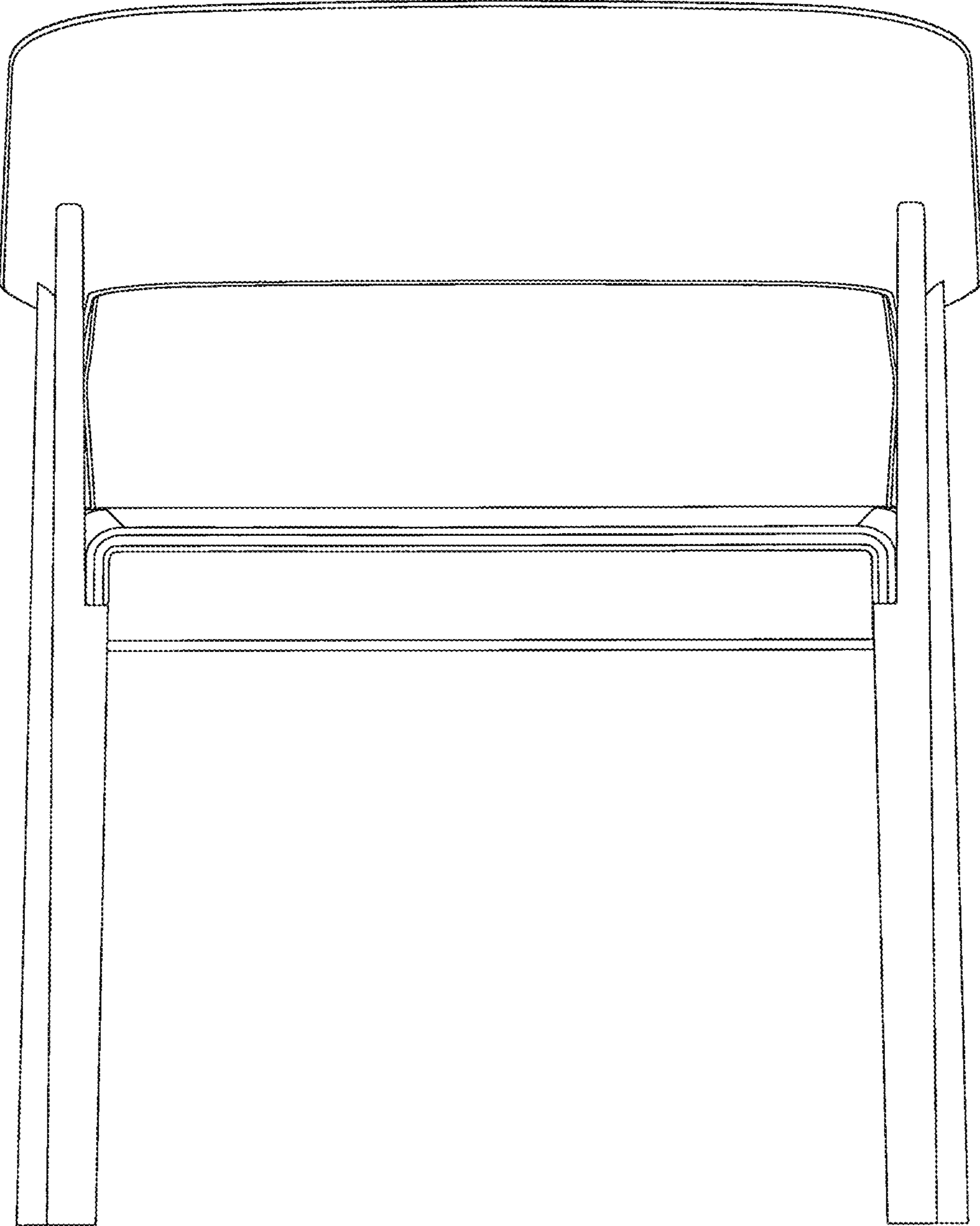


Fig. 2

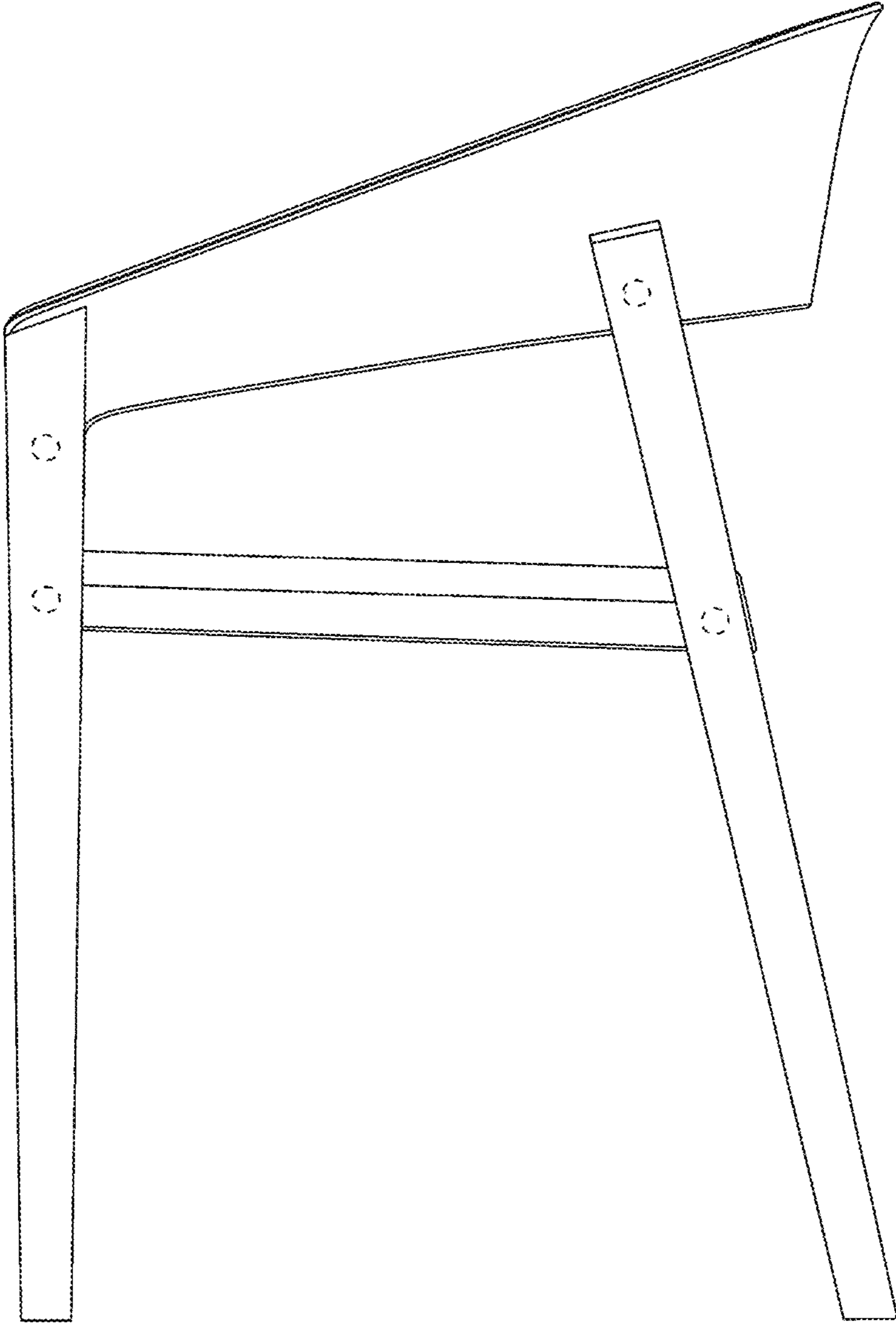


FIG.3

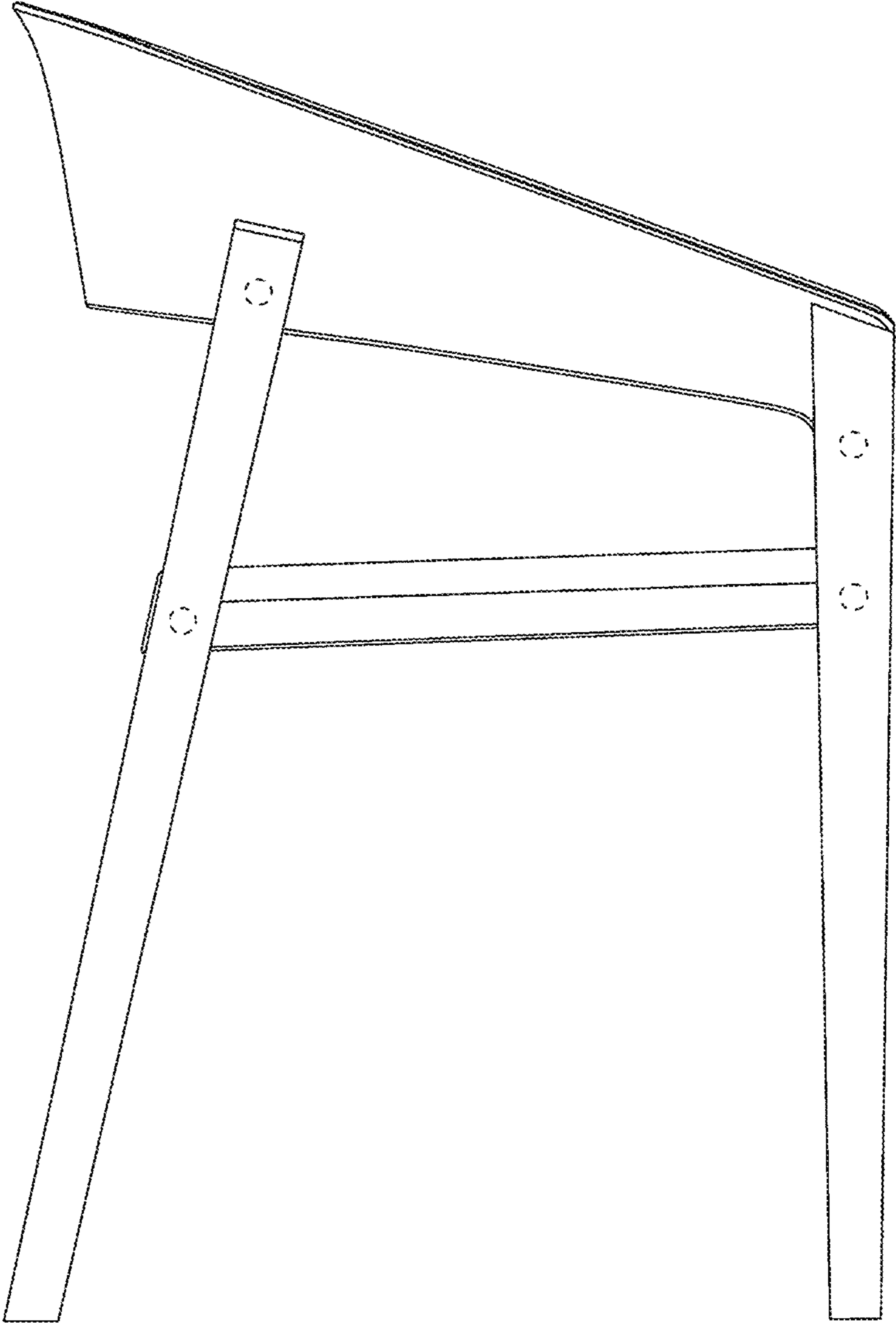


FIG.4

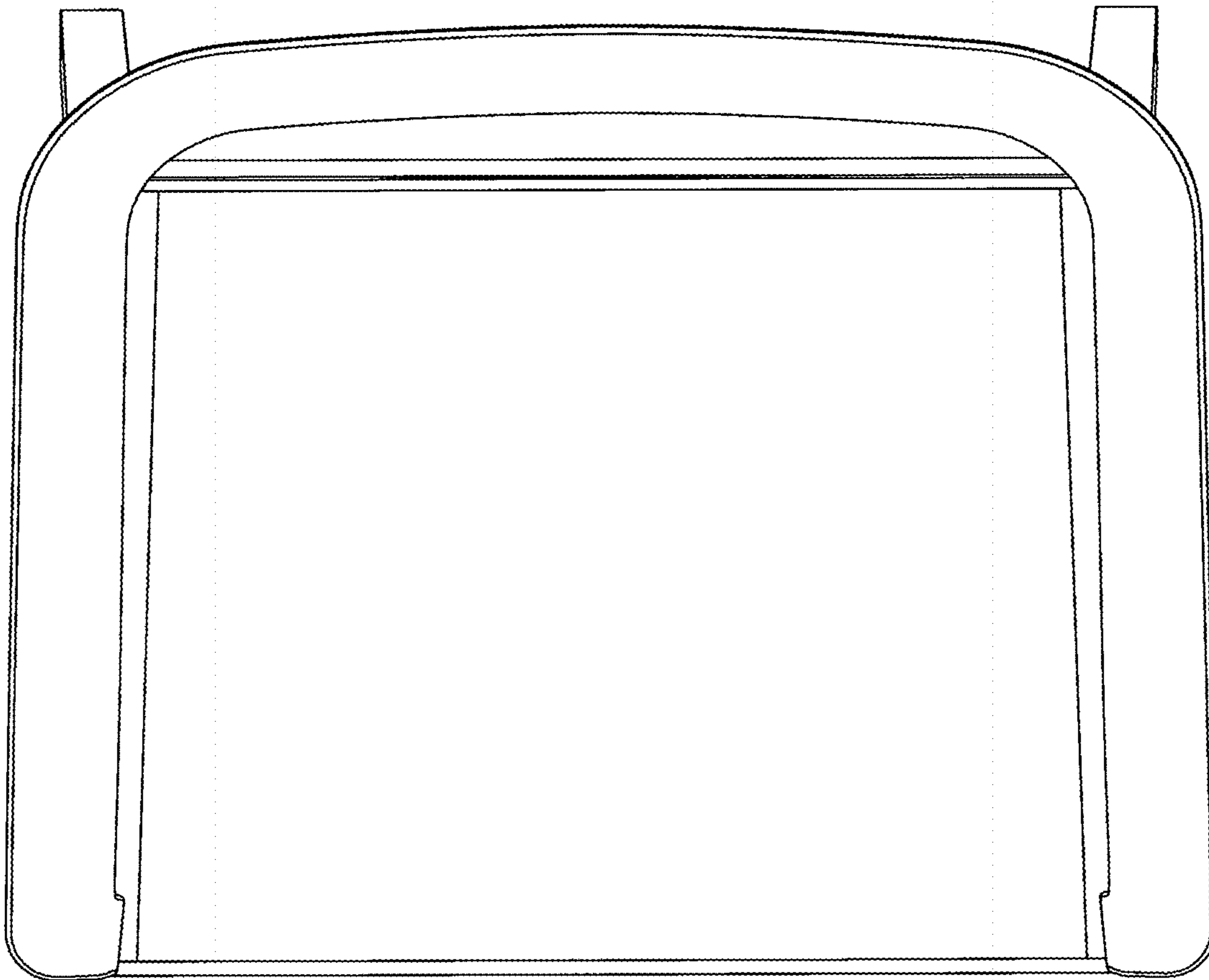


Fig. 5

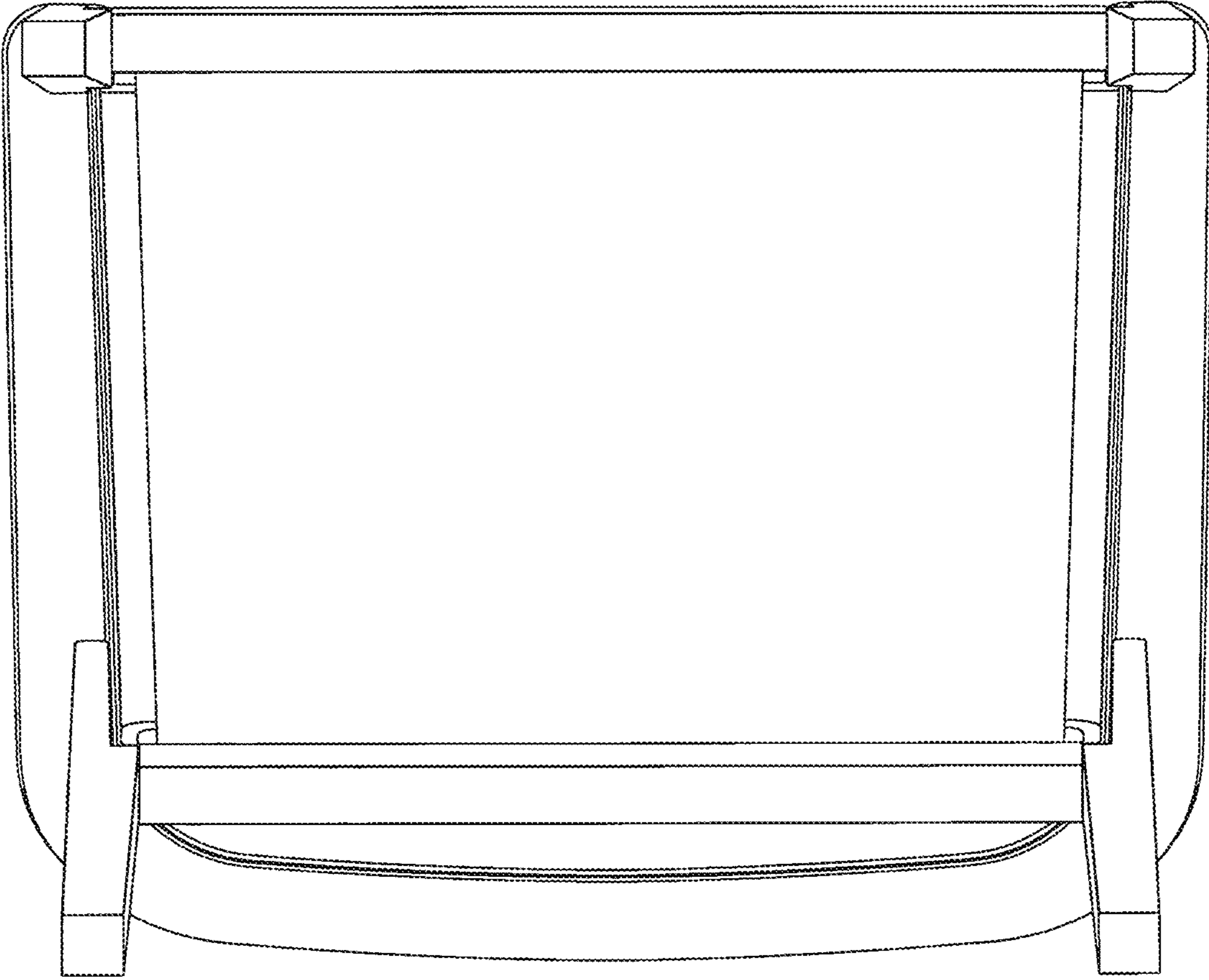


Fig. 6

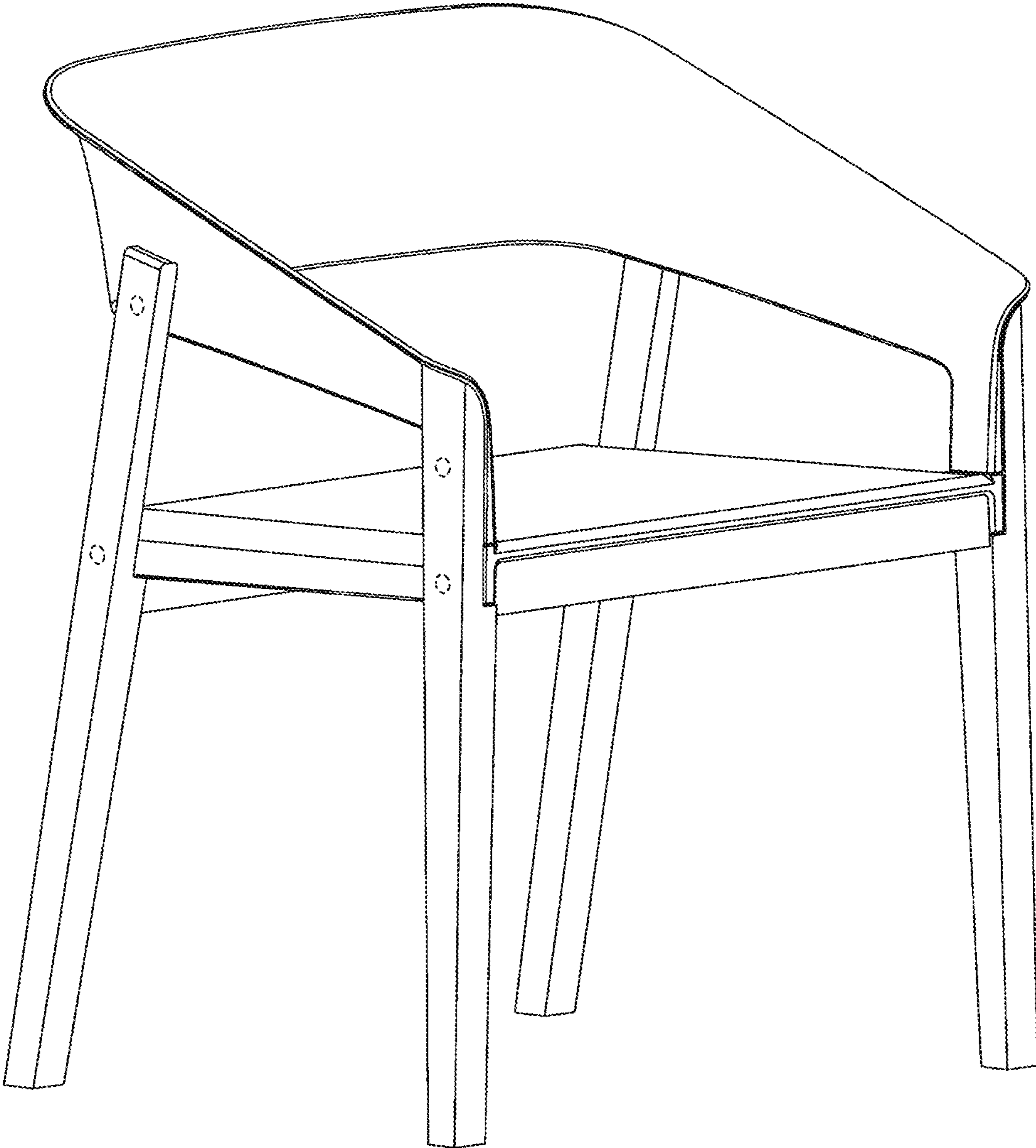


FIG. 7

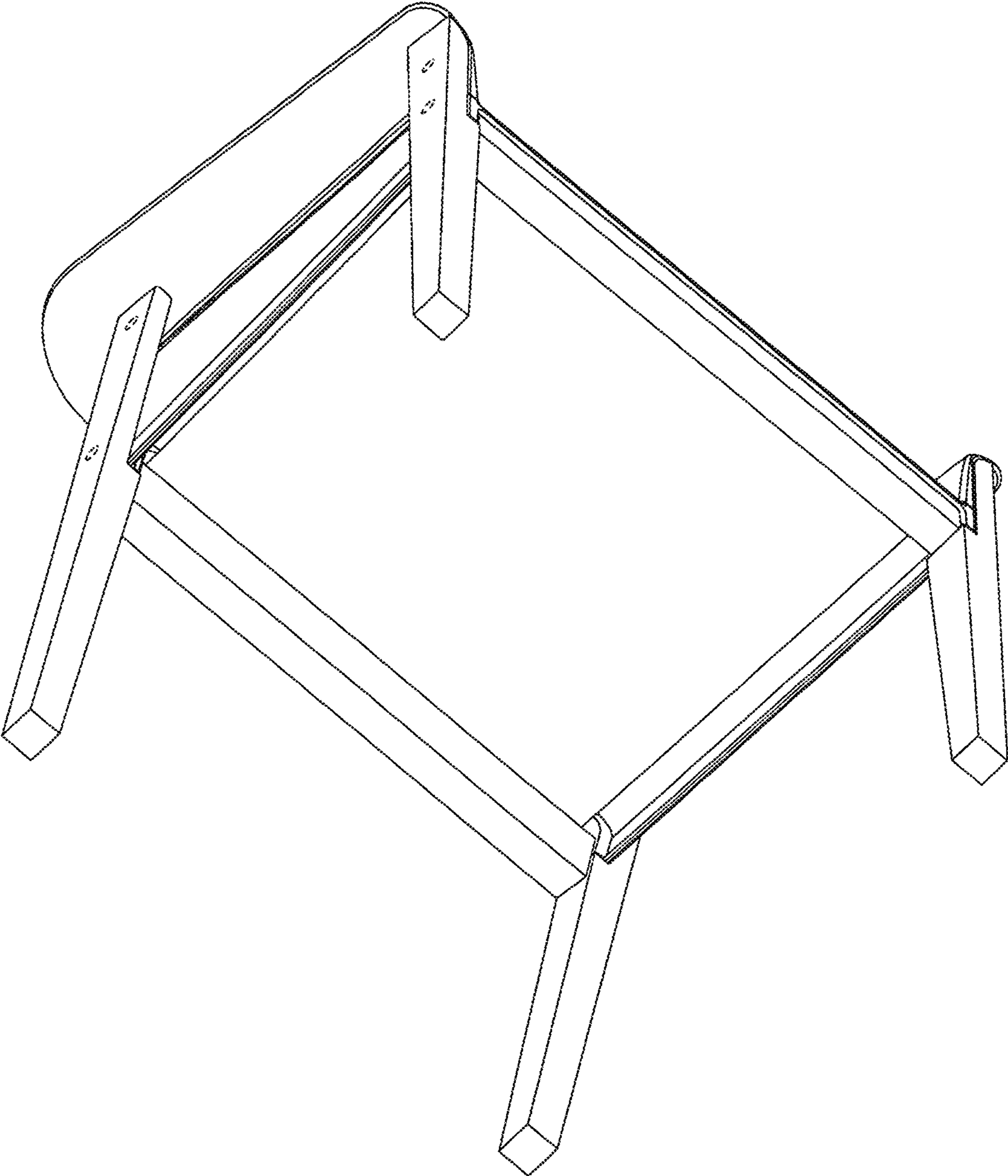


FIG. 8