



US00D890542S

(12) **United States Design Patent** (10) **Patent No.:** **US D890,542 S**  
**Bellini** (45) **Date of Patent:** **\*\* Jul. 21, 2020**

(54) **FURNITURE SEATING**  
(71) Applicant: **Exemplis LLC**, Cypress, CA (US)  
(72) Inventor: **Claudio Bellini**, Milan (IT)  
(73) Assignee: **EXEMPLIS LLC**, Cypress, CA (US)  
(\*\*) Term: **15 Years**  
(21) Appl. No.: **29/650,976**  
(22) Filed: **Jun. 11, 2018**  
(51) **LOC (12) Cl.** ..... **06-01**  
(52) **U.S. Cl.**  
USPC ..... **D6/377**  
(58) **Field of Classification Search**  
USPC ..... D6/334, 335, 349, 353, 354, 356, 360,  
D6/361, 362, 364, 365, 366, 371, 374,  
D6/375, 377, 379, 380, 381  
CPC .... A47C 4/02; A47C 4/04; A47C 4/52; A47C  
11/00; A47C 15/002; A47C 1/00; A47C  
1/03; A47C 7/002  
See application file for complete search history.

D849,427 S \* 5/2019 Lissoni ..... D6/336  
D850,893 S \* 6/2019 Lissoni ..... D8/381  
D854,851 S \* 7/2019 Smrstick ..... D6/381

**FOREIGN PATENT DOCUMENTS**

CN ZL 201830715419.4 9/2019

**OTHER PUBLICATIONS**

Cameo by SitOnit Seating, dated 2019, found on Jan. 31, 2020 at <https://www.architonic.com/en/product/sitonit-seating-cameo/20046332>.  
Cameo, Ideon design, Design with Distinction, date unknown, found on Jan. 31, 2020 at <http://www.ideondesign.com/productcatalog/cameo.html>.

\* cited by examiner

*Primary Examiner* — Karen S Acker  
(74) *Attorney, Agent, or Firm* — Knobbe, Martens, Olson & Bear, LLP

(57) **CLAIM**

The ornamental design for furniture seating, as shown and described.

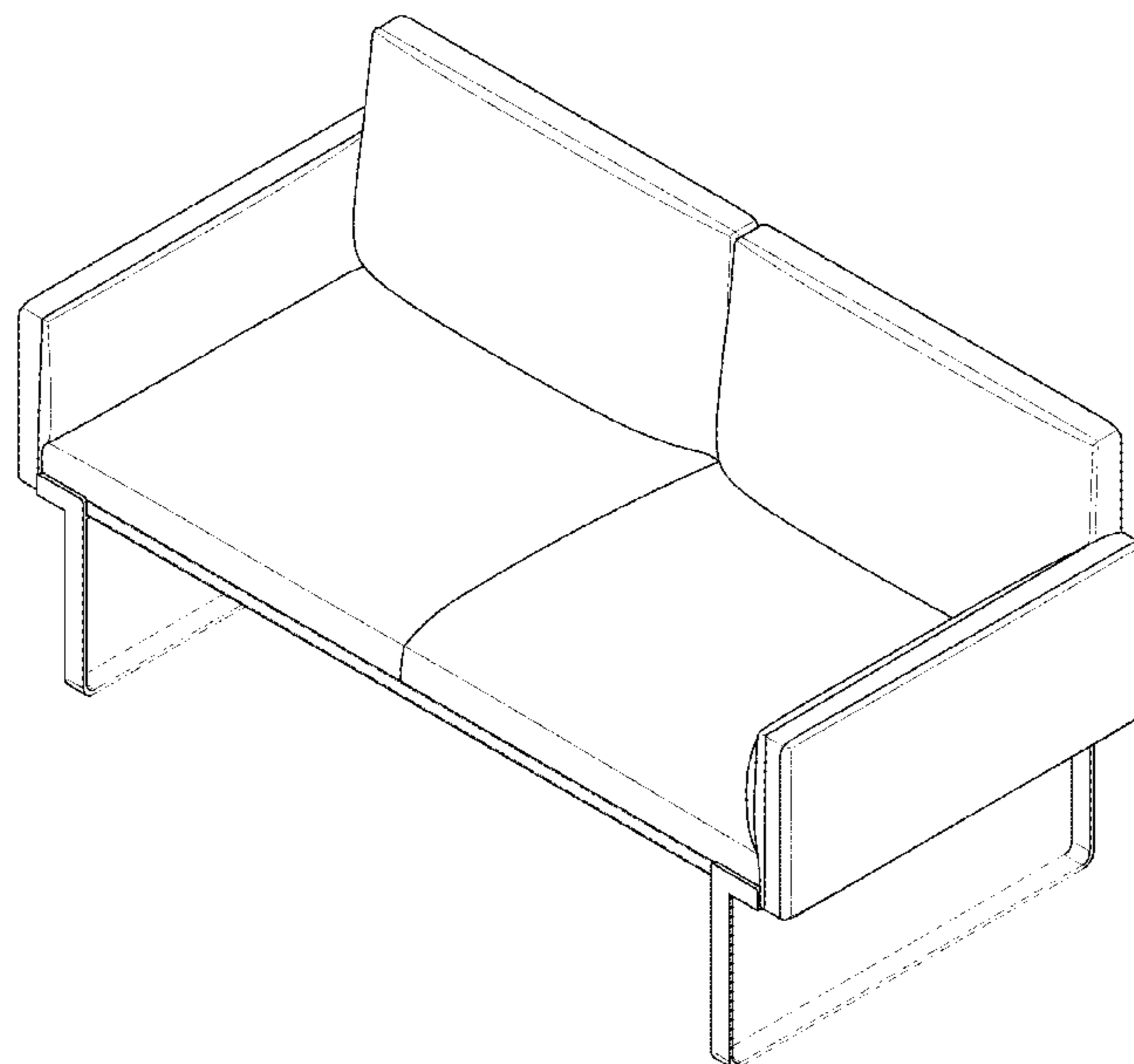
**DESCRIPTION**

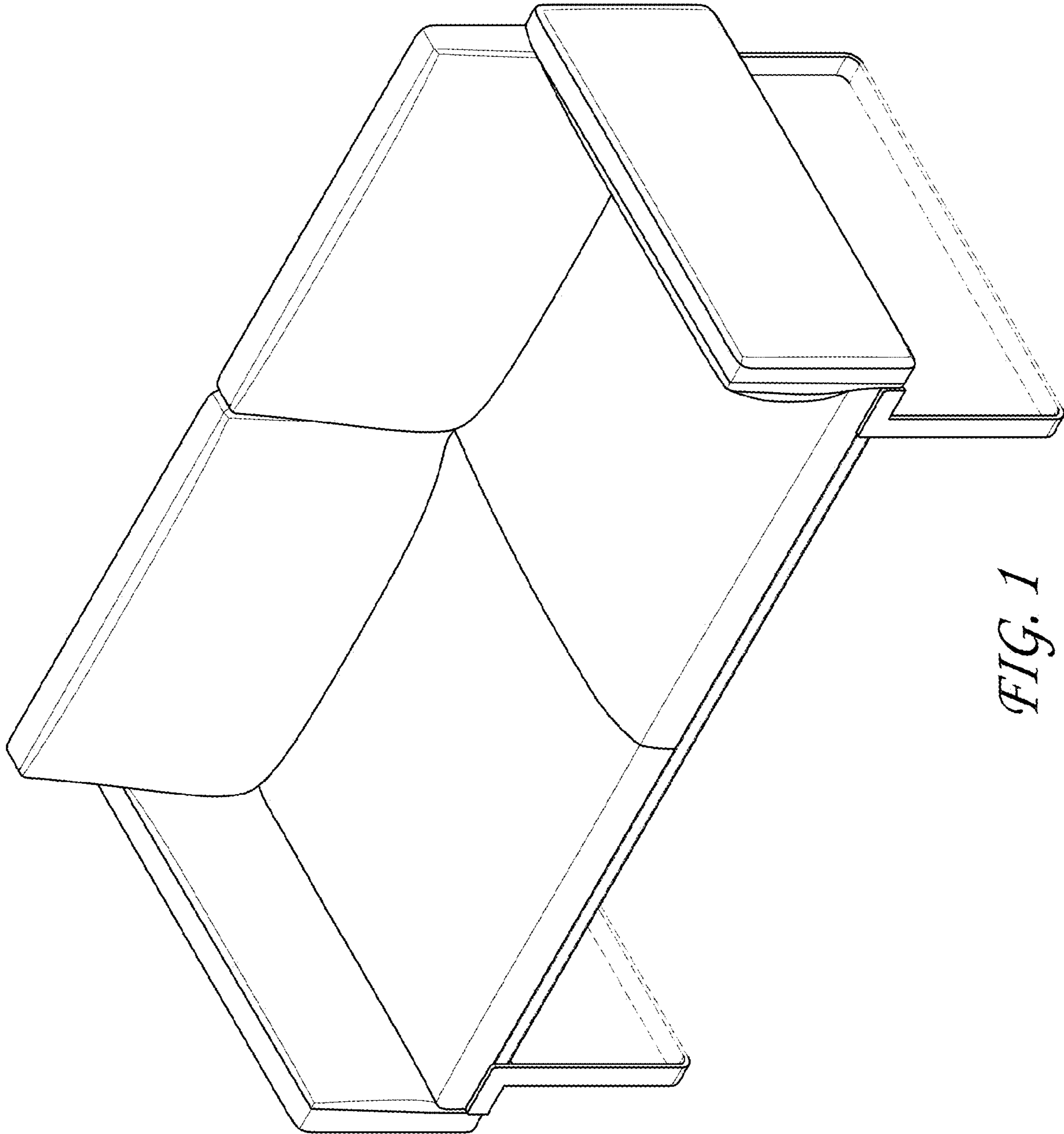
FIG. 1 is a top, front, and right-side perspective view of a furniture seating;  
FIG. 2 is a bottom, rear, and left-side perspective view thereof;  
FIG. 3 is a front elevational view thereof;  
FIG. 4 is a rear elevational view thereof;  
FIG. 5 is a left-side elevational view thereof;  
FIG. 6 is a right-side elevational thereof;  
FIG. 7 is a top plan view thereof; and,  
FIG. 8 is a bottom plan view thereof.  
The broken lines in the figures depict portions of the furniture seating that form no part of the claimed design.

**1 Claim, 8 Drawing Sheets**

(56) **References Cited**  
U.S. PATENT DOCUMENTS

D448,946 S \* 10/2001 Goetz ..... D6/381  
D498,074 S \* 11/2004 Gomez ..... D6/381  
D562,020 S \* 2/2008 Massaud ..... D6/373  
D583,585 S \* 12/2008 Weiss ..... D6/381  
D591,970 S \* 5/2009 Weiss ..... D6/381  
D603,617 S \* 11/2009 Weiss ..... D6/381  
D614,419 S \* 4/2010 Andersen ..... D6/381  
D655,537 S \* 3/2012 Ruitter ..... D6/709  
D709,712 S \* 7/2014 Jehs ..... D6/381  
D718,069 S \* 11/2014 Marion ..... D6/381  
D730,076 S \* 5/2015 Lange ..... D6/381  
D737,615 S \* 9/2015 Nishikawa ..... D6/371  
D762,998 S \* 8/2016 Warren ..... D6/371  
D841,992 S \* 3/2019 Kershner ..... D6/335





*FIG. 1*

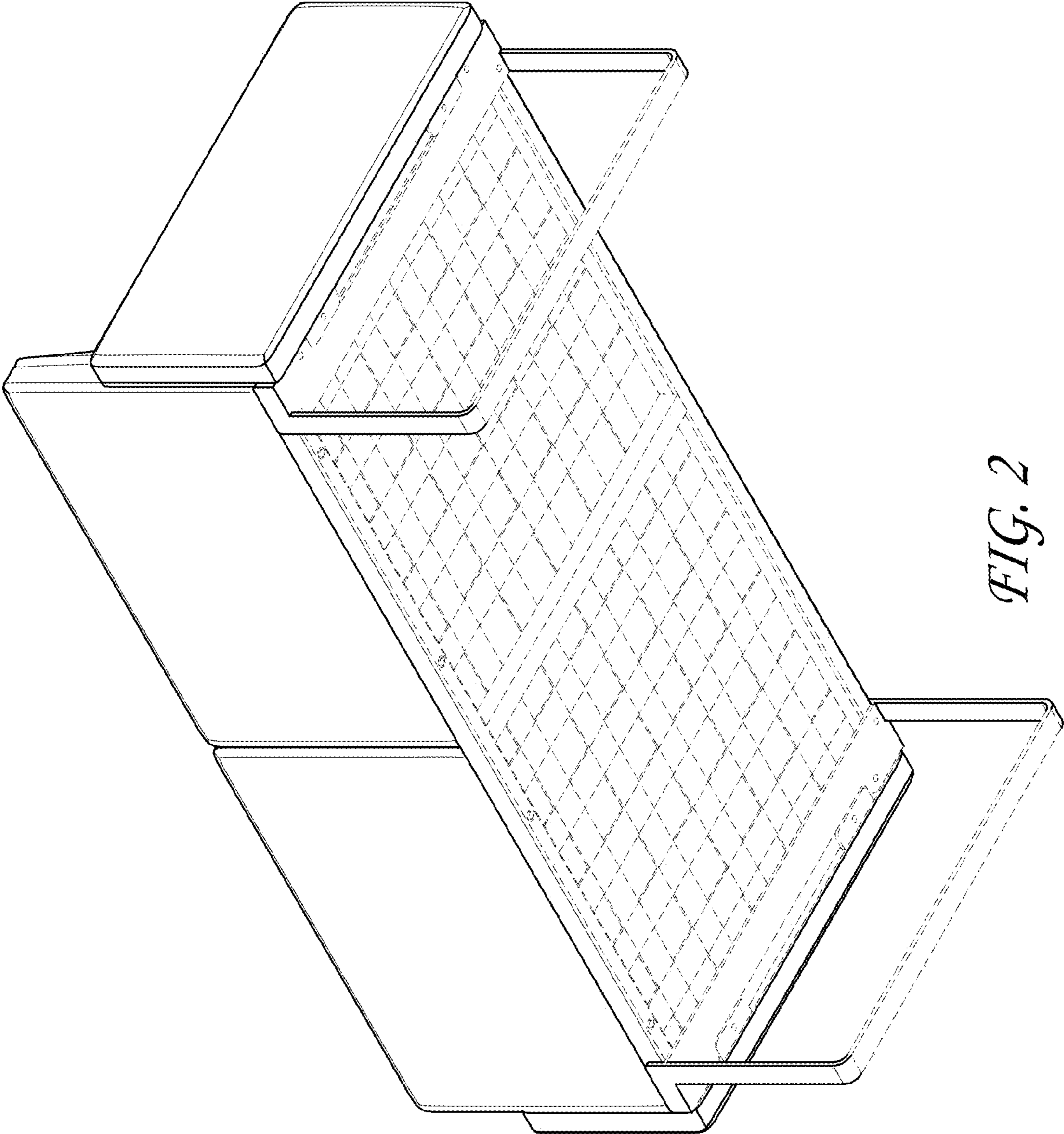
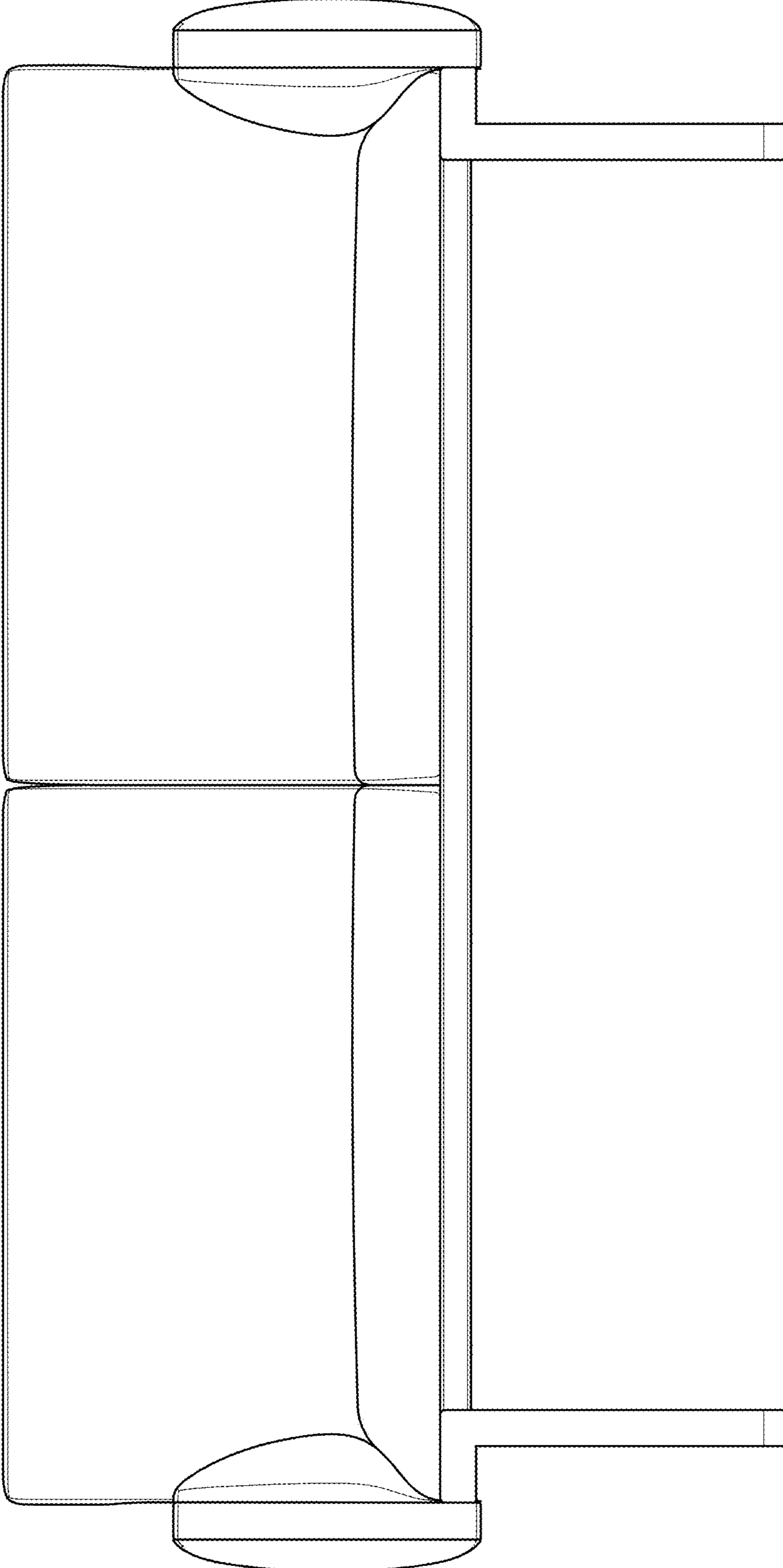
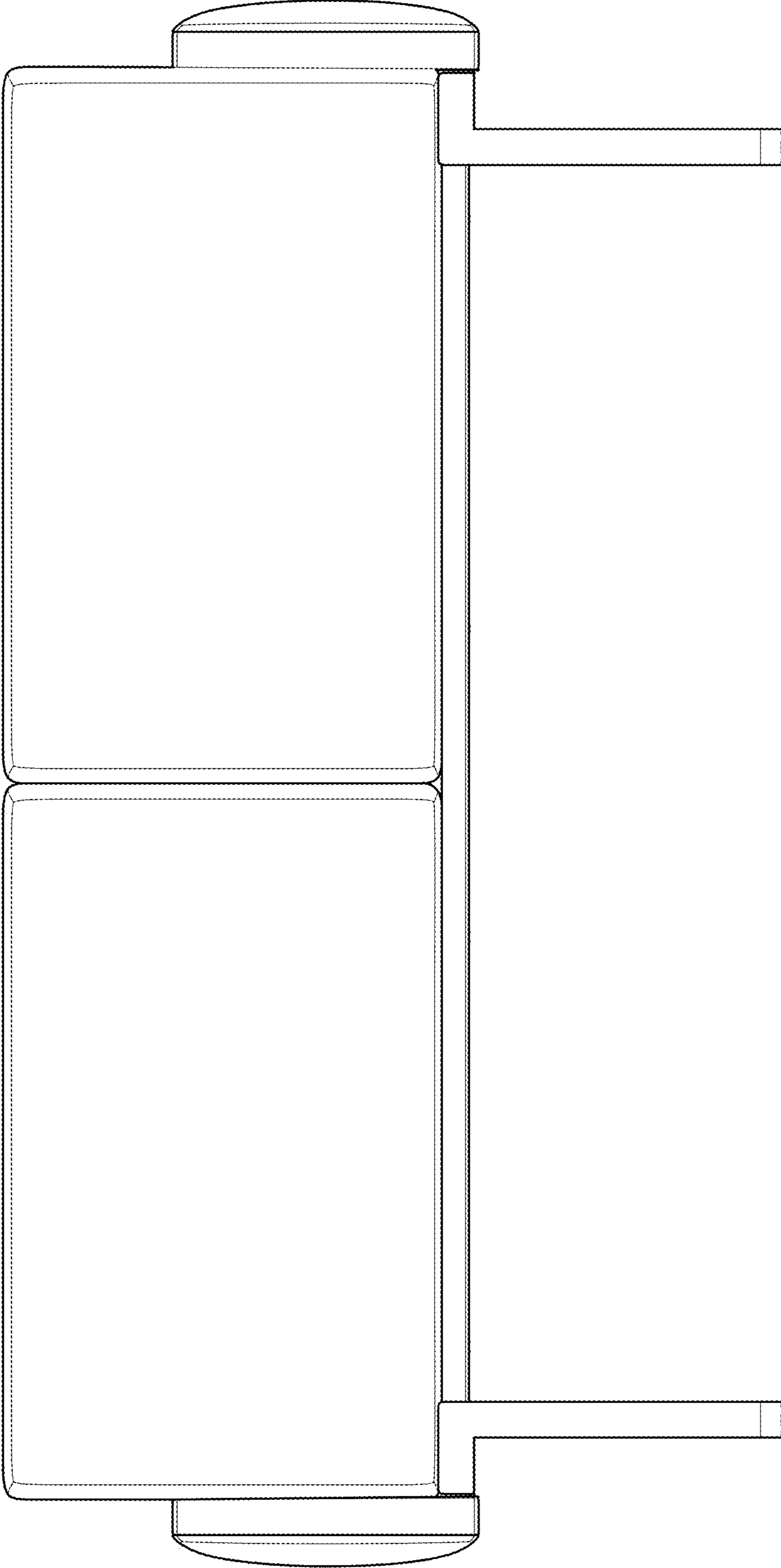


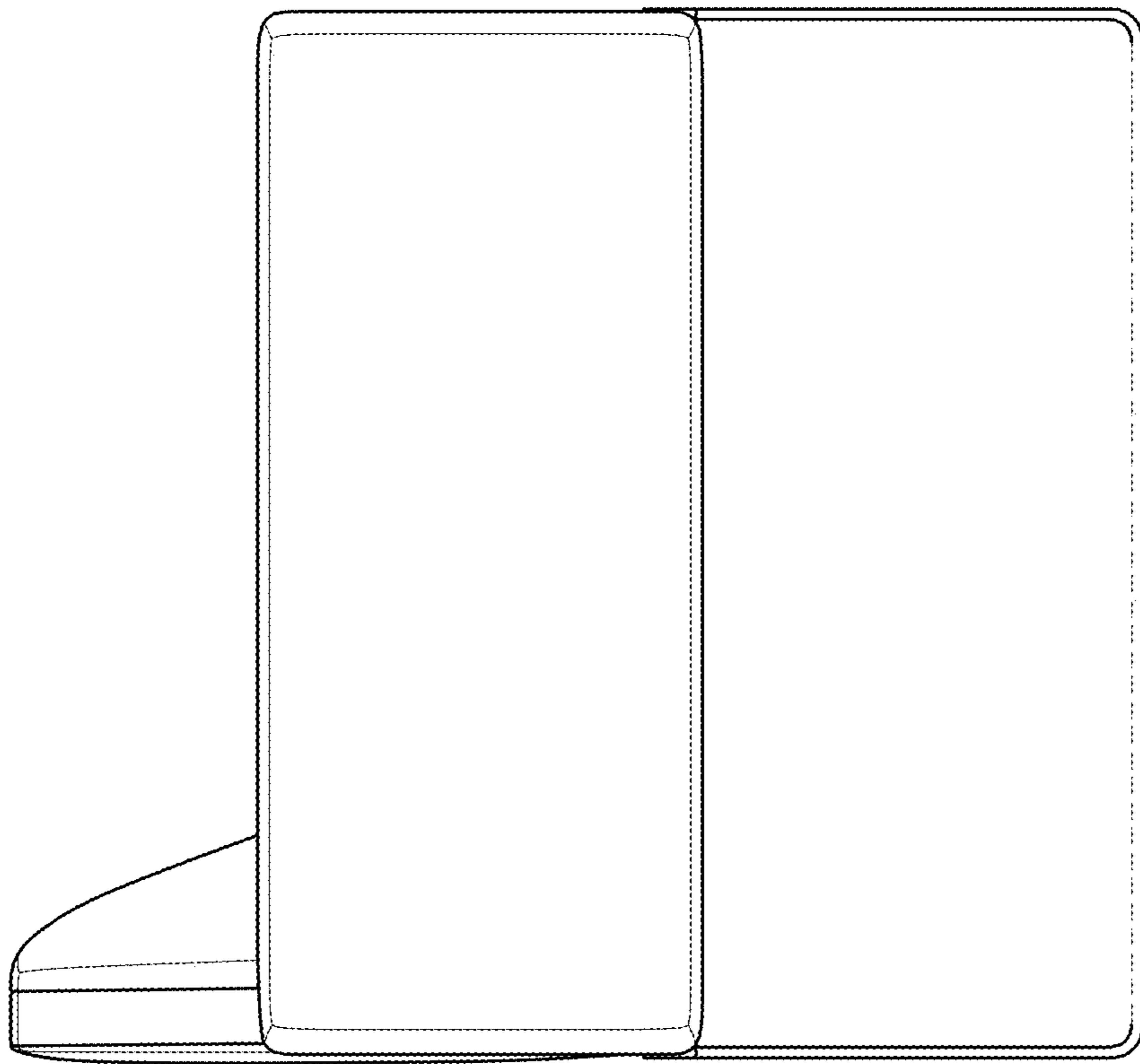
FIG. 2



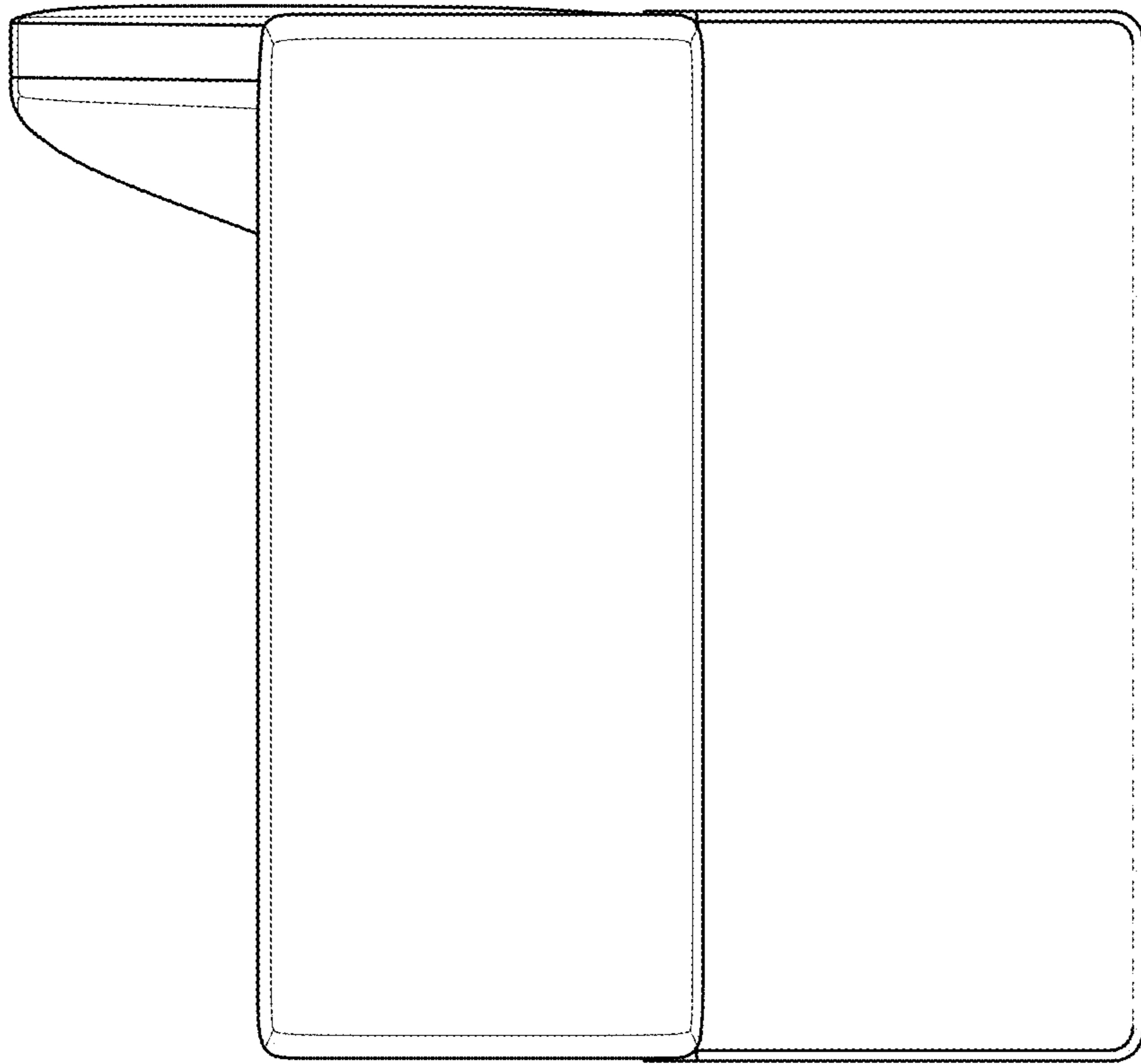
*FIG. 3*



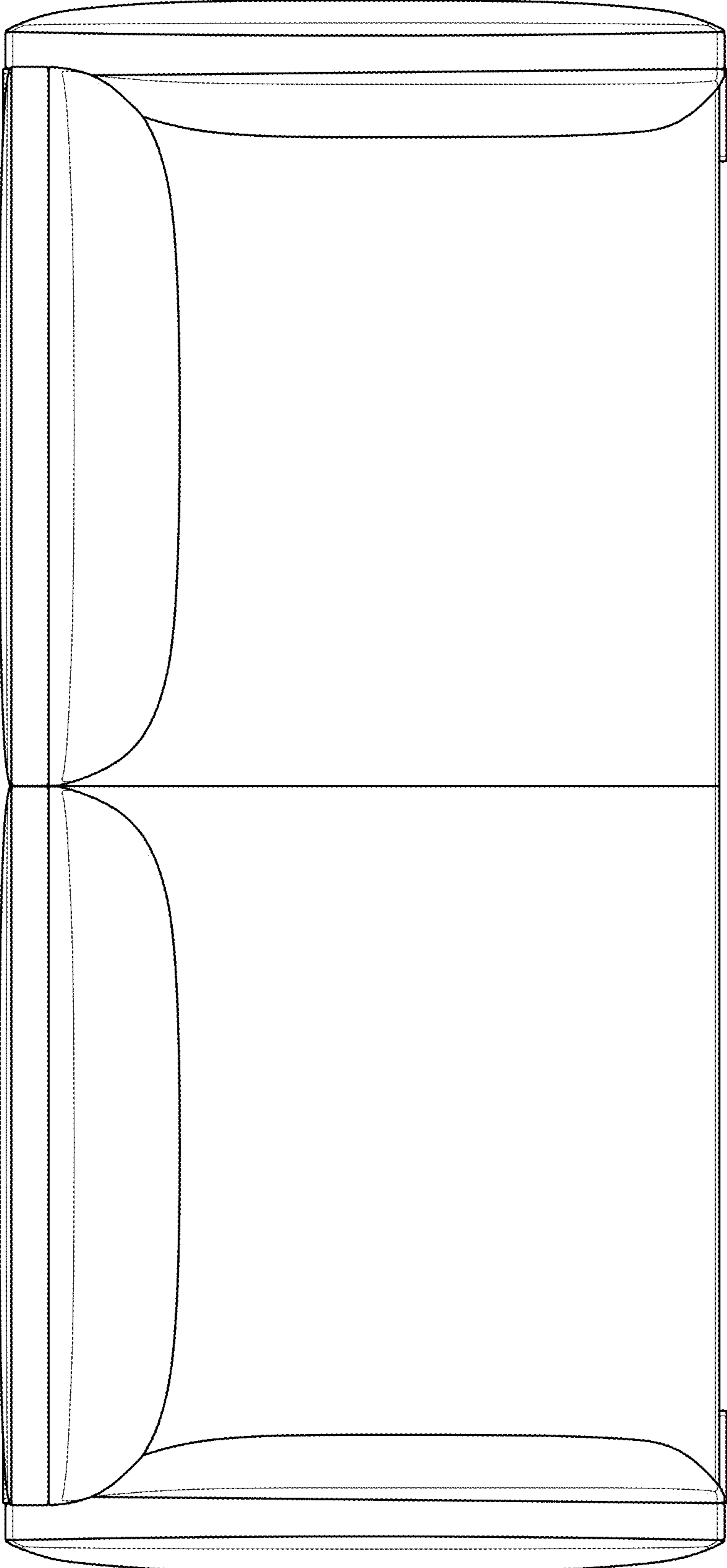
*FIG. 4*



*FIG. 5*

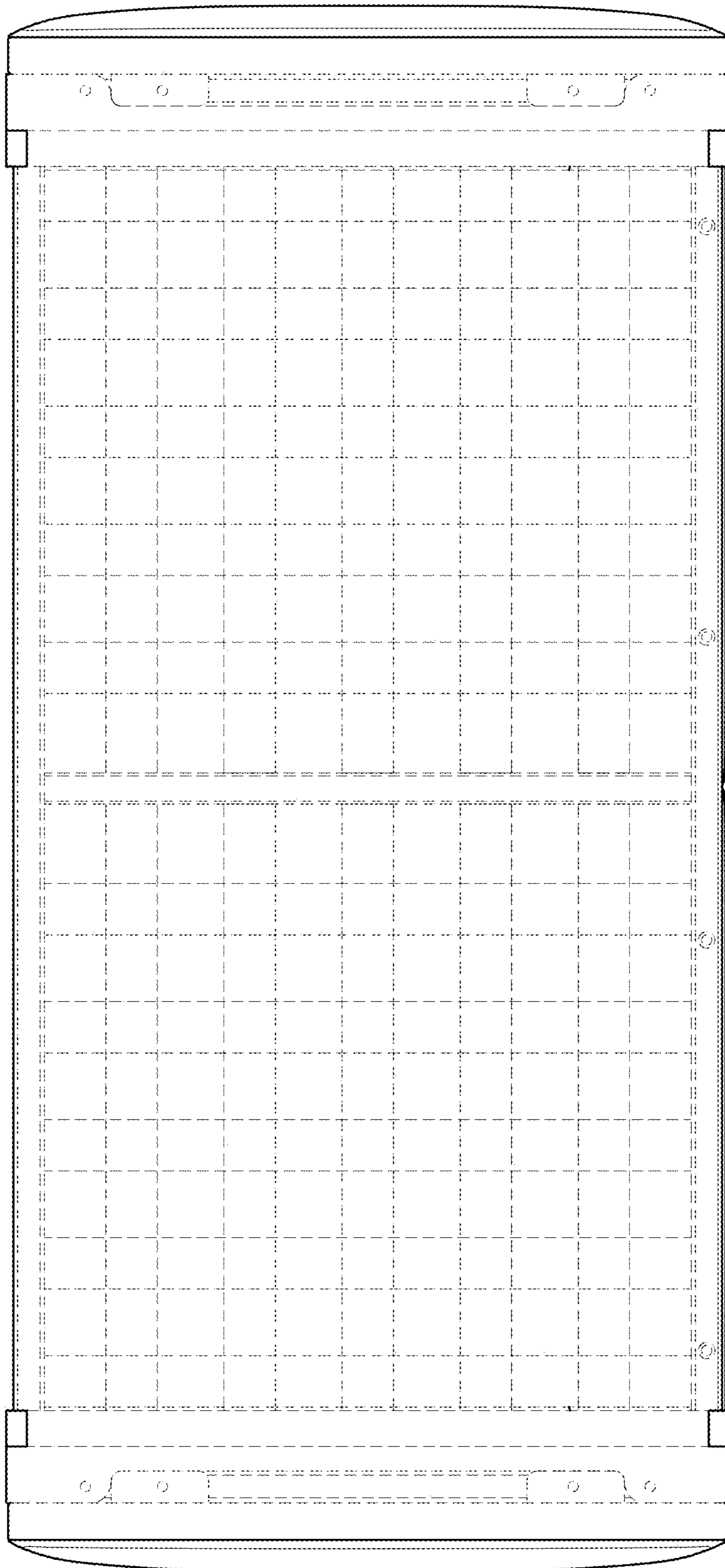


*FIG. 6*



*FIG. 7*





*FIG. 8*