



US00D890540S

(12) **United States Design Patent**
Smrstick

(10) **Patent No.:** **US D890,540 S**

(45) **Date of Patent:** **** Jul. 21, 2020**

(54) **CHAIR OR STOOL**

D836,934 S * 1/2019 Gufler D6/380
D850,138 S * 6/2019 Taraba D6/380
D875,417 S * 2/2020 Fukasawa D6/380

(Continued)

(71) Applicant: **Blu Dot Design & Manufacturing, Inc.**, Minneapolis, MN (US)

(72) Inventor: **Scott Smrstick**, Minneapolis, MN (US)

(73) Assignee: **Blu Dot Design & Manufacturing, Inc.**, Minneapolis, MN (US)

(**) Term: **15 Years**

(21) Appl. No.: **29/685,051**

(22) Filed: **Mar. 26, 2019**

(51) **LOC (12) Cl.** **06-01**

(52) **U.S. Cl.**

USPC **D6/373**; D6/380

(58) **Field of Classification Search**

USPC D6/373, 374, 375, 716, 369, 716.4, 360, D6/380, 348, 334, 361, 364, 377, 677, D6/341, 349, 350, 352, 353, 379, 381, D6/370, 717, 358, 708.16, 336, 357, 362, D6/363, 365, 366, 371; 297/217.1, 440.1, 297/440.21, 452.14

CPC .. A47C 11/00; A47C 4/02; A47C 4/03; A47C 4/08; A47C 4/024; A47C 4/025; A47C 4/028; A47C 5/04; A47C 7/16; A47C 5/12; A47C 7/36; A47C 7/40; A47C 9/007; A47C 13/023; A47C 5/08; A47C 17/175; A47C 13/005; A47C 11/005

See application file for complete search history.

(56) **References Cited**

U.S. PATENT DOCUMENTS

D158,508 S * 5/1950 Saarinen D6/374
3,142,514 A * 7/1964 Ginat A47C 7/002
297/451.3
6,997,513 B2 * 2/2006 Ige A47C 9/027
248/174
D752,355 S * 3/2016 Ballendat D6/375
D821,777 S * 7/2018 Hale D6/380
D831,989 S * 10/2018 Gufler D6/334

FOREIGN PATENT DOCUMENTS

CN 304470069 * 6/2017
GB 4033972 * 1/2014
WO D201572-010 * 3/2019

OTHER PUBLICATIONS

Bludot, Dining Chair, Date first available Dec. 31, 2018, [online]retrieved Apr. 30, 2020, available from internet, <https://www.instagram.com/bludot/> (Year: 2018).*

(Continued)

Primary Examiner — Keli L Hill

Assistant Examiner — Sara S Sahneh

(74) *Attorney, Agent, or Firm* — Fredrikson & Byron, P.A.

(57) **CLAIM**

Applicant claims the ornamental design for a chair or stool, as shown and described.

DESCRIPTION

FIG. 1 is a front upper perspective view of a chair or stool of Applicant's design;

FIG. 2 is a front elevational view thereof;

FIG. 3 is a rear elevational view thereof;

FIG. 4 is a first side elevational view thereof;

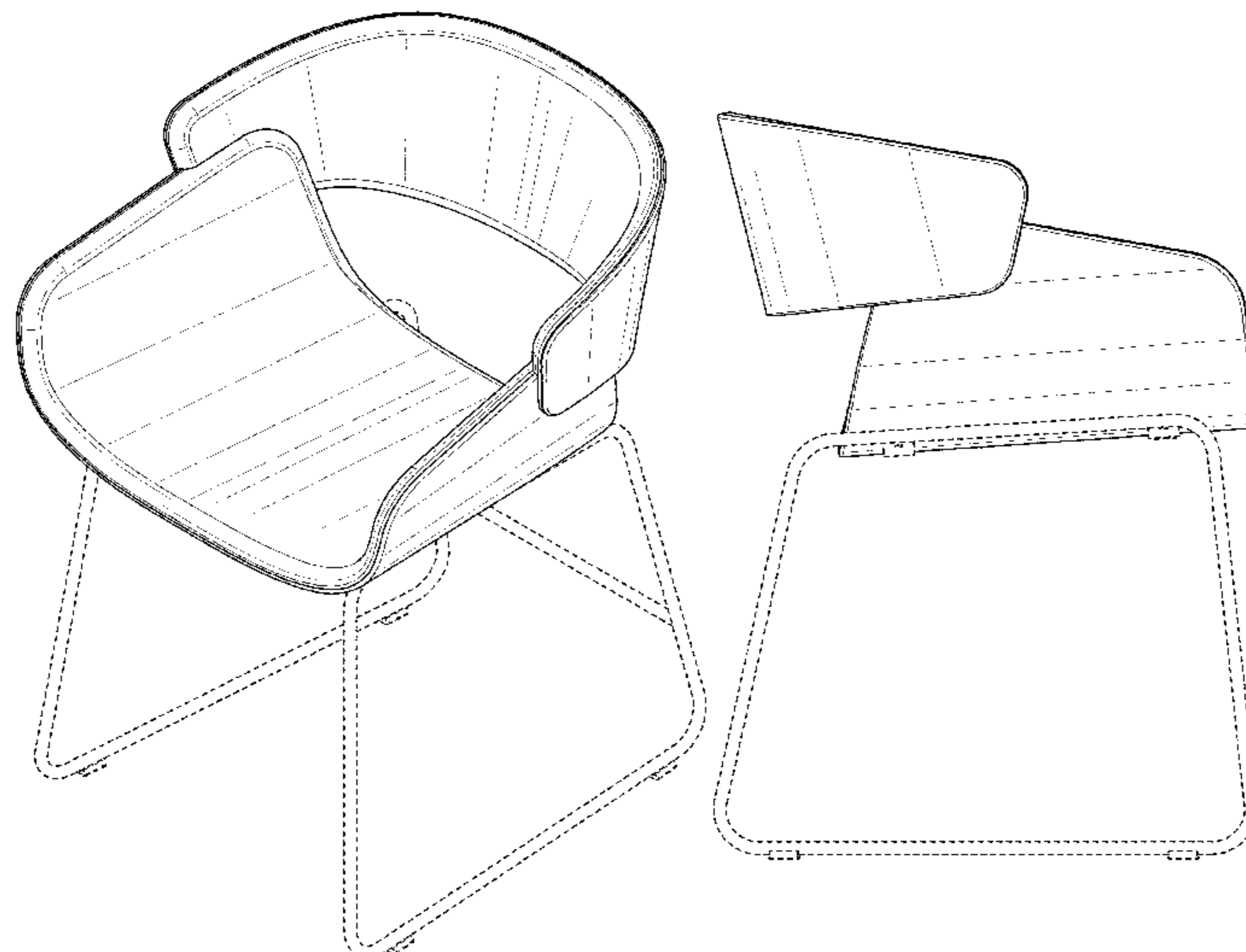
FIG. 5 is a second side elevational view thereof, the second side elevational view being opposite the first side elevational view;

FIG. 6 is a top plan view thereof; and,

FIG. 7 is a bottom plan view thereof.

Where included, broken lines showing environment or structure are for illustrative purposes only and form no part of the claimed design.

1 Claim, 7 Drawing Sheets



(56)

References Cited

U.S. PATENT DOCUMENTS

D879,496 S * 3/2020 Velez D6/380
D880,888 S * 4/2020 Pevere D6/380

OTHER PUBLICATIONS

Blu Dot, Racer Dining Chair,—Modern Fabric Dining Chair, [online]retrieved Apr. 30, 2020, available from internet, <https://www.bludot.com/racer-dining-chair.html> (Year: 2020).*

Ivinta, Modern Living Dining Room Accent Arm Chairs, Date first available Oct. 31, 2019, [online]retrieved Apr. 30, 2020, available from internet, www.amazon.com (Year: 2019).*

LumiSource, Vintage Mod Chair, Date first available Sep. 25, 2018, [online]retrieved Apr. 30, 2020, available from internet, www.amazon.com (Year: 2018).*

Blu Dot Catalog No. 16, Designed in Minneapolis, Minnesota, published 2015, 44 pgs.

Blu Dot Catalog No. 17, Designed in Minneapolis, Minnesota, published 2015, 52 pgs.

Blu Dot Catalog No. 18, Designed in Minneapolis, Minnesota, published 2016, 51 pgs.

Blu Dot Catalog No. 19, Designed in Minneapolis, Minnesota, published 2016, 54 pgs.

Blu Dot Catalog No. 21, Cat 17F-Book A, Designed in Minneapolis, Minnesota, Applicant believes reference was published and available more than one year prior to the filing date of the instant application, 51 pgs.

Blu Dot Catalog No. 21, Cat 17F-Book B, Designed in Minneapolis, Minnesota, Applicant believes reference was published and available more than one year prior to the filing date of the instant application, 51 pgs.

Blu Dot Catalog No. 22, Cat 18S-Book B, Designed in Minneapolis, Minnesota, Applicant believes reference was published and available more than one year prior to the filing date of the instant application, 33 pgs.

Blu Dot Catalog No. 22, Cat18Sm_RGB, Designed in Minneapolis, Minnesota, Applicant believes reference was published and available more than one year prior to the filing date of the instant application, 33 pgs.

* cited by examiner

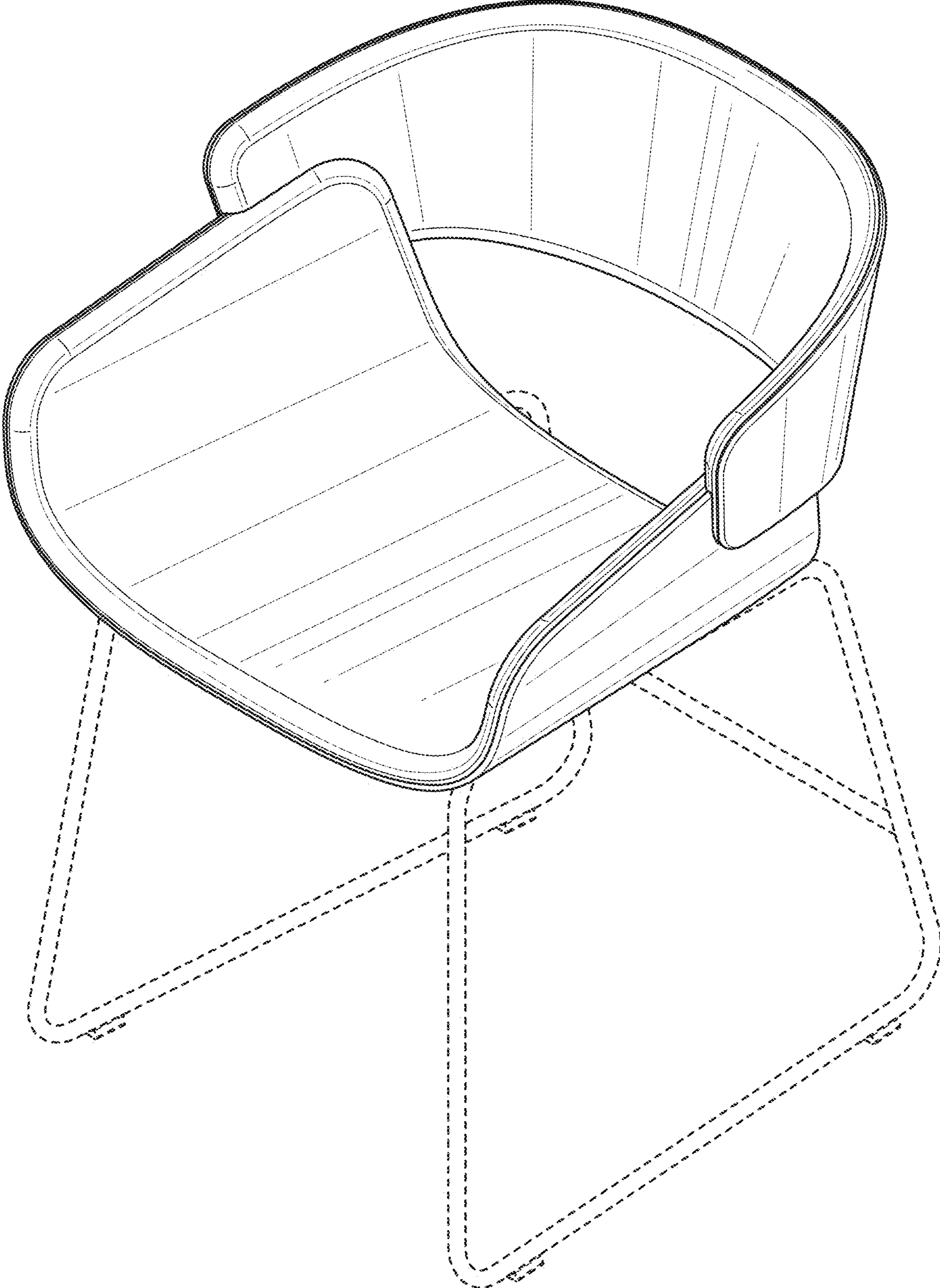


FIG. 1

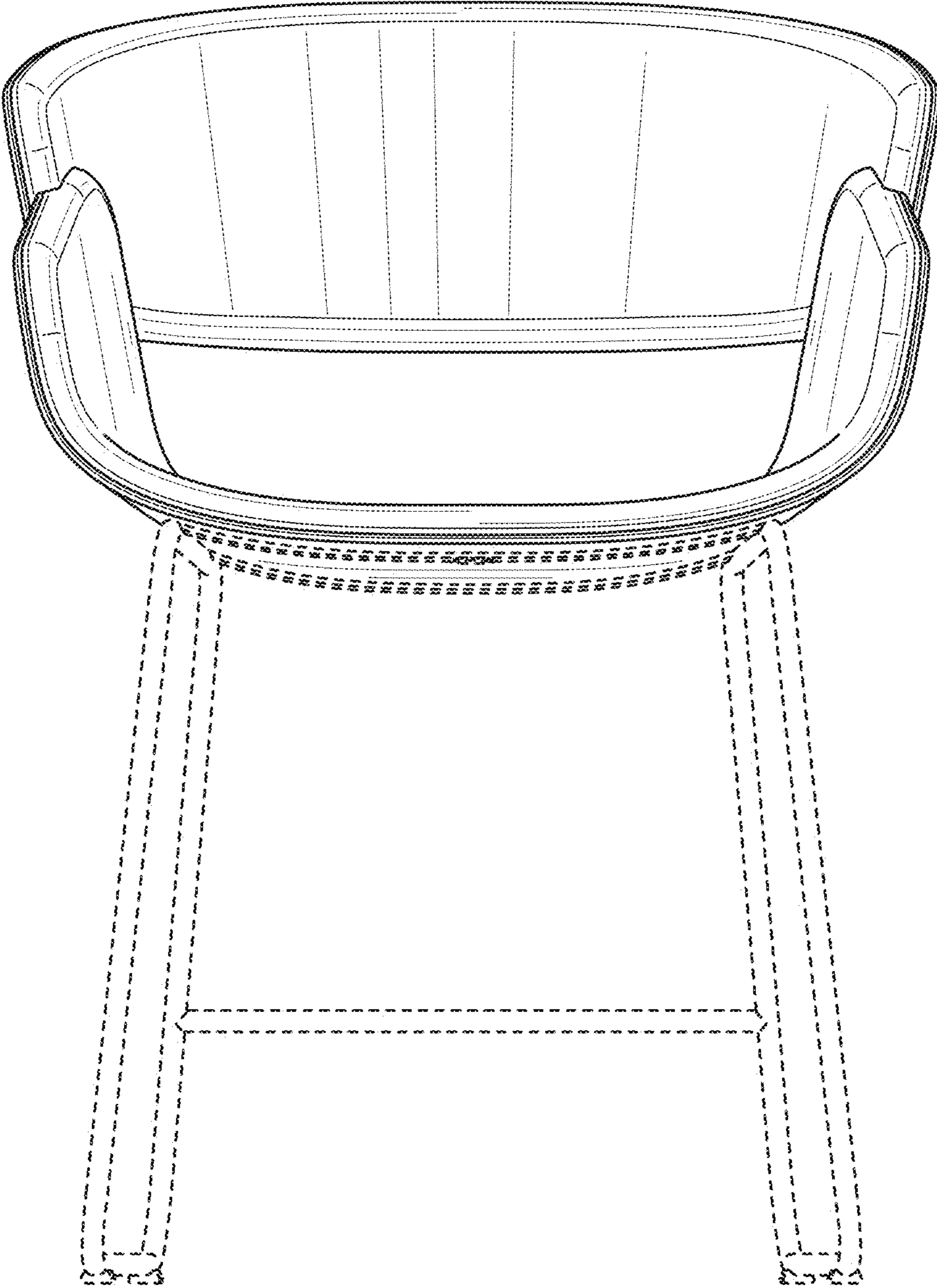


FIG. 2

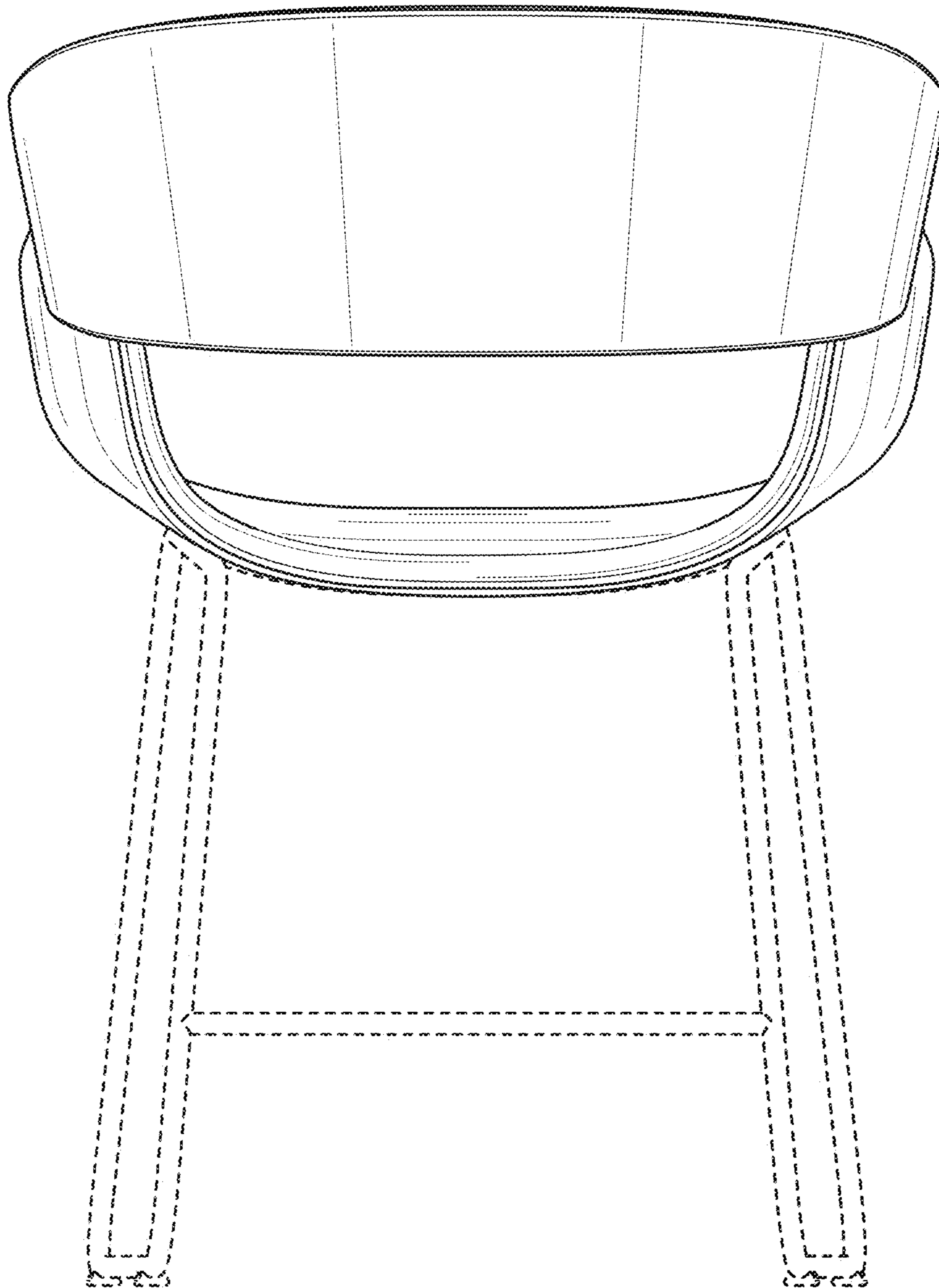


FIG. 3

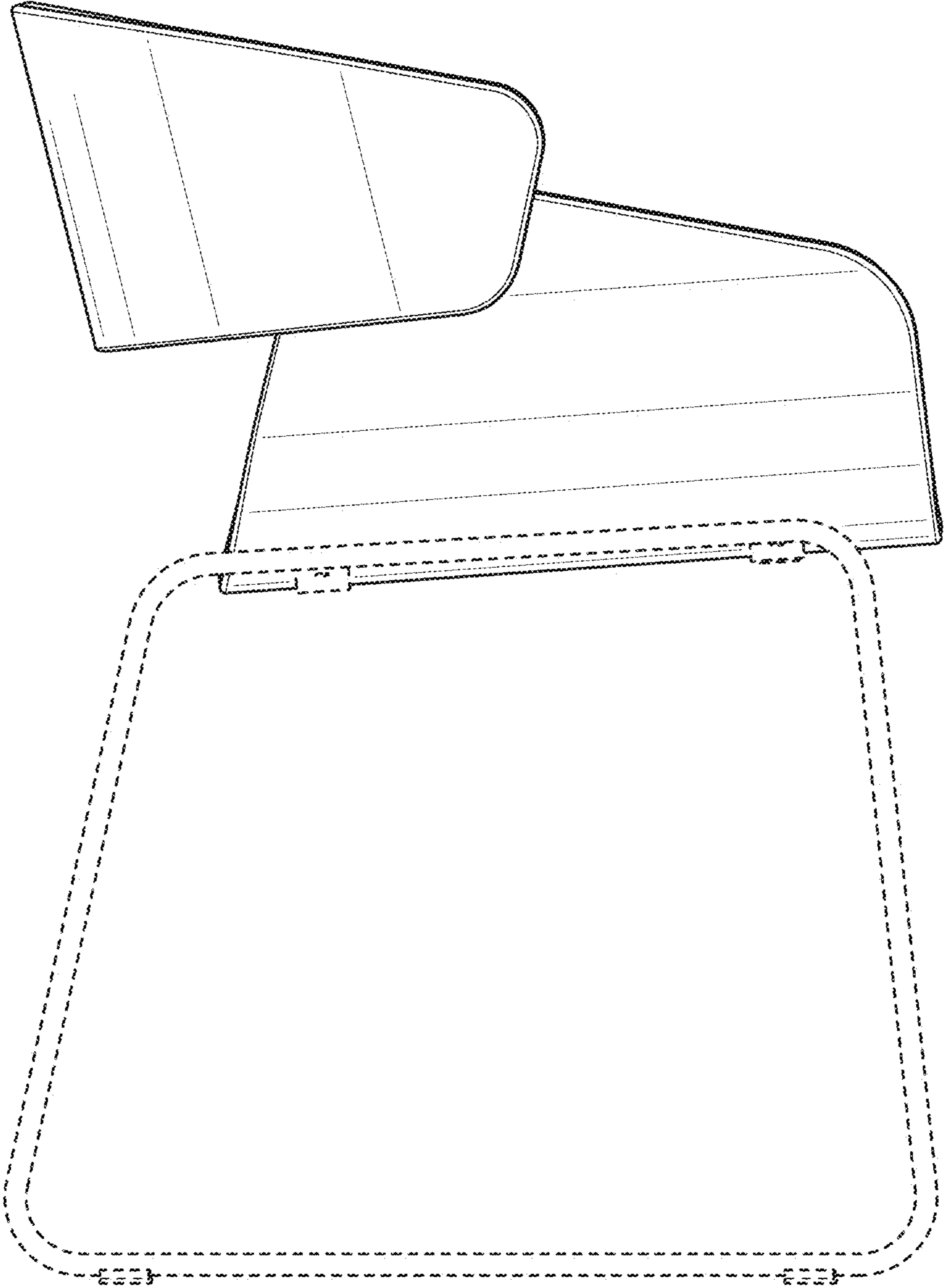


FIG. 4

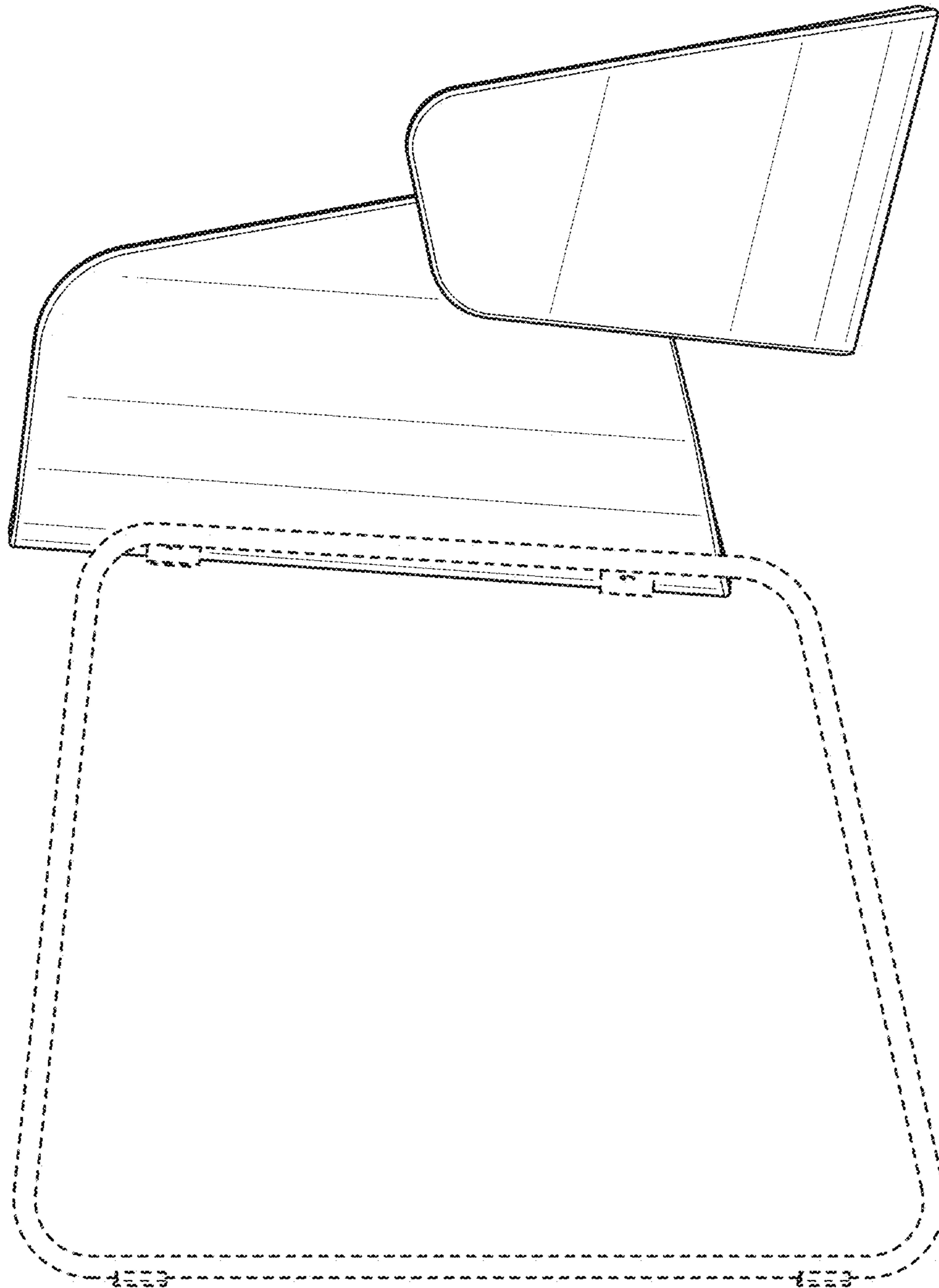


FIG. 5

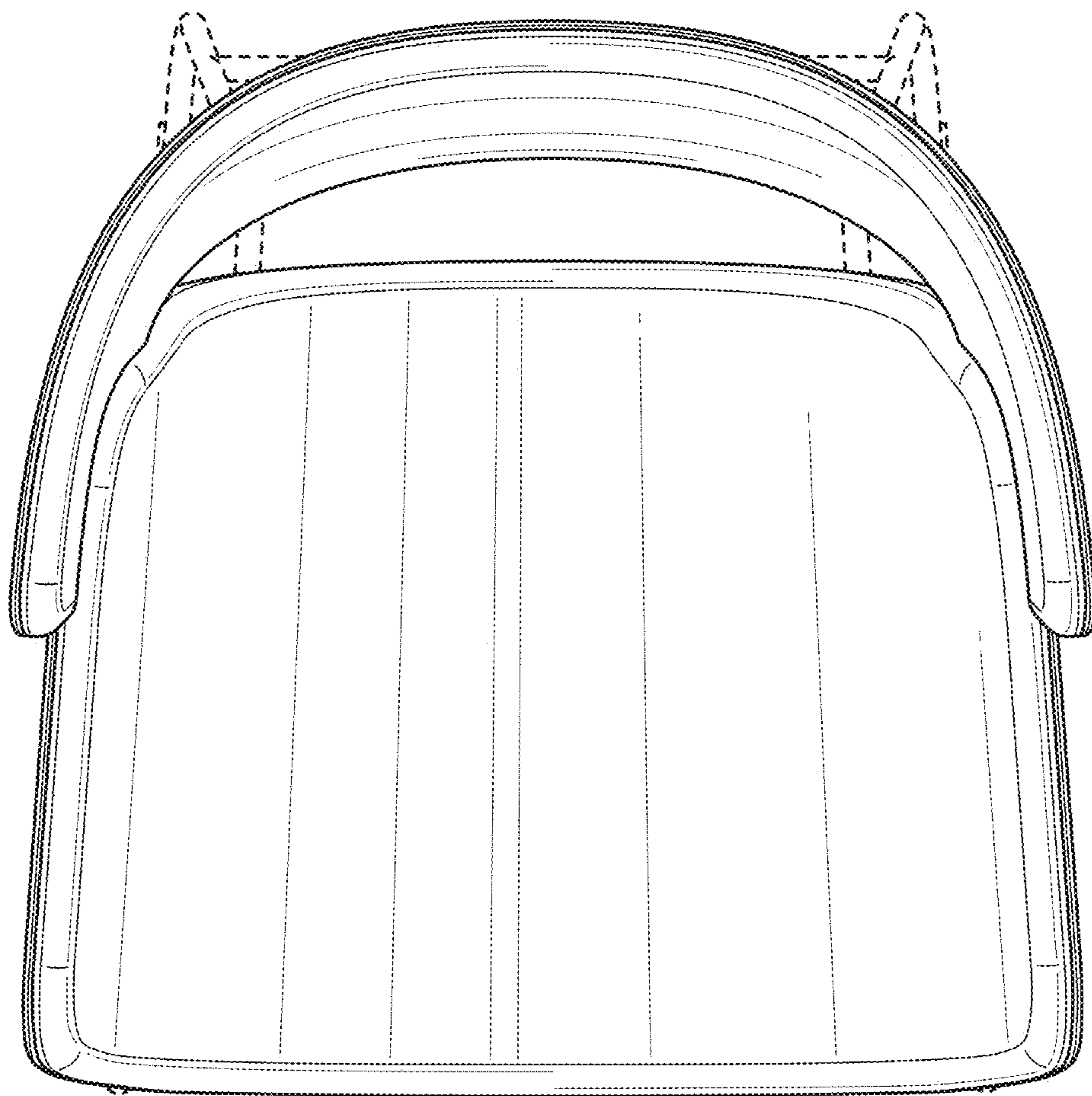


FIG. 6

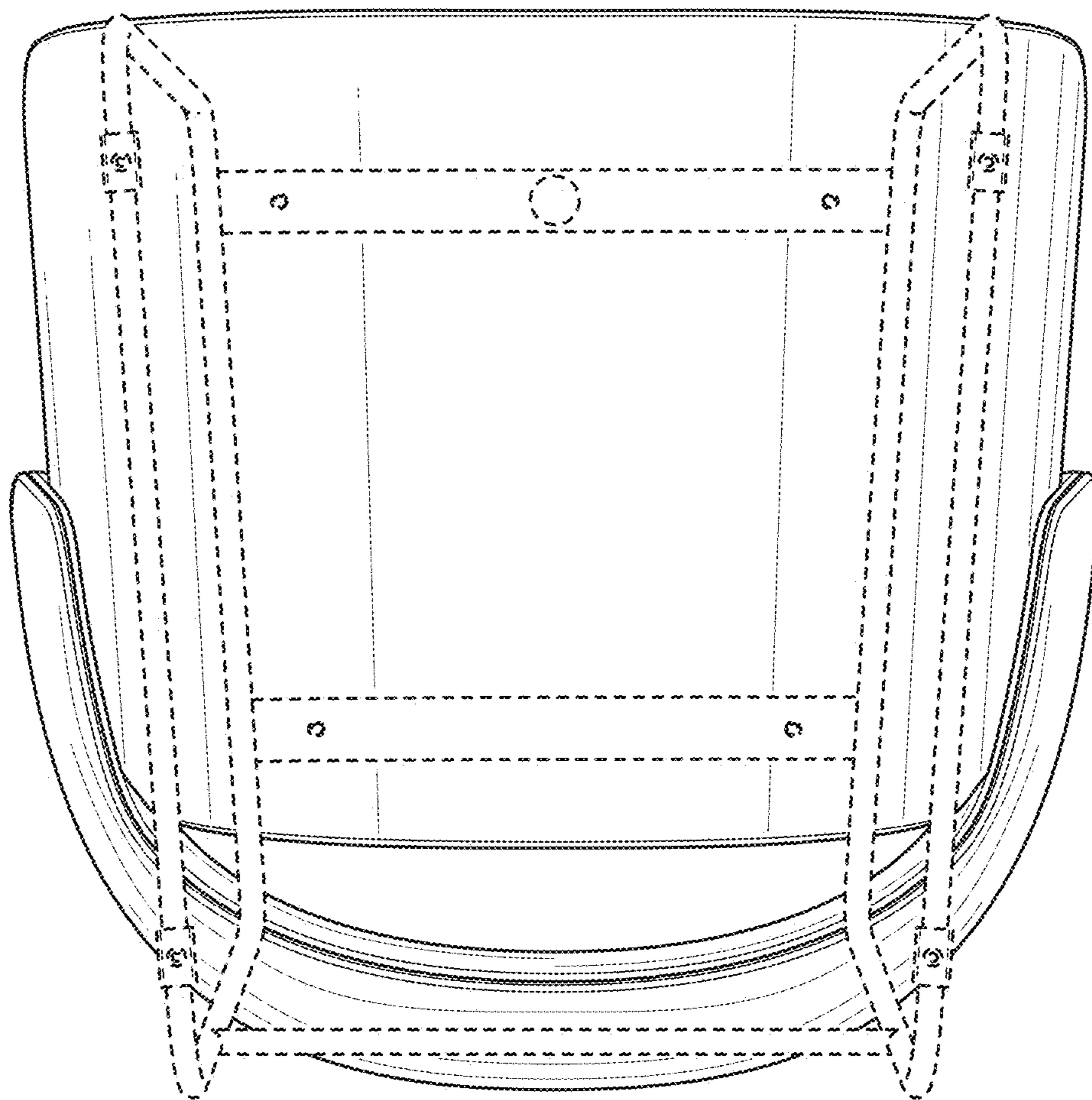


FIG. 7